



US00D438947S

(12) **United States Design Patent**
Wang

(10) **Patent No.:** **US D438,947 S**

(45) **Date of Patent:** **** Mar. 13, 2001**

(54) **GALE FAN**

5,944,488 * 8/1999 Matson 416/247 R

(76) Inventor: **Pierce Wang**, No. 46, Alley 26, Lane
667, Chung-Shan Rd., Shen-Kang
Hsiang, Taichung Hsien (TW)

* cited by examiner

Primary Examiner—Lisa Lichtenstein

(74) *Attorney, Agent, or Firm*—Bacon & Thomas, PLLC

(**) Term: **14 Years**

(57) **CLAIM**

(21) Appl. No.: **29/122,277**

The ornamental design for gale fan, as shown and described.

(22) Filed: **Apr. 24, 2000**

DESCRIPTION

(51) **LOC (7) Cl.** **23-04**

FIG. 1 is a perspective view of gale fan showing my new design thereof;

(52) **U.S. Cl.** **D23/378**

FIG. 2 is a front elevational view thereof;

(58) **Field of Search** D23/382, 381,
D23/378, 411, 412, 413, 335, 370; 416/246 R,
247 R

FIG. 3 is a rear elevational view thereof;

FIG. 4 is a left side elevational view thereof;

FIG. 5 is a right side elevational view thereof;

FIG. 6 is a top plan view thereof; and,

FIG. 7 is a bottom plan view thereof.

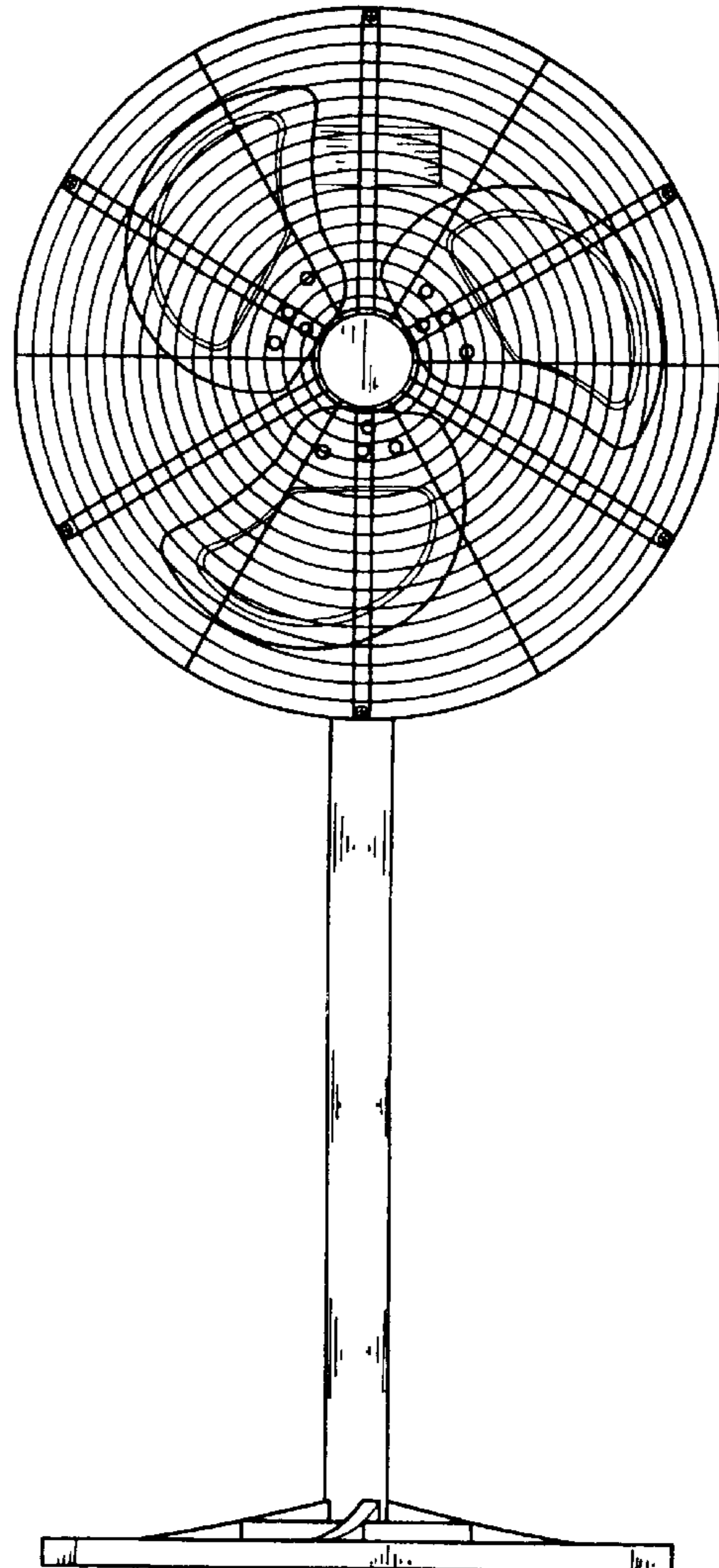
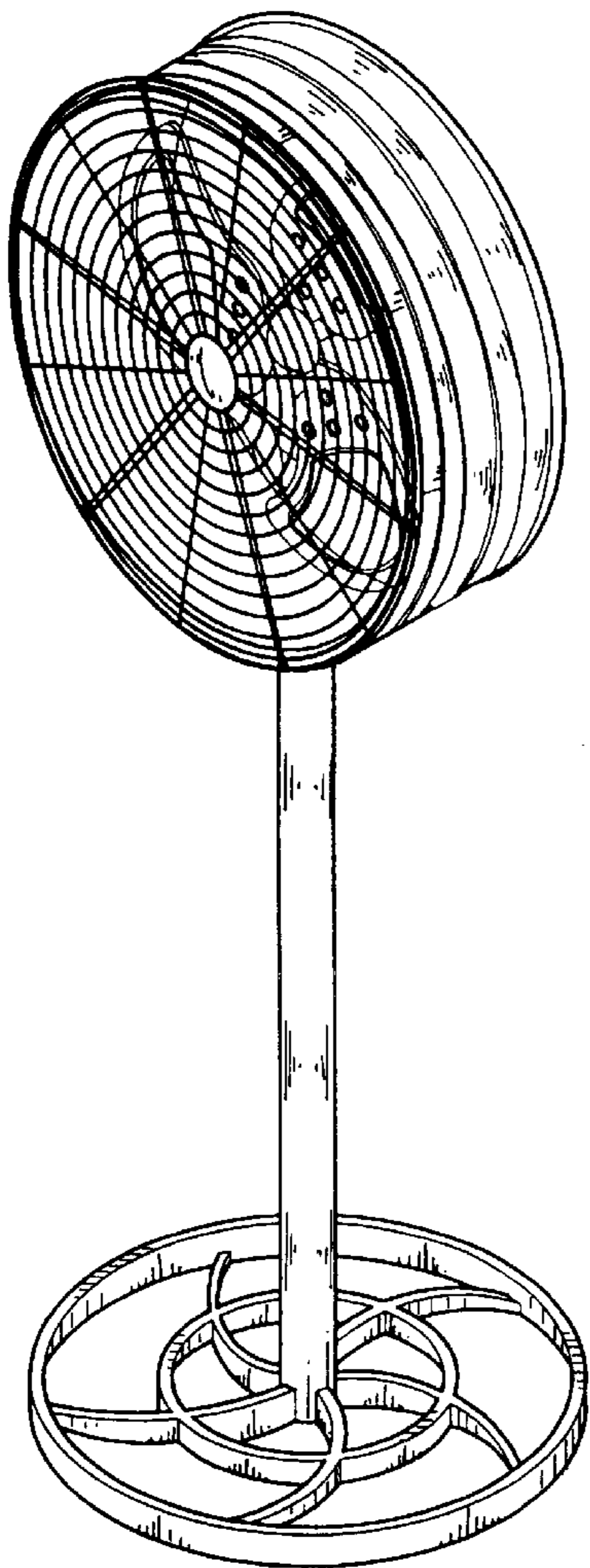
(56) **References Cited**

U.S. PATENT DOCUMENTS

D. 426,631 * 6/2000 Thakur D23/378

5,295,811 * 3/1994 Chiu 416/244 R

1 Claim, 6 Drawing Sheets



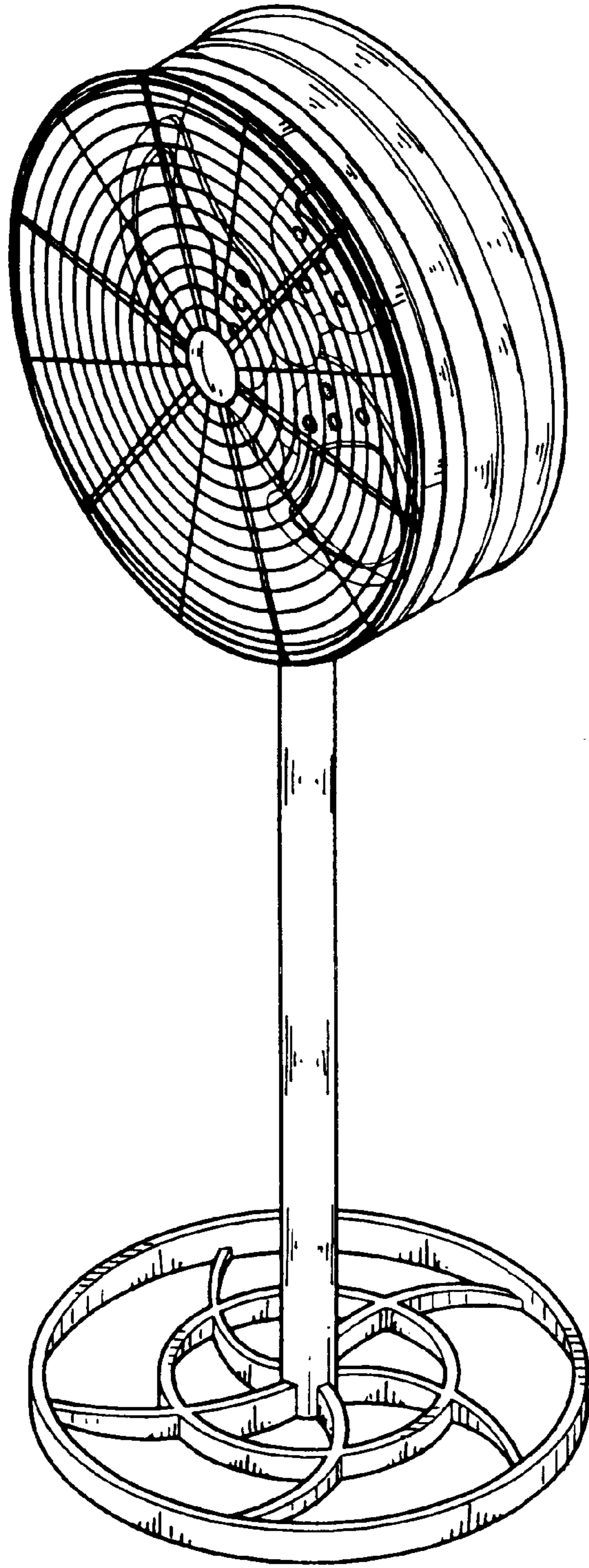


FIG. 1

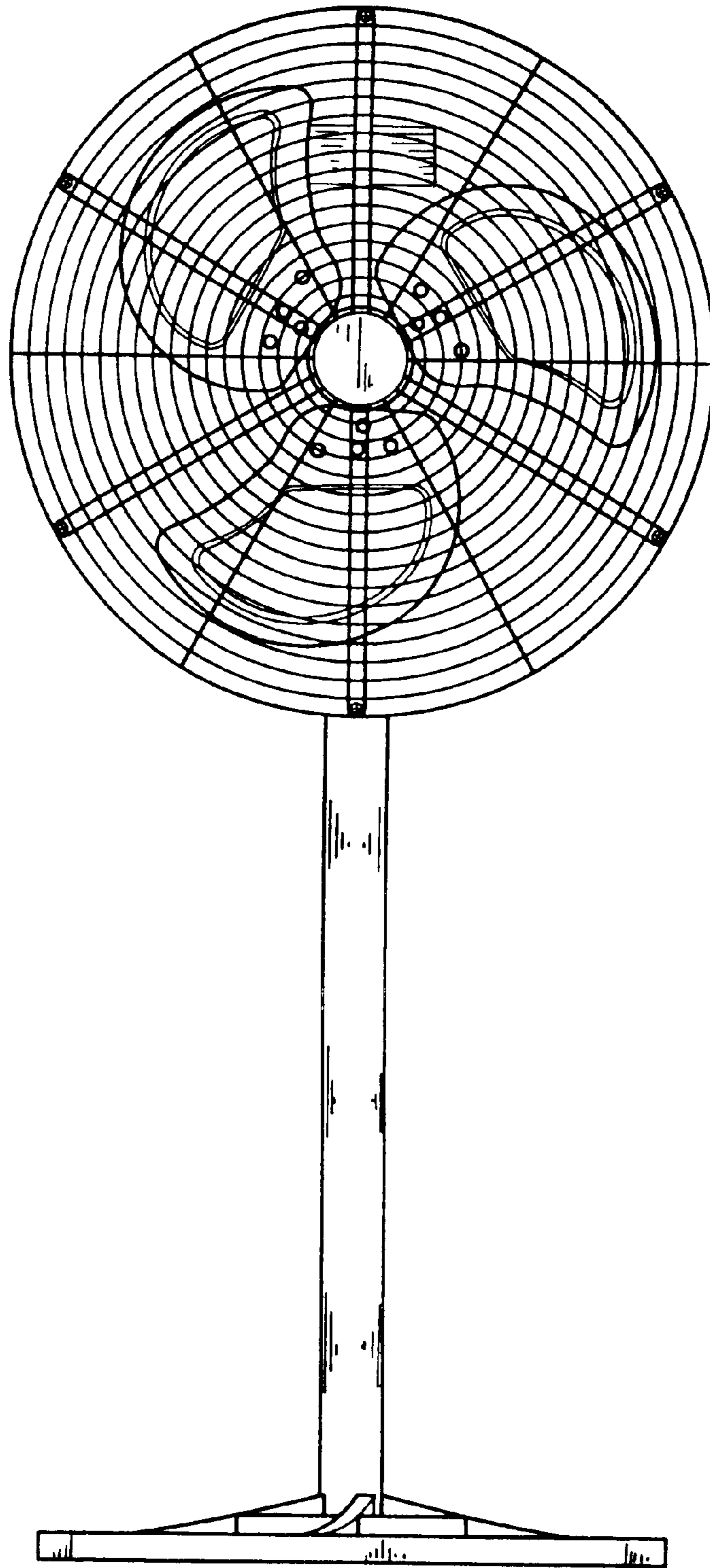


FIG. 2

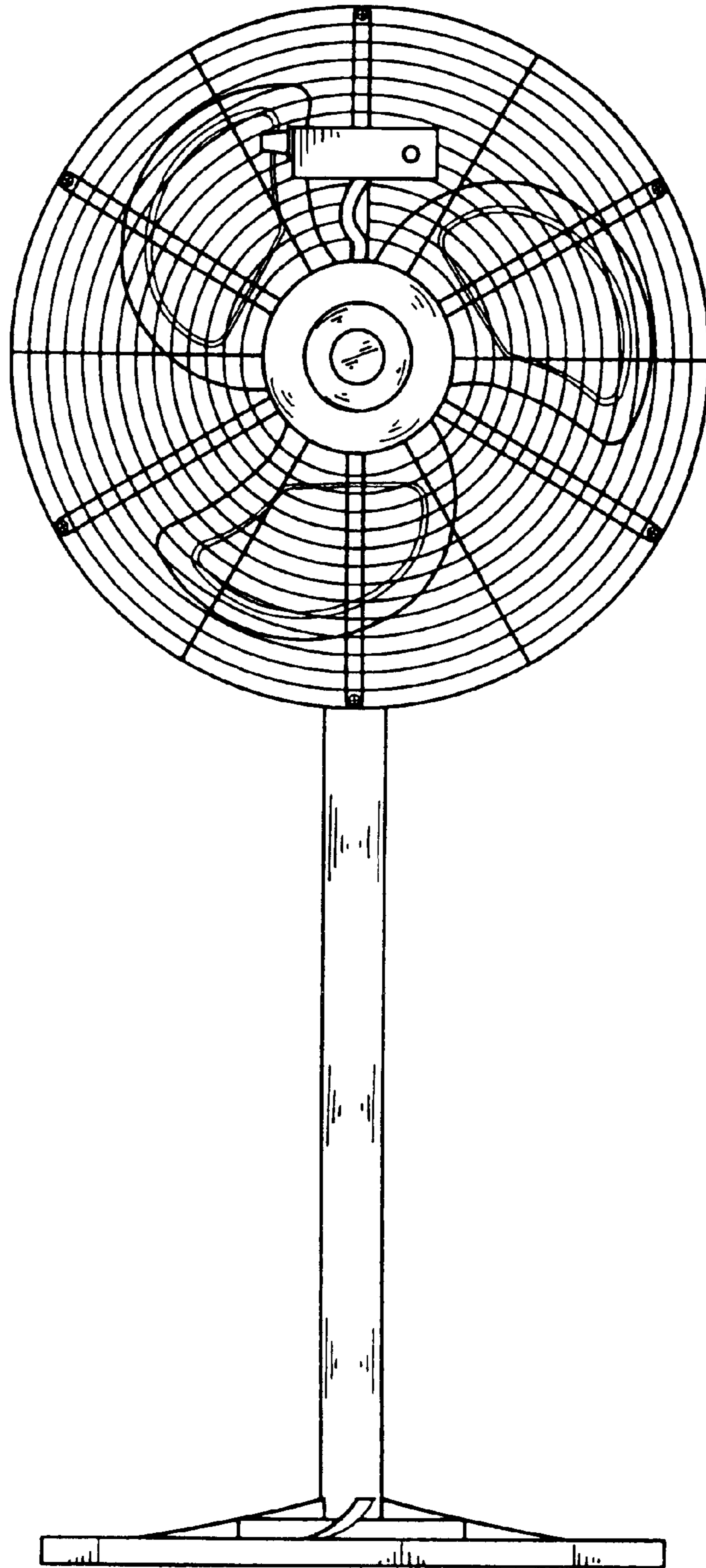
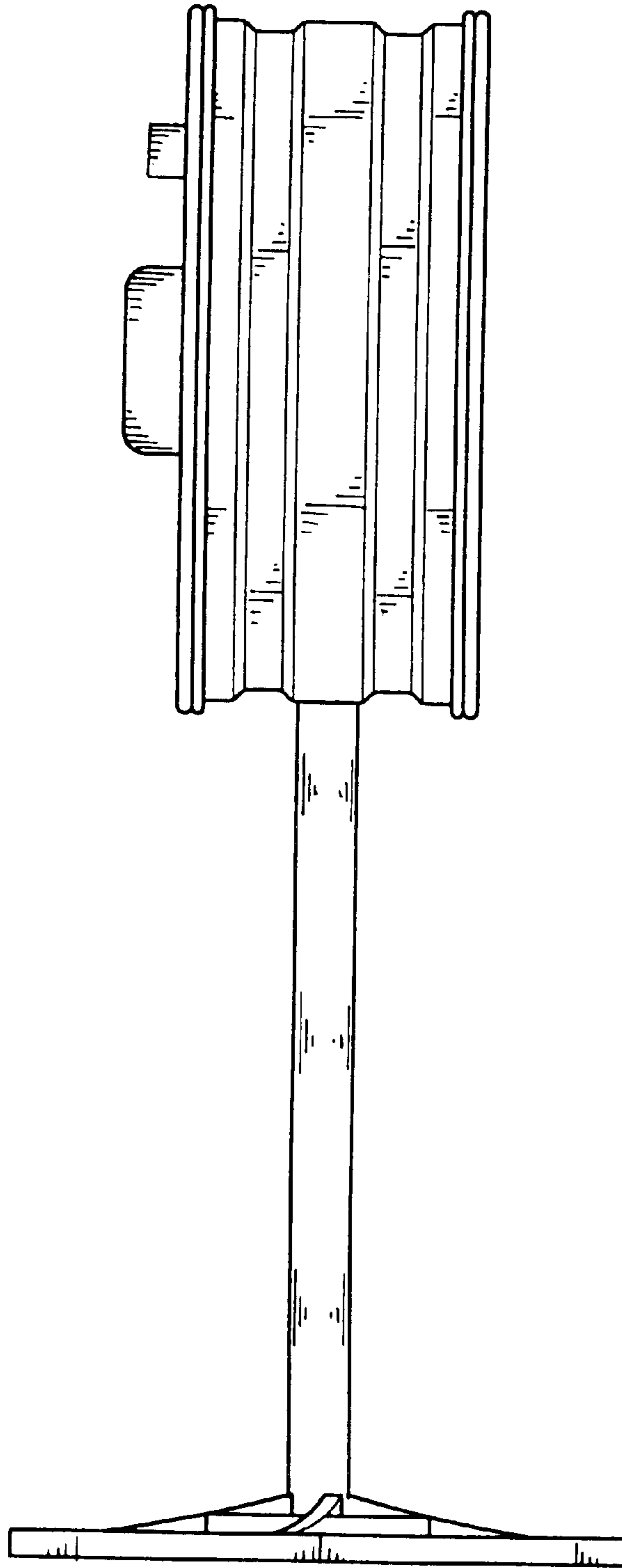


FIG. 3

FIG. 4



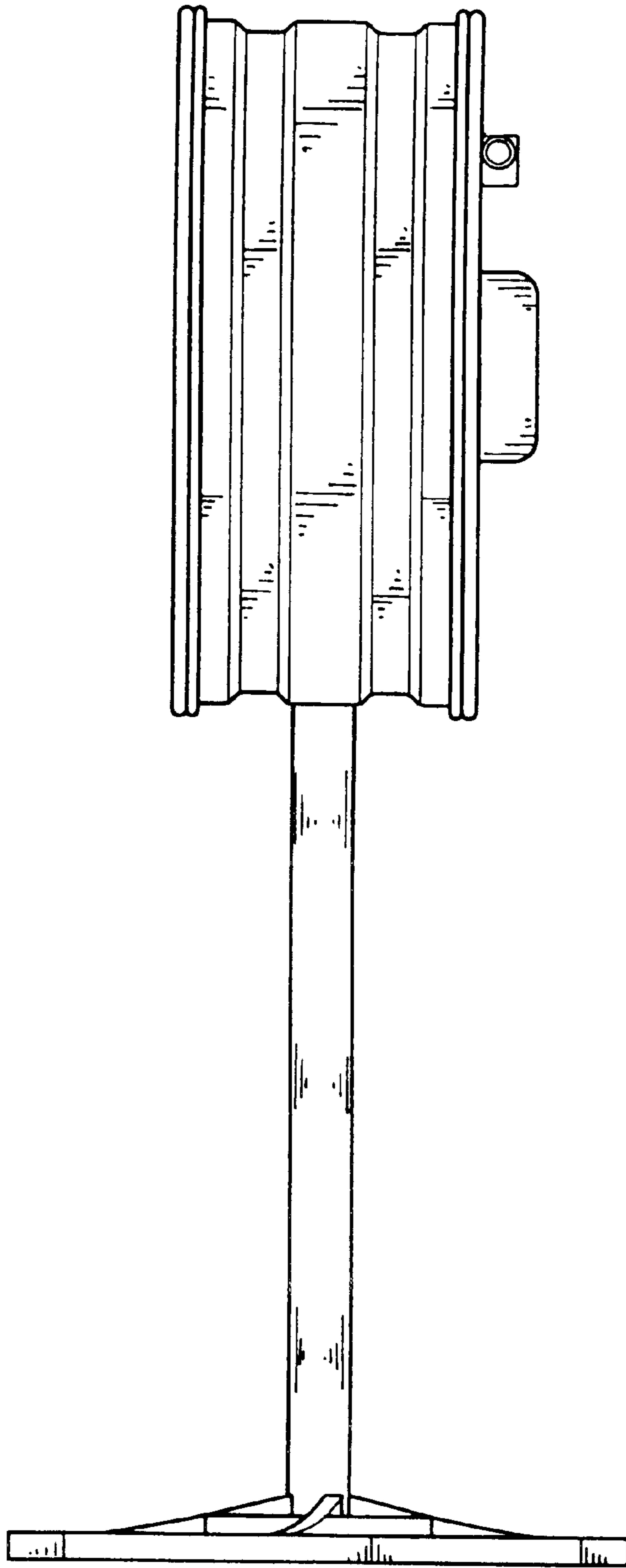


FIG. 5

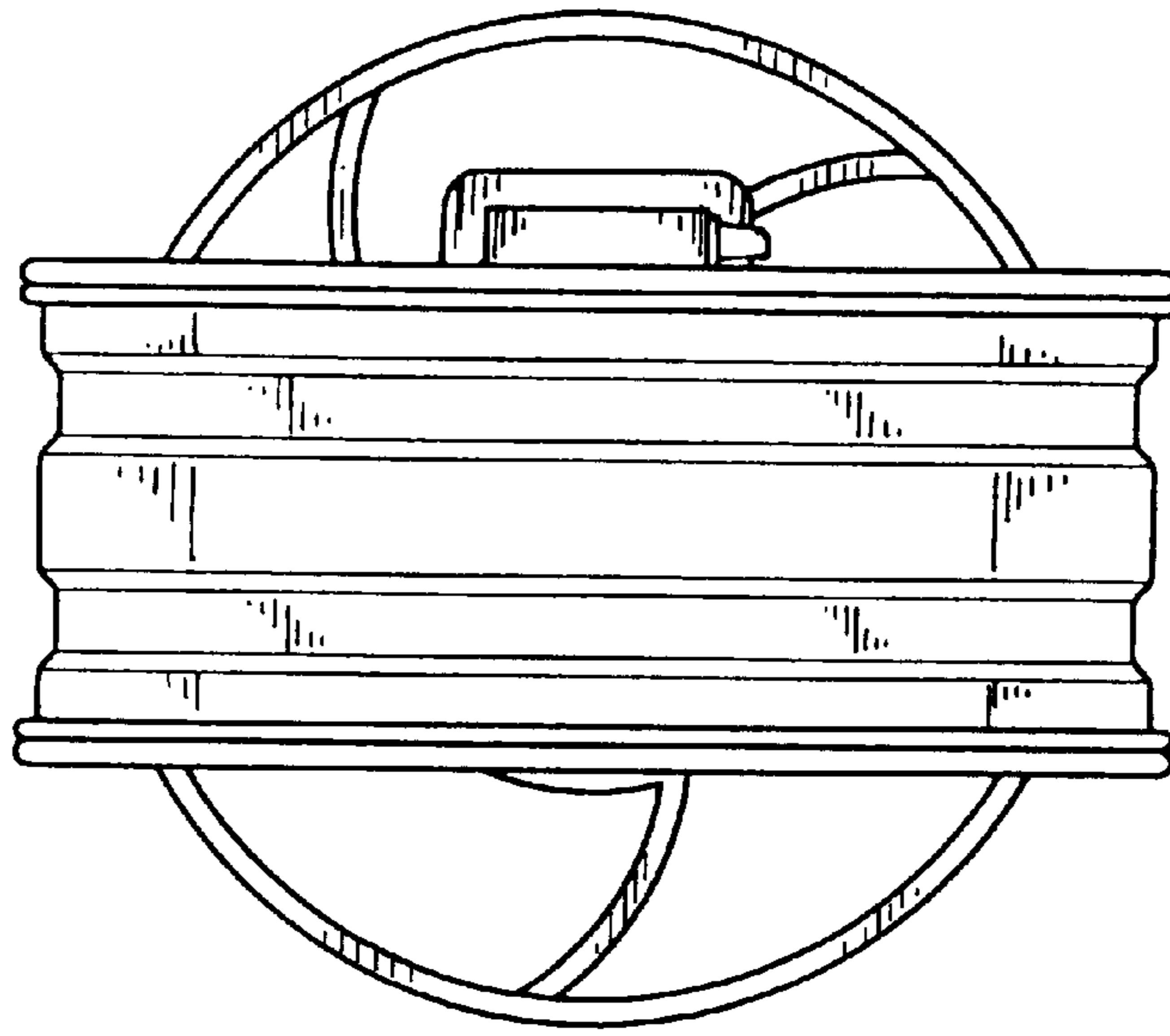


FIG. 6

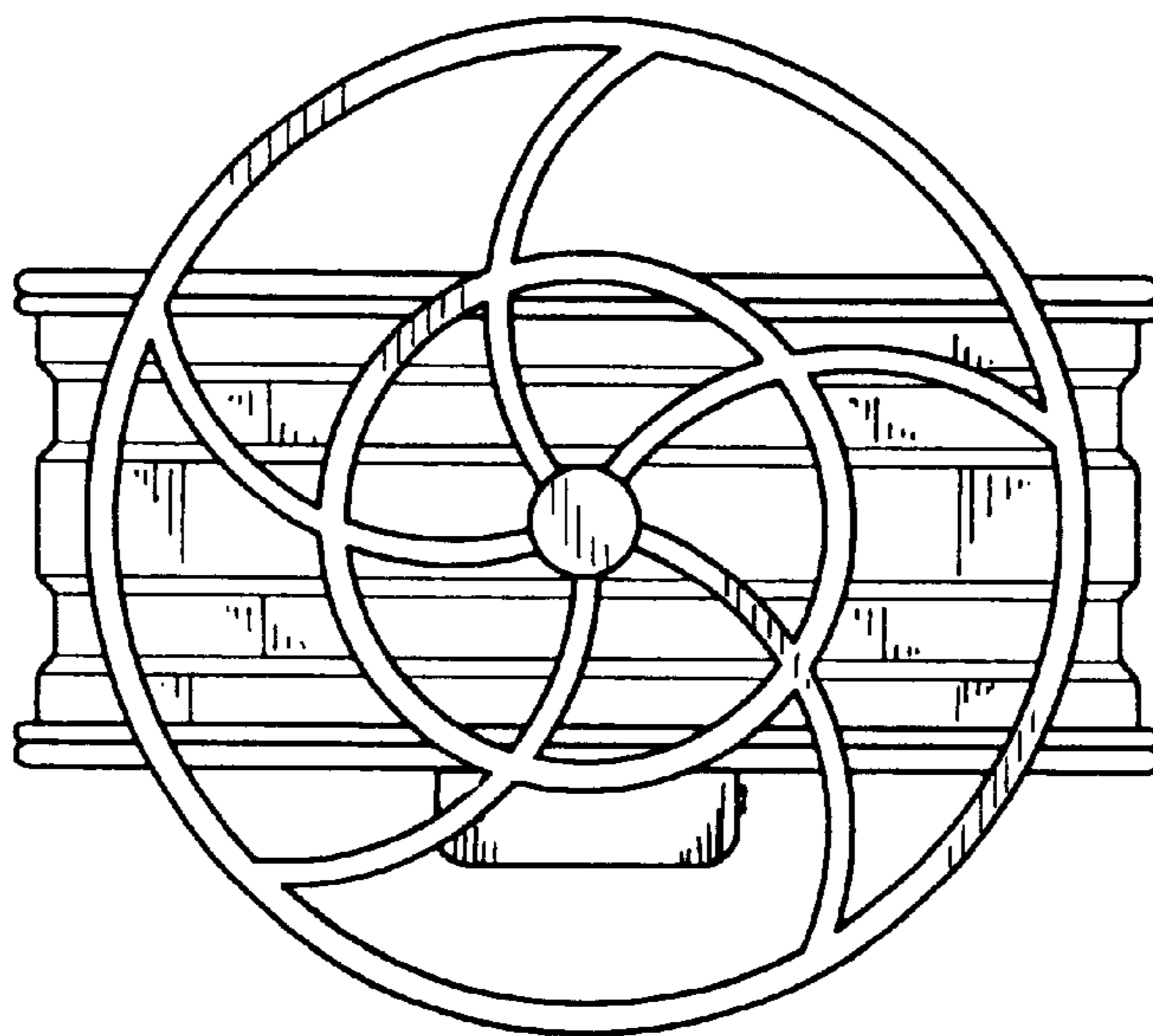


FIG. 7