



US00D438946S

(12) **United States Design Patent**  
**Williams**

(10) **Patent No.:** **US D438,946 S**

(45) **Date of Patent:** **\*\* Mar. 13, 2001**

(54) **CEILING FAN**

(75) Inventor: **Tammy Williams**, Phoenix, AZ (US)

(73) Assignee: **Litex Industries, Inc.**, Grand Prairie, TX (US)

(\*\*) Term: **14 Years**

(21) Appl. No.: **29/110,383**

(22) Filed: **Sep. 3, 1999**

(51) **LOC (7) Cl.** ..... **23-04**

(52) **U.S. Cl.** ..... **D23/377**

(58) **Field of Search** ..... D23/377, 379,  
D23/385; 416/5

(56) **References Cited**

**U.S. PATENT DOCUMENTS**

- D. 302,324 \* 7/1989 Moran et al. .... D26/59
- D. 358,877 \* 5/1995 Tsuji ..... D23/377
- D. 421,799 \* 3/2000 Zuege ..... D23/411

**OTHER PUBLICATIONS**

©Thomas Lighting Catalog 1998, p. 100, Ceiling Fan No. M 2597-41.

Progress Lighting Catalog, p. 136, Ceiling Fan Nos. P3604-15, P3604-10, P5001-10, and P5001-15.

\* cited by examiner

*Primary Examiner*—Lisa Lichtenstein

(74) *Attorney, Agent, or Firm*—Sidley & Austin

(57) **CLAIM**

The ornamental design for an ceiling fan, as shown and described.

**DESCRIPTION**

FIG. 1 is a perspective view of a ceiling fan embodying my design;

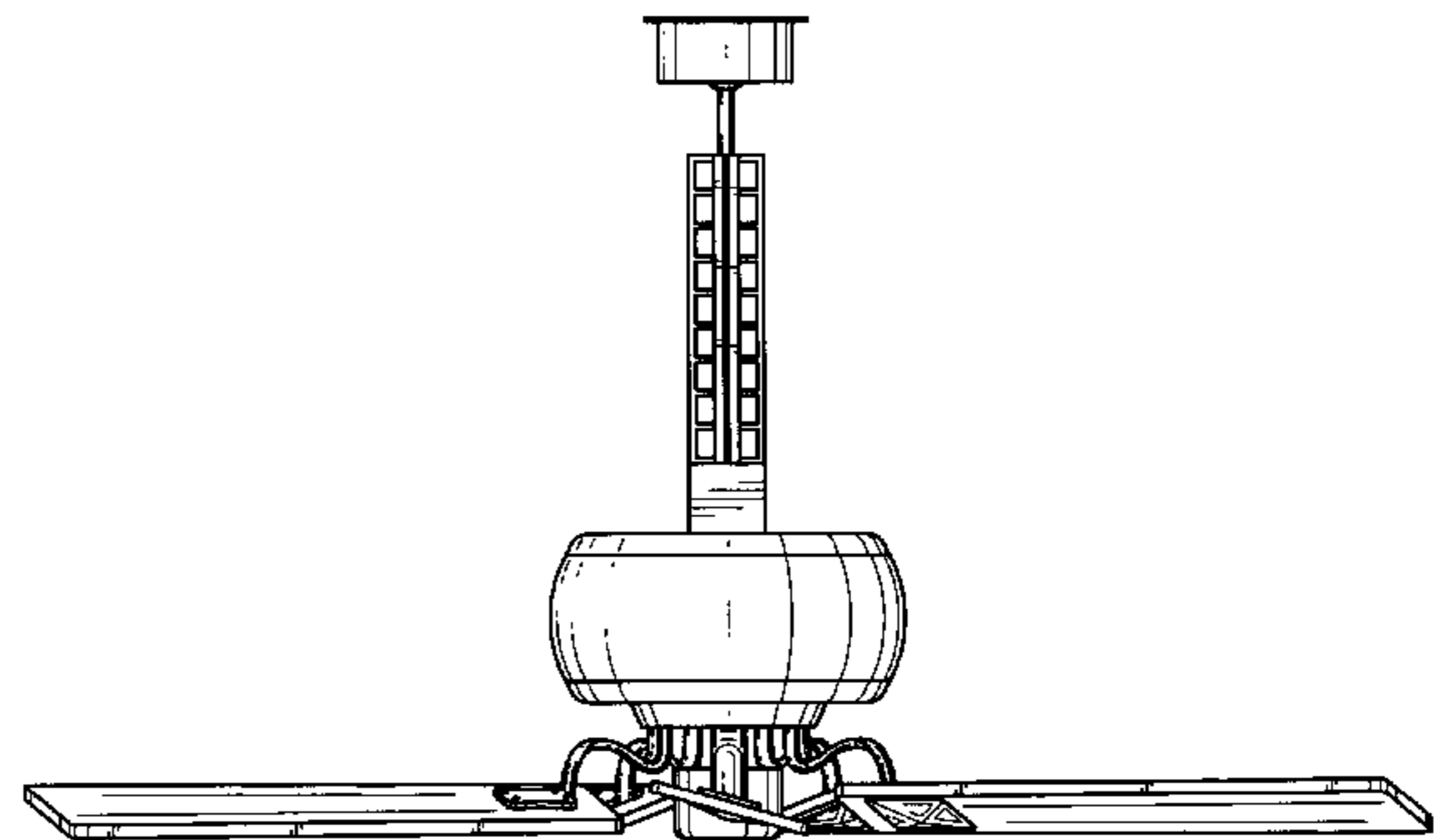
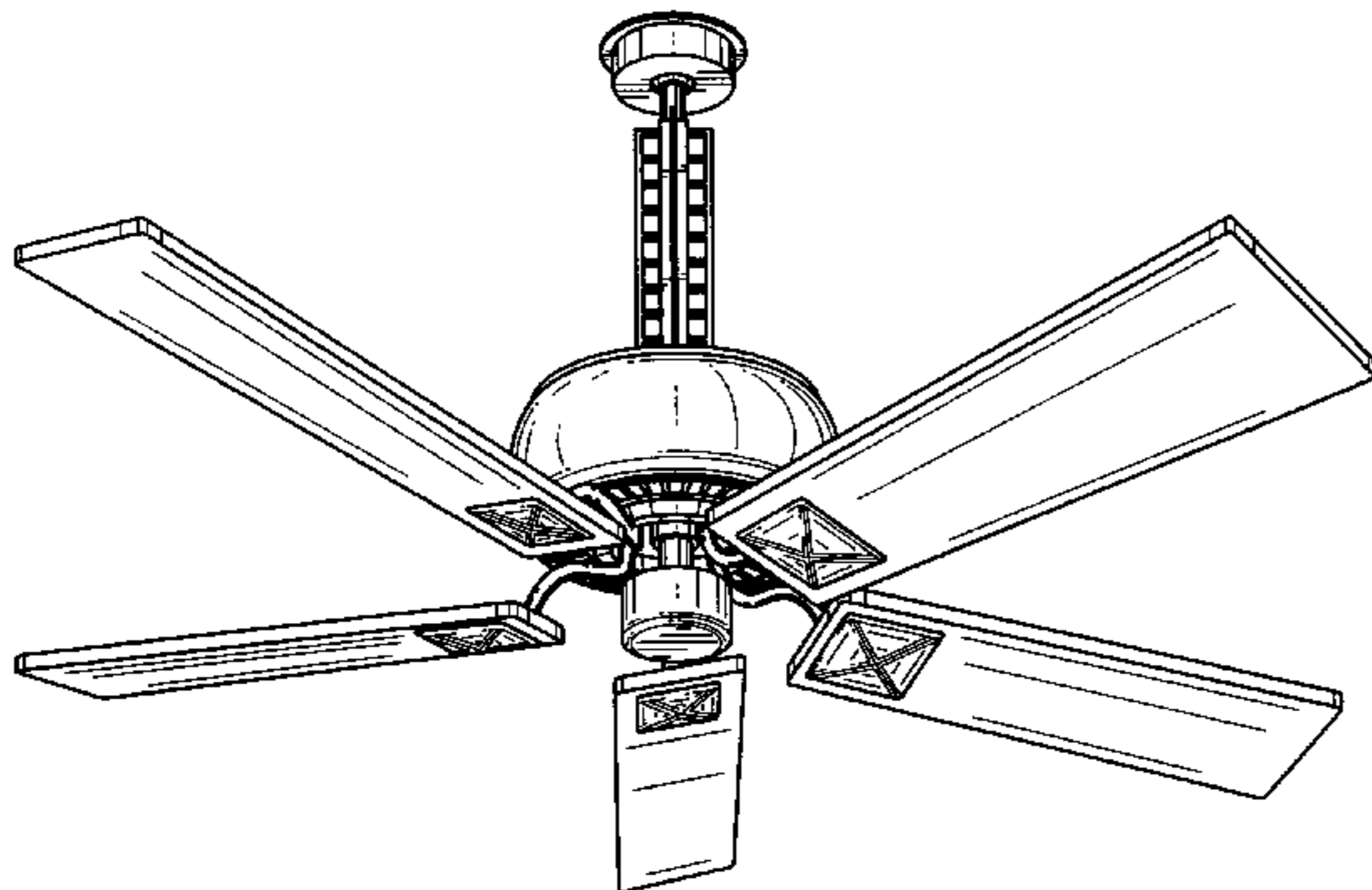
FIG. 2 is a rear view thereof;

FIG. 3 is a front view thereof;

FIG. 4 is a bottom view thereof; and,

FIG. 5 is a top view thereof.

**1 Claim, 5 Drawing Sheets**



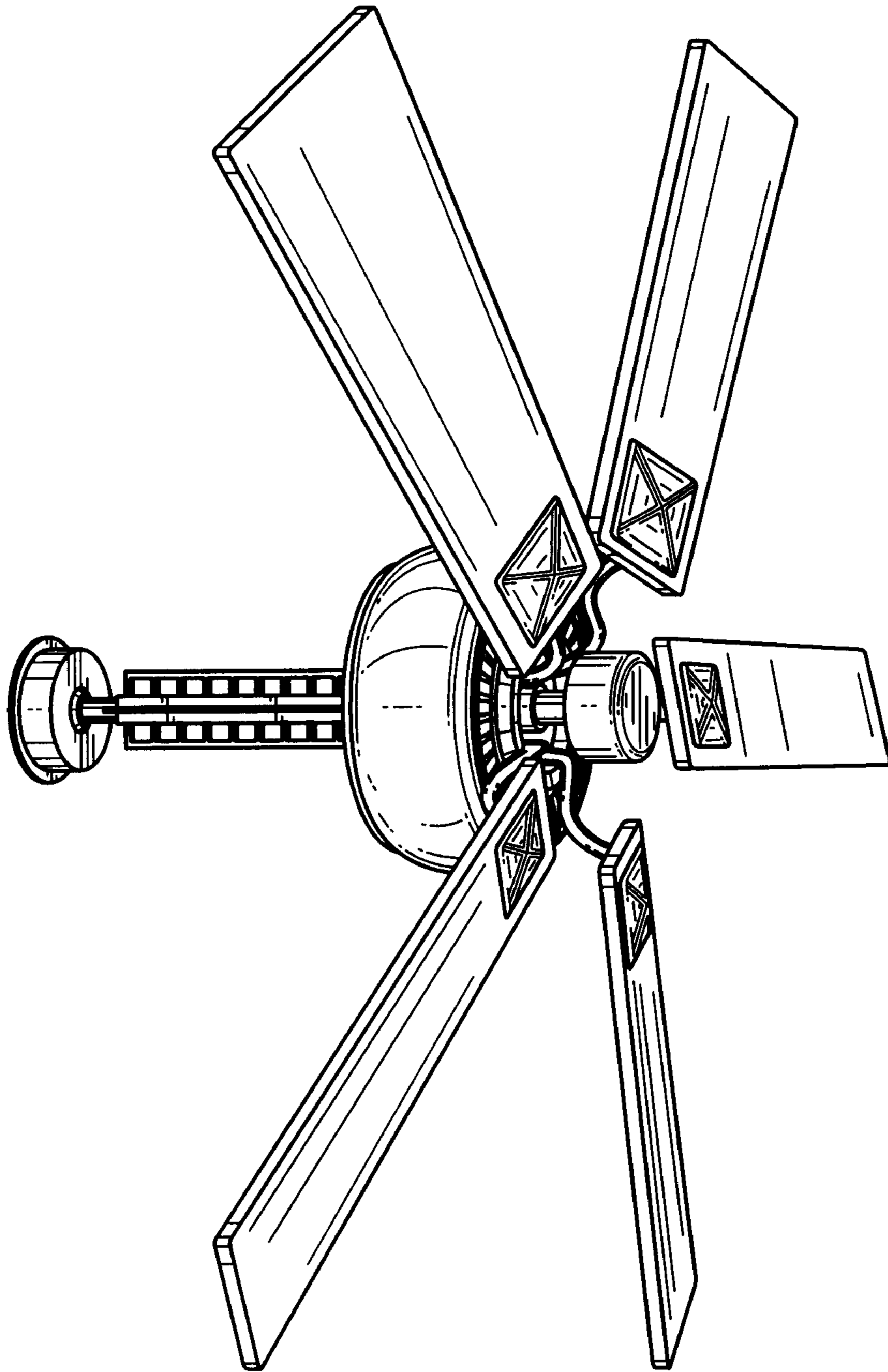


FIG. 1

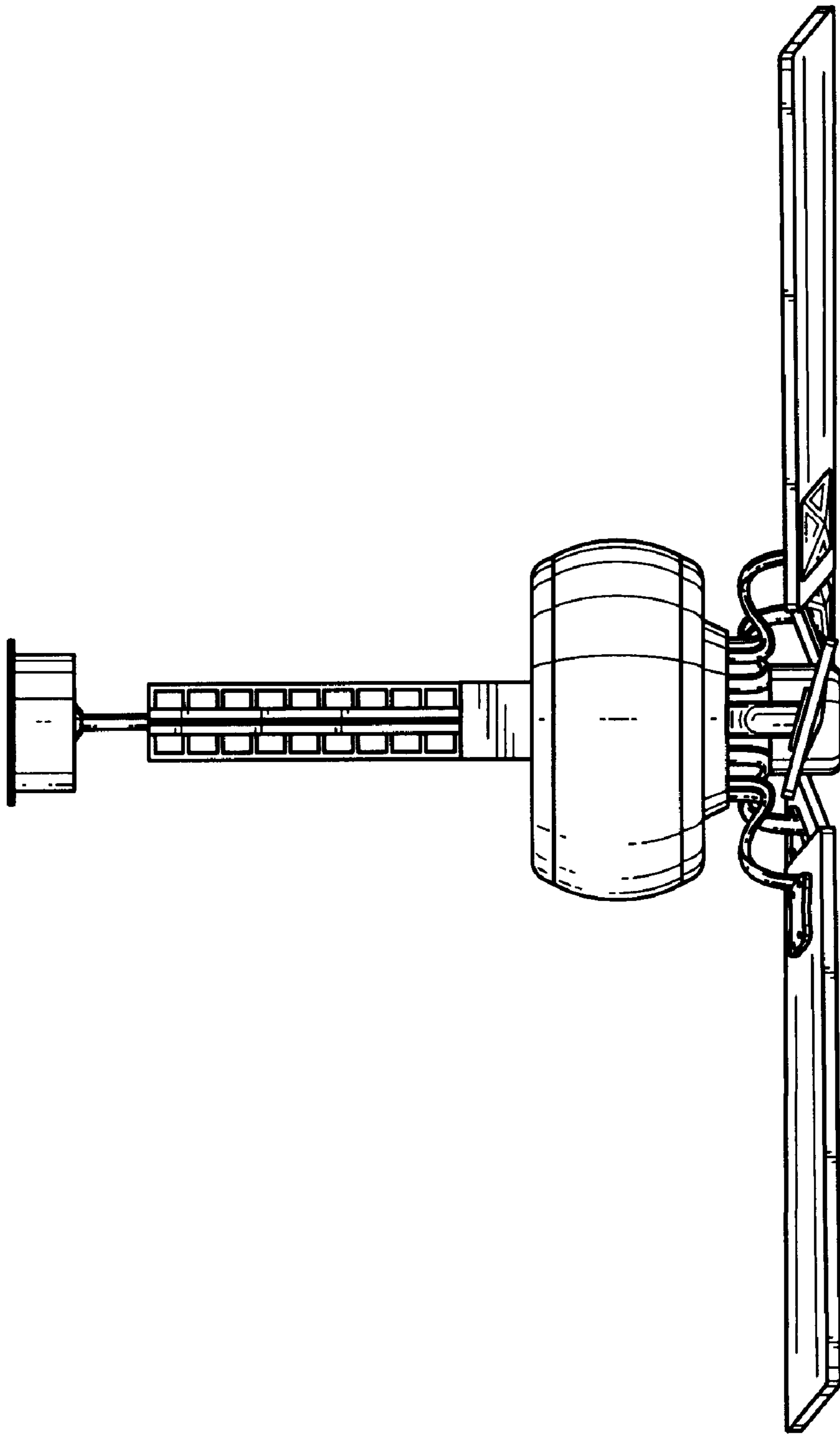


FIG. 2

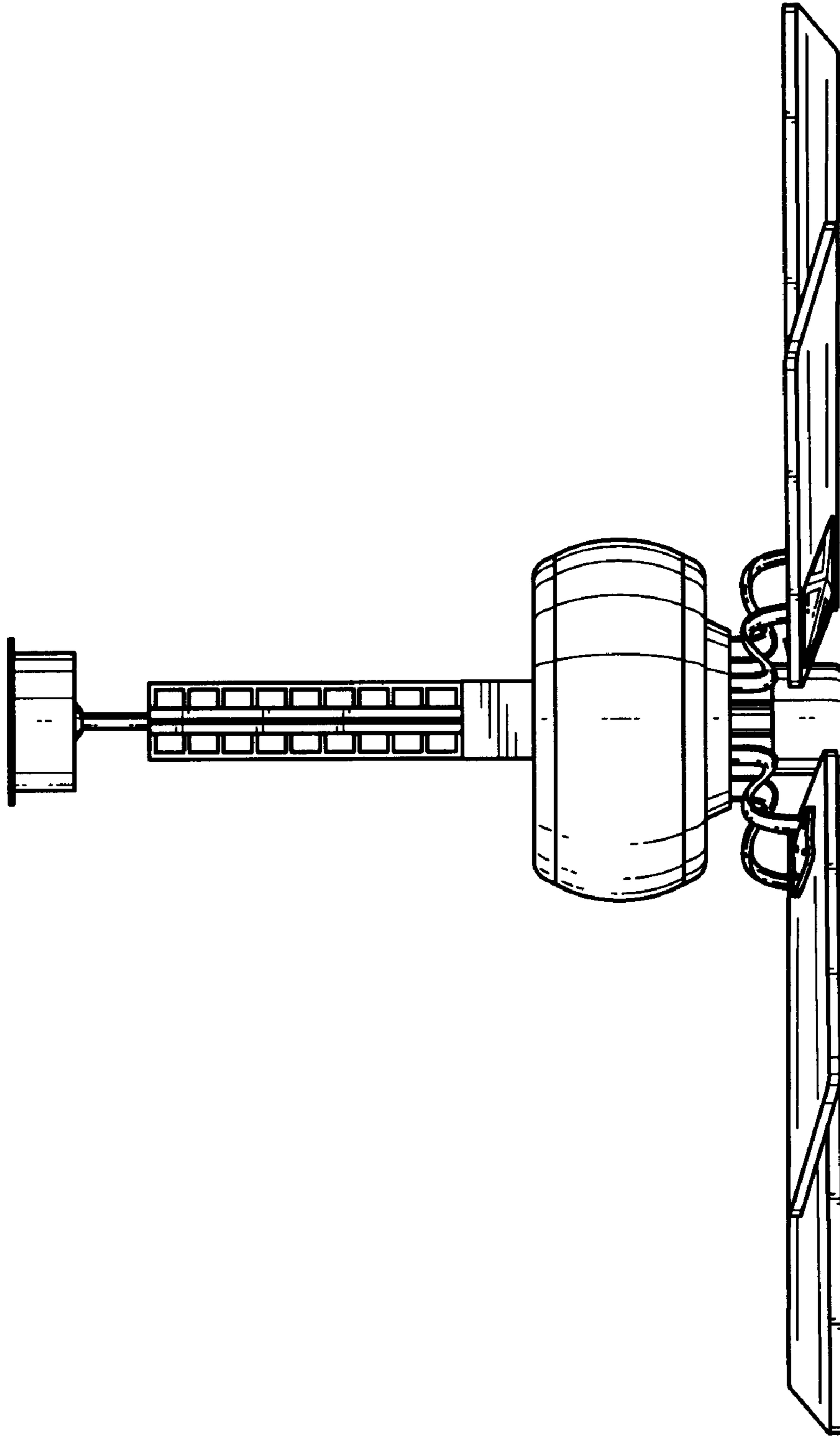


FIG. 3

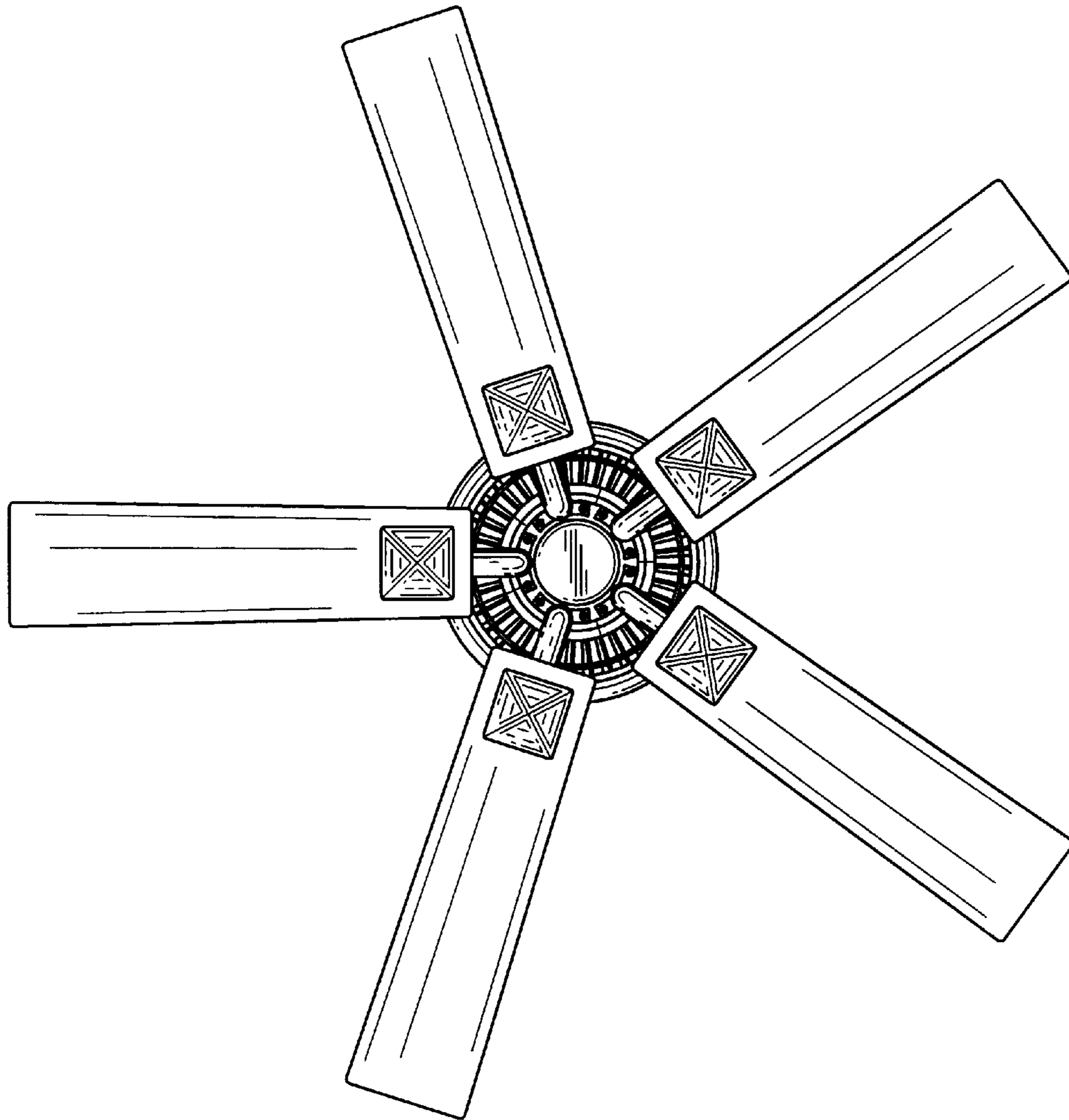


FIG. 4

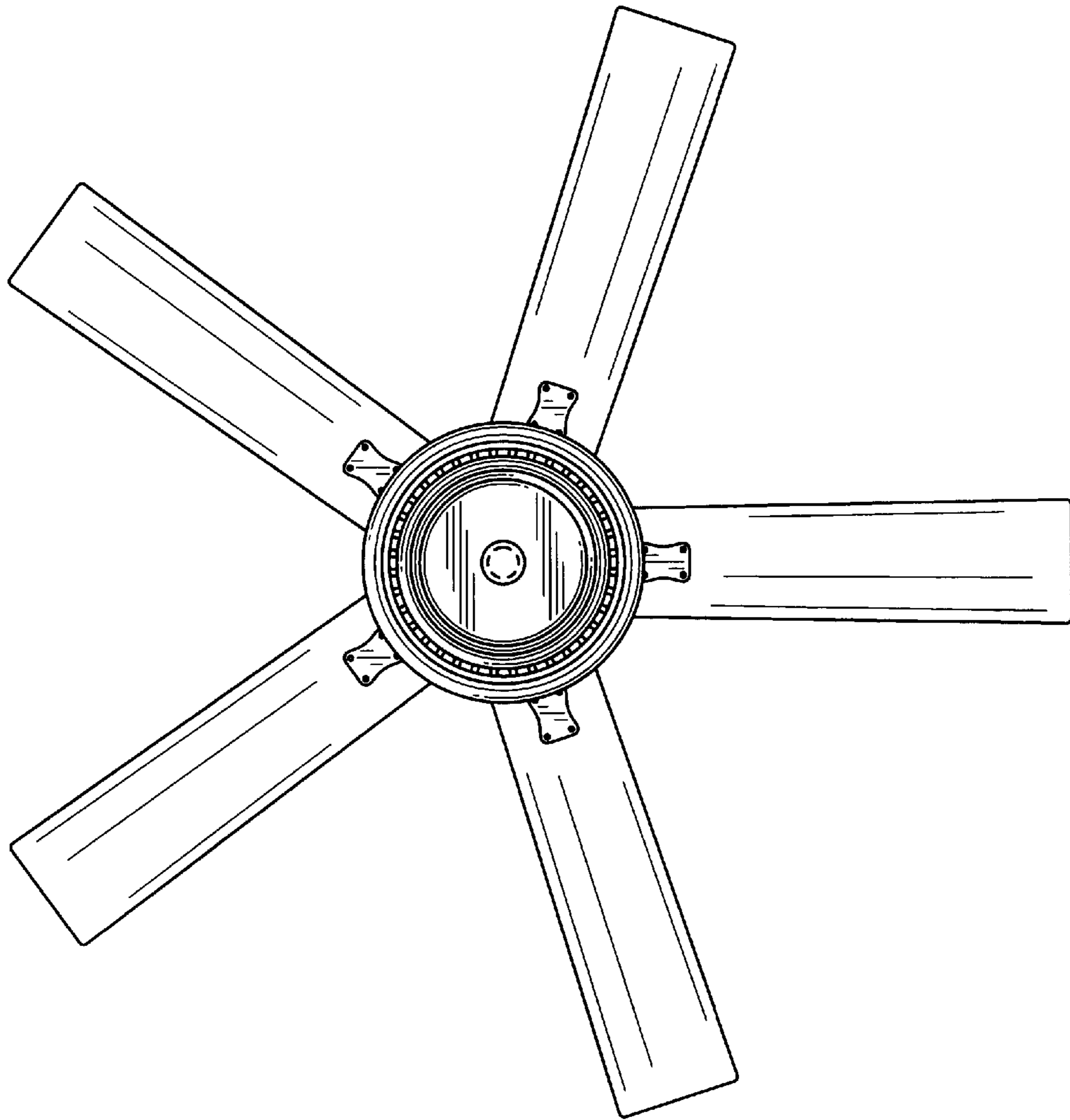


FIG. 5