



US00D438944S

(12) **United States Design Patent**
Terpko et al.

(10) **Patent No.:** **US D438,944 S**

(45) **Date of Patent:** **** Mar. 13, 2001**

(54) **AIR CLEANER**

D. 401,318 * 11/1998 Rakocy D23/364

(75) Inventors: **Kristin Terpko**, Westborough, MA
(US); **Stephen M. Gatchell**, Warwick,
RI (US); **Rafael Yopez**, Jamacia Plain,
MA (US); **David Feer**, Wilton, NH
(US)

* cited by examiner

Primary Examiner—Lisa Lichtenstein
(74) *Attorney, Agent, or Firm*—Robert B. Leonard

(73) Assignee: **Honeywell International Inc.**,
Morristown, NJ (US)

(57) **CLAIM**

The ornamental design for an air cleaner, as shown.

(**) Term: **14 Years**

DESCRIPTION

(21) Appl. No.: **29/116,951**

FIG. 1 is a front perspective view of an air cleaner showing our design.

(22) Filed: **Jan. 13, 2000**

FIG. 2 is a front elevational view of the air cleaner shown in FIG. 1.

(51) **LOC (7) Cl.** **23-04**

FIG. 3 is a rear elevational view of the air cleaner shown in FIG. 1.

(52) **U.S. Cl.** **D23/364**

FIG. 4 is a left side elevational view of the air cleaner shown in FIG. 1.

(58) **Field of Search** D23/364; 96/97

FIG. 5 is a right side elevational view of the air cleaner shown in FIG. 1; and,

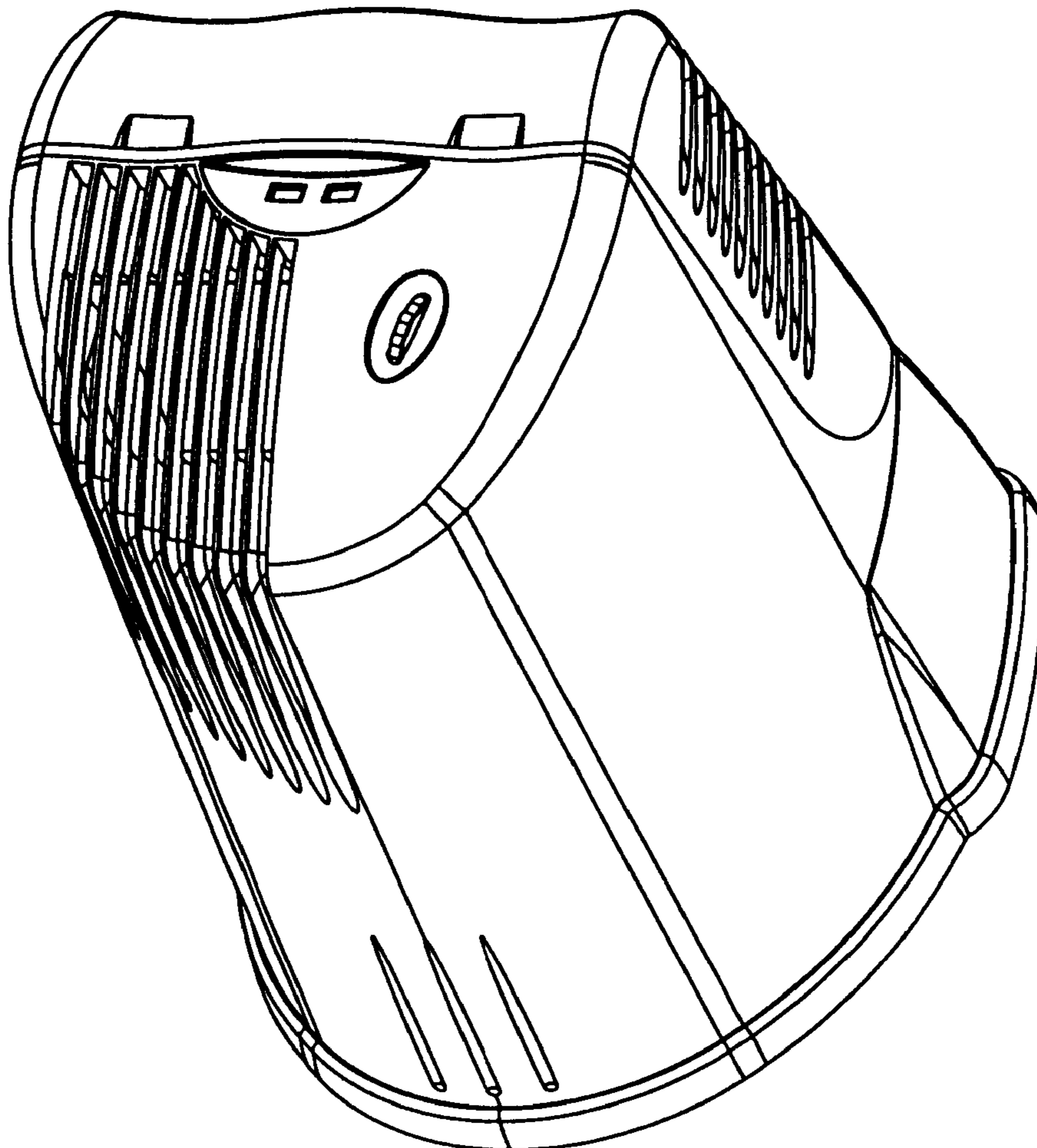
(56) **References Cited**

FIG. 6 is a top plan view of the air cleaner shown in FIG. 1.

U.S. PATENT DOCUMENTS

D. 397,197 * 8/1998 Ito et al. D23/364

1 Claim, 6 Drawing Sheets



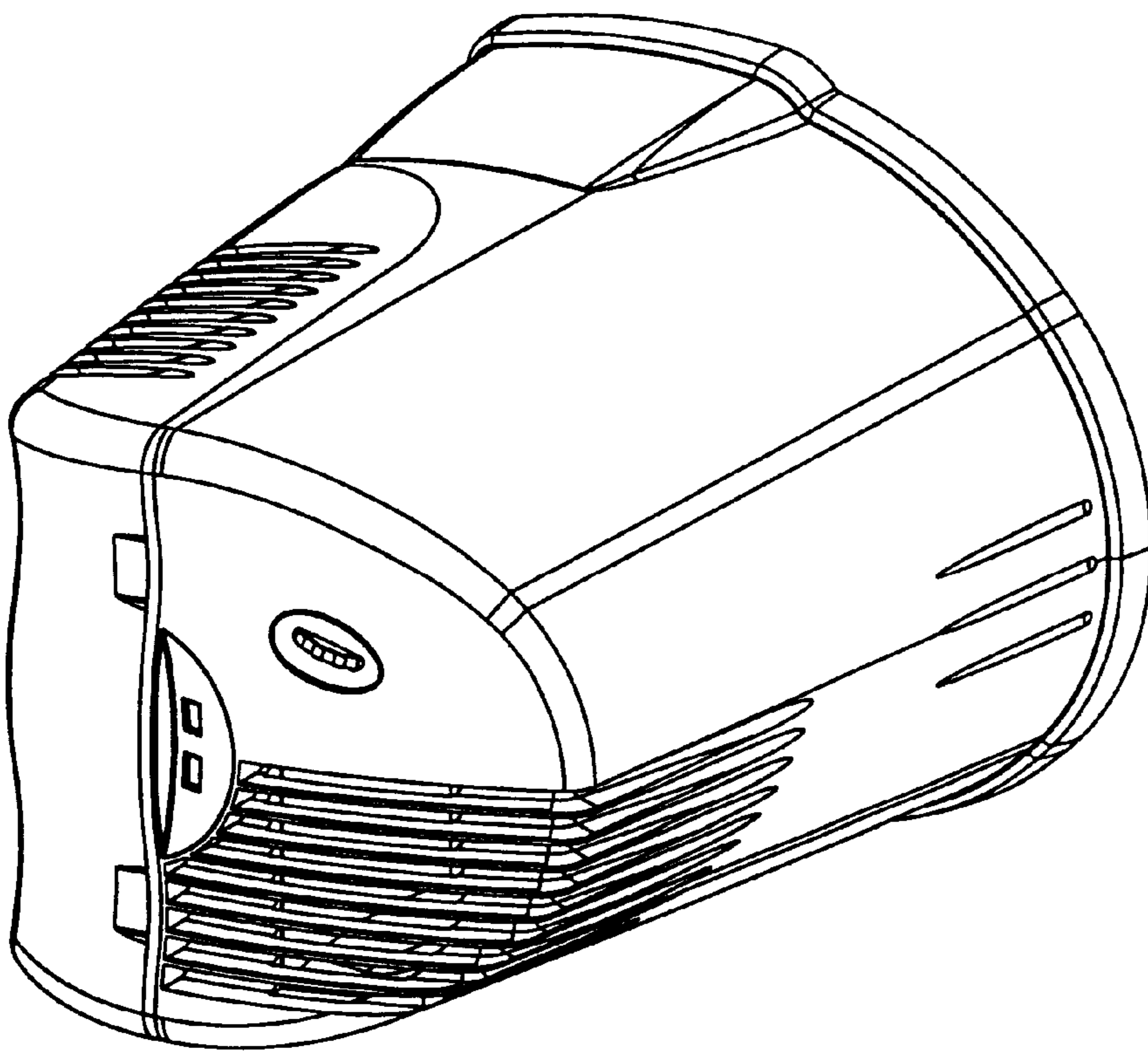


FIGURE 1

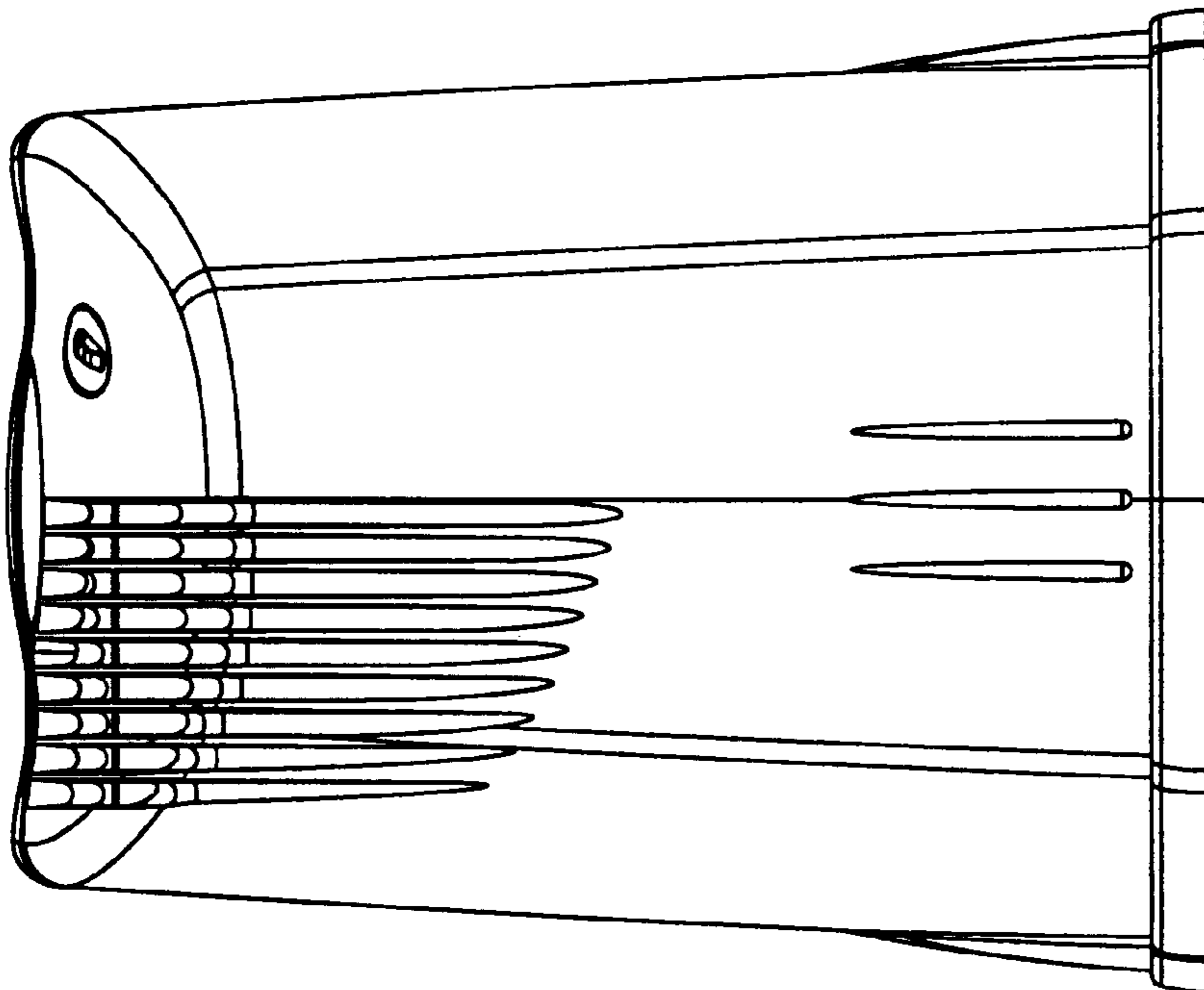


FIGURE 2

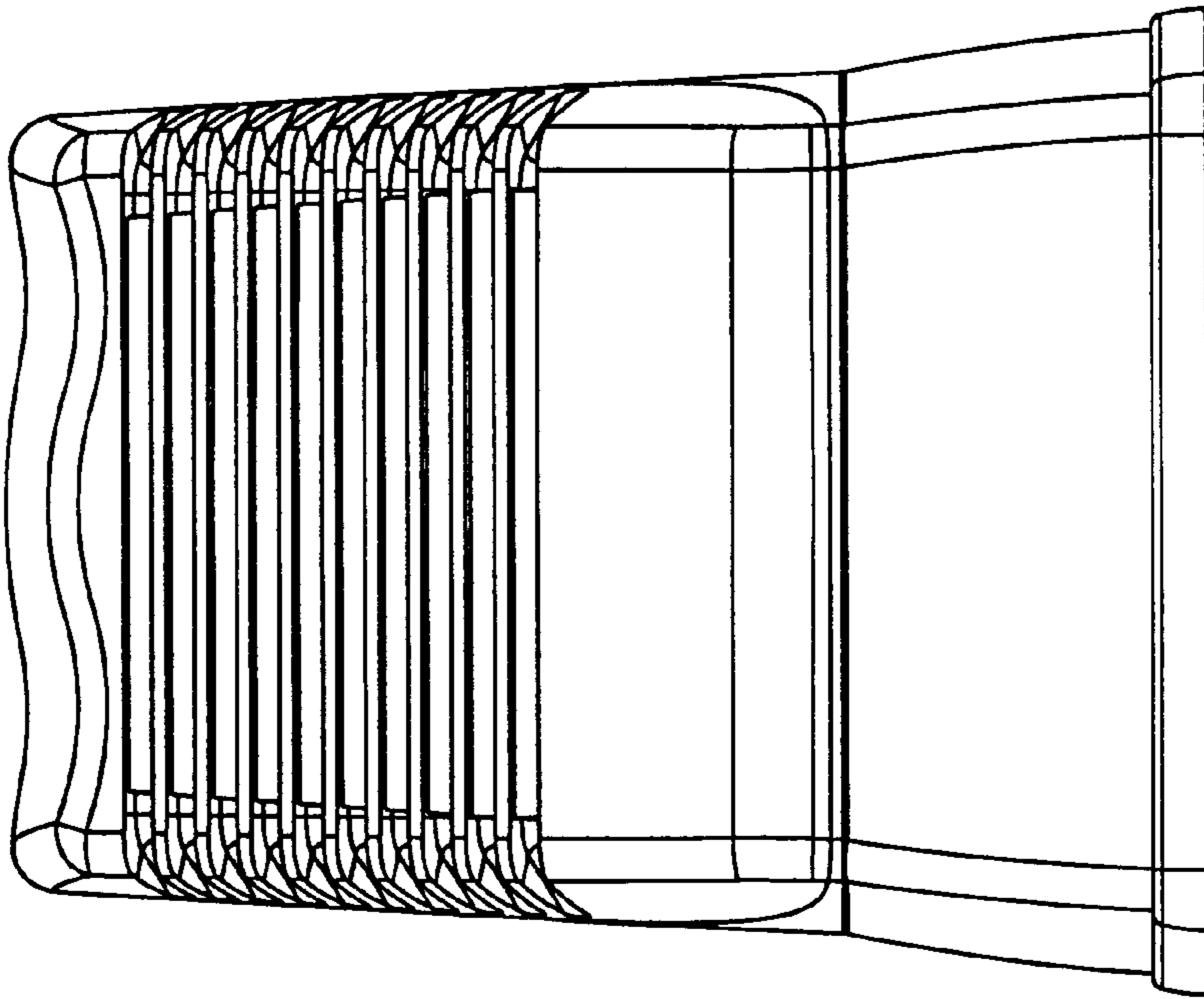


FIGURE 3

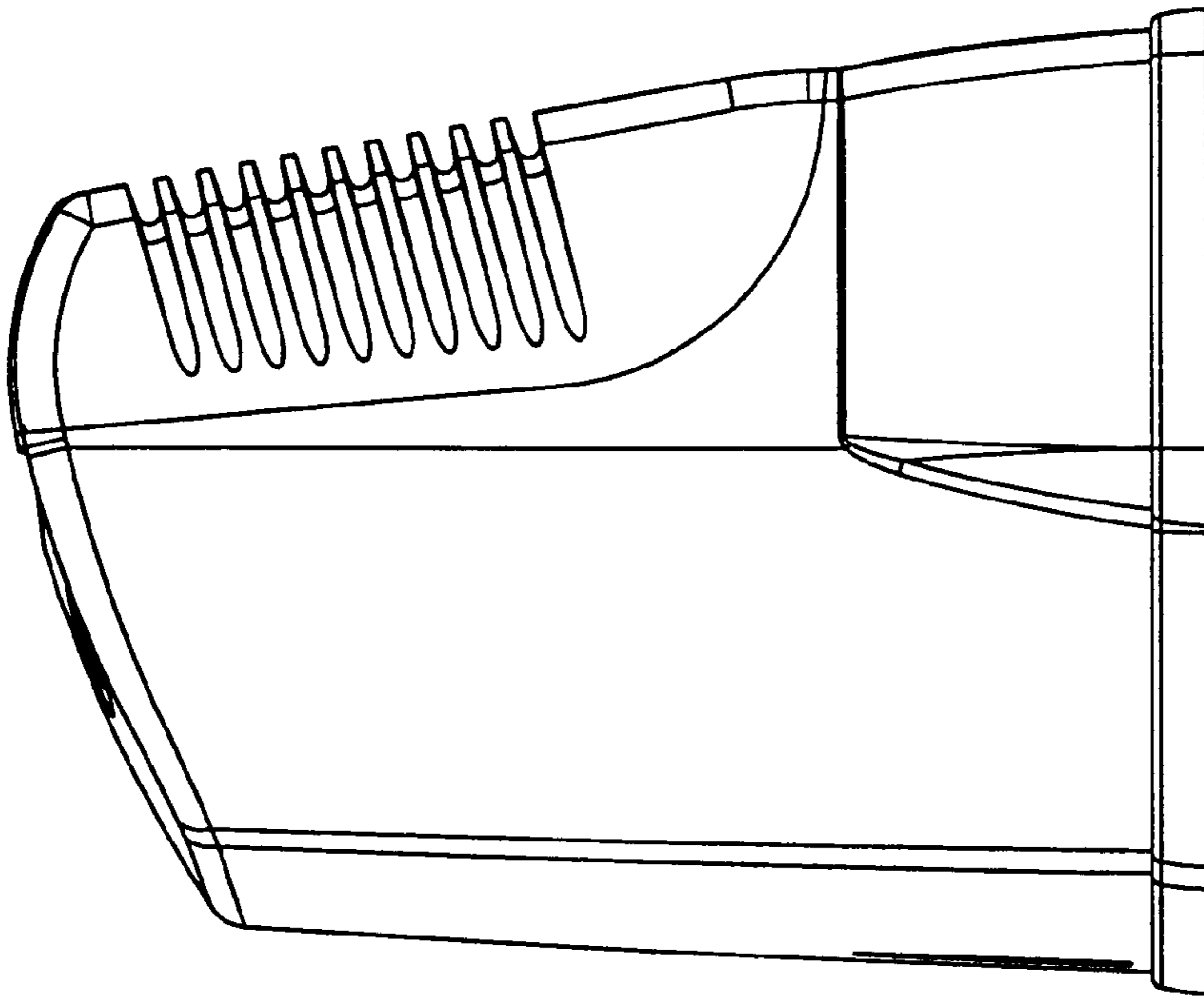


FIGURE 4

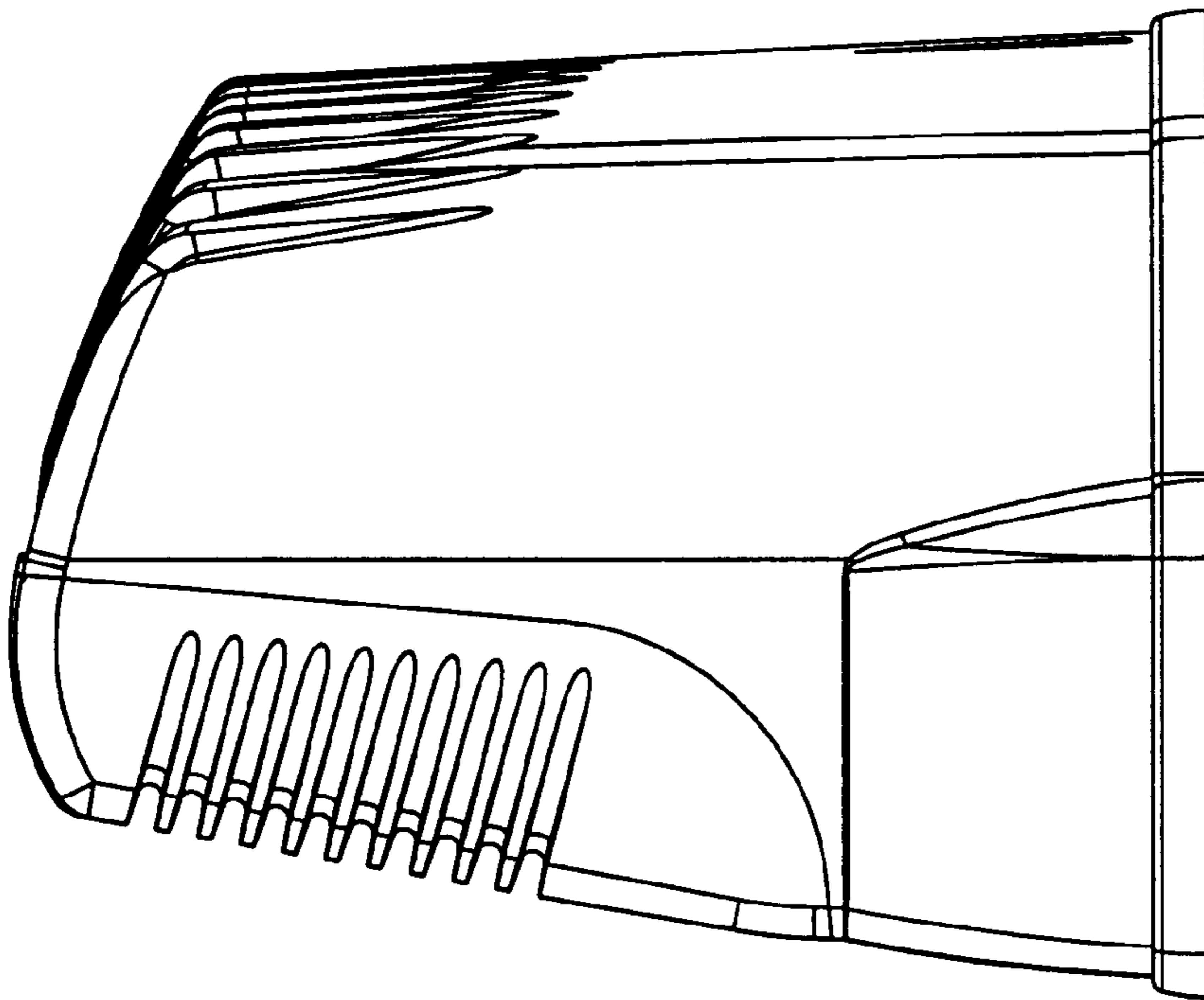


FIGURE 5

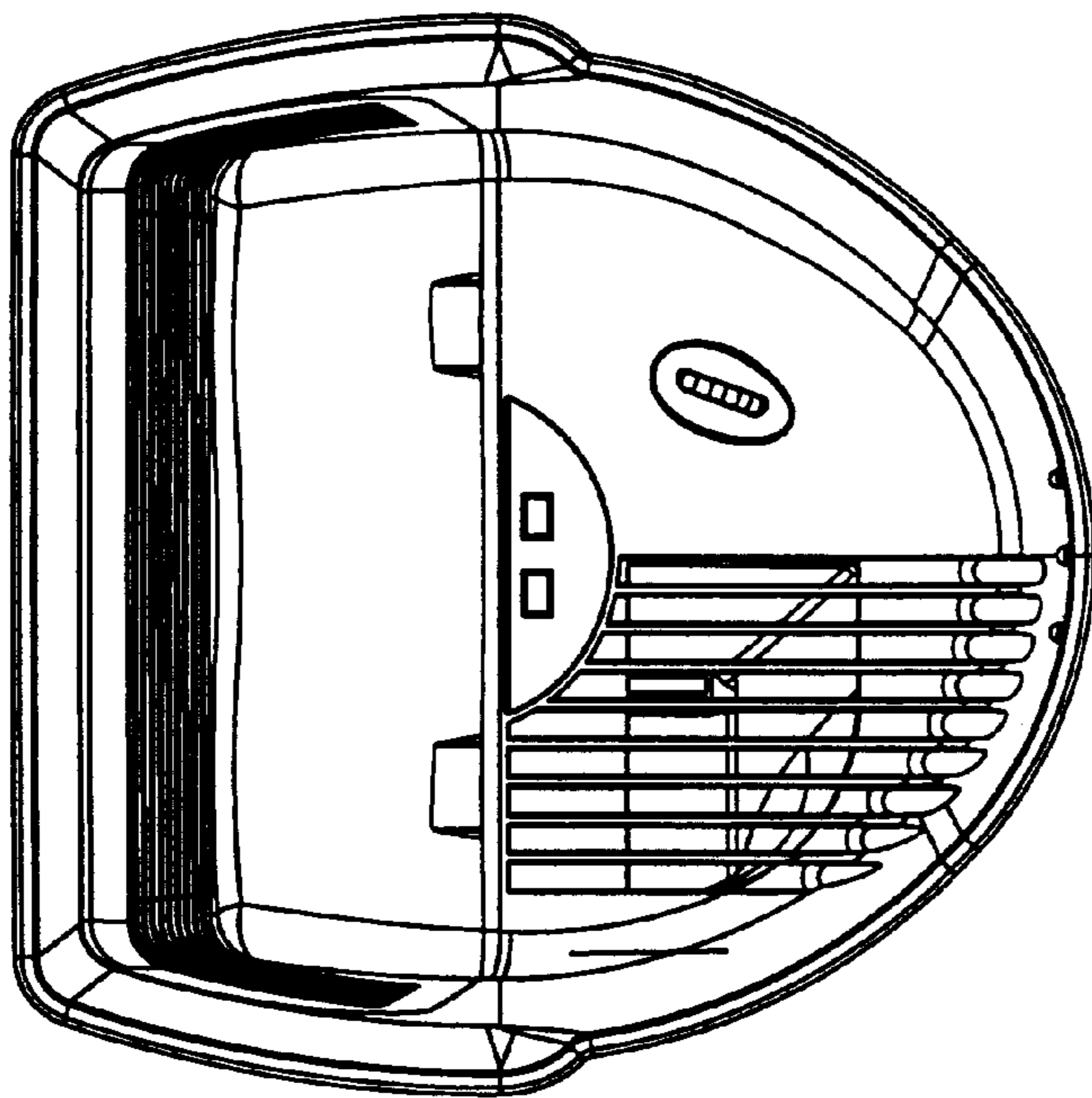


FIGURE 6