



US00D438941S

(12) **United States Design Patent**
Selina et al.

(10) **Patent No.:** **US D438,941 S**

(45) **Date of Patent:** **** Mar. 13, 2001**

(54) **TOILET FOR USE IN RECREATIONAL VEHICLES AND BOATS**

(75) Inventors: **John R. Selina**, Brighton; **John W. Wissinger**, Gregory, both of MI (US)

(73) Assignee: **Theftford Corporation**, Ann Arbor, MI (US)

(**) Term: **14 Years**

(21) Appl. No.: **29/120,249**

(22) Filed: **Mar. 14, 2000**

(51) **LOC (7) Cl.** **23-02**

(52) **U.S. Cl.** **D23/299**

(58) **Field of Search** D23/273, 295-302,
D23/303, 309-313; 4/253, 300, 328, 329,
419, 420, 443, 446

(56) **References Cited**

U.S. PATENT DOCUMENTS

D. 268,780	4/1993	Doman et al. .	
D. 331,959	* 12/1992	Huang	D23/301
D. 347,496	* 5/1994	Wei	D23/301
D. 397,214	8/1998	Felker .	
D. 422,063	* 5/2000	Moon	D23/295

* cited by examiner

Primary Examiner—Louis S. Zarfaz
Assistant Examiner—Robert A. Delehanty
(74) *Attorney, Agent, or Firm*—Harness, Dickey & Pierce, P.L.C.

(57) **CLAIM**

The ornamental design for a toilet for use in recreational vehicles and boats, as shown and described.

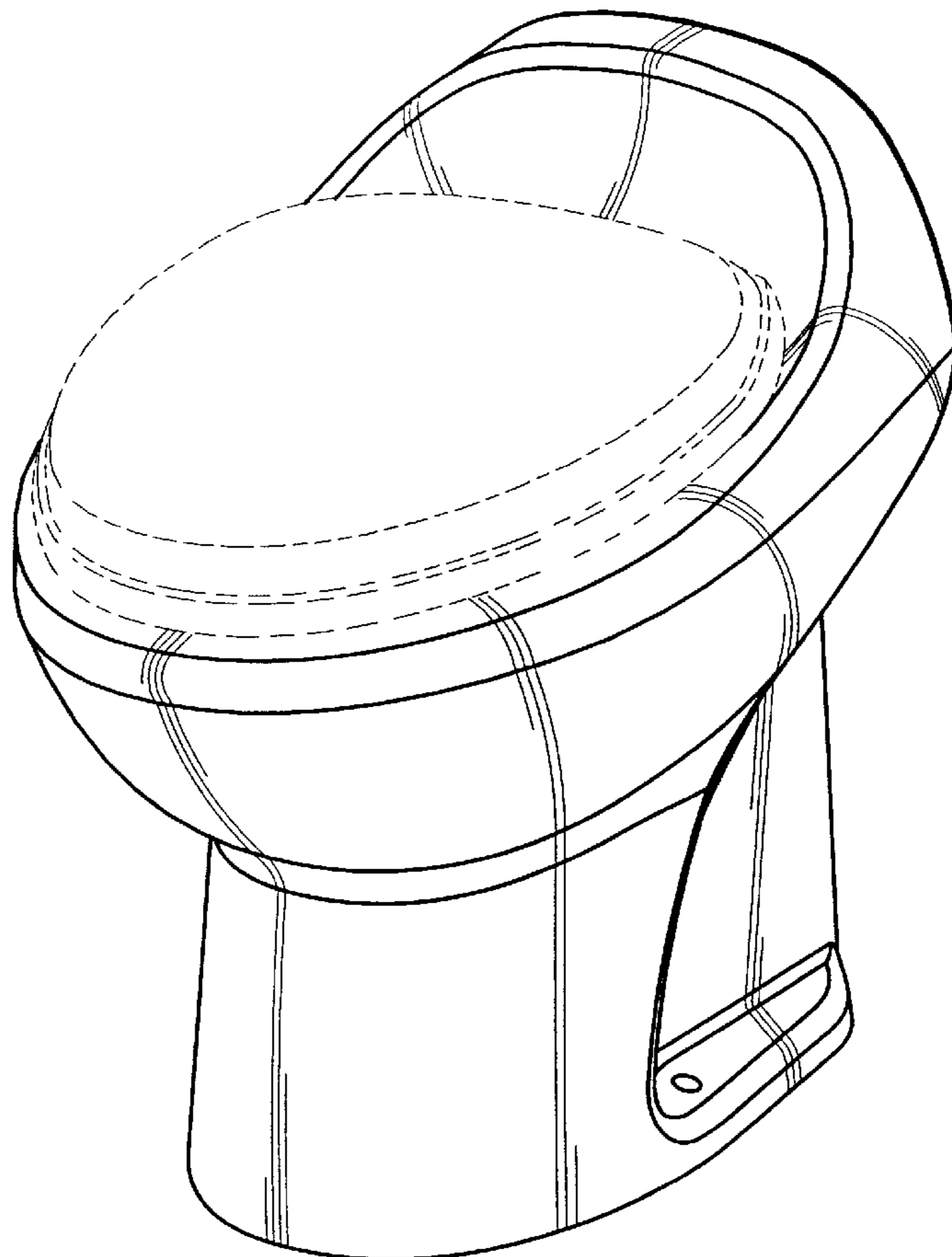
DESCRIPTION

FIG. 1 is a perspective view of the toilet as seen from the front end of the toilet;
FIG. 2 is another perspective view of the toilet of this invention as seen from the backside;
FIG. 3 is a side elevational view of the toilet;
FIG. 4 is a front view of the toilet;
FIG. 5 is a top view of the toilet; and,
FIG. 6 is another side elevational view.

It is to be understood that the broken lines in all of the figures are for illustrative purposes only and form no part of the claimed design.

The broken line showing of a toilet seat and lid is for illustrative purposes only and forms no part of the claimed design.

1 Claim, 3 Drawing Sheets



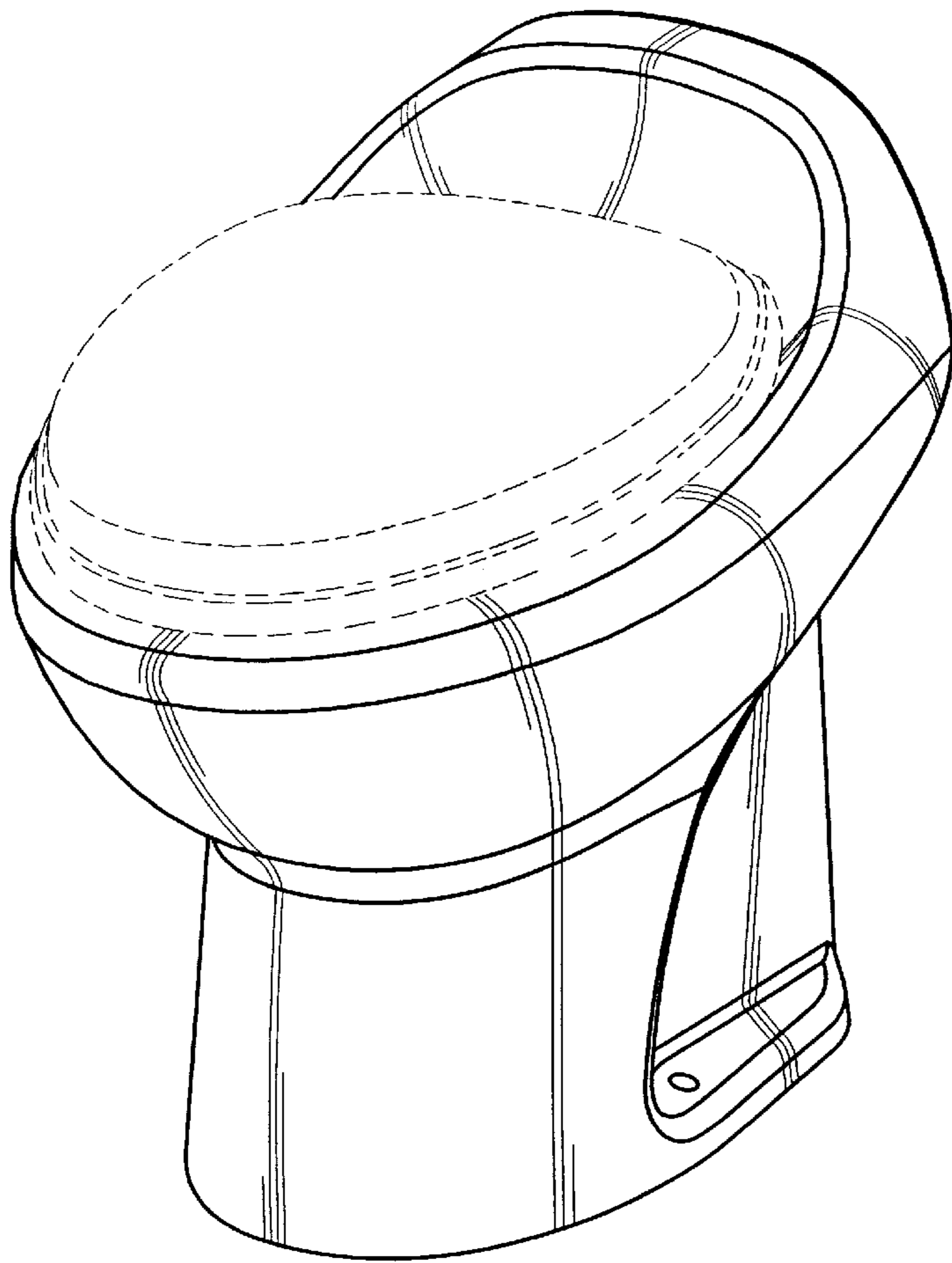


Figure - 1

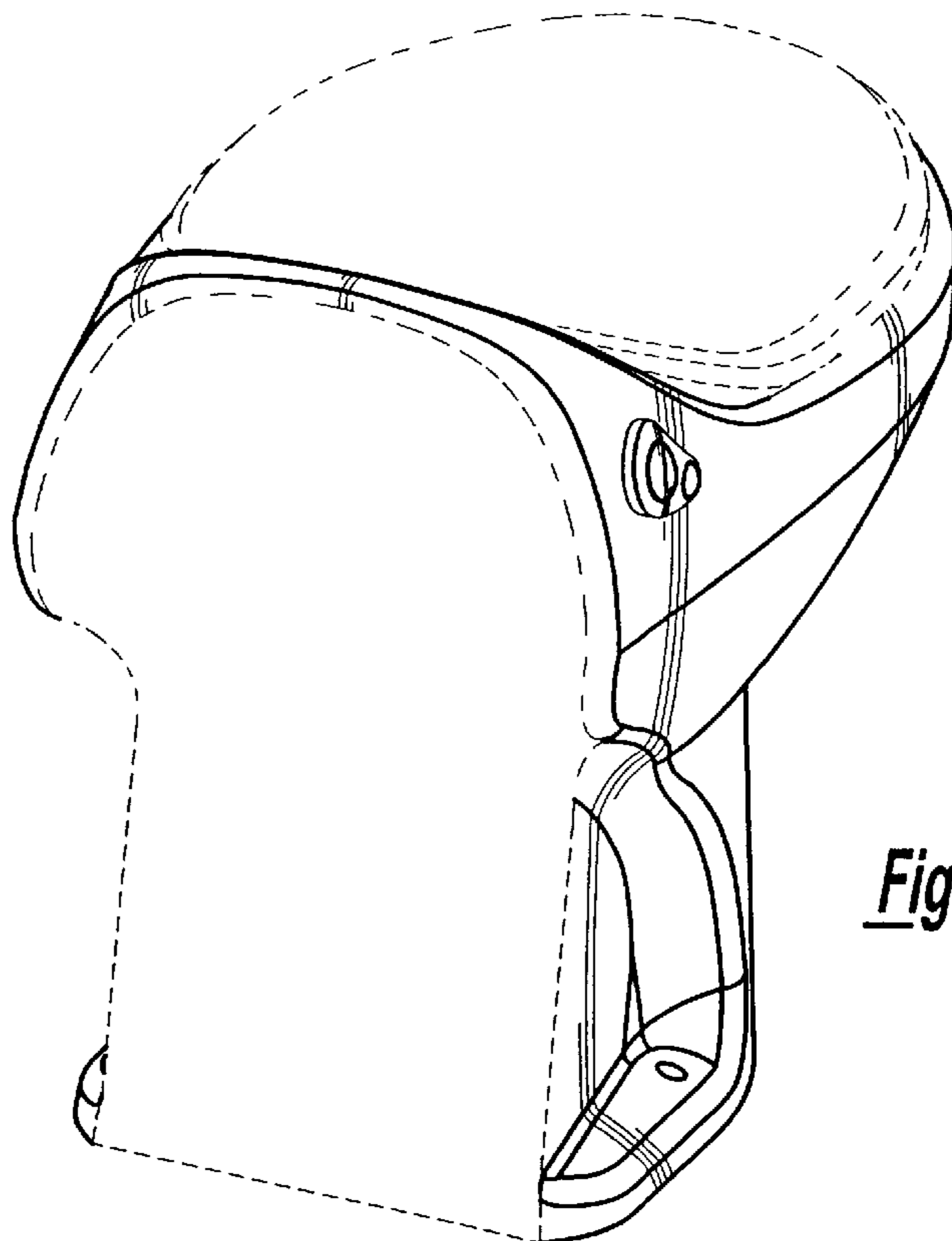


Figure - 2

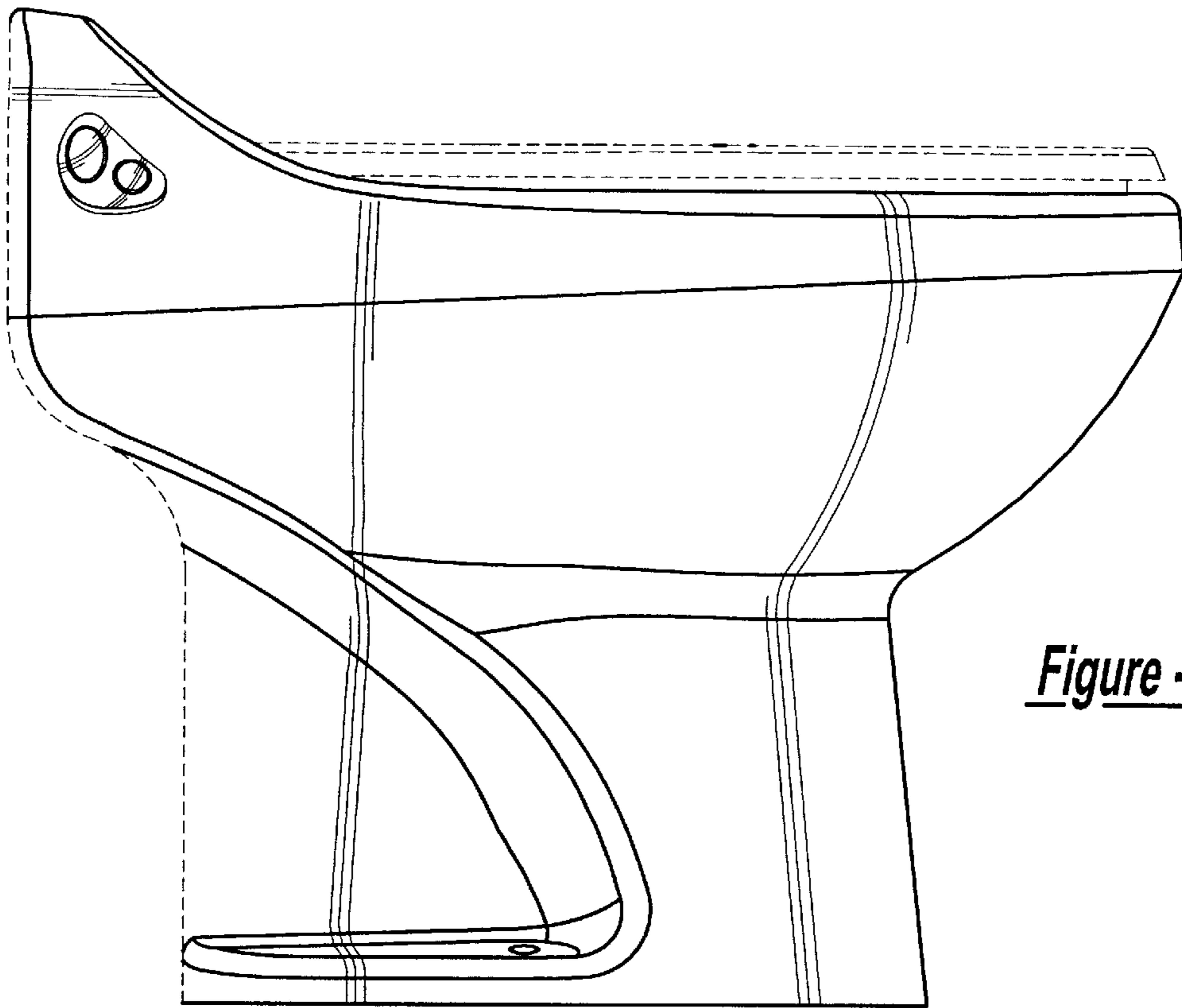


Figure - 3

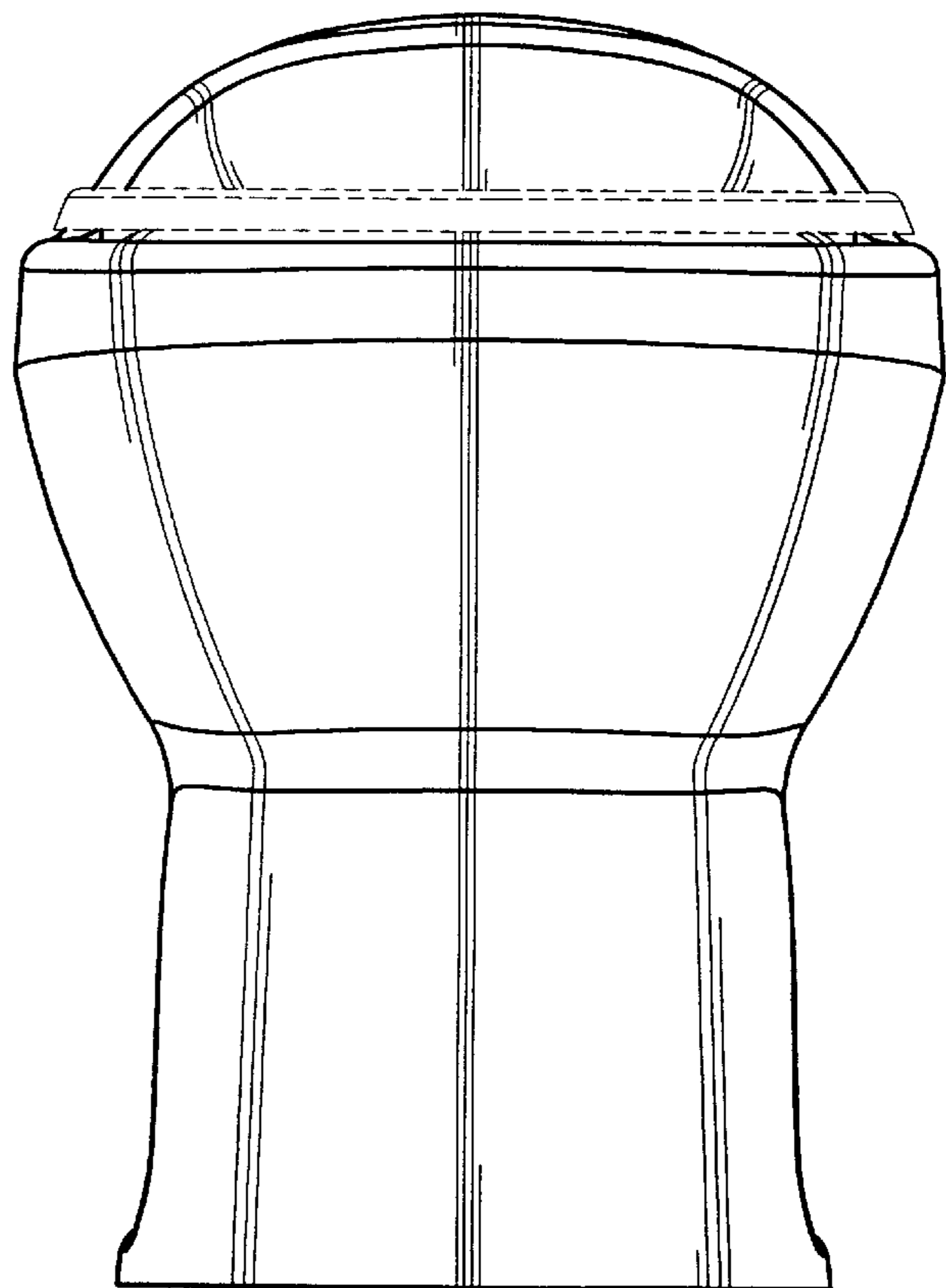


Figure - 4

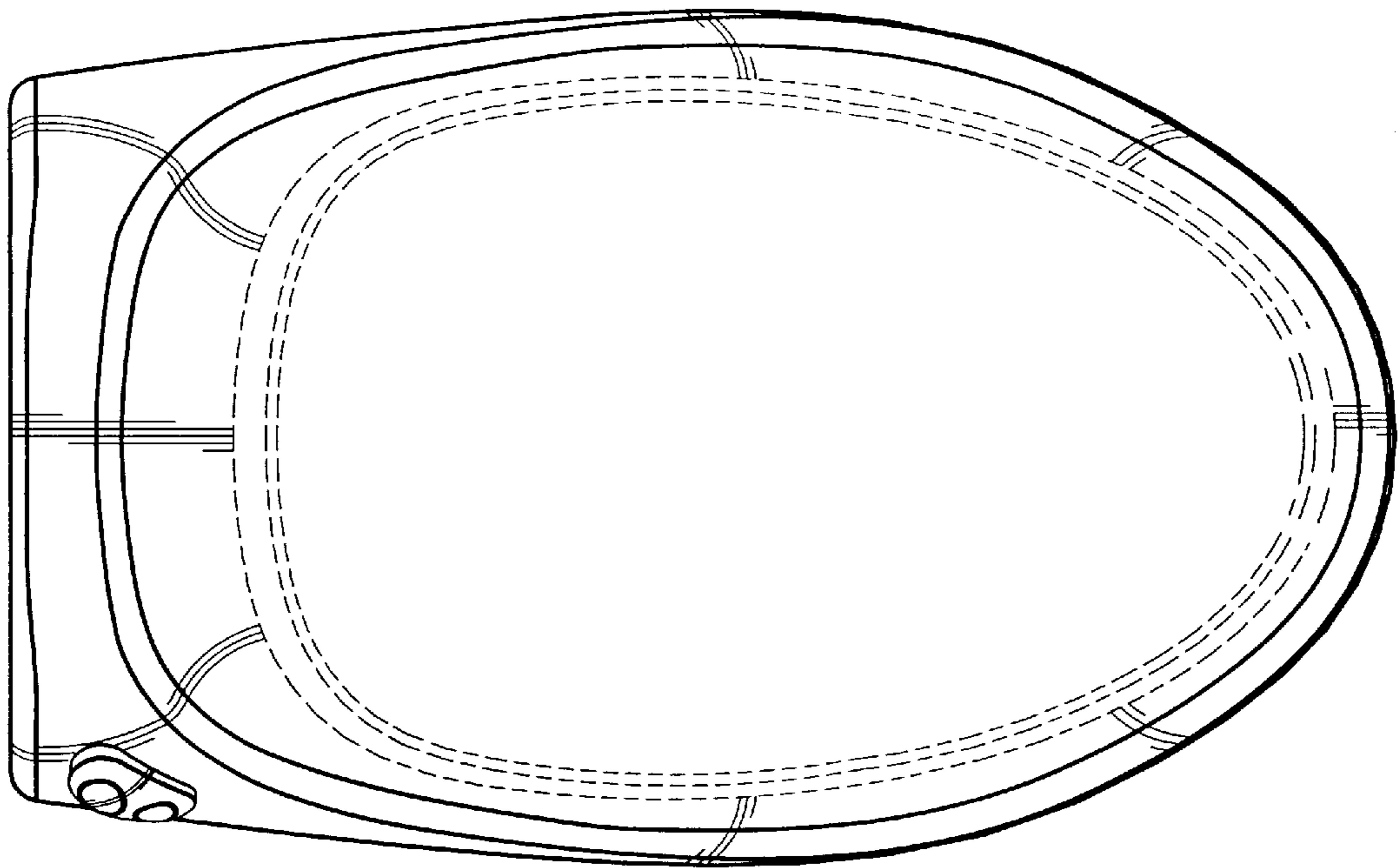


Figure - 5

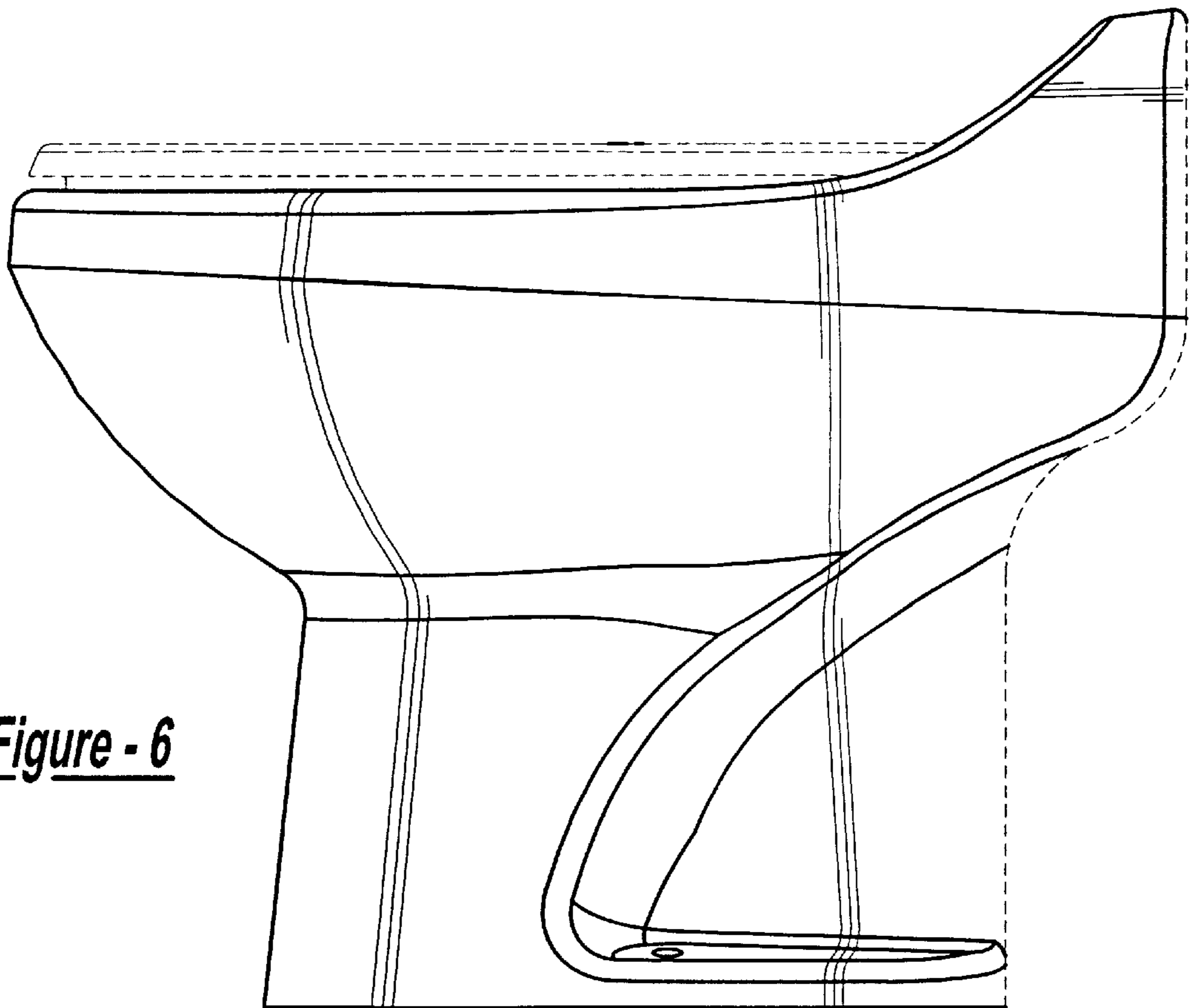


Figure - 6