



US00D438940S

(12) **United States Design Patent**
Christmas

(10) **Patent No.:** **US D438,940 S**

(45) **Date of Patent:** **** Mar. 13, 2001**

(54) **CARICATURE TOILET AND WATER TANK**

5,907,873 * 6/1999 Brandolf 4/246.1

(76) Inventor: **Eyon Neal Christmas**, 9927 DeSoto Ave., #32, Chatsworth, CA (US) 91311

* cited by examiner

(**) Term: **14 Years**

Primary Examiner—Louis S. Zarfes
Assistant Examiner—Robert A. Delehanty
(74) *Attorney, Agent, or Firm*—Albert O. Cota

(21) Appl. No.: **29/119,695**

(57) **CLAIM**

(22) Filed: **Mar. 6, 2000**

The ornamental design for a caricature toilet and water tank, as shown and described.

(51) **LOC (7) Cl.** **23-02**

(52) **U.S. Cl.** **D23/298**

(58) **Field of Search** D23/273, 295–301, D23/303, 309–313; 4/253, 300, 301, 321, 328, 329, 245.1, 245.6, 353, 419, 420, 443, 444, 446, 234, 236, 242.1, 901–902, 246.1, 246.3, 246.5, DIG. 9; D24/156

DESCRIPTION

FIG. 1 is a perspective view of a caricature toilet and water tank with the toilet lid in an upward position showing my new design;

FIG. 2 is a perspective view thereof showing the toilet lid in a downward position thereof;

FIG. 3 is a front elevational view thereof;

FIG. 4 is a left-side elevational view thereof;

FIG. 5 is a top plan view thereof;

FIG. 6 is a bottom view thereof; and,

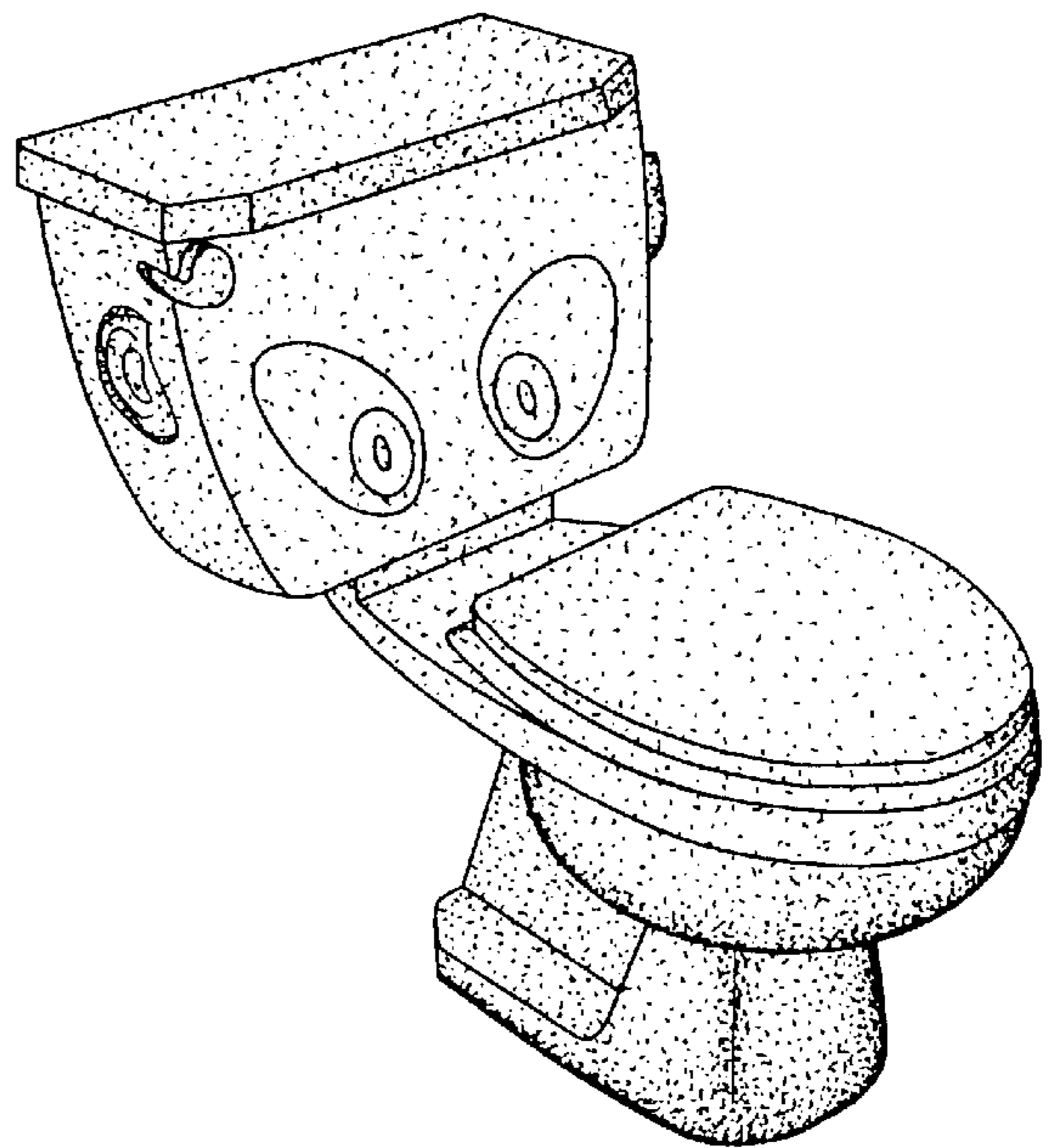
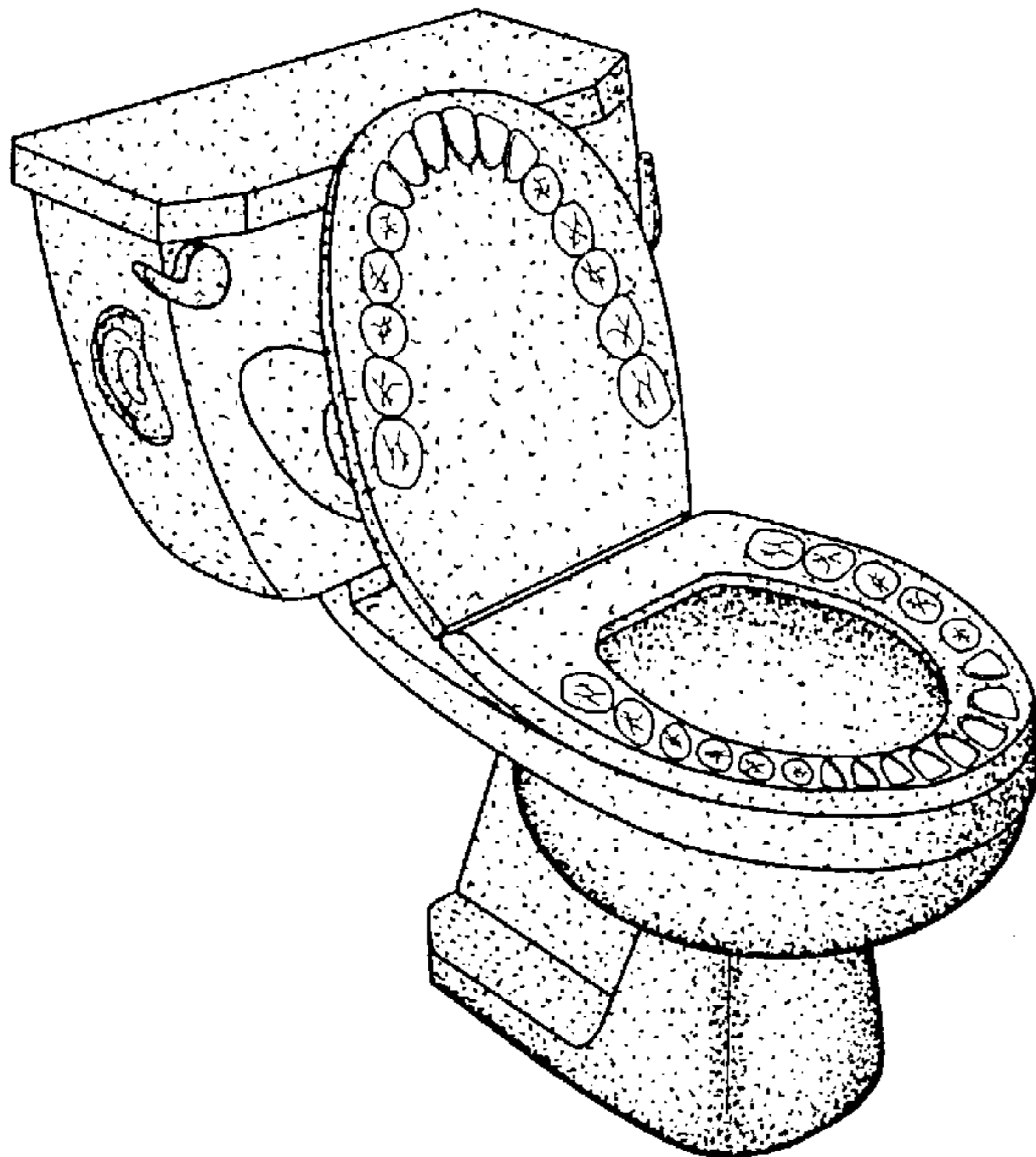
FIG. 7 is a rear elevational view thereof.

(56) **References Cited**

U.S. PATENT DOCUMENTS

- D. 346,854 * 5/1994 Reid D23/301
- D. 379,217 * 5/1997 Kergoet D23/295
- 3,462,837 * 8/1969 Andrews et al. D24/156
- 3,500,480 * 3/1970 Michal, Jr. 4/301

1 Claim, 2 Drawing Sheets



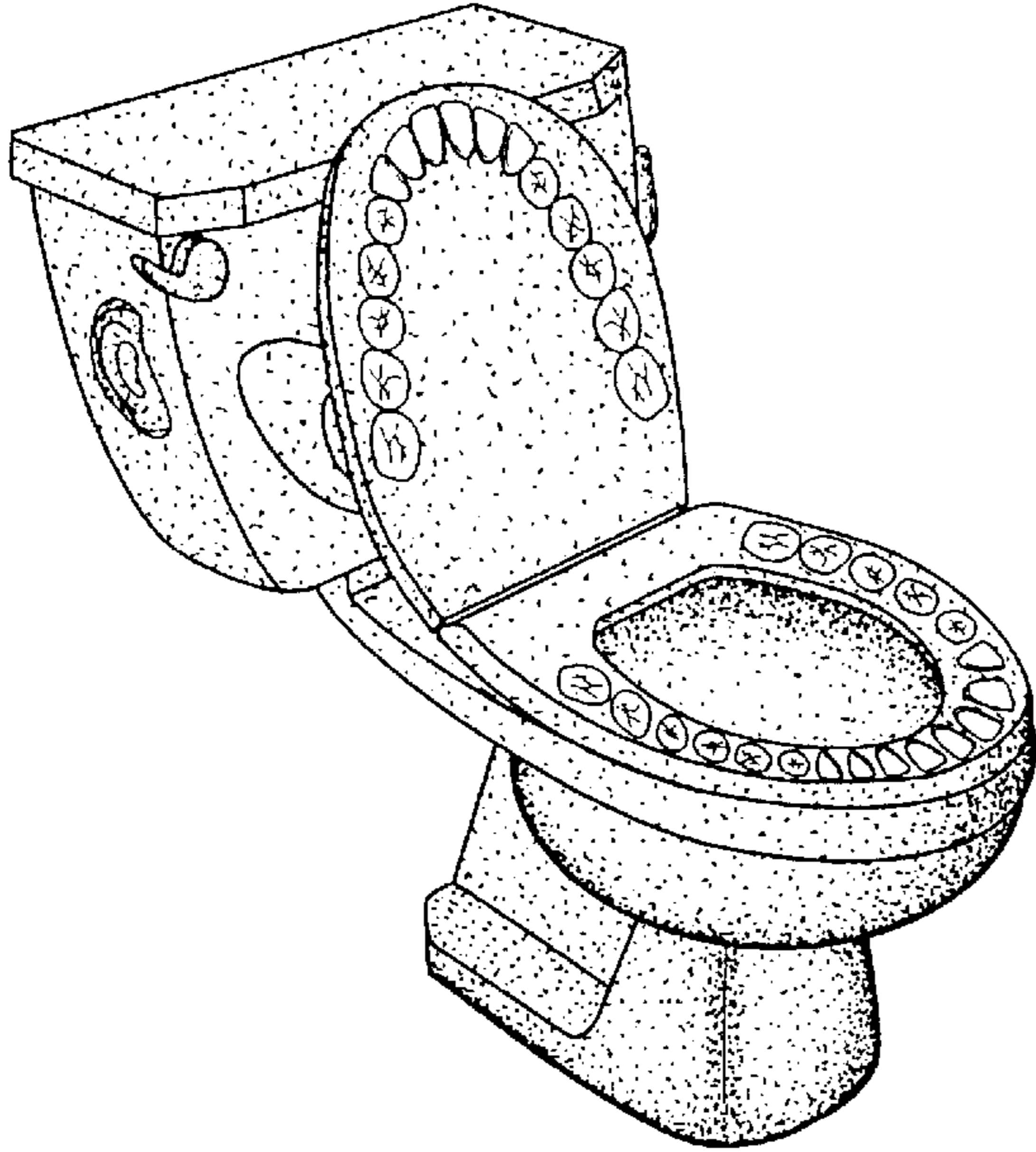


FIG. 1

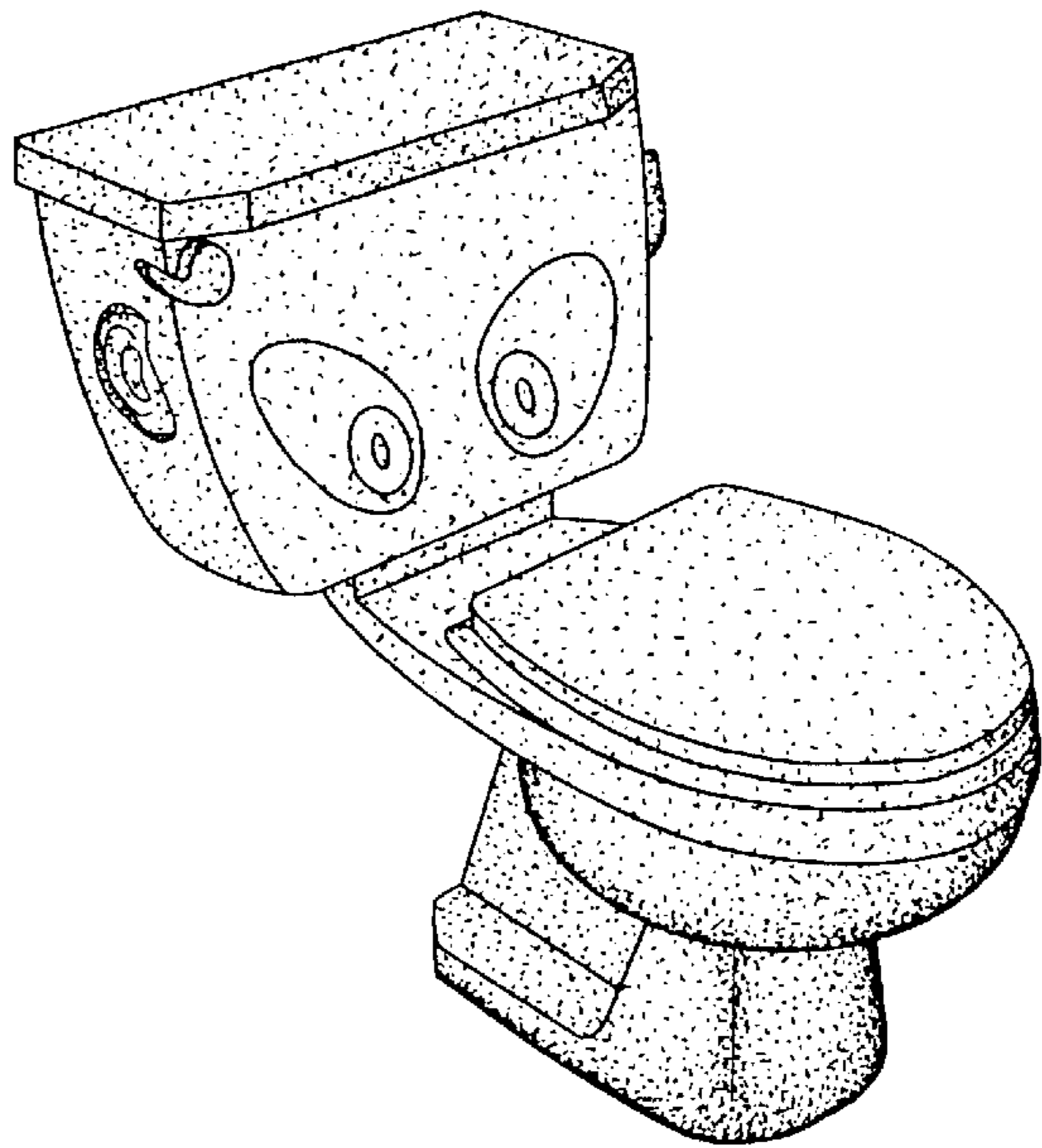


FIG. 2

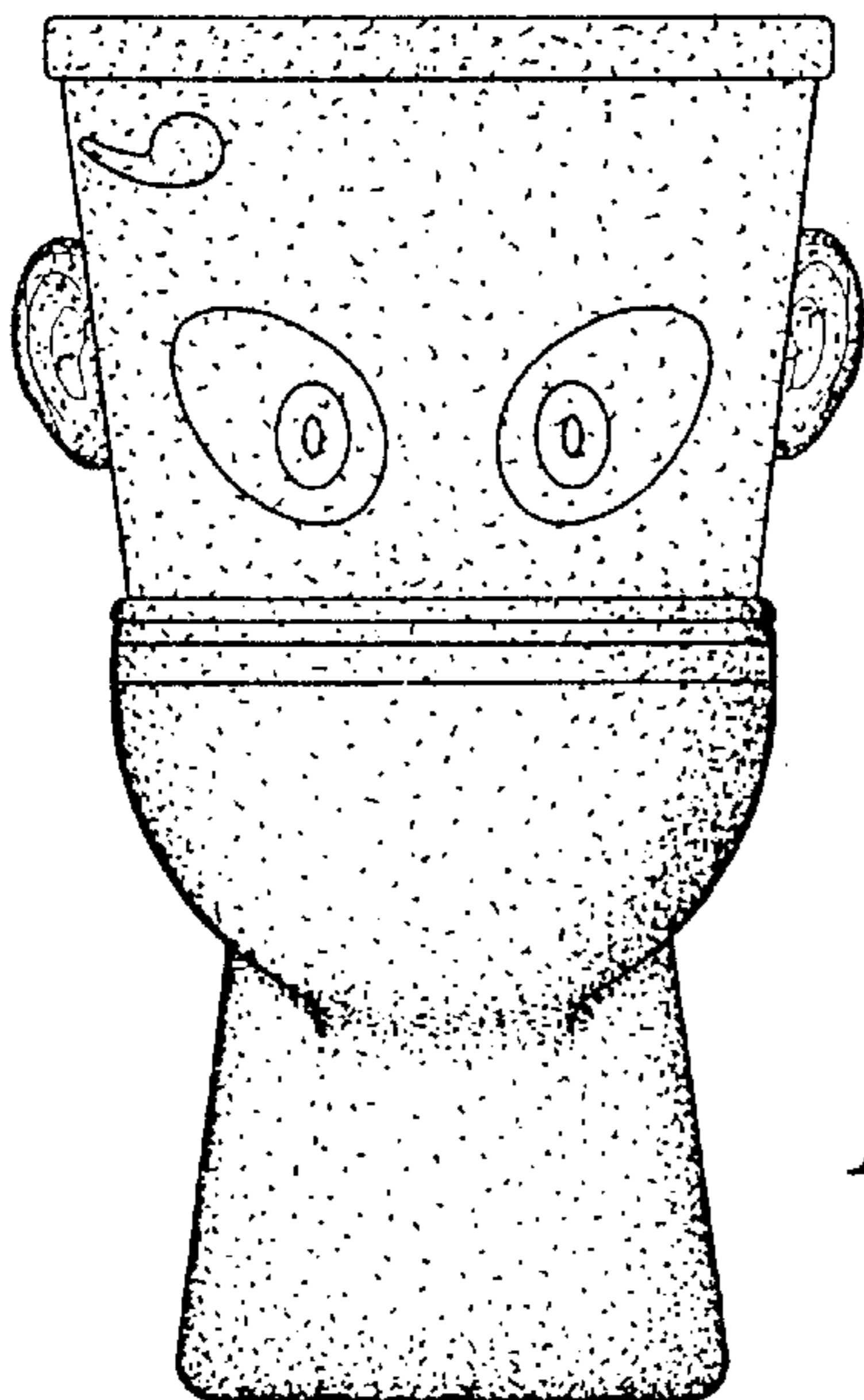


FIG. 3

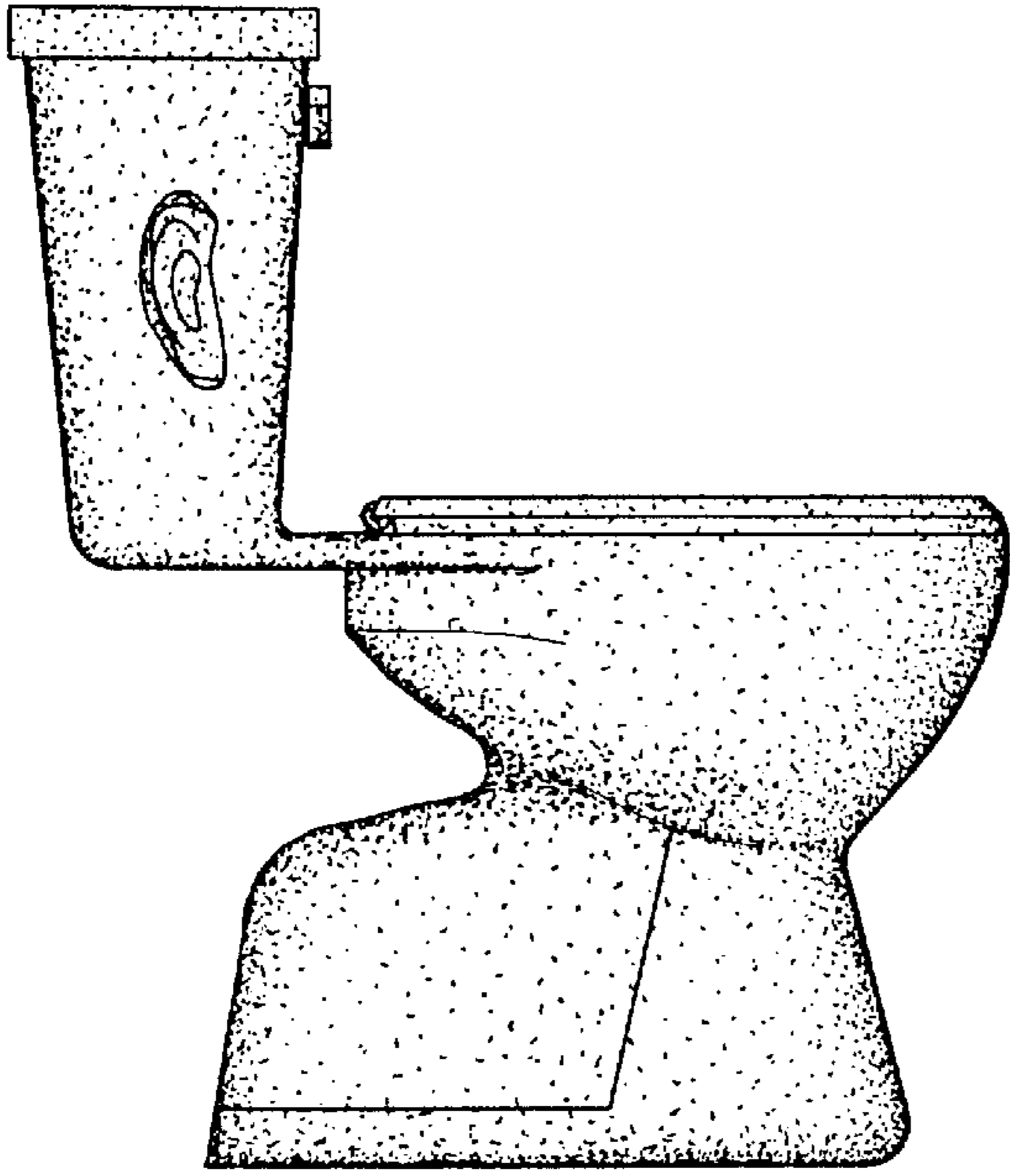


FIG. 4

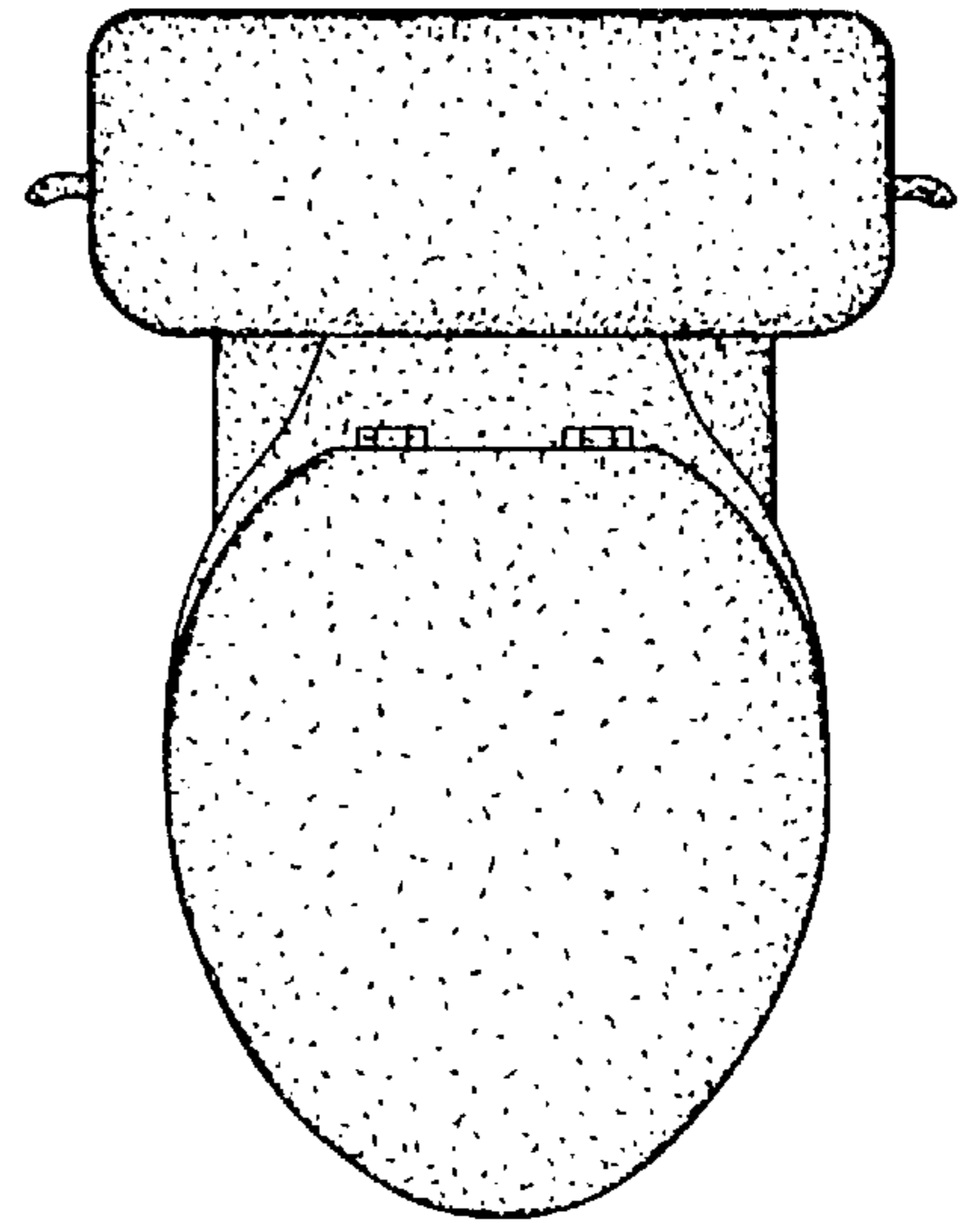


FIG. 5

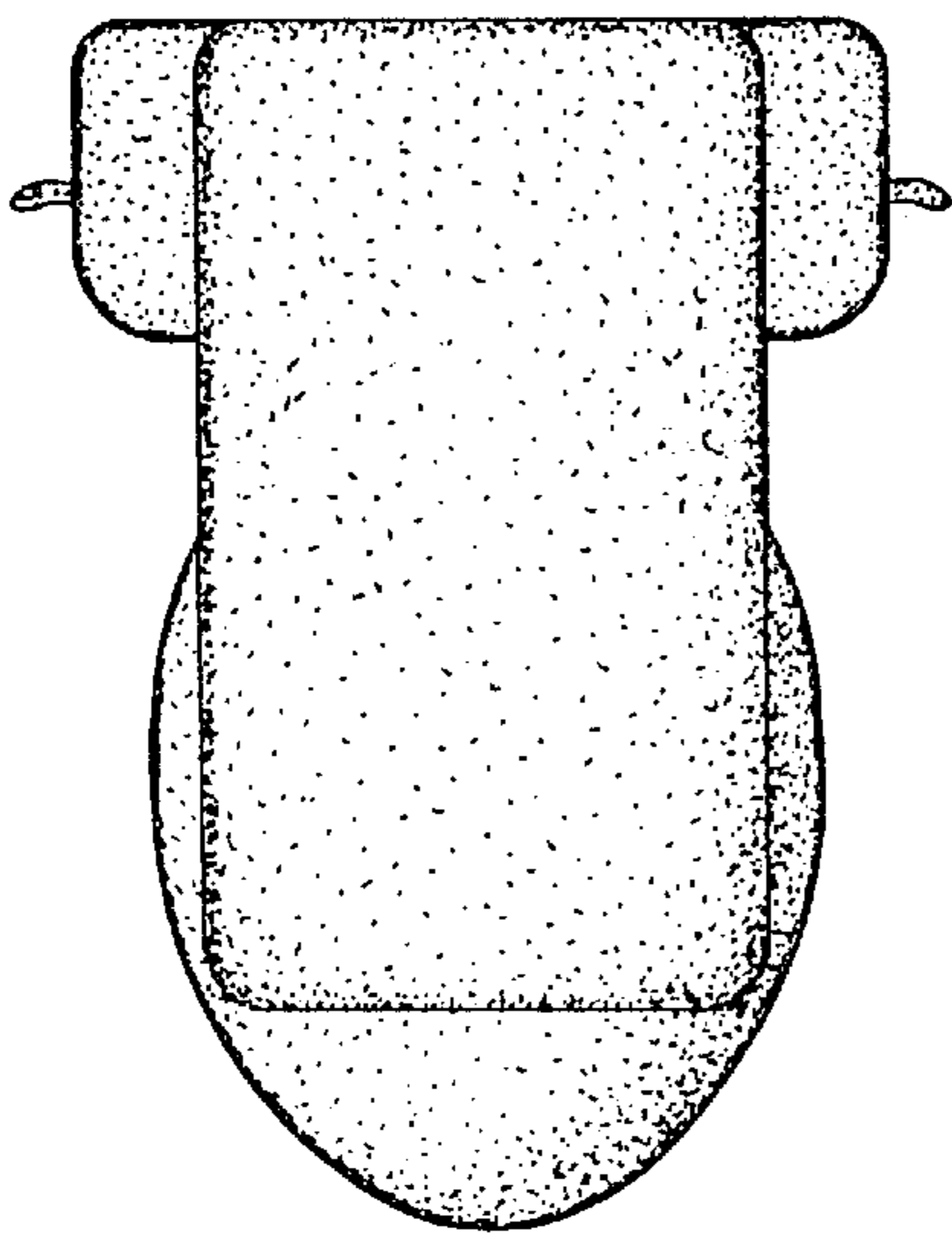


FIG. 6

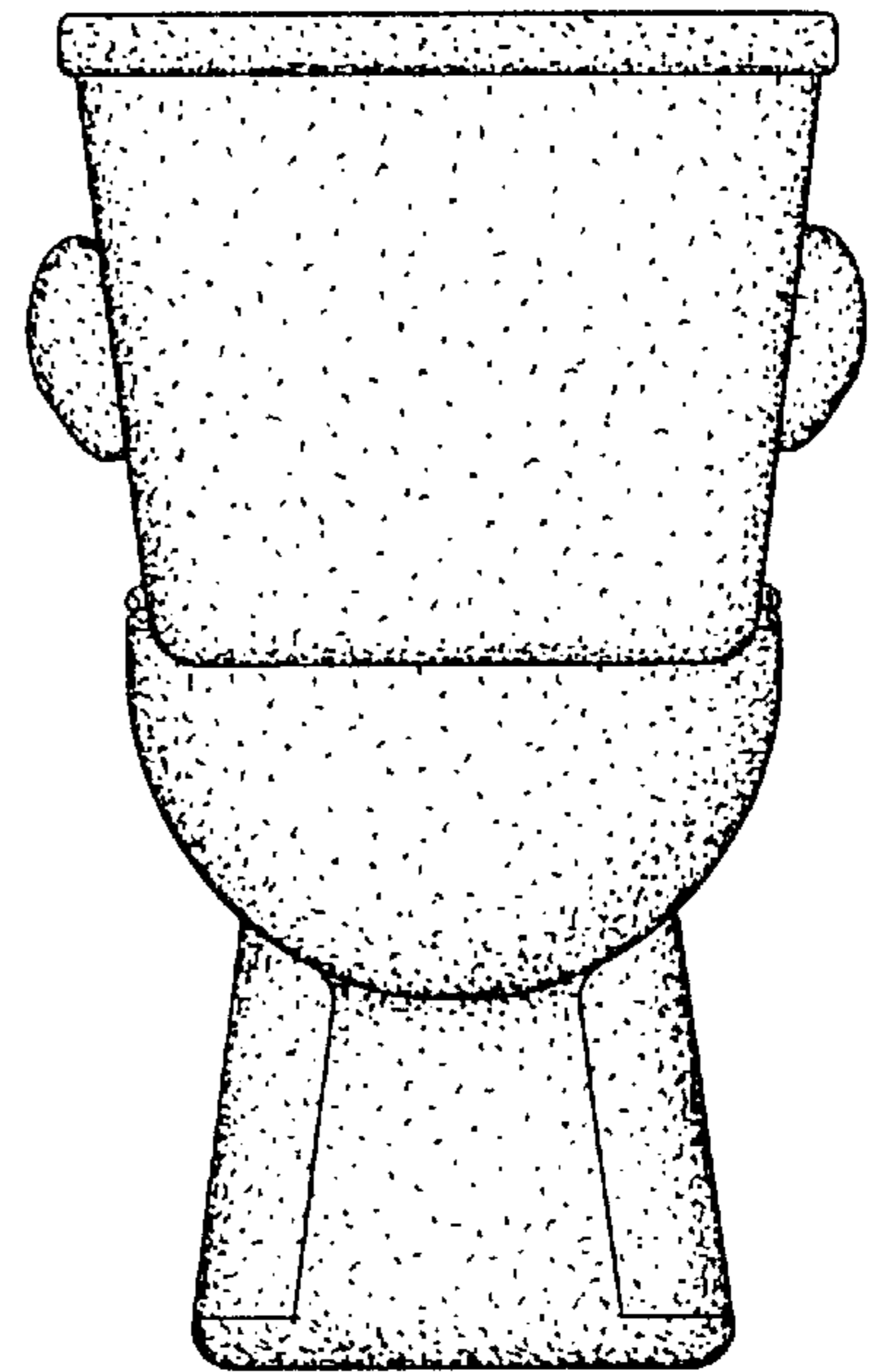


FIG. 7