



US00D438939S

(12) **United States Design Patent**
Kawamura

(10) **Patent No.:** **US D438,939 S**

(45) **Date of Patent:** **** Mar. 13, 2001**

(54) **WATER CLOSET**

(75) Inventor: **Sejiro Kawamura**, Kitakyushu (JP)

(73) Assignee: **Toto Ltd.**, Kitakyushu (JP)

(**) Term: **14 Years**

(21) Appl. No.: **29/111,470**

(22) Filed: **Sep. 29, 1999**

(51) **LOC (7) Cl.** **23-02**

(52) **U.S. Cl.** **D23/295**

(58) **Field of Search** D23/273, 295-301,
D23/303, 309-313; 4/253, 300, 321, 328-329,
245.1, 245.6, 353, 419, 420, 444, 446,
234, 236, 242.1, 901-902, 246.1, 246.3,
246.5, DIG. 8

(56) **References Cited**

U.S. PATENT DOCUMENTS

- D. 299,049 * 12/1988 Reid D23/313 X
- D. 311,242 * 10/1990 Reid D23/301

- D. 373,818 * 9/1996 Sanchez et al. D23/301
- D. 410,998 * 6/1999 Jones D23/301

* cited by examiner

Primary Examiner—Louis S. Zarfes

Assistant Examiner—Robert A. Delehanty

(74) *Attorney, Agent, or Firm*—Birch, Stewart, Kolasch & Birch, LLP

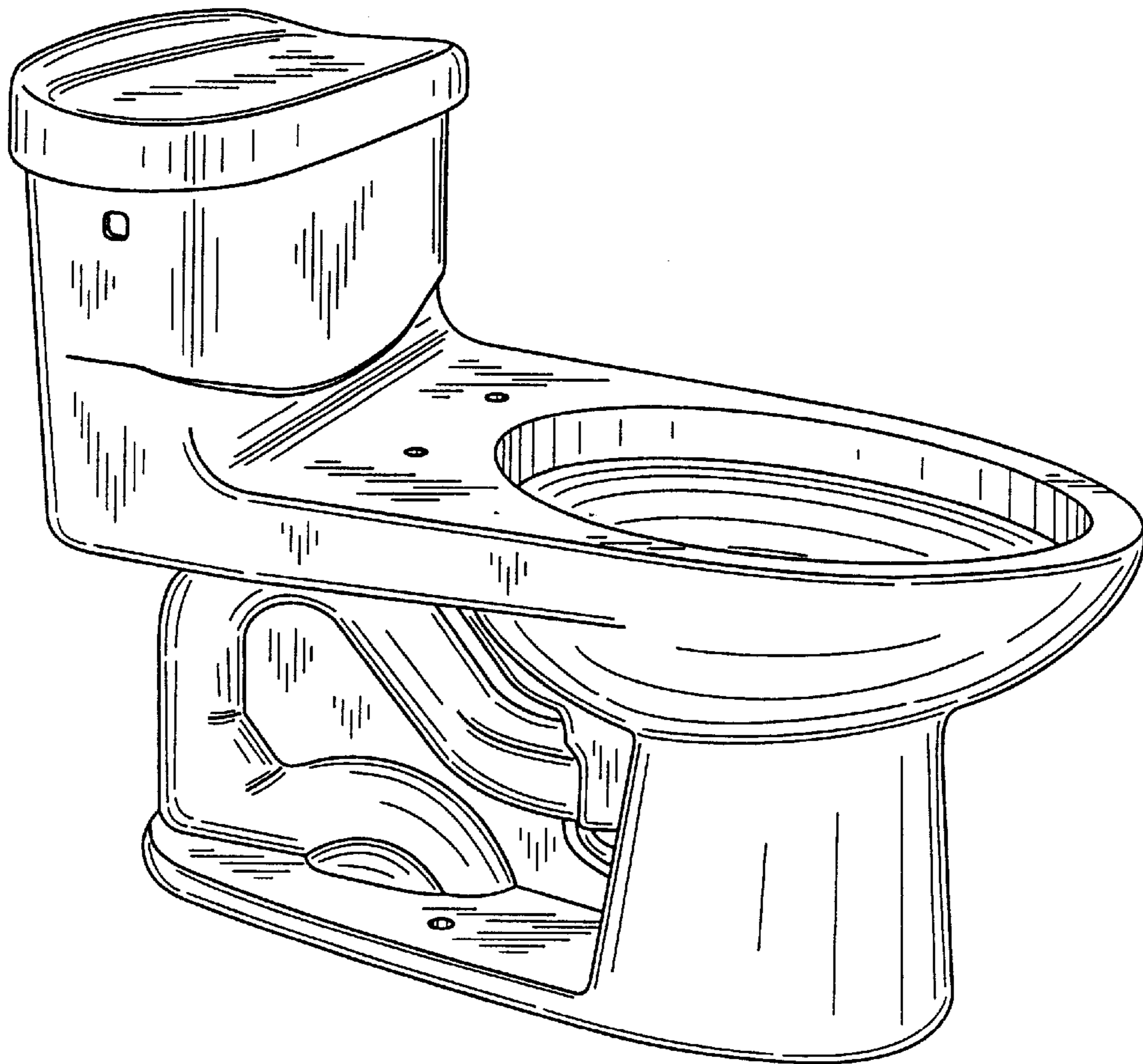
(57) **CLAIM**

The ornamental design for a water closet, as shown and described.

DESCRIPTION

FIG. 1 is a front, right perspective view of a water closet showing my new design;
FIG. 2 is a right side elevational view thereof;
FIG. 3 is a left side elevational view thereof;
FIG. 4 is a front elevational view thereof;
FIG. 5 is a top plan view thereof; and,
FIG. 6 is a rear elevational view thereof.

1 Claim, 3 Drawing Sheets



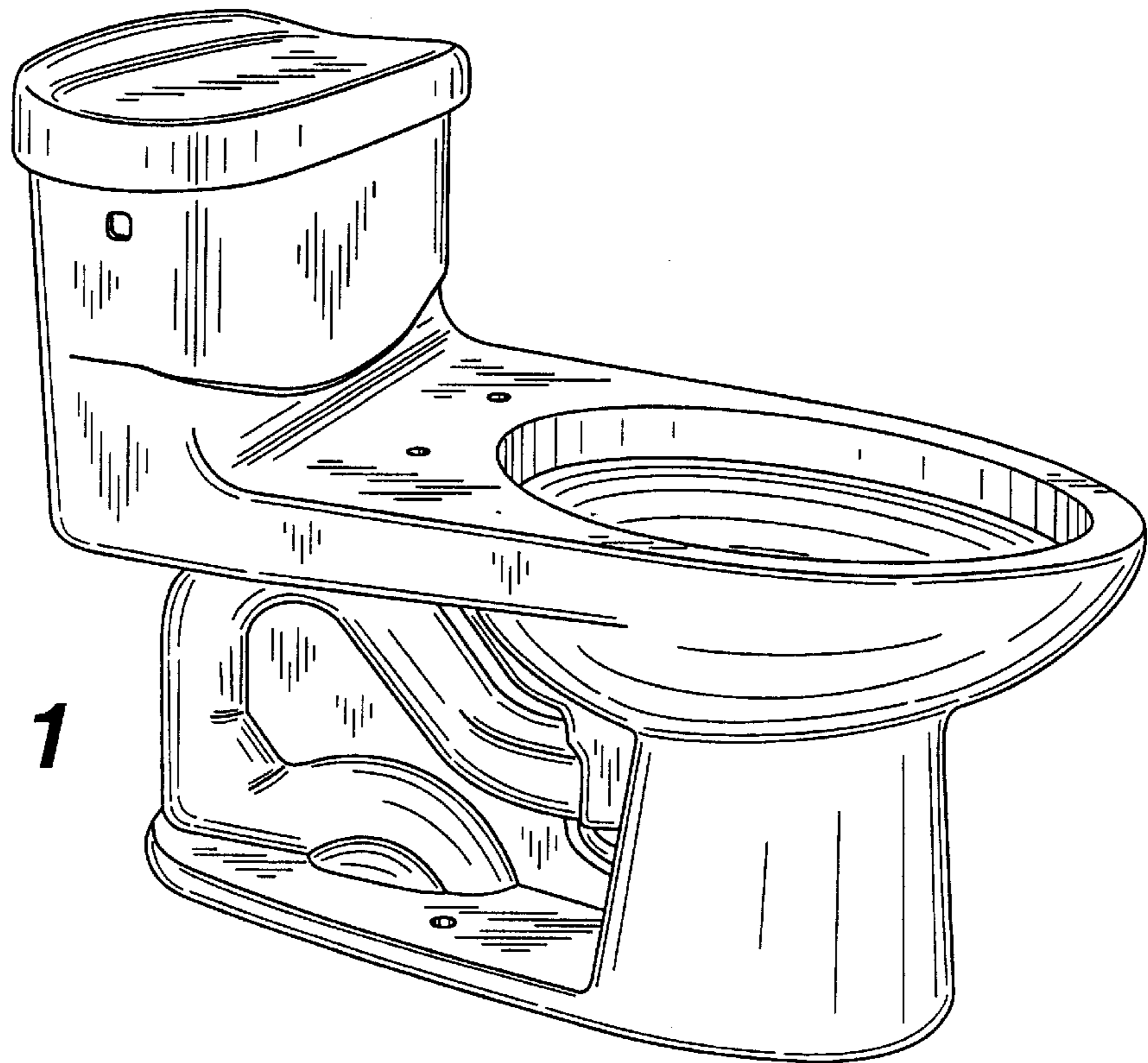


FIG. 1

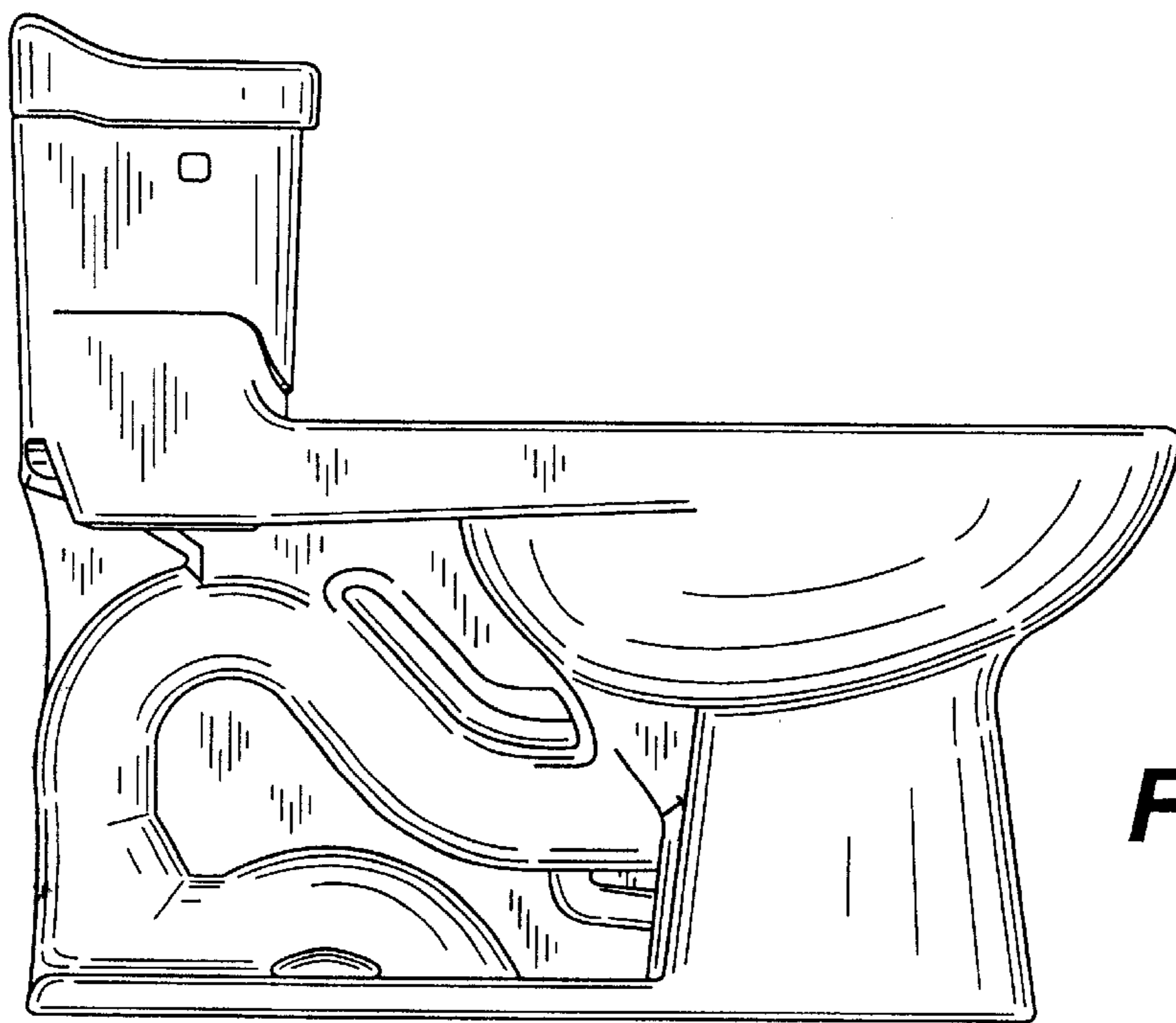


FIG. 2

FIG. 3

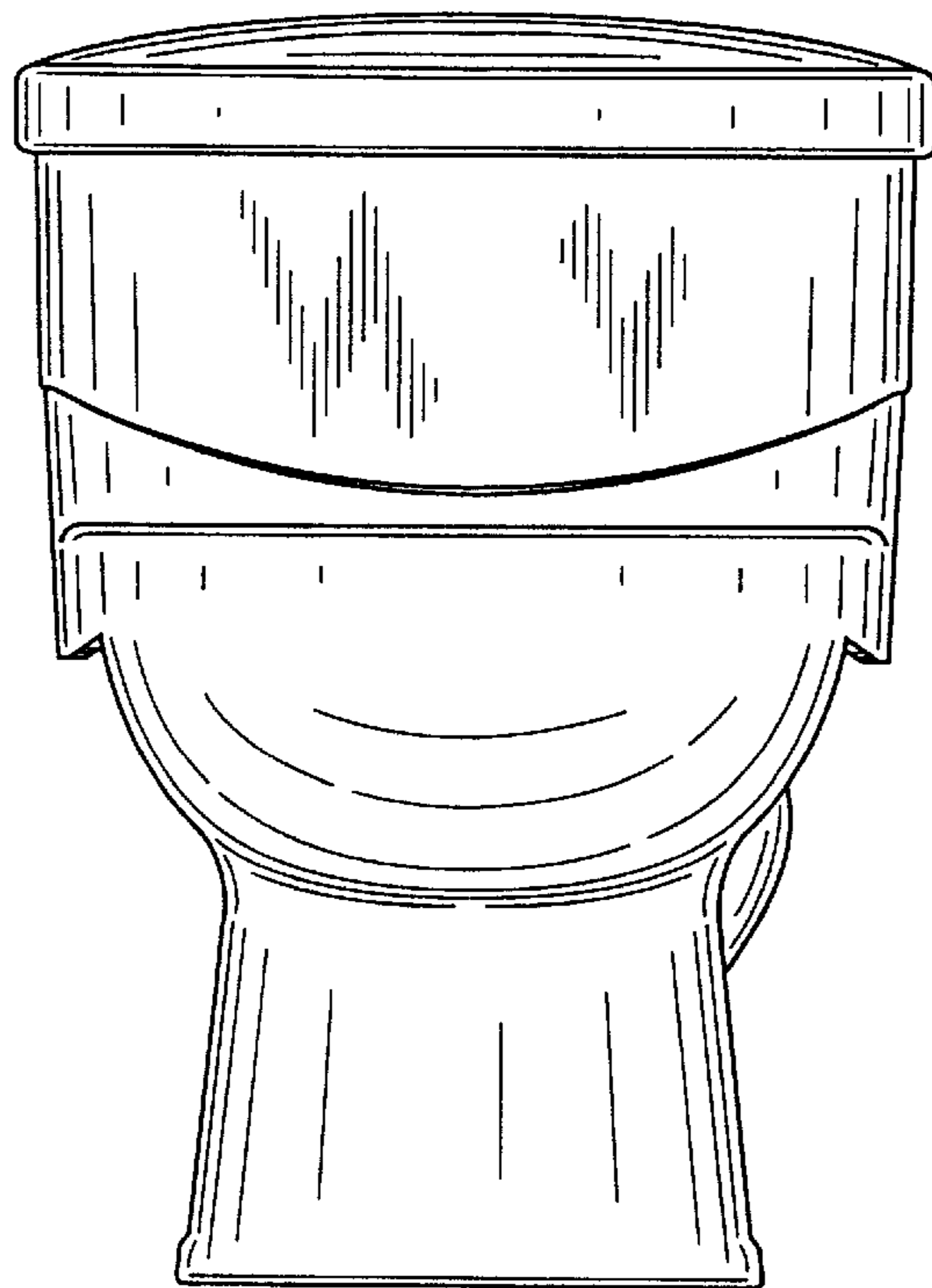
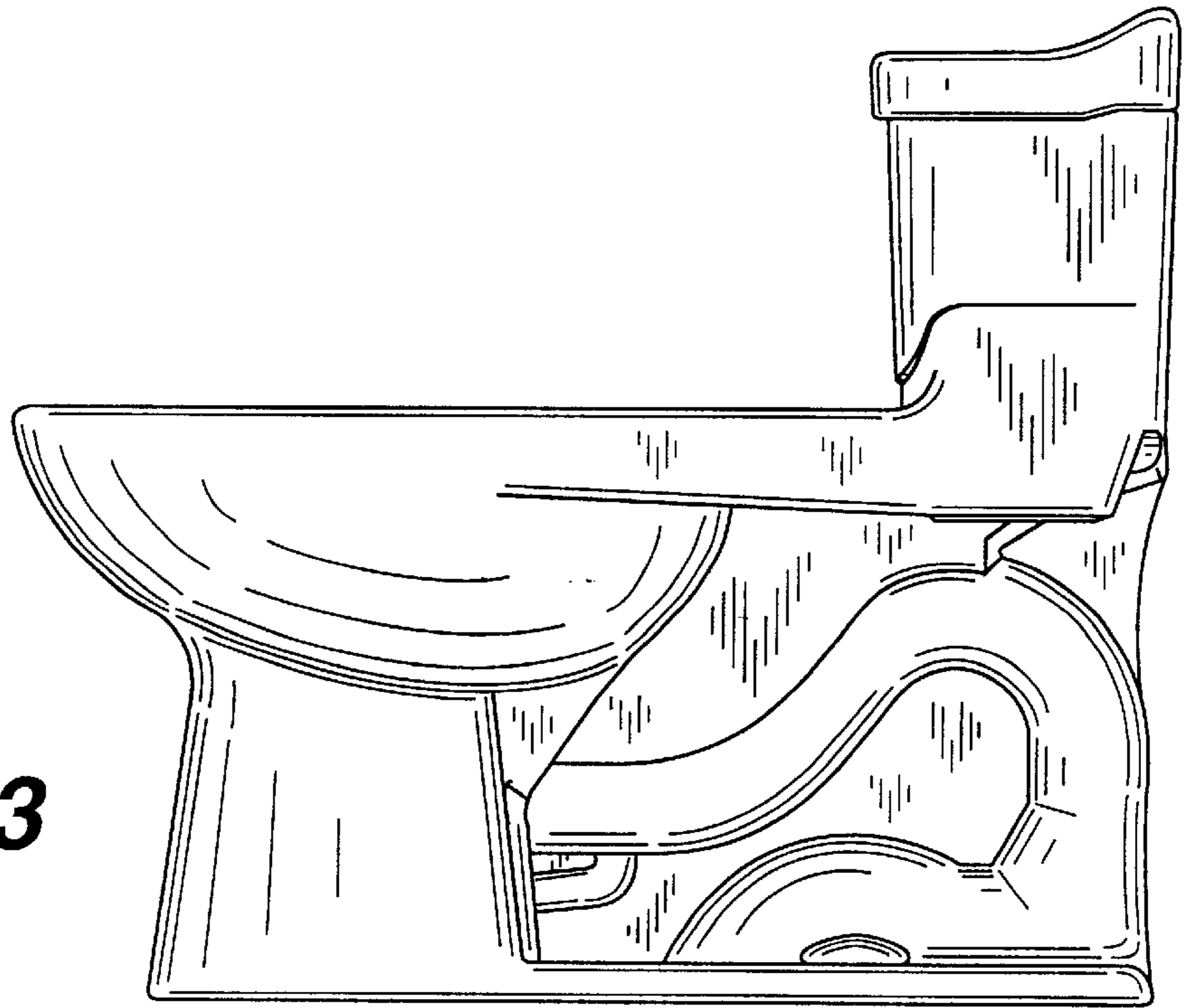


FIG. 4

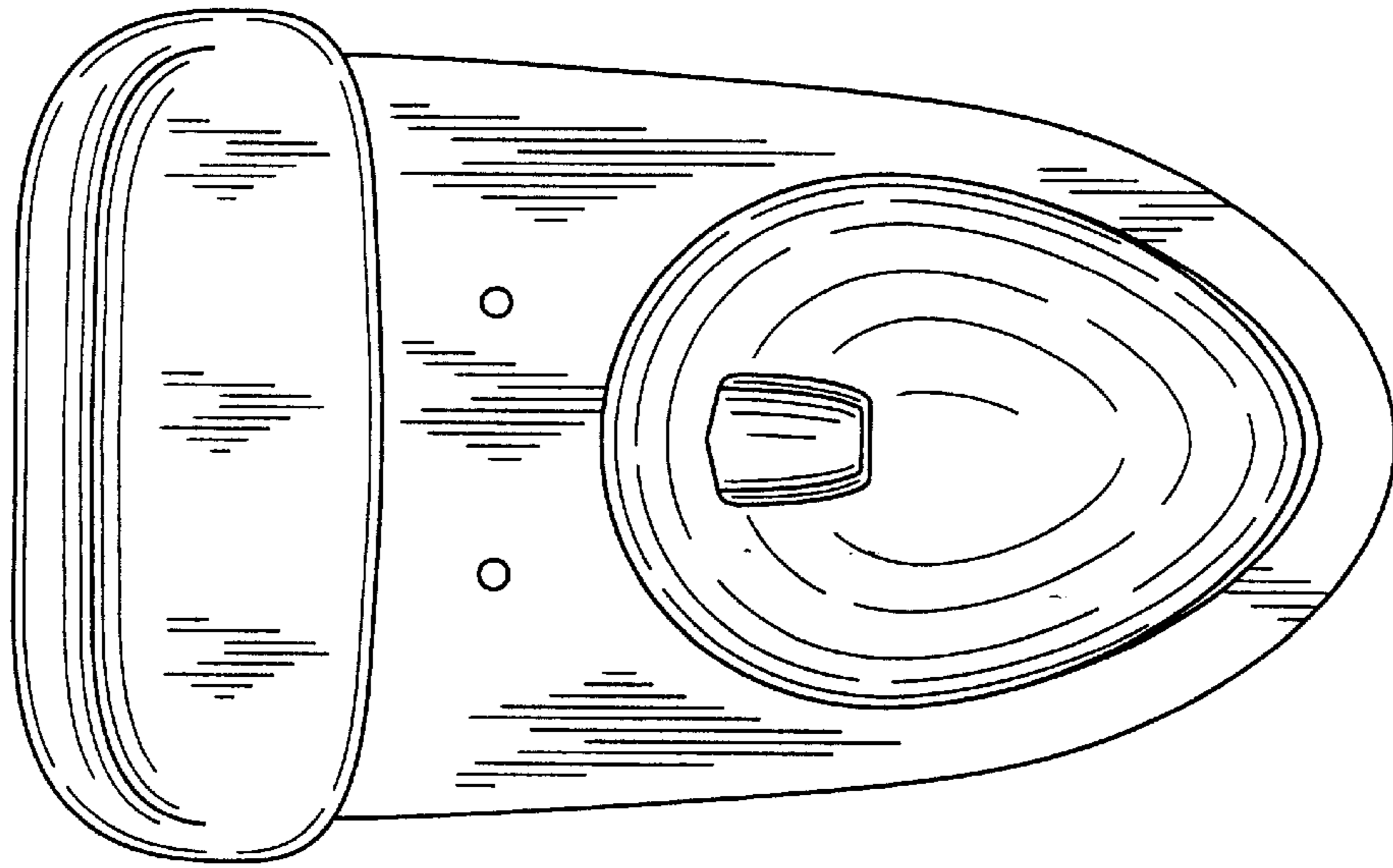


FIG. 5

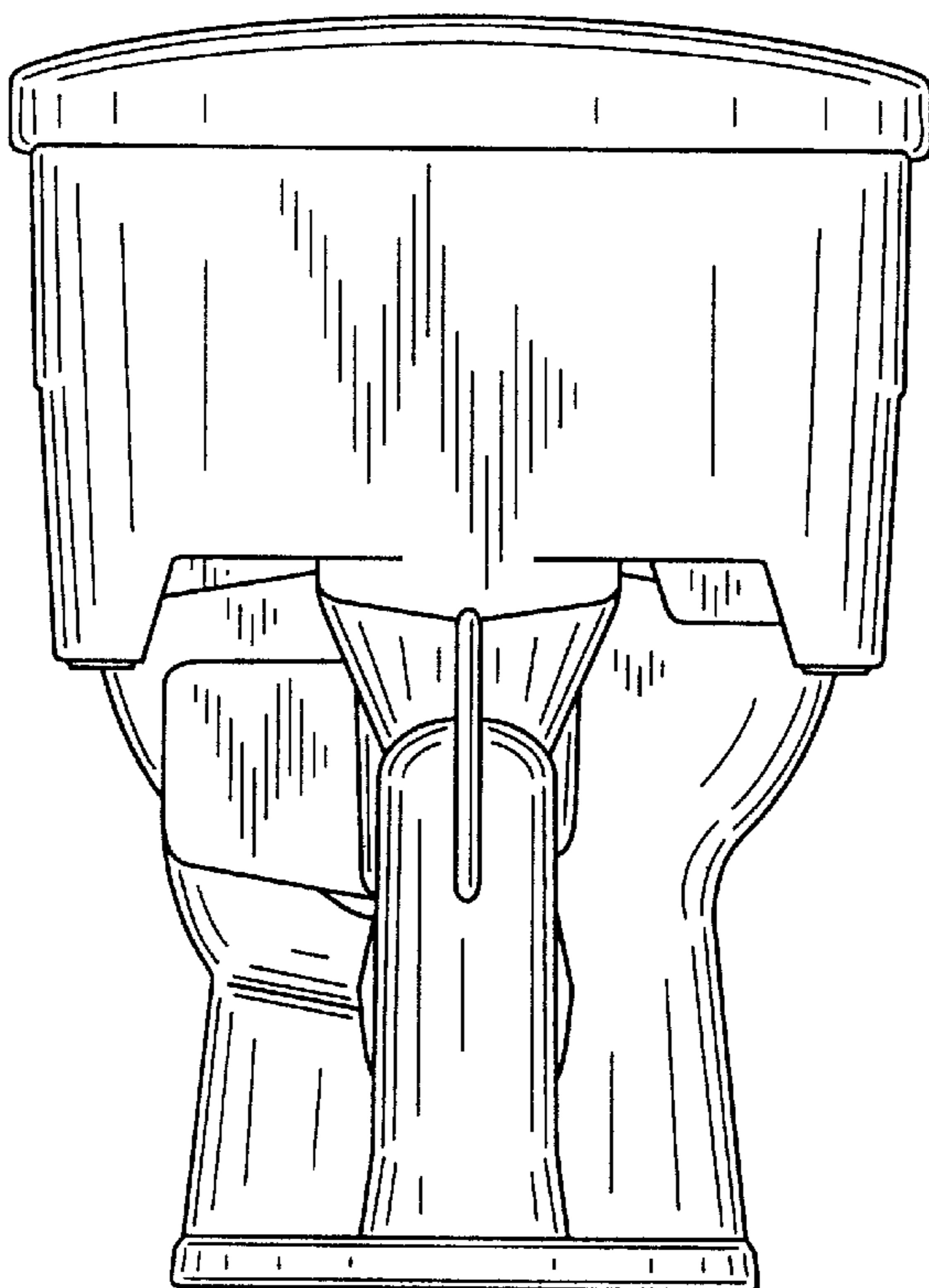


FIG. 6