



US00D438937S

(12) **United States Design Patent**
Tolosa

(10) **Patent No.:** **US D438,937 S**

(45) **Date of Patent:** **** Mar. 13, 2001**

(54) **FAUCET HANDLE**

(75) **Inventor:** **Alvin Tolosa**, Ventura, CA (US)

(73) **Assignee:** **Emhart Inc.**, Newark, DE (US)

(**) **Term:** **14 Years**

(21) **Appl. No.:** **29/120,094**

(22) **Filed:** **Feb. 17, 2000**

(51) **LOC (7) Cl.** **23-01**

(52) **U.S. Cl.** **D23/252**

(58) **Field of Search** D23/238-242,
D23/249-257; D8/300, 310, 350, 352, 307,
308; 16/121

(56) **References Cited**

U.S. PATENT DOCUMENTS

D. 65,415	8/1924	Marple .	
D. 66,535	2/1925	Goodman .	
D. 76,671	10/1928	Devereaux .	
D. 145,604	9/1946	Rausch .	
D. 221,431	8/1971	Petterson .	
D. 260,478	* 9/1981	Belaiche	D8/308
D. 297,257	8/1988	Kohler, Jr. et al. .	
D. 299,739	2/1989	Kohler, Jr. et al. .	
D. 303,140	* 8/1989	Robbins	D23/252
D. 323,022	1/1992	Ragonot .	
D. 335,811	* 5/1993	Bengston et al.	D8/310
D. 350,591	9/1994	Kawakami .	
D. 363,764	10/1995	Starck .	
D. 364,213	11/1995	Dannenberg et al. .	
D. 366,098	1/1996	Gottwald .	
D. 371,428	7/1996	Gottwald .	
D. 372,958	8/1996	Gottwald .	
D. 377,679	1/1997	Gottwald .	

D. 379,213	5/1997	Gottwald .	
D. 383,831	9/1997	Esche et al. .	
D. 387,137	12/1997	Donahue et al. .	
D. 389,229	1/1998	Kolada .	
D. 397,412	8/1998	Slothower et al. .	
D. 398,039	9/1998	Ku .	
D. 408,895	4/1999	Lai .	
D. 420,430	* 2/2000	Lobermeier	D23/238

* cited by examiner

Primary Examiner—Louis S. Zarfes

Assistant Examiner—Gregory Andoll

(74) *Attorney, Agent, or Firm*—Edward D. Murphy; John D. Del Ponti

(57) **CLAIM**

The ornamental design for a faucet handle, as shown and described.

DESCRIPTION

FIG. 1 is a perspective view of my new design of a faucet handle;

FIG. 2 is a left side elevational view of my new design of the faucet handle; the right side being a mirror image;

FIG. 3 is a rear elevational view of my new design of the faucet handle;

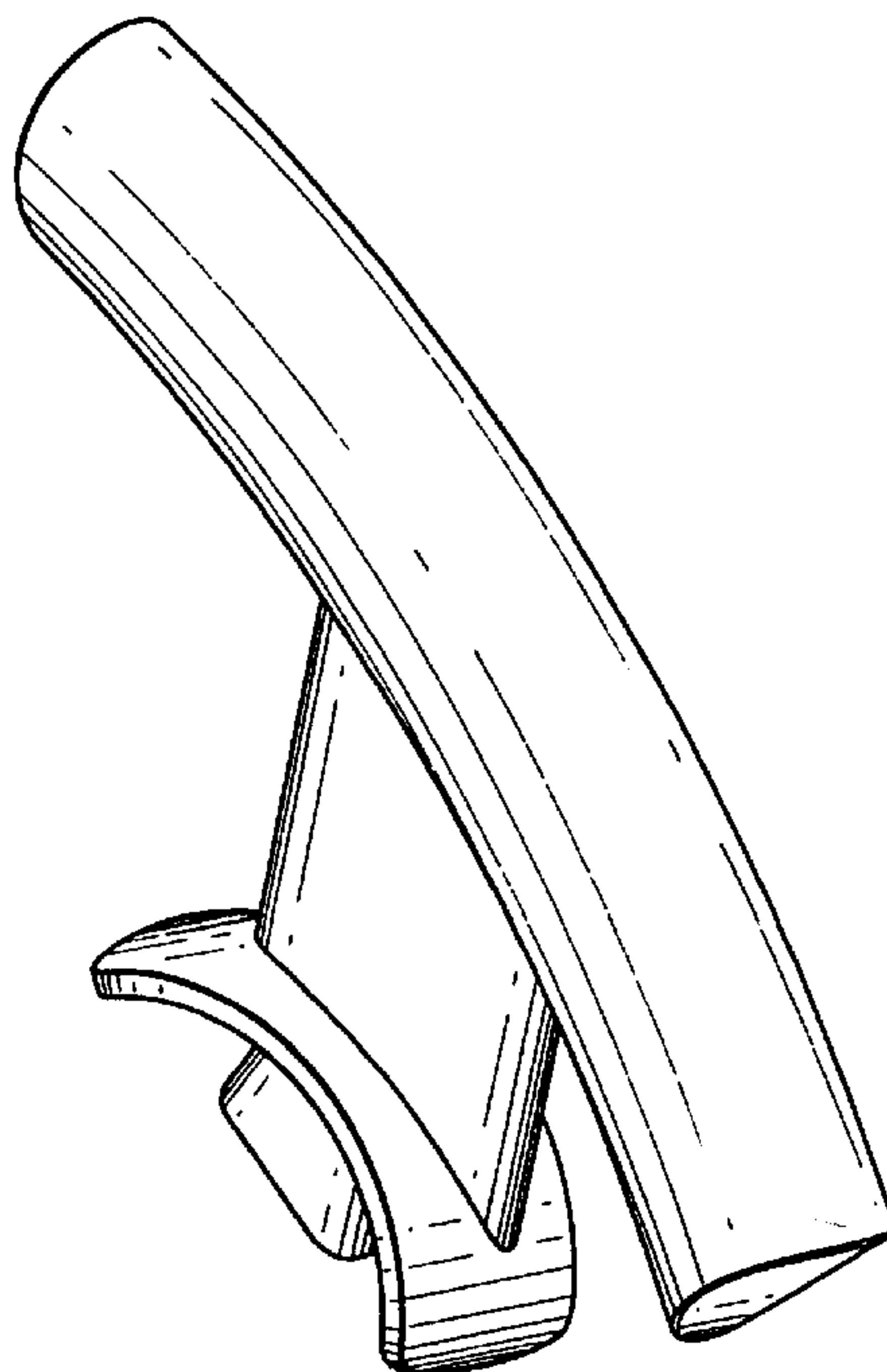
FIG. 4 is a front elevational view of my new design of the faucet handle;

FIG. 5 is a top plan view of my new design of the faucet handle; and,

FIG. 6 is a bottom plan view of my new design of the faucet handle.

The faucet to which the faucet handle is connected is not shown in any of the drawings and forms no part of the claimed design.

1 Claim, 2 Drawing Sheets



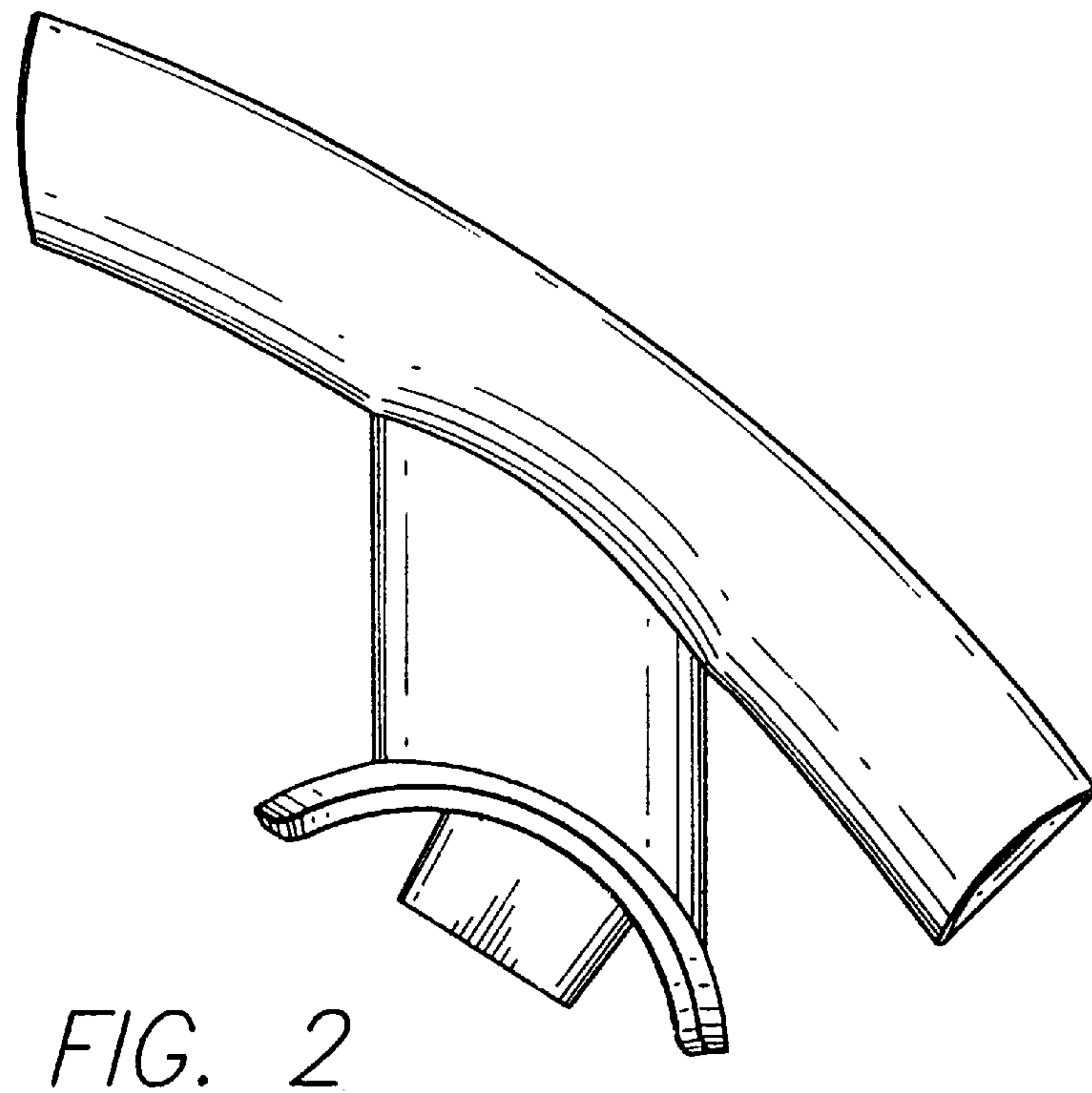
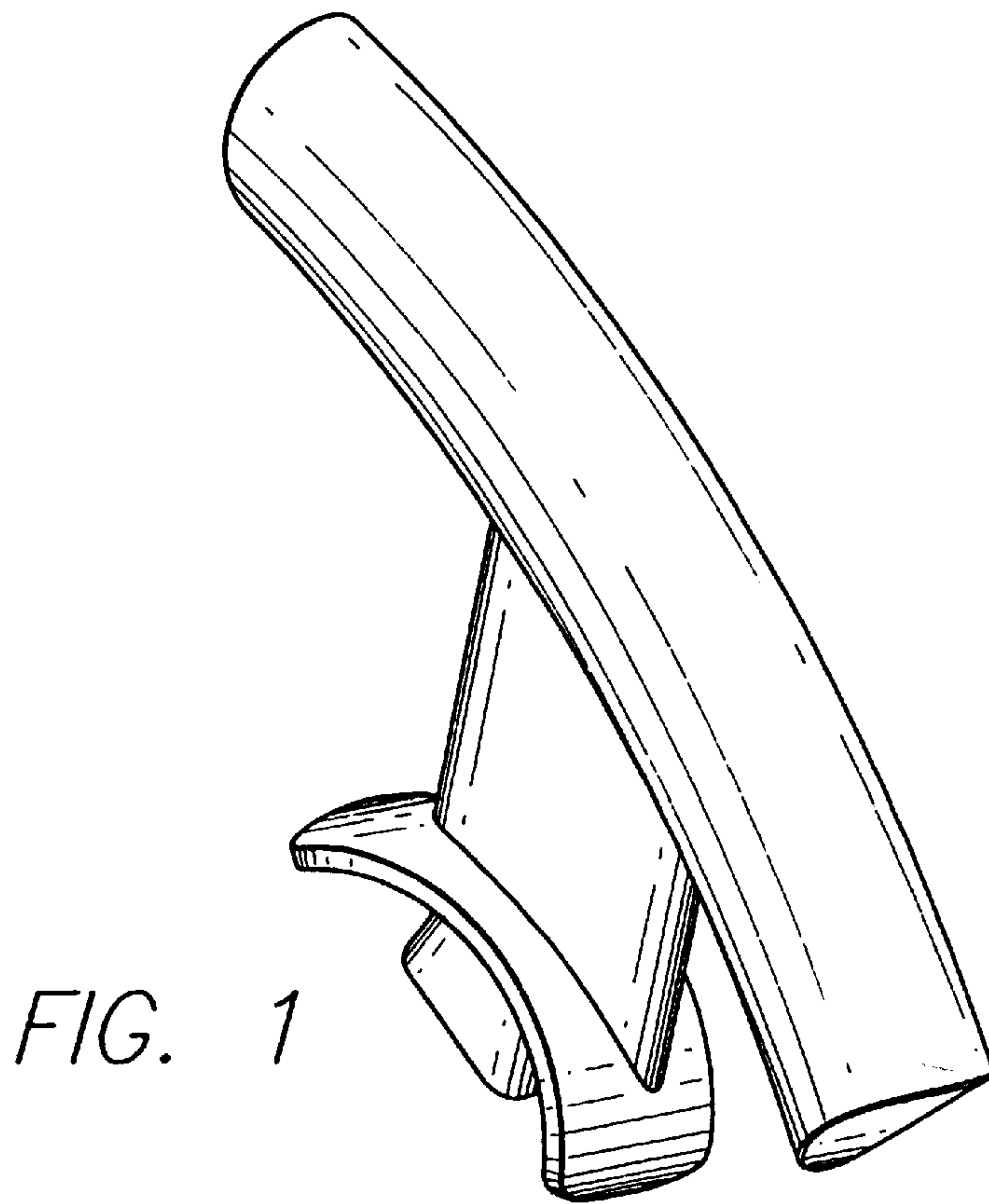


FIG. 3

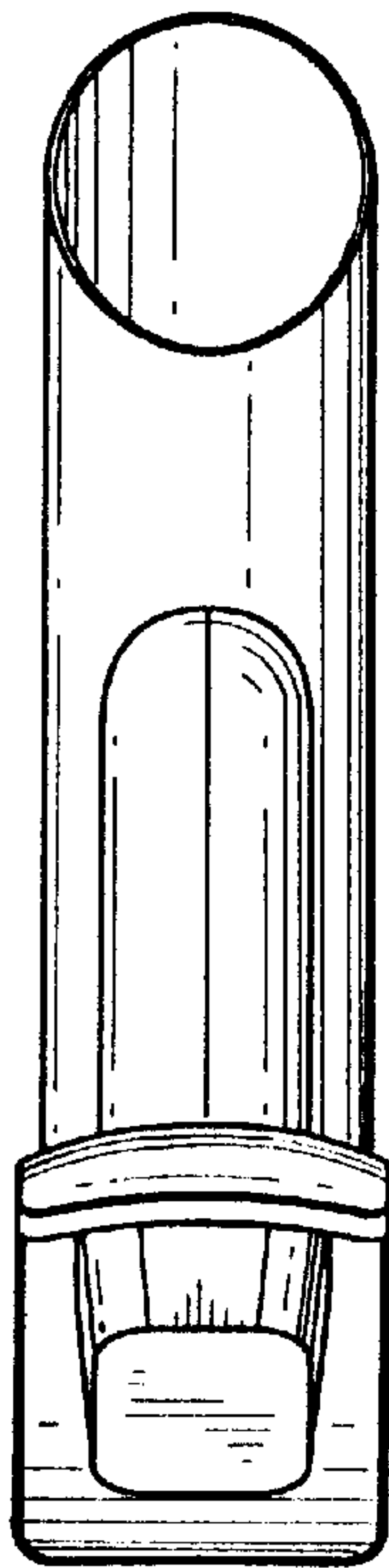


FIG. 4

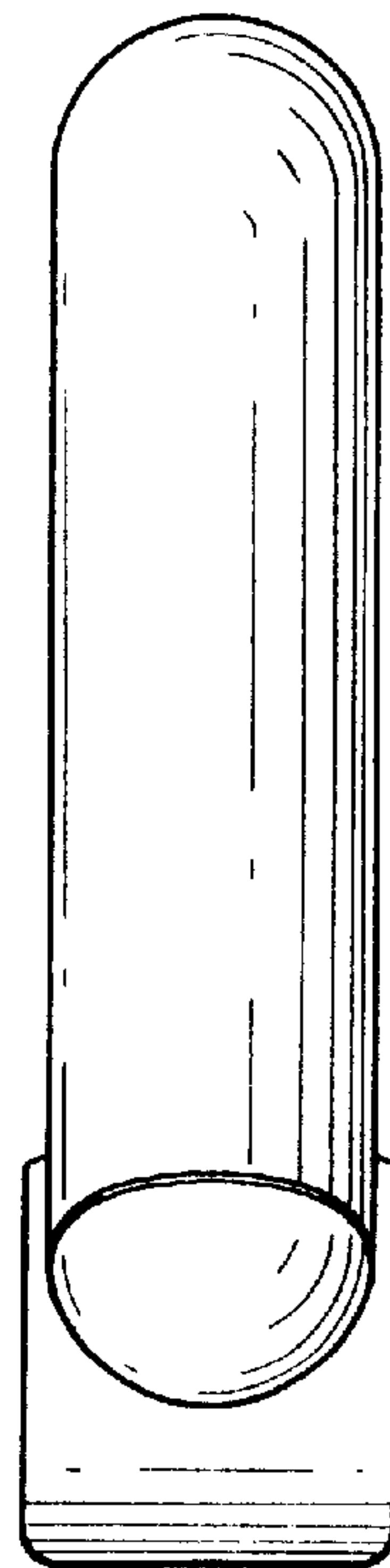


FIG. 5

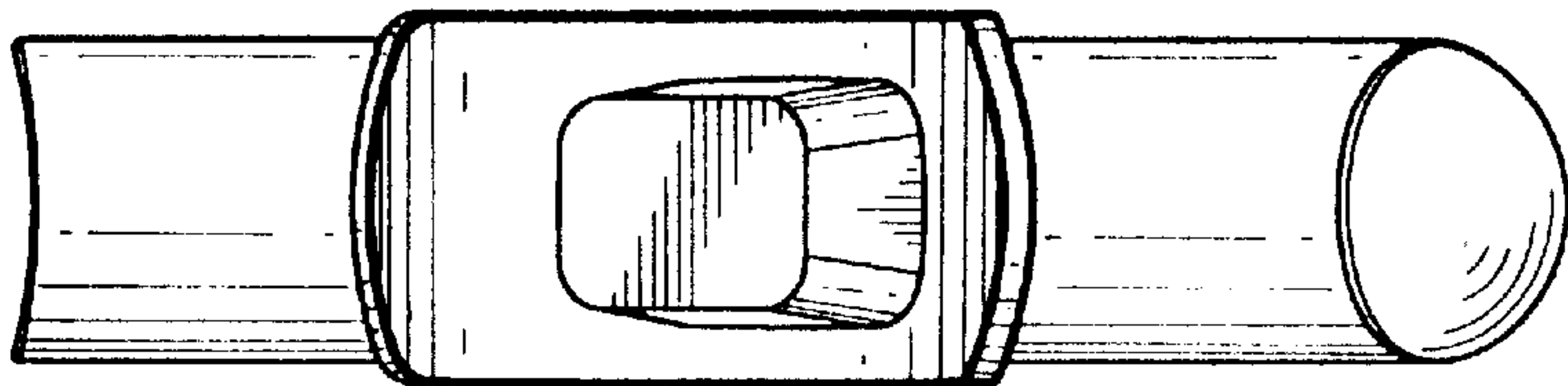
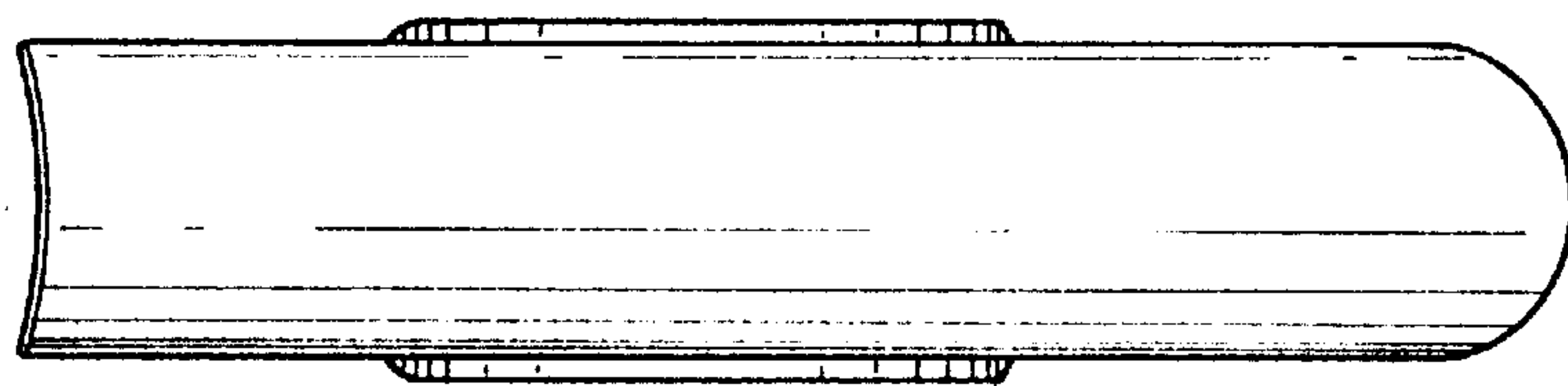


FIG. 6