



US00D438932S

(12) **United States Design Patent**
McKinney

(10) **Patent No.:** **US D438,932 S**

(45) **Date of Patent:** **** Mar. 13, 2001**

(54) **WASTE TREATMENT PLANT**

FOREIGN PATENT DOCUMENTS

(76) Inventor: **Jerry L. McKinney**, 1202 N. Main St.,
Lumberton, TX (US) 77657

WO 00/15322 3/2000 (WO) .
WO 00/15566 3/2000 (WO) .

(**) Term: **14 Years**

OTHER PUBLICATIONS

(21) Appl. No.: **29/123,102**

“Wastewater Technology,” Report No. S40-8-3, pp. 1-27,
32-34, National Sanitation Foundation, Ann Arbor, Michi-
gan, Dec. 1990, pp. 1-27 and 32-34.

(22) Filed: **May 10, 2000**

(List continued on next page.)

(51) **LOC (7) Cl.** **23-01**

(52) **U.S. Cl.** **D23/207**

(58) **Field of Search** D23/200, 207,
D23/209; 210/195.3, 220; 220/23.2, 4.12,
4.26

Primary Examiner—Robin V. Taylor

(74) *Attorney, Agent, or Firm*—Browning Bushman

(56) **References Cited**

(57) **CLAIM**

The ornamental design for a waste treatment plant, as shown
and described.

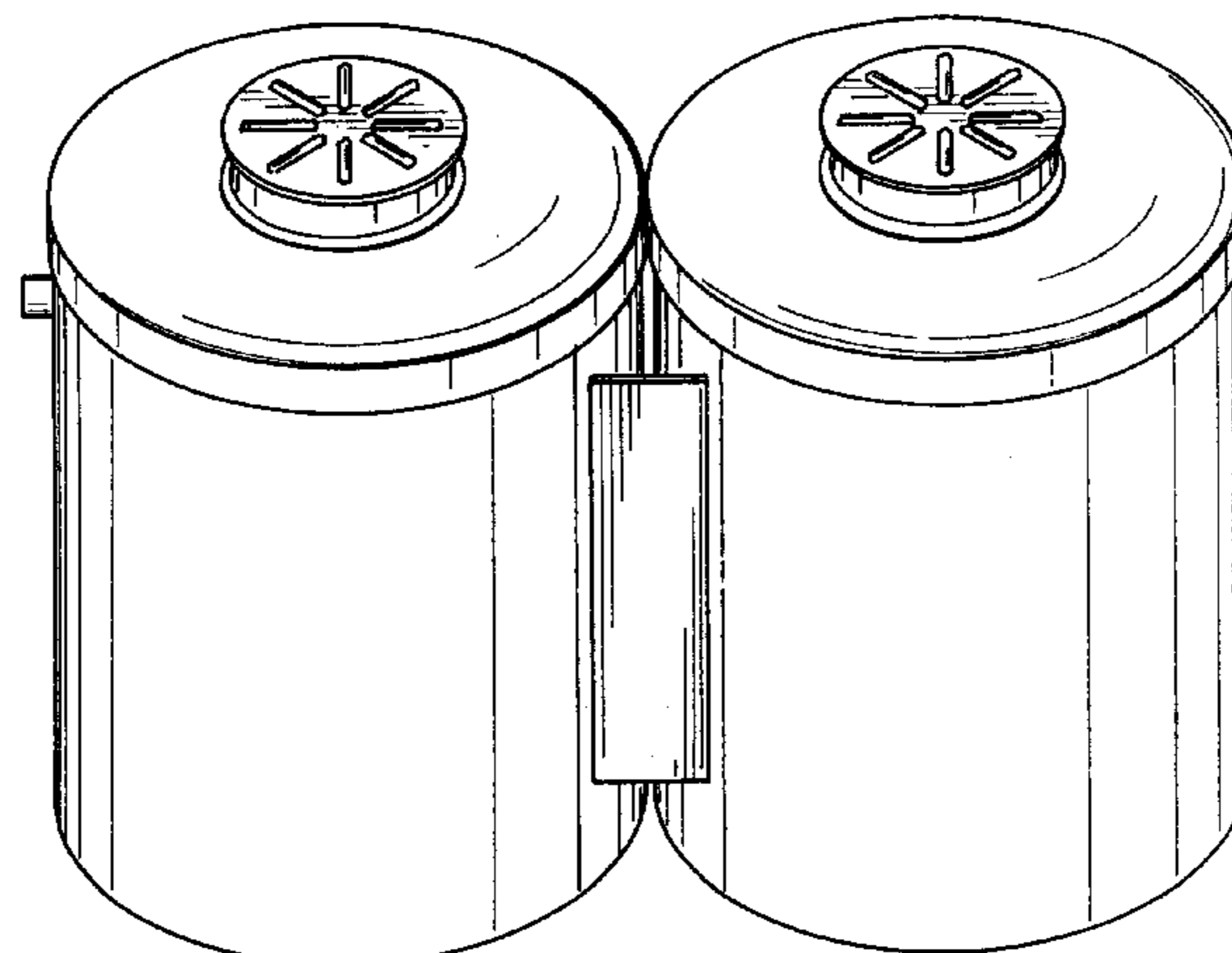
U.S. PATENT DOCUMENTS

DESCRIPTION

D. 423,638	4/2000	Drewery .	
D. 424,659	5/2000	Drewery .	
1,688,915	* 10/1928	Astrom	D23/207
2,987,186	6/1961	Burgoon et al. .	
3,126,333	3/1964	Williams .	
3,347,381	10/1967	Minch et al. .	
3,837,494	9/1974	Stevenson .	
3,923,656	12/1975	Krebs et al. .	
3,923,657	12/1975	Roser .	
3,951,817	4/1976	Snyder .	
4,160,723	7/1979	Kovacs .	
4,238,338	12/1980	Kinzer .	
4,246,114	1/1981	Krebs et al. .	
4,337,152	6/1982	Lynch .	
4,391,002	7/1983	Marti .	
4,608,157	8/1986	Graves .	
4,650,577	3/1987	Hansel .	
4,664,795	5/1987	Stegall et al. .	
4,710,295	12/1987	Zabel .	
4,834,879	5/1989	Stegall et al. .	
4,929,349	5/1990	Beckman .	
4,983,285	1/1991	Nolen .	
5,124,034	* 6/1992	Maness	210/195.3
5,221,470	6/1993	McKinney .	
5,254,246	10/1993	Rivelli et al. .	
5,266,239	11/1993	Drewery .	
5,490,935	2/1996	Guy .	
5,785,854	7/1998	McKinney .	
6,027,653	* 2/2000	Holland	210/266

FIG. 1 is a perspective view of one embodiment of the waste treatment plant of the present invention;
 FIG. 2 is a top, plan view of the waste treatment plant of FIG. 1;
 FIG. 3 is a front, elevational view of the waste treatment plant of FIG. 1;
 FIG. 4 is a rear, elevational view of the waste treatment plant of FIG. 1;
 FIG. 5 is a bottom, plan view of the waste treatment plant of FIG. 1;
 FIG. 6 is a side, elevational view of the waste treatment plant of FIG. 1;
 FIG. 7 is an opposite side, elevational view of the waste treatment plant of FIG. 1;
 FIG. 8 is a top, plan view of another embodiment of the waste treatment plant of the present invention;
 FIG. 9 is a front, elevational view of the waste treatment plant of FIG. 8, the rear, elevational view being the same as the rear, elevational view of the waste treatment plant shown in FIG. 4 modified as shown in the front, elevational view of FIG. 9; and,
 FIG. 10 is a bottom, plan view of the waste treatment plant of FIG. 8.

1 Claim, 4 Drawing Sheets



OTHER PUBLICATIONS

Brochure: "Home Plant Upflow Filter," 2 pages. Jet Inc., Beaumont, Texas, 1978.

Brochure: "New Improved Zabel Multi-Purpose Filter," 2 pages. Zabel Industries, Inc., New Albany, Indiana, No date.

Brochure: "Residential & Commercial Sewage Treatment System," 4 pages. Nayadic, Inc., Dayton, Ohio, No date.

Flier: "Southern Aerobic Systems Quick & Easy SM500 T & P," 2 pages. Southern Manufacturing Co., Port Arthur, Texas, No date.

Flier: "Aqua Safe," 2 pages. Ecological Tanks, Inc., Downsville, Louisiana, No date.

Flier: "Home Wastewater Treatment Plant Specifications," 2 pages. Jet Inc., Cleveland, Ohio, 1980.

Brochure: "When Experience Counts," 6 pages. Clearstream Wastewater Systems, Inc., Beaumont, Texas, No date.

Brochure: "The Clear Choice: Whitewater Mechanical Sewage Treatment System," 4 pages. Delta Fiberglass & Environmental Products, Inc., Denham Springs, Louisiana, No date.

Brochure: "Oldham Incorporated Sewage Treatment Systems: Aerated Sewage Treatment System for Individual Residences," 6 pages. Robert R. Oldham, Inc./Murphy Cormier General Contractors, Inc., Lake Charles, Louisiana, No date.

Clearstream Wastewater Systems, Inc. brochure on Clearstream Wastewater Treatment System, 4 pages. Clearstream Wastewater Systems, Inc., Beaumont, Texas, No date.

Drawing: "Singulair Model 900 System Installation and Mounting Details," Norweco, Sep. 1, 1990.

Brochure: "Aerobic Treatment System," 4 pages. Hoot Aerobic Systems, Inc., Lake Charles, Louisiana, Feb. 1999.

Brochure: "Singulair Bio-Kinetic Wastewater Treatment System," 4 pages. 1995.

Flier: "Introducing Set-N-Go," 2 pages. Hydro-Action, Inc., Beaumont, Texas, No date.

Brochure: "Single Home FAST Wastewater Treatment System," 4 pages. Bio-Microbics, Inc., 1996.

Brochure: "Class I Aerobic Systems for Residential and Commercial," 4 pages. Hydro-Action, Inc., Kountze, Texas, 1994.

* cited by examiner

FIG. 1

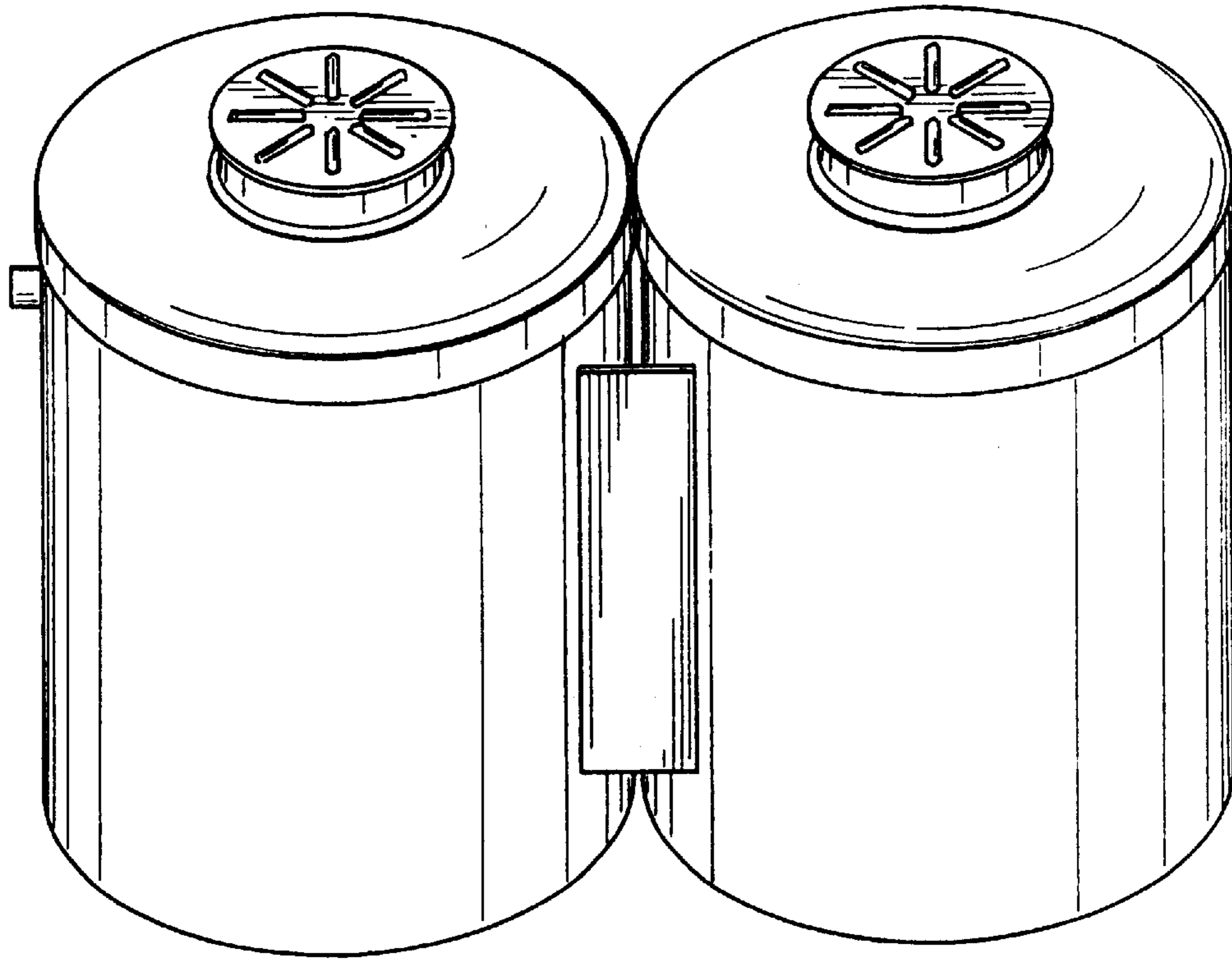


FIG. 2

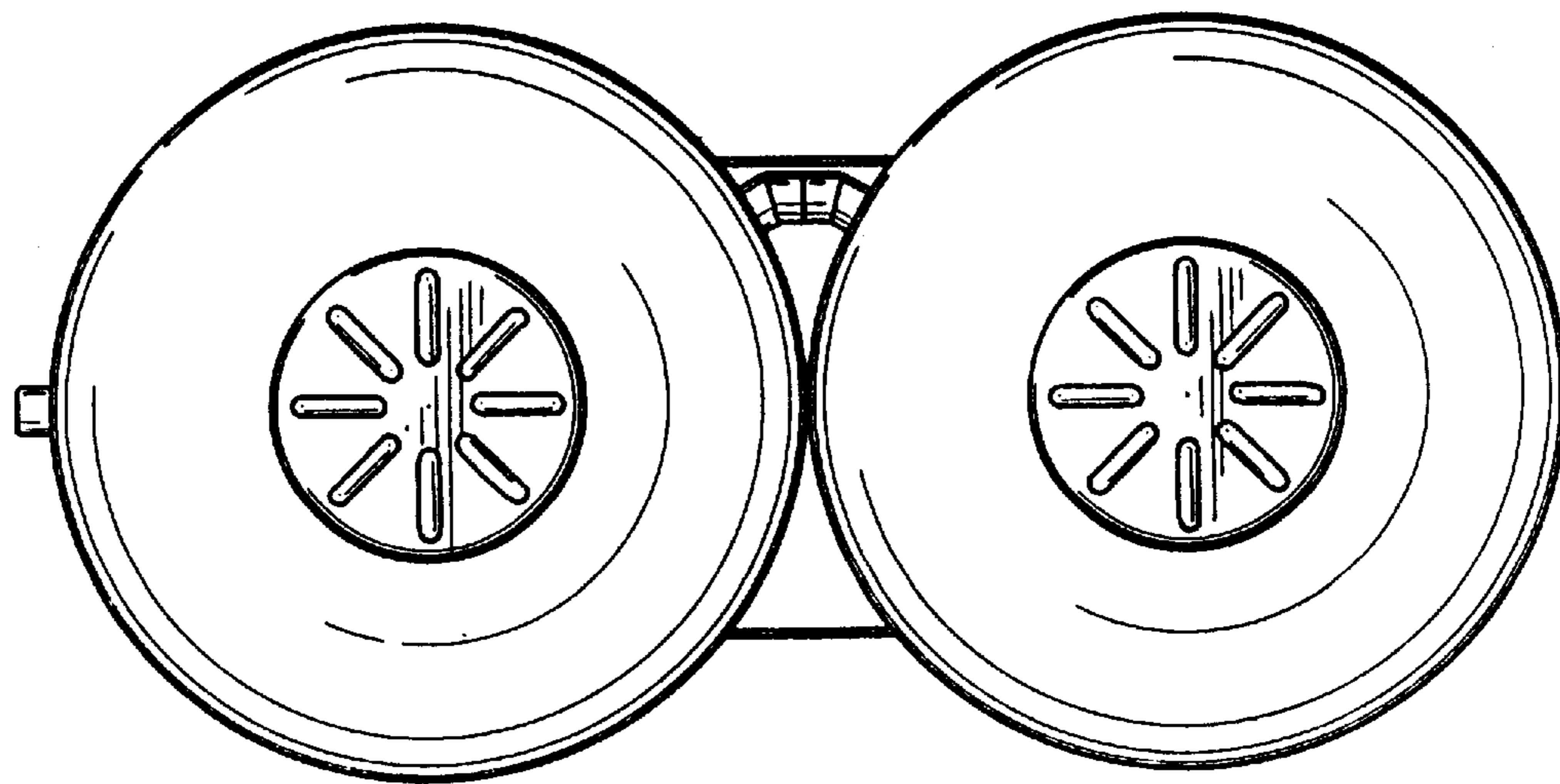


FIG. 3

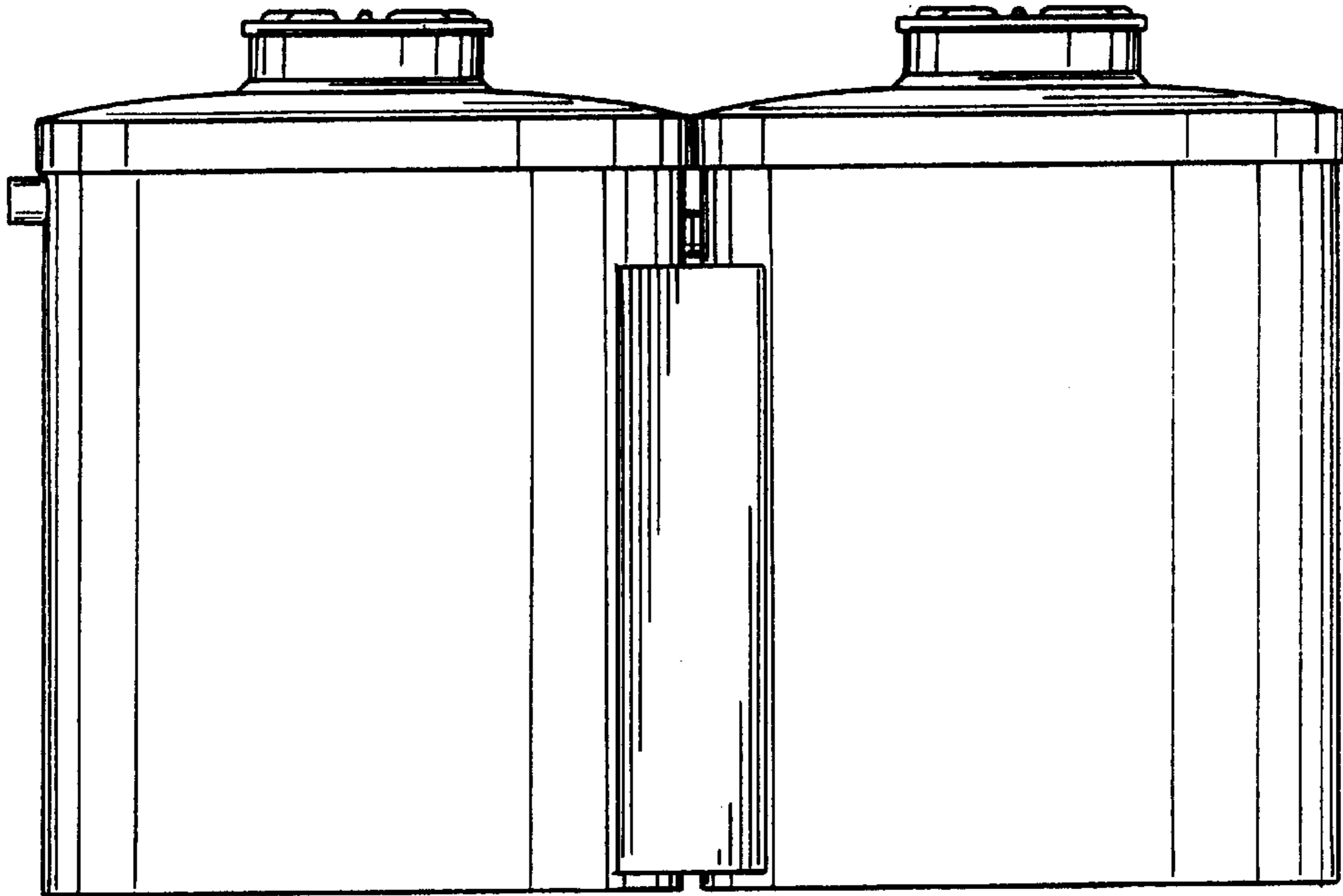


FIG. 4

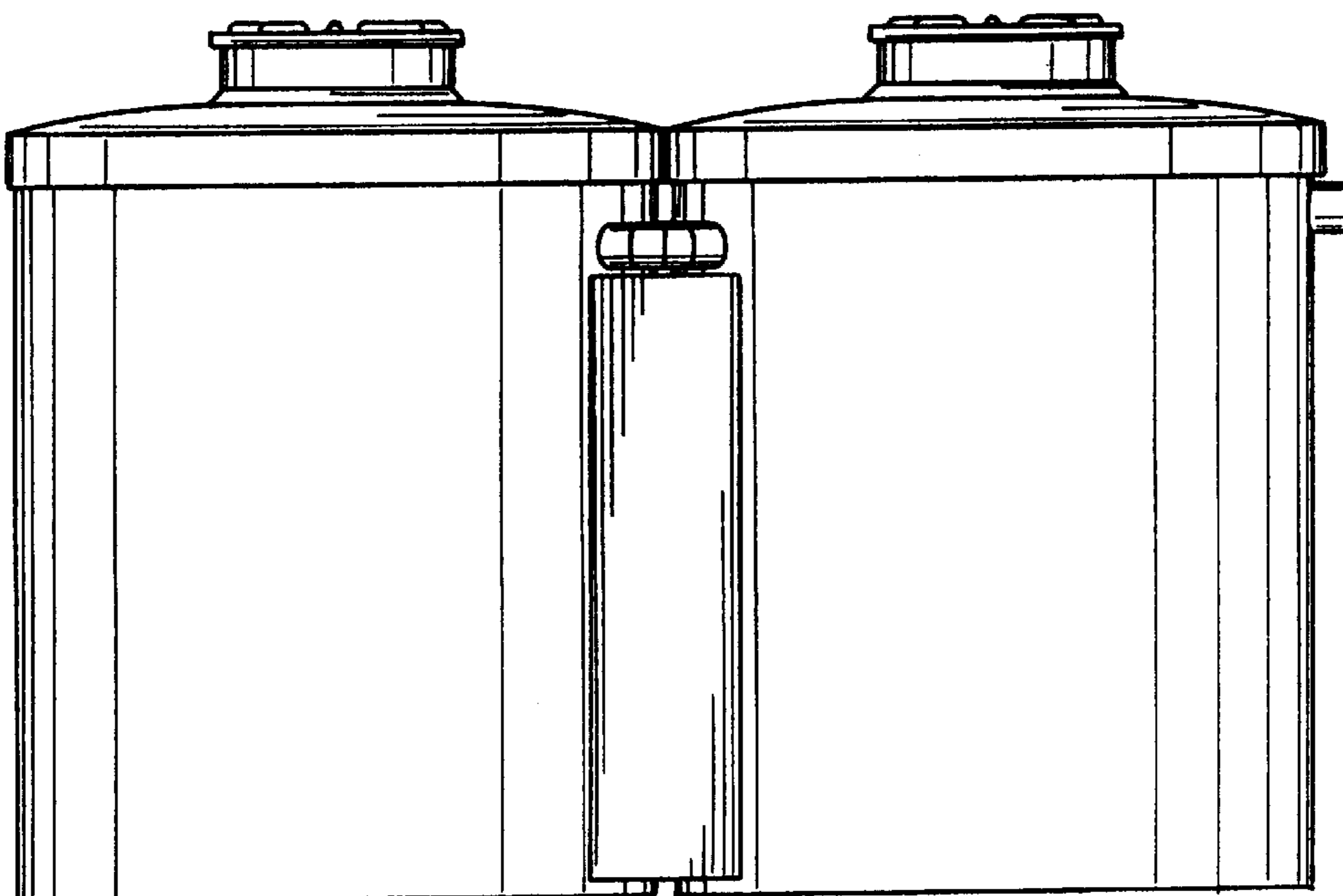


FIG. 5

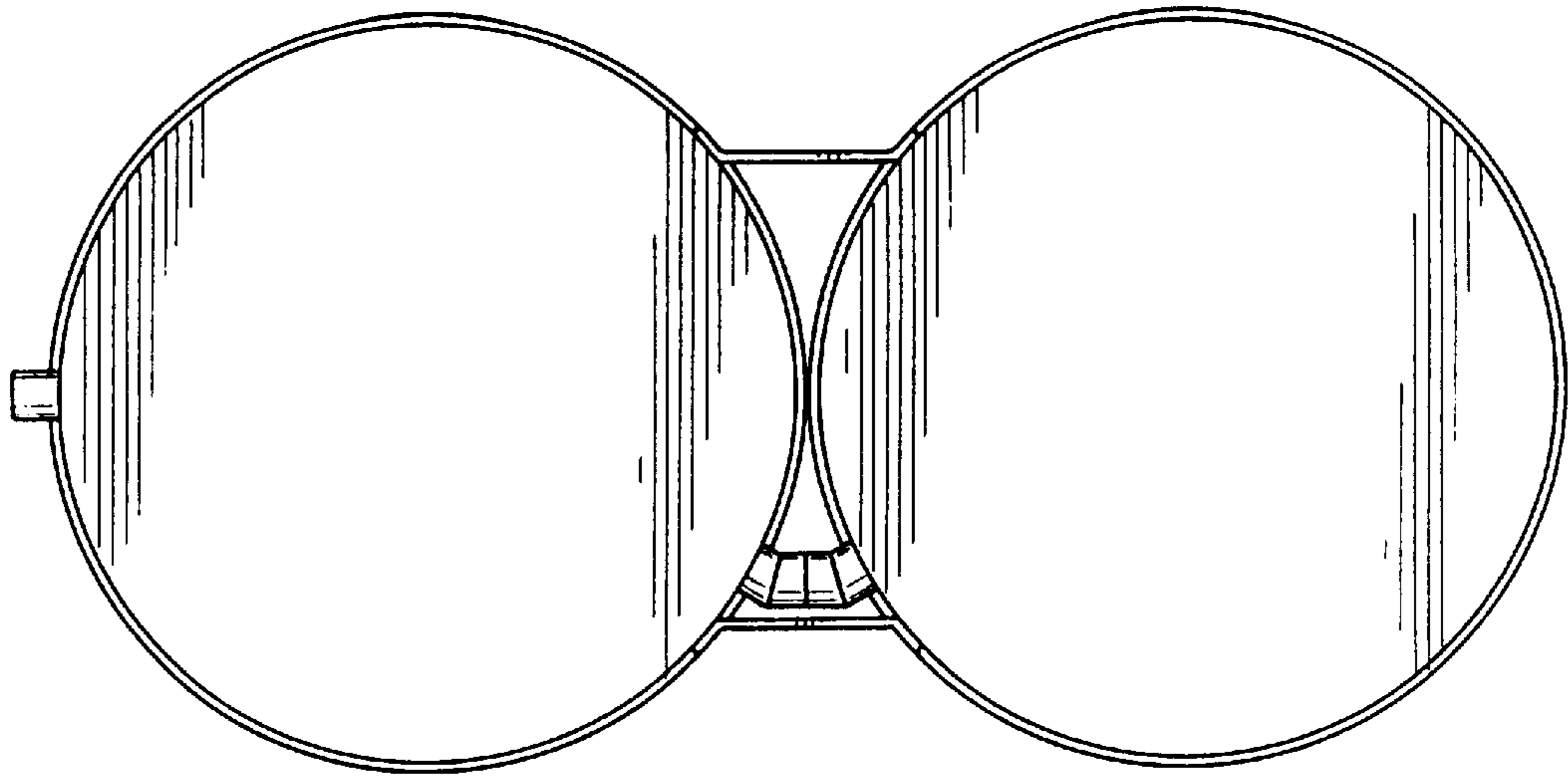


FIG. 6

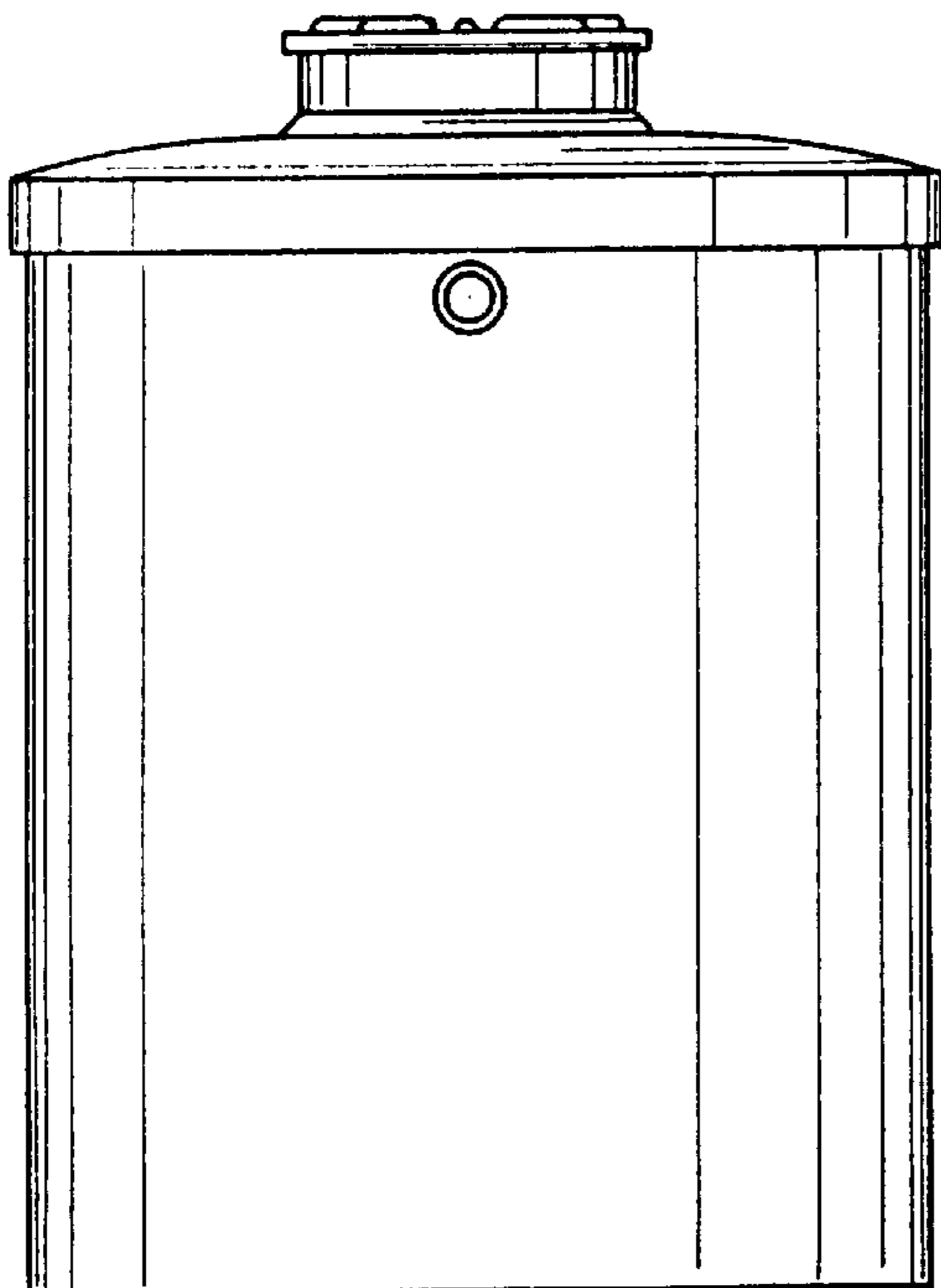


FIG. 7

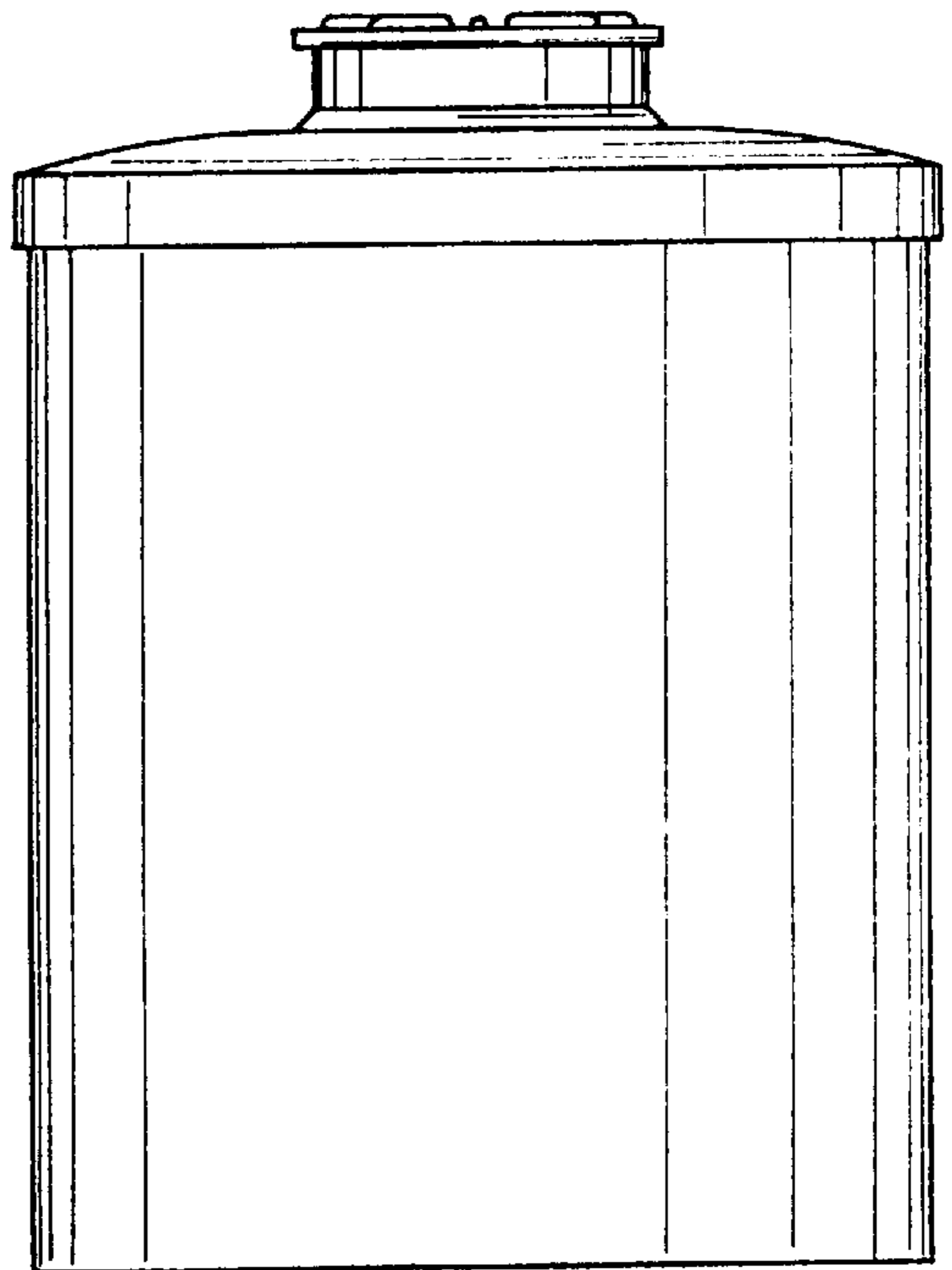


FIG. 8

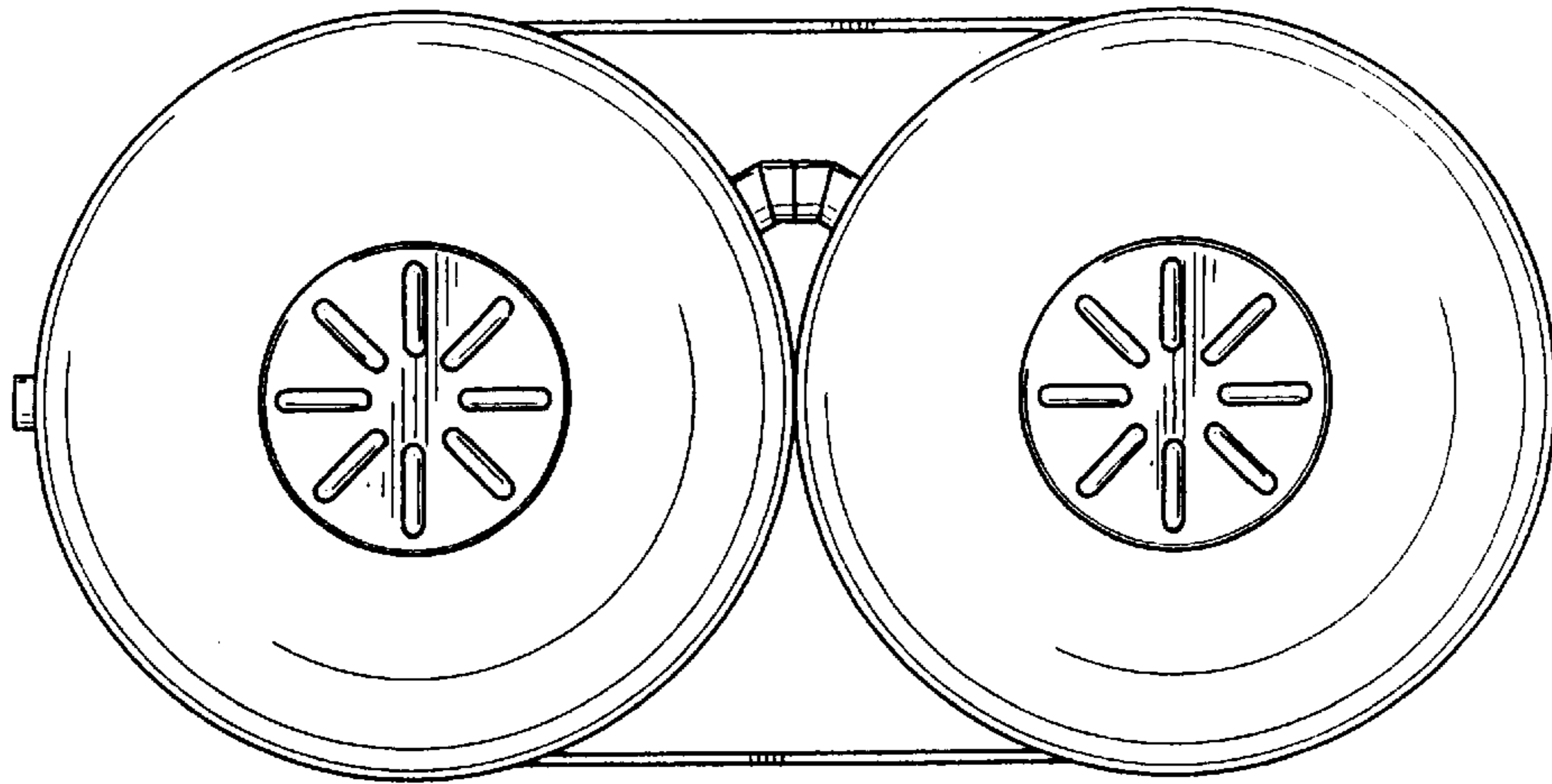


FIG. 9

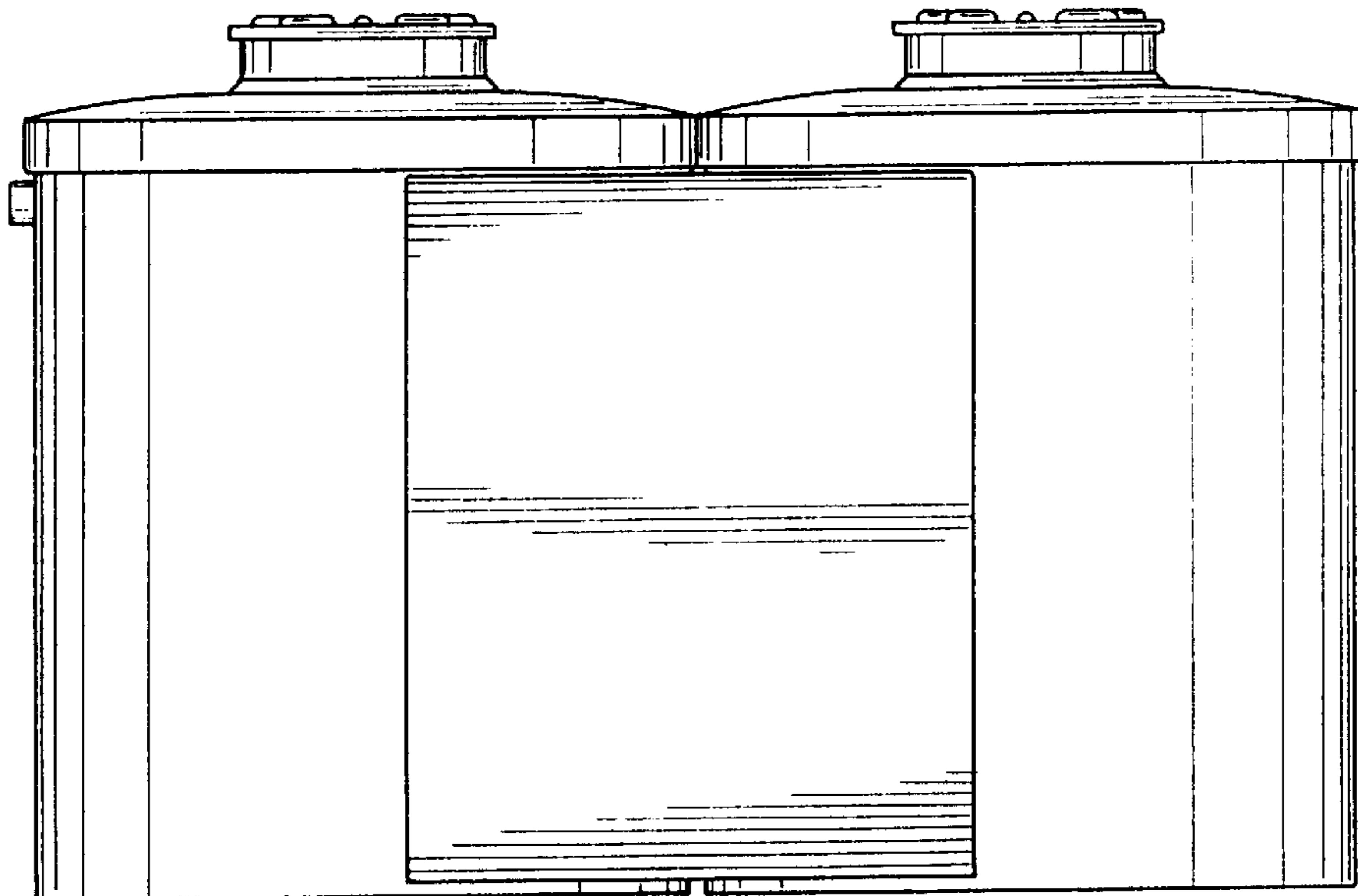


FIG. 10

