



US00D438930S

(12) **United States Design Patent**
Schmacker et al.

(10) **Patent No.:** **US D438,930 S**
(45) **Date of Patent:** **** Mar. 13, 2001**

- (54) **SHROUDED AERIAL BOMB**
- (75) Inventors: **Bruce E. Schmacker; Ronald L. Wooten**, both of Orlando, FL (US)
- (73) Assignee: **Lockheed Martin**, Bethesda, MD (US)
- (**) Term: **14 Years**
- (21) Appl. No.: **29/118,558**
- (22) Filed: **Feb. 9, 2000**
- (51) **LOC (7) Cl.** **22-03**
- (52) **U.S. Cl.** **D22/112; D22/100; D22/199**
- (58) **Field of Search** **D22/100, 112, D22/199; 102/374, 382, 489**

4,920,887	5/1990	Frehaut et al.	102/489
4,932,326	6/1990	Ladriere	102/364
5,056,408	10/1991	Joner et al.	89/1.51
5,103,734	4/1992	Arnaud et al.	102/489
5,107,768 *	4/1992	Langenohl	102/489
5,656,792	8/1997	Rentzsch et al.	102/489

* cited by examiner

Primary Examiner—Louis S. Zarfaz
Assistant Examiner—Monica A. Weingart
(74) *Attorney, Agent, or Firm*—Burns, Doane, Swecker & Mathis, LLP

(57) **CLAIM**

The ornamental design for a shrouded aerial bomb, as shown and described.

(56) **References Cited**

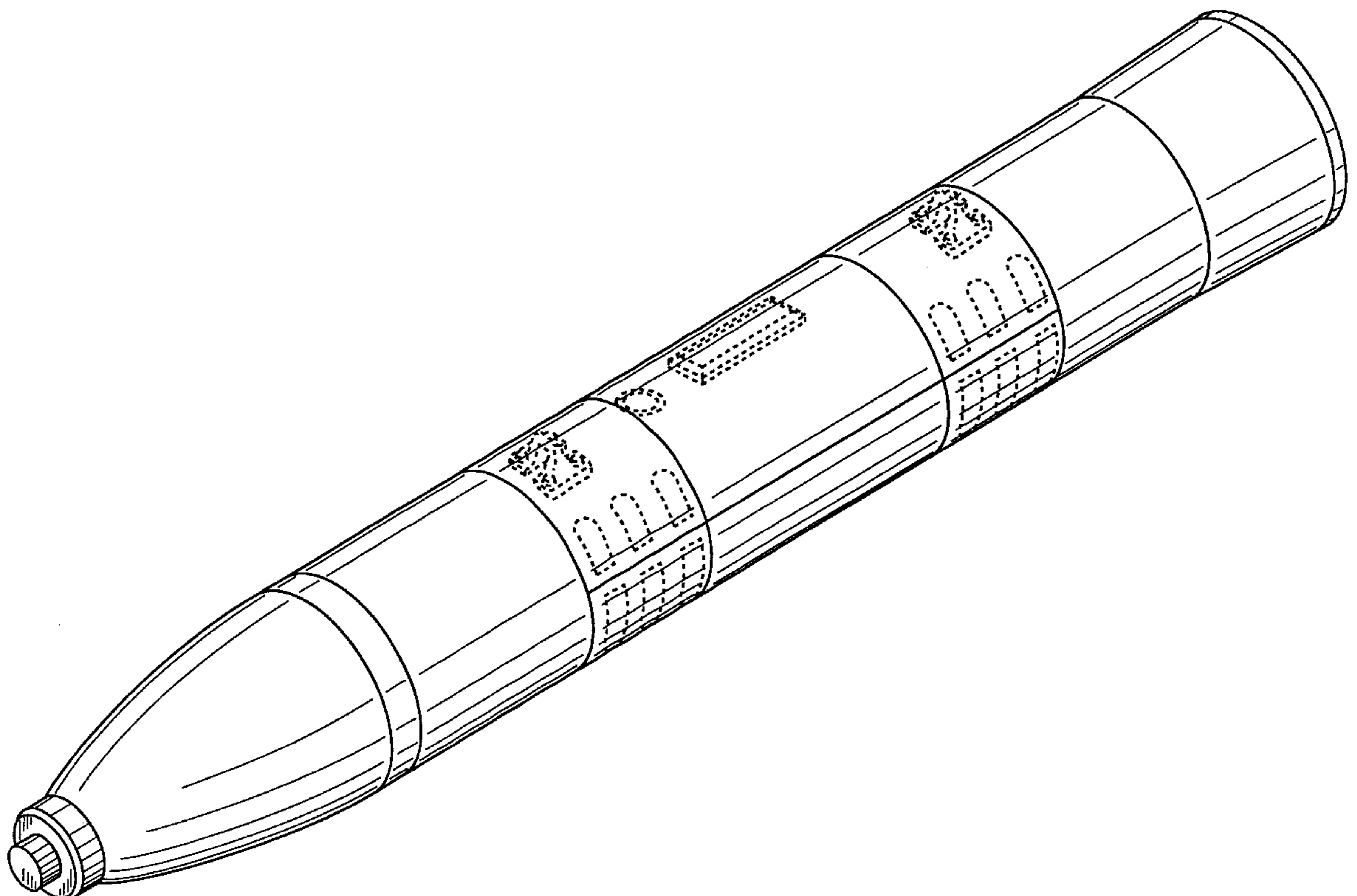
U.S. PATENT DOCUMENTS

H959	9/1991	Heckman et al.	102/489
2,295,671 *	9/1942	McCloud et al.	102/382
2,398,740 *	4/1946	Halvey	102/382
2,957,413 *	10/1960	Lyon	102/382
3,224,334	12/1965	Curtis et al. .	
3,905,297 *	9/1975	Barr et al.	102/374 X
4,455,943 *	6/1984	Pinson	102/489
4,597,333	7/1986	Böcker et al.	102/518
4,638,737	1/1987	McIngvale	102/489
4,656,943	4/1987	Edminster	102/208
4,911,080	3/1990	Leeker et al.	102/529

DESCRIPTION

FIG. 1 is a perspective view showing our new design;
FIG. 2 is a side view thereof;
FIG. 3 is a top view thereof;
FIG. 4 is a bottom view thereof;
FIG. 5 is a front end view thereof; and,
FIG. 6 is a rear end view thereof.
The broken line showing of external hardware, in FIGS. 1–6, is for illustrative purposes only and forms no part of the claimed design.

1 Claim, 3 Drawing Sheets



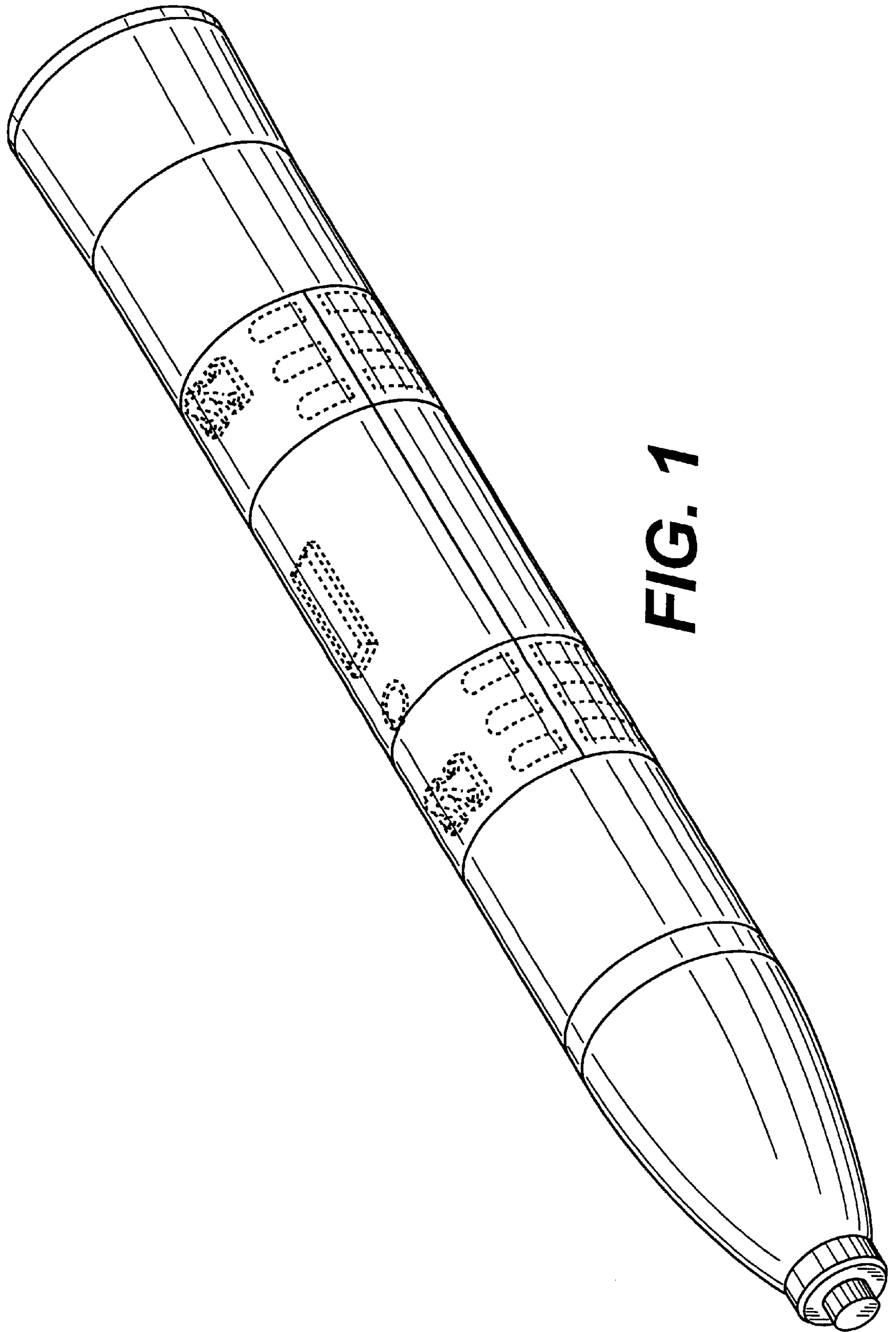


FIG. 1

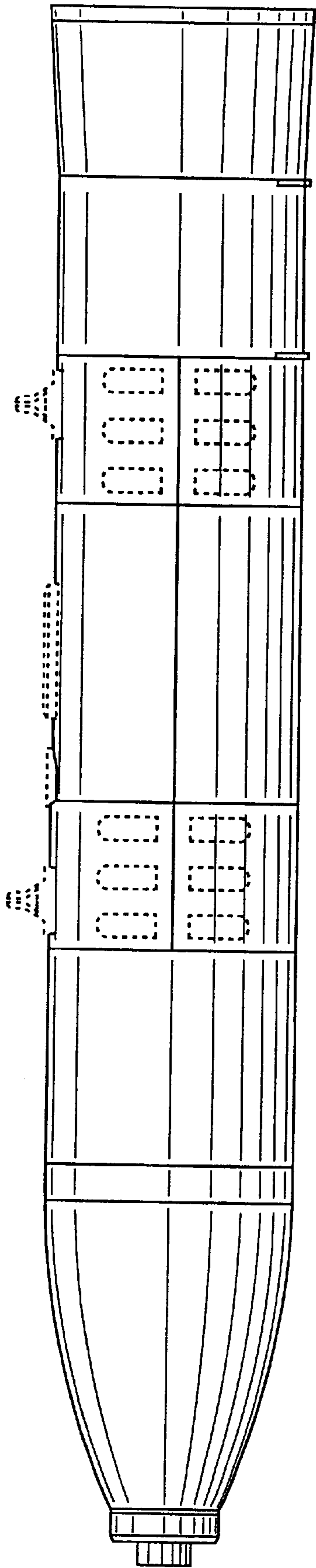


FIG. 2

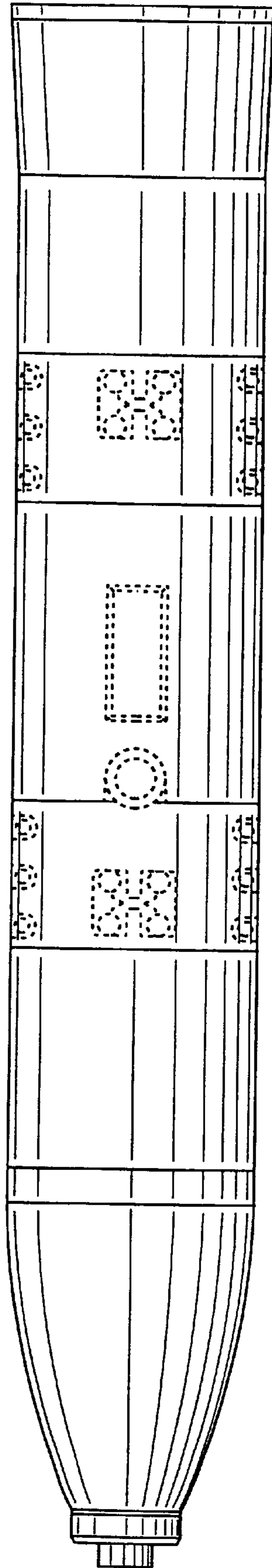


FIG. 3

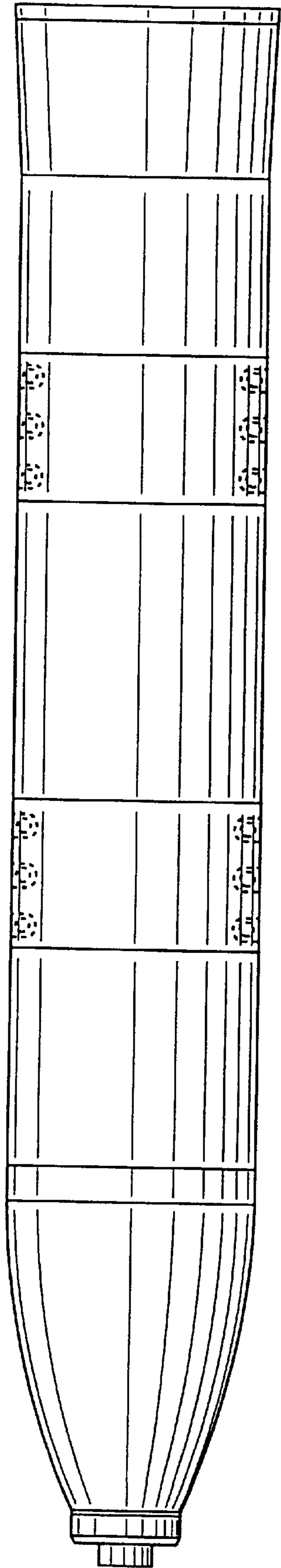


FIG. 4

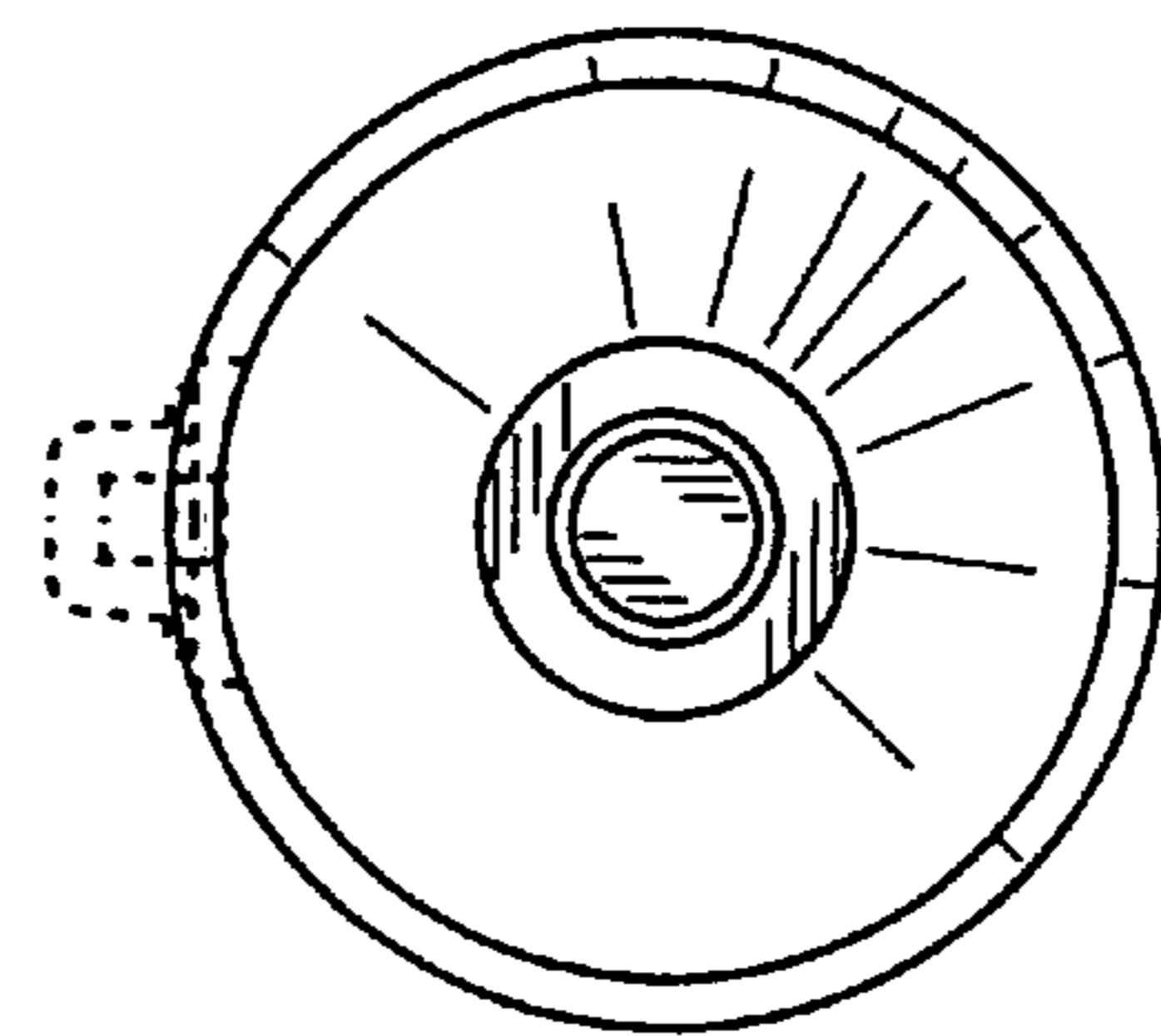


FIG. 5

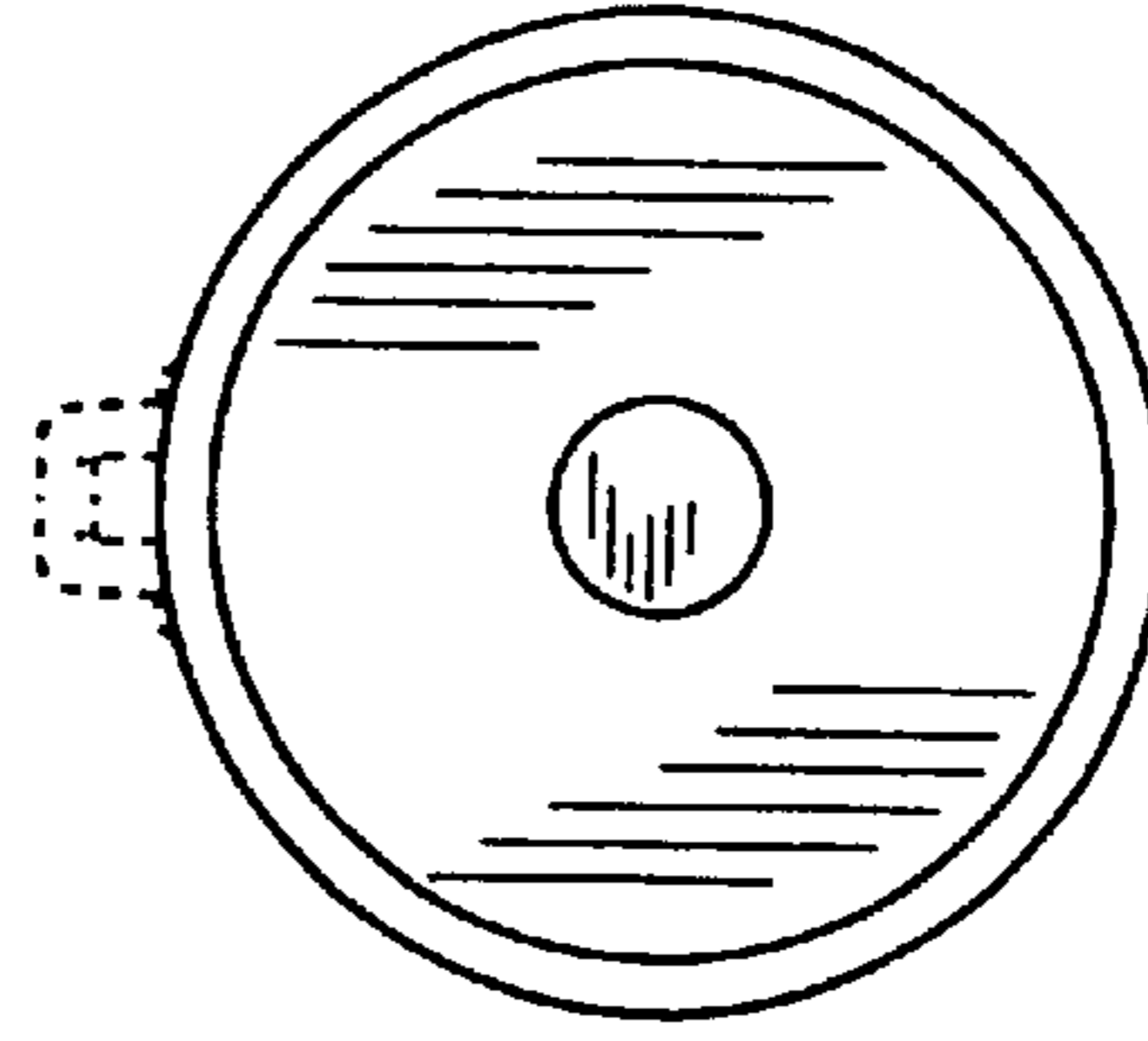


FIG. 6