



US00D438923S

(12) **United States Design Patent**
Broom

(10) **Patent No.:** **US D438,923 S**

(45) **Date of Patent:** **** Mar. 13, 2001**

(54) **GOLF BALL PUTTER**

(76) **Inventor:** **Richard Patrick Broom**, 5227 Crystal Springs Dr., Bainbridge Island, WA (US) 98110

(**) **Term:** **14 Years**

(21) **Appl. No.:** **29/127,036**

(22) **Filed:** **Jul. 27, 2000**

Related U.S. Application Data

(62) Division of application No. 29/117,454, filed on Jan. 24, 2000.

(51) **LOC (7) Cl.** **21-02**

(52) **U.S. Cl.** **D21/744**

(58) **Field of Search** D21/736-746;
473/324, 327, 328, 340, 341, 251-256

(56) **References Cited**

U.S. PATENT DOCUMENTS

- D. 183,091 6/1958 Handzlik, Jr. .
- D. 183,092 6/1958 Handzlik, Jr. .
- D. 209,761 * 1/1968 Solheim D21/742
- D. 239,951 5/1976 Carrier .
- D. 254,084 1/1980 Hulyk .
- D. 280,004 8/1985 Worster et al. .
- D. 387,829 12/1997 Blaine .

- D. 402,721 12/1998 Gurrola .
- D. 410,054 * 5/1999 Yu D21/736
- D. 417,710 * 12/1999 Broom D21/736
- 3,042,405 7/1962 Solheim .
- 4,984,794 1/1991 Pernelle et al. .
- 5,014,992 5/1991 McCallister .
- 5,078,398 1/1992 Reed et al. .
- 5,226,654 7/1993 Solheim .
- 5,267,733 12/1993 Szokola .
- 5,494,288 2/1996 Jimenez et al. .

* cited by examiner

Primary Examiner—Mitchell Siegel

(74) *Attorney, Agent, or Firm*—Richardson & Folise

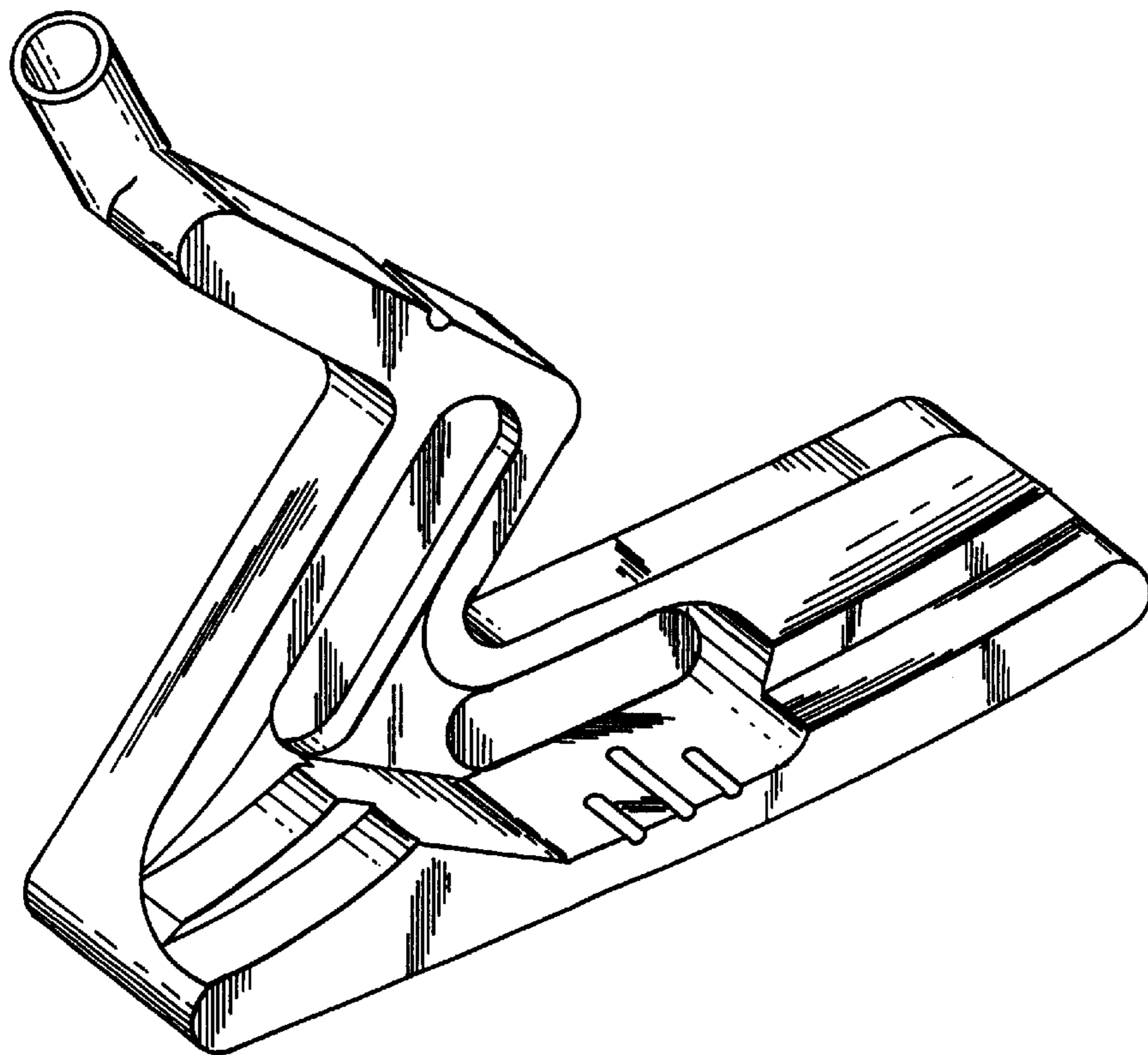
(57) **CLAIM**

The ornamental design for a golf ball putter, as shown and described.

DESCRIPTION

FIG. 1 is a rear, right side perspective view of my new golf ball putter design;
 FIG. 2 is a top plan view thereof;
 FIG. 3 is a bottom plan view thereof;
 FIG. 4 is a left side elevational view thereof;
 FIG. 5 is a right side elevational view thereof;
 FIG. 6 is a front elevational view thereof; and,
 FIG. 7 is a rear elevational view thereof.

1 Claim, 3 Drawing Sheets



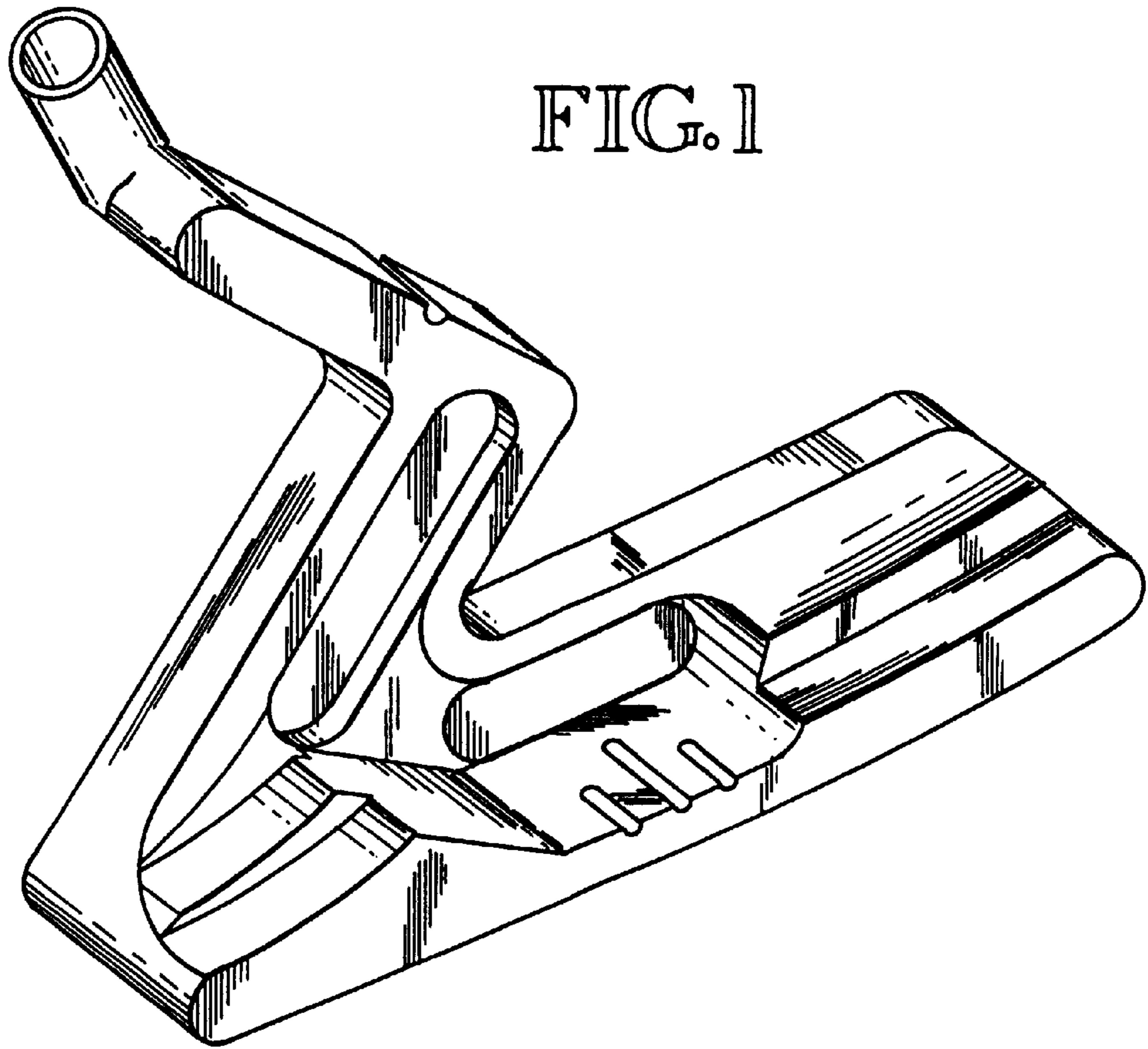


FIG. 1

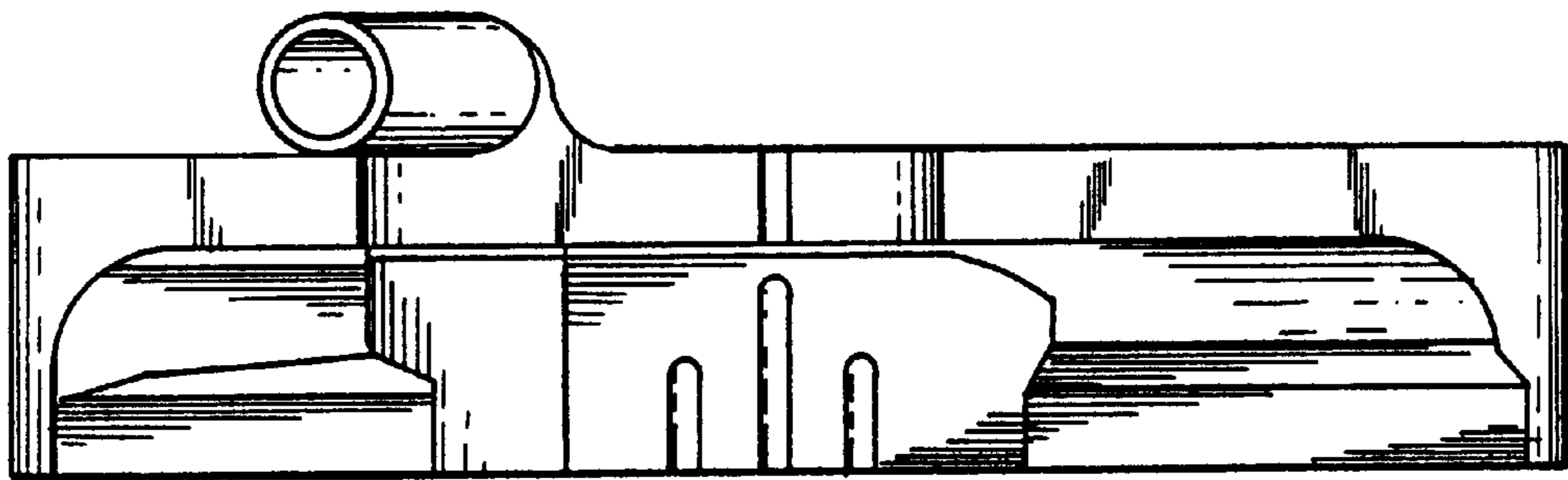


FIG. 2

FIG. 3

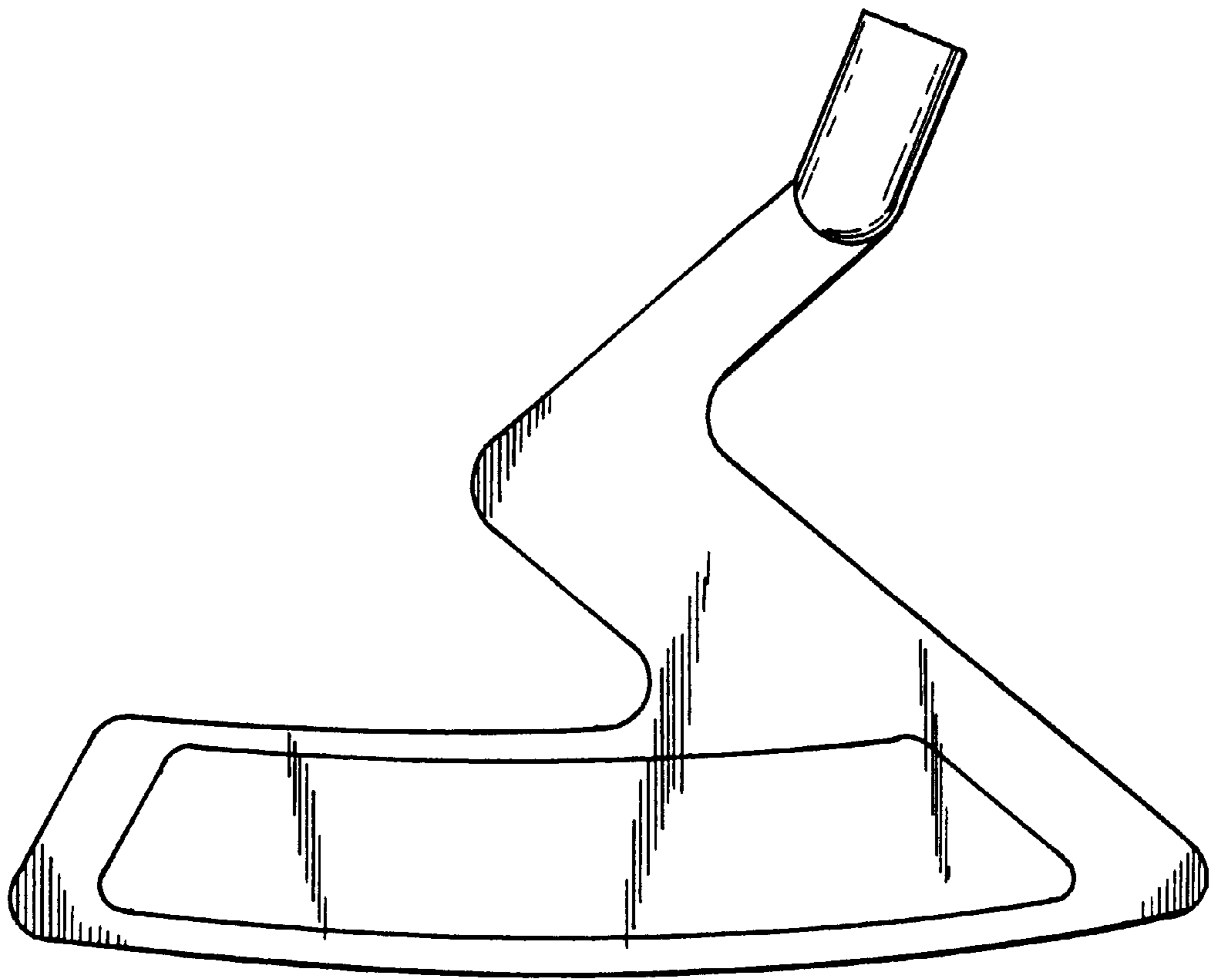
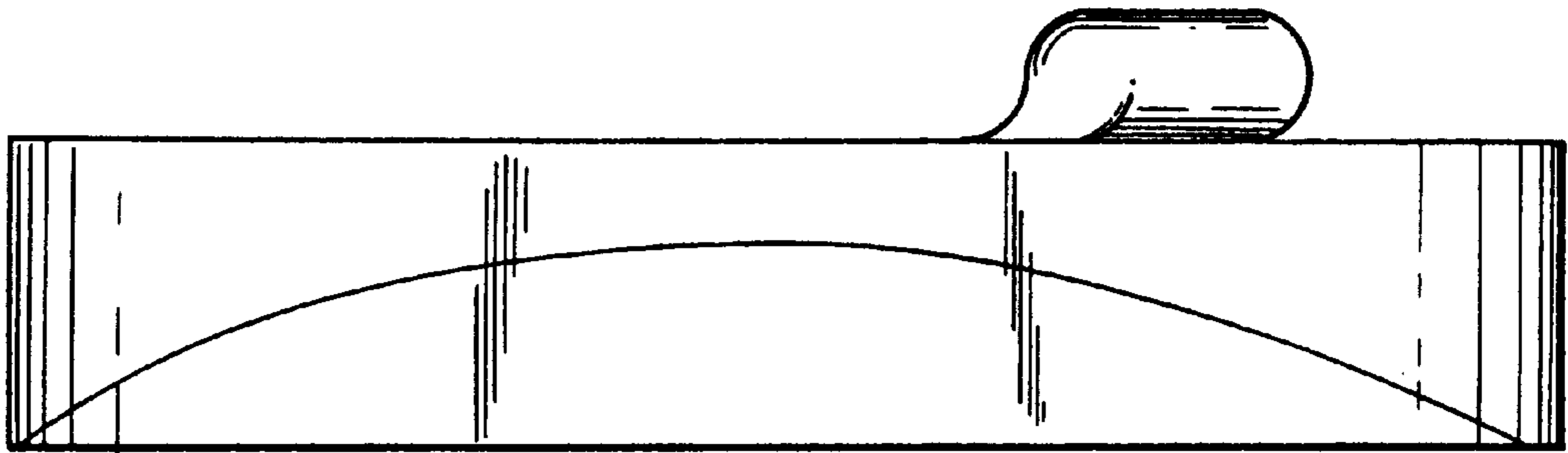


FIG. 4

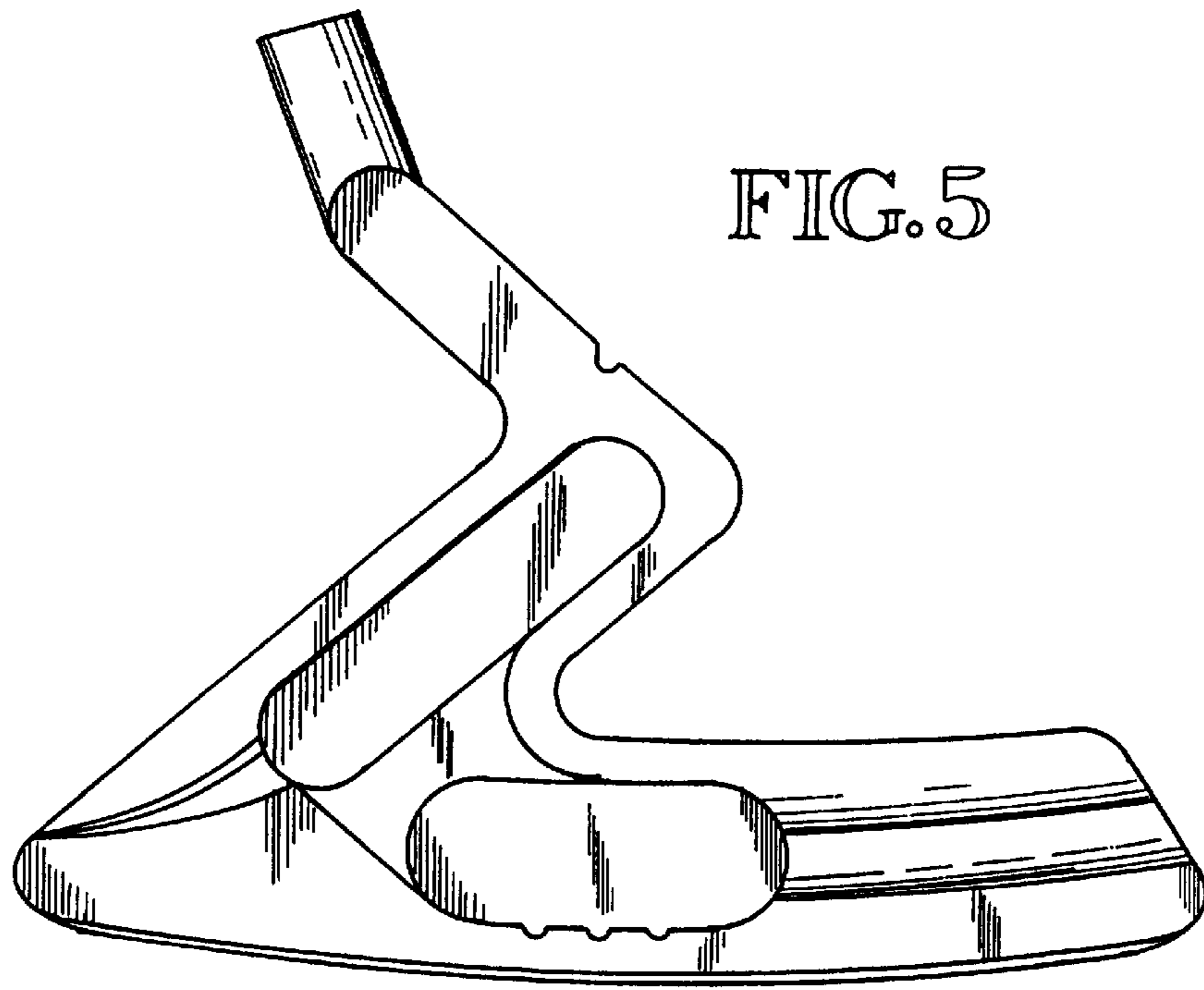


FIG. 5

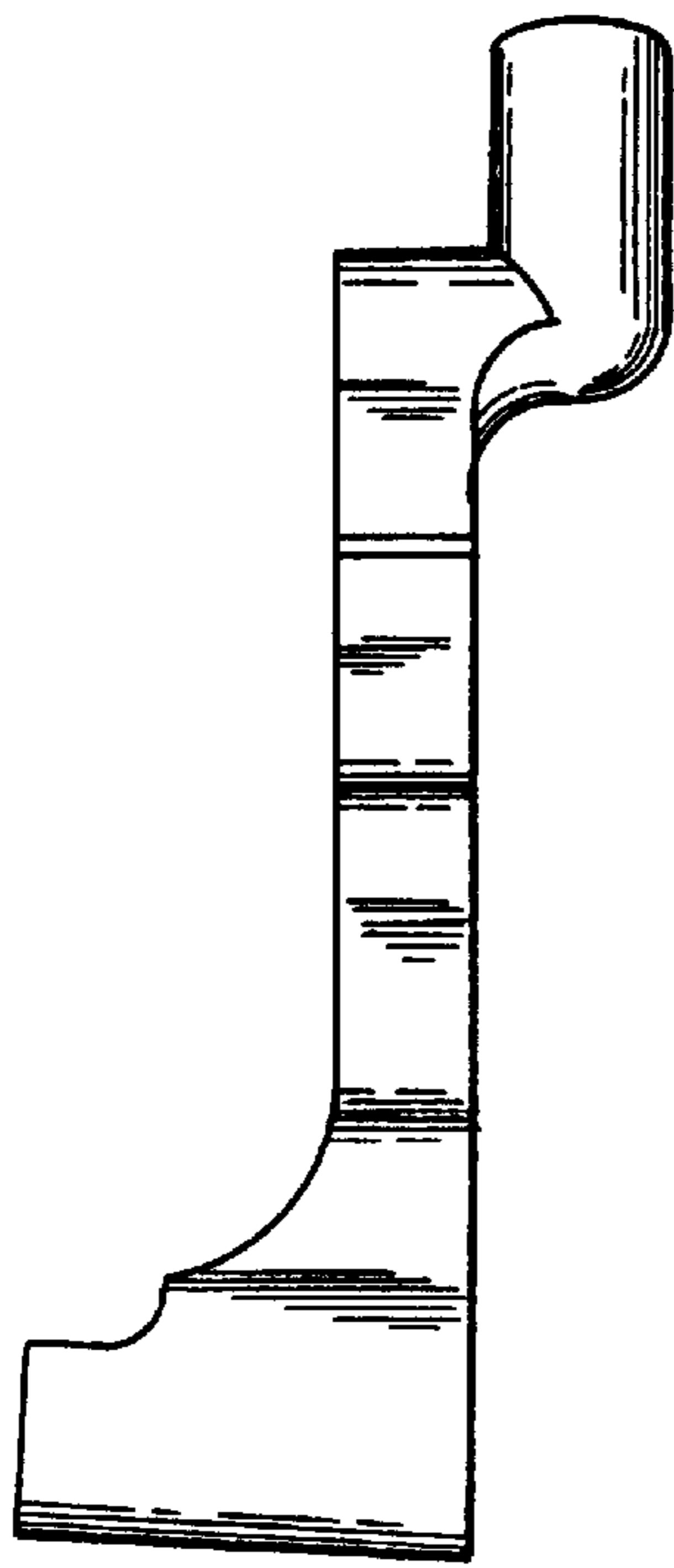


FIG. 6

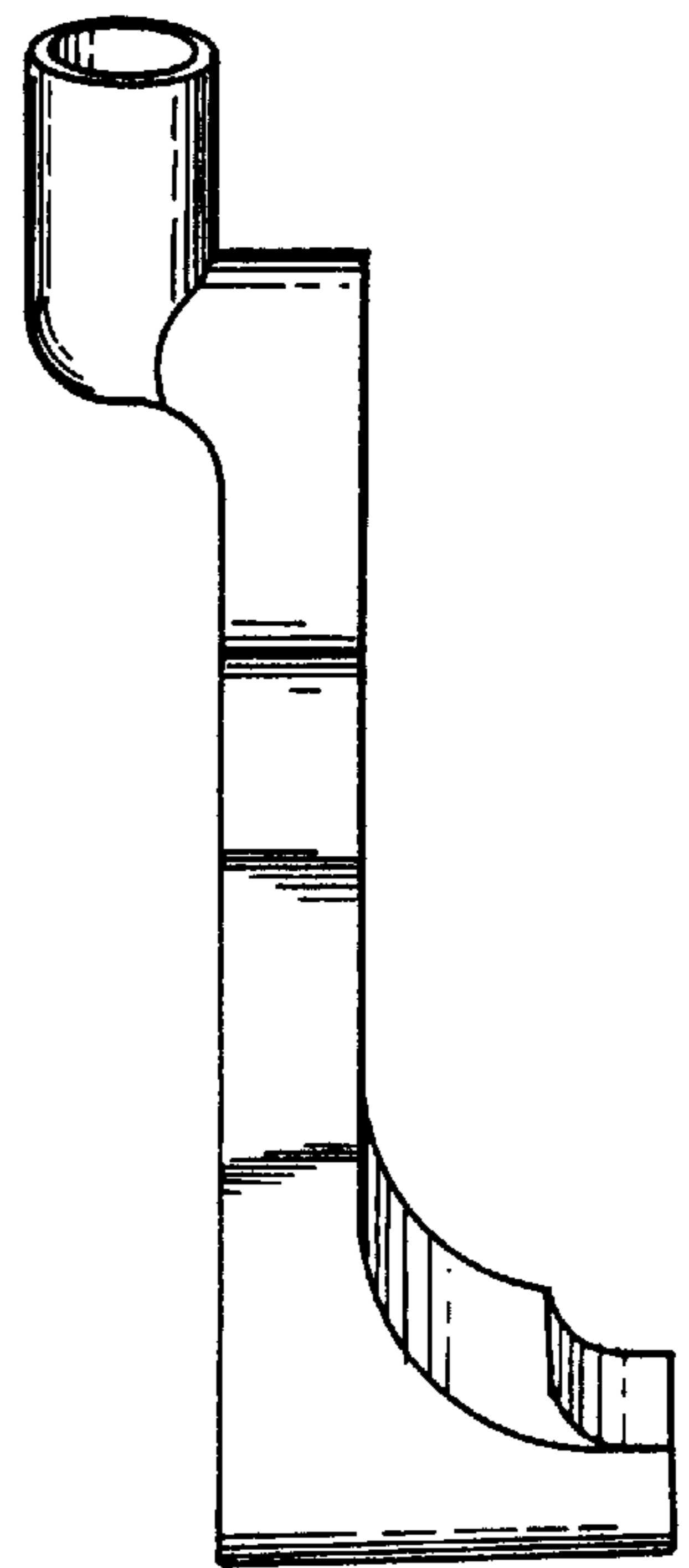


FIG. 7