



US00D438918S

(12) **United States Design Patent**
Batca et al.

(10) **Patent No.:**

US D438,918 S

(45) **Date of Patent:**

**** Mar. 13, 2001**

(54) **LEG PRESS AND CALF RAISE EXERCISE MACHINE**

(76) Inventors: **L. Ron Batca; Roger Batca**, both of
3102 Shaftsbury St., Durham, NC (US)
27704

(**) Term: **14 Years**

(21) Appl. No.: **29/113,547**

(22) Filed: **Nov. 5, 1999**

(51) **LOC (7) Cl.** **21-02**

(52) **U.S. Cl.** **D21/676; D21/675**

(58) **Field of Search** D21/662, 673,
D21/674, 675, 676; 482/97, 98, 129, 130,
131, 133, 135, 138, 142

(56) **References Cited**

U.S. PATENT DOCUMENTS

D. 321,390	*	11/1991	Jones	D21/676
D. 355,684	*	2/1995	Rawls et al.	D21/676
3,820,782	*	6/1974	Salkeld	482/135
3,917,262	*	11/1975	Salkeld	482/98
5,409,440	*	4/1995	Yang	482/97
5,616,107	*	4/1997	Simonson	482/142
5,628,715	*	5/1997	Simonson	482/97

OTHER PUBLICATIONS

Body Masters Fitness Publication, Inverted leg press, 1998.*
Paramount Fitness Corp Publication, leg press, Mar. 1997.*
Pamphlet entitled "M4 The Ultimate in Fitness Training" (4 pages).

Pamphlet entitled "Personal Trainer 2000" (2 pages).

Pamphlet entitled "Personal Trainer 2100" (2 pages).

Pamphlet entitled "Ultra Trainer 3000" (2 pages).

Pamphlet entitled "Ultra Trainer 3100" (2 pages).

* cited by examiner

Primary Examiner—Philip S. Hyder

(74) *Attorney, Agent, or Firm*—Coats & Bennett, PLLC

(57) **CLAIM**

The ornamental design for a leg press and calf raise exercise machine, as shown and described.

DESCRIPTION

FIG. 1 is a front view of the leg press and calf raise exercise machine in accordance with the present invention;

FIG. 2 is a right side view of the present invention;

FIG. 3 is a back view of the present invention;

FIG. 4 is a left side view of the present invention;

FIG. 5 is a top view of the present invention;

FIG. 6 is a front perspective view of the present invention; and,

FIG. 7 is a back perspective view of the present invention.

1 Claim, 7 Drawing Sheets

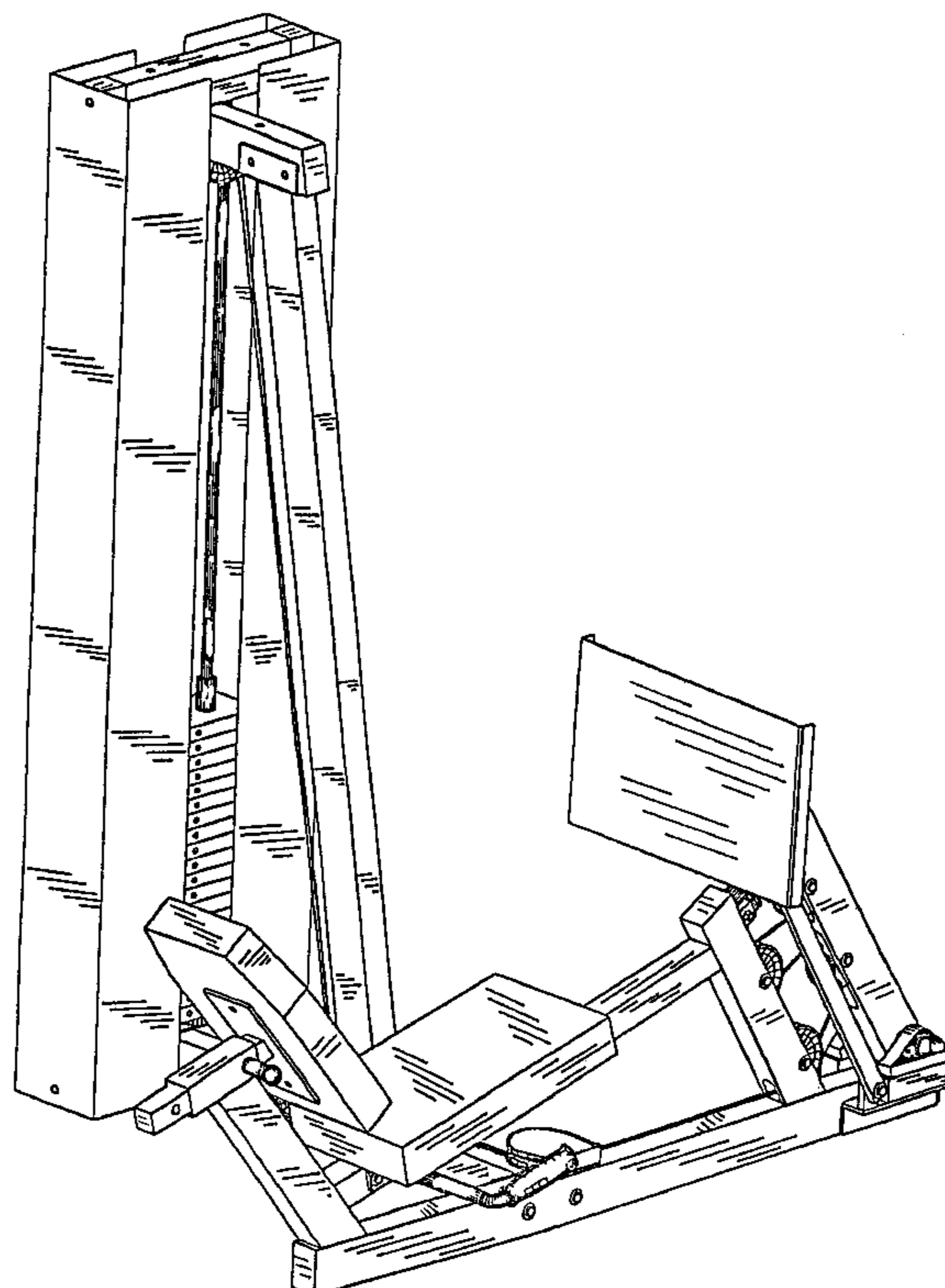


FIG. 1

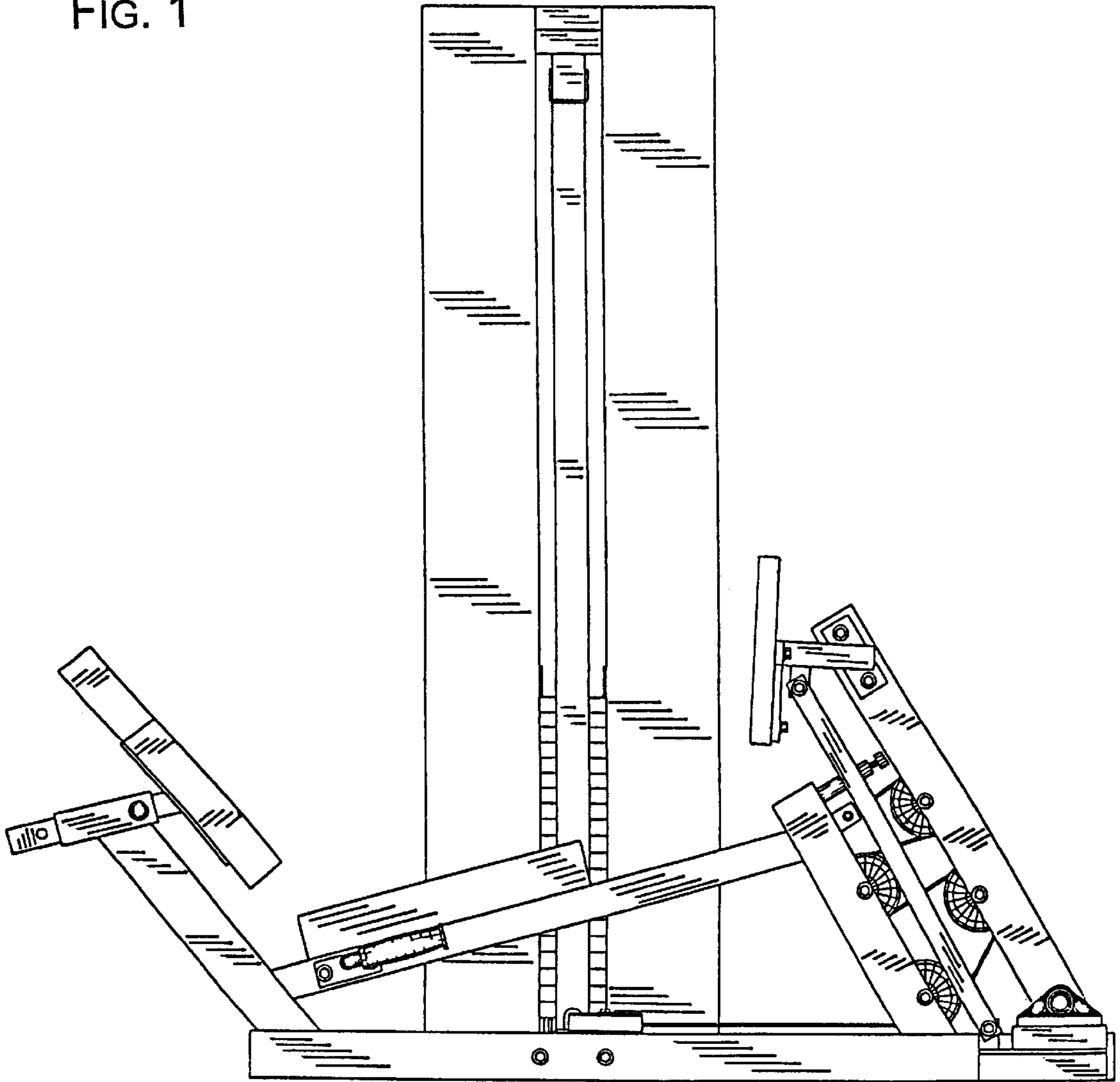


FIG. 2

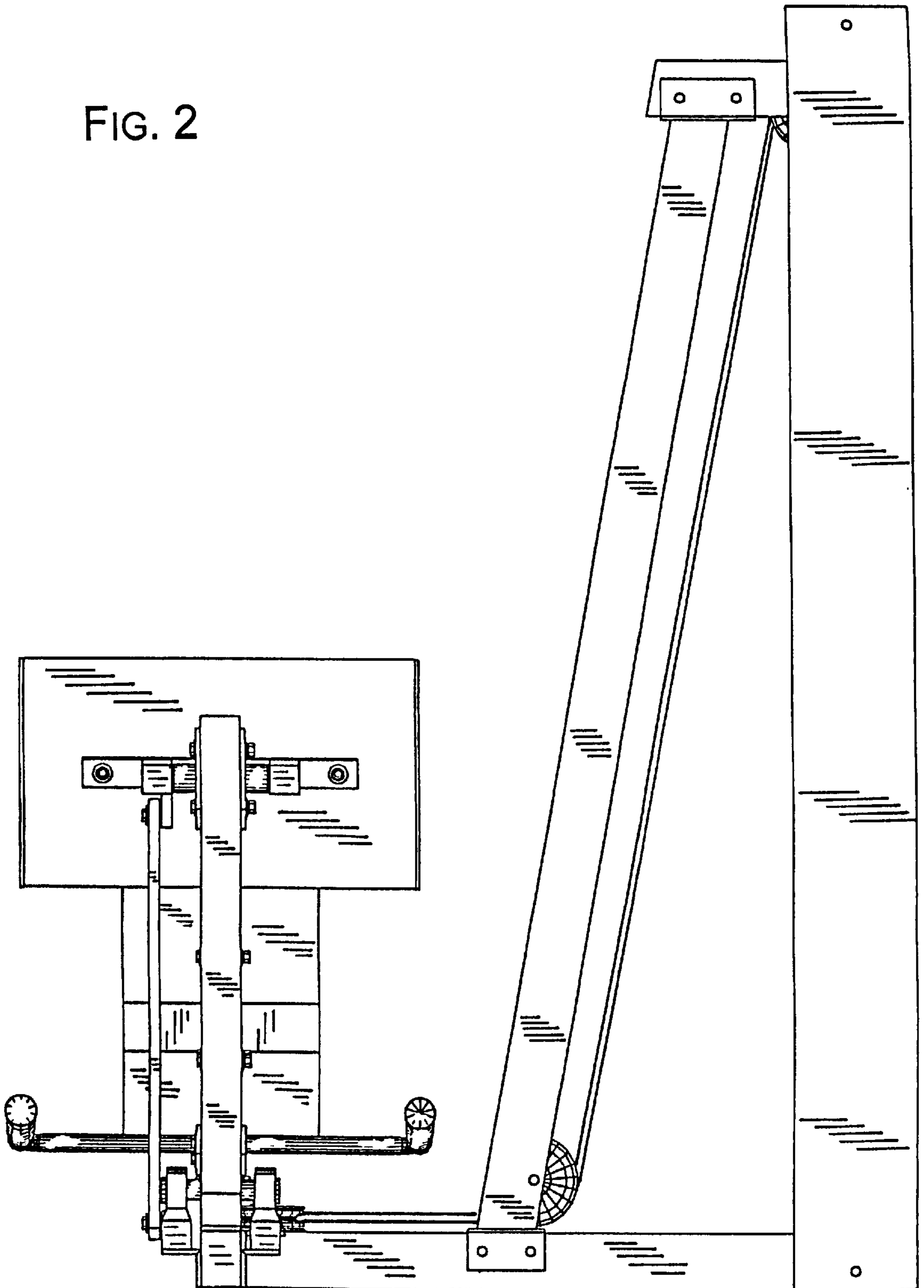
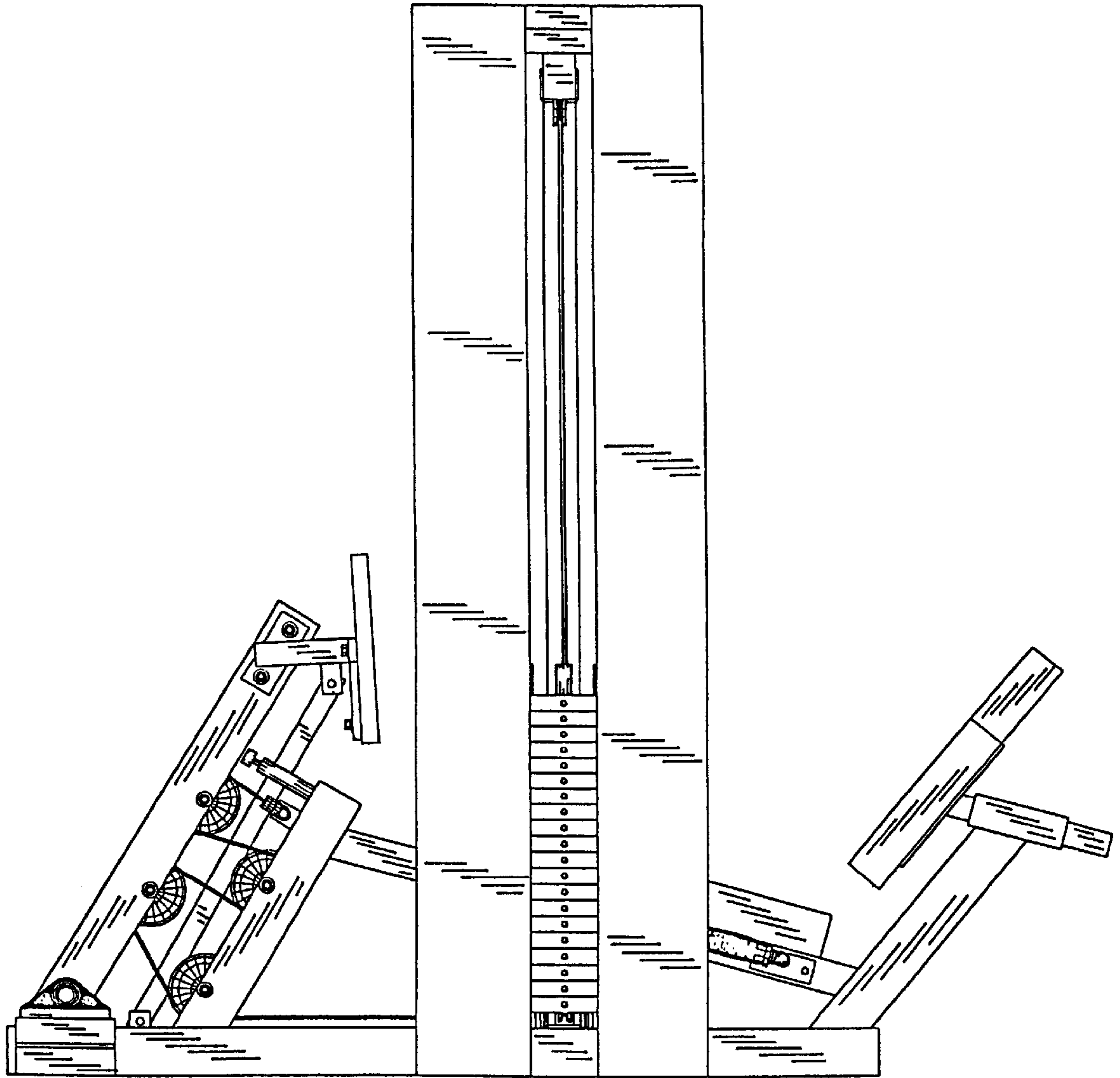


FIG. 3



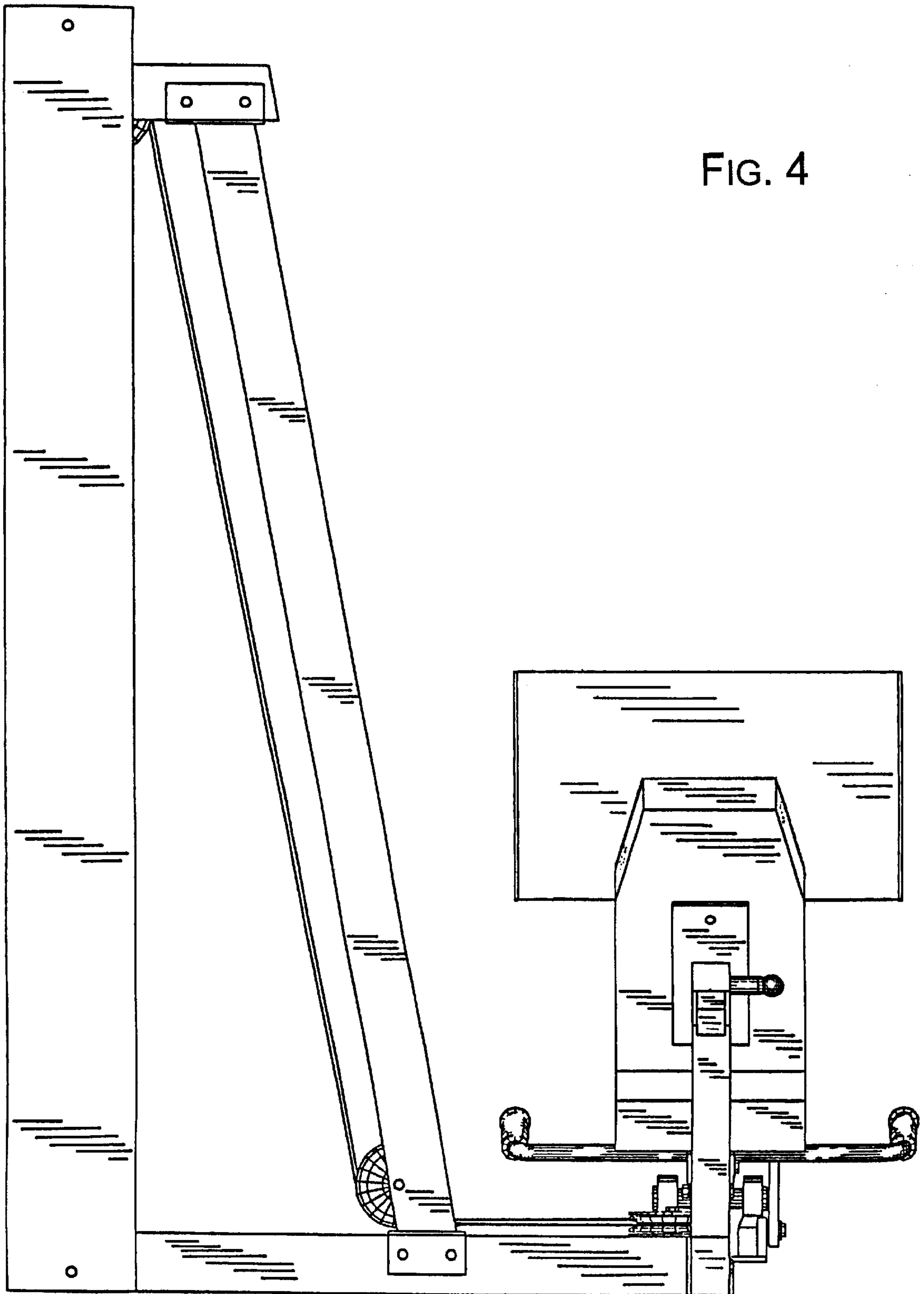
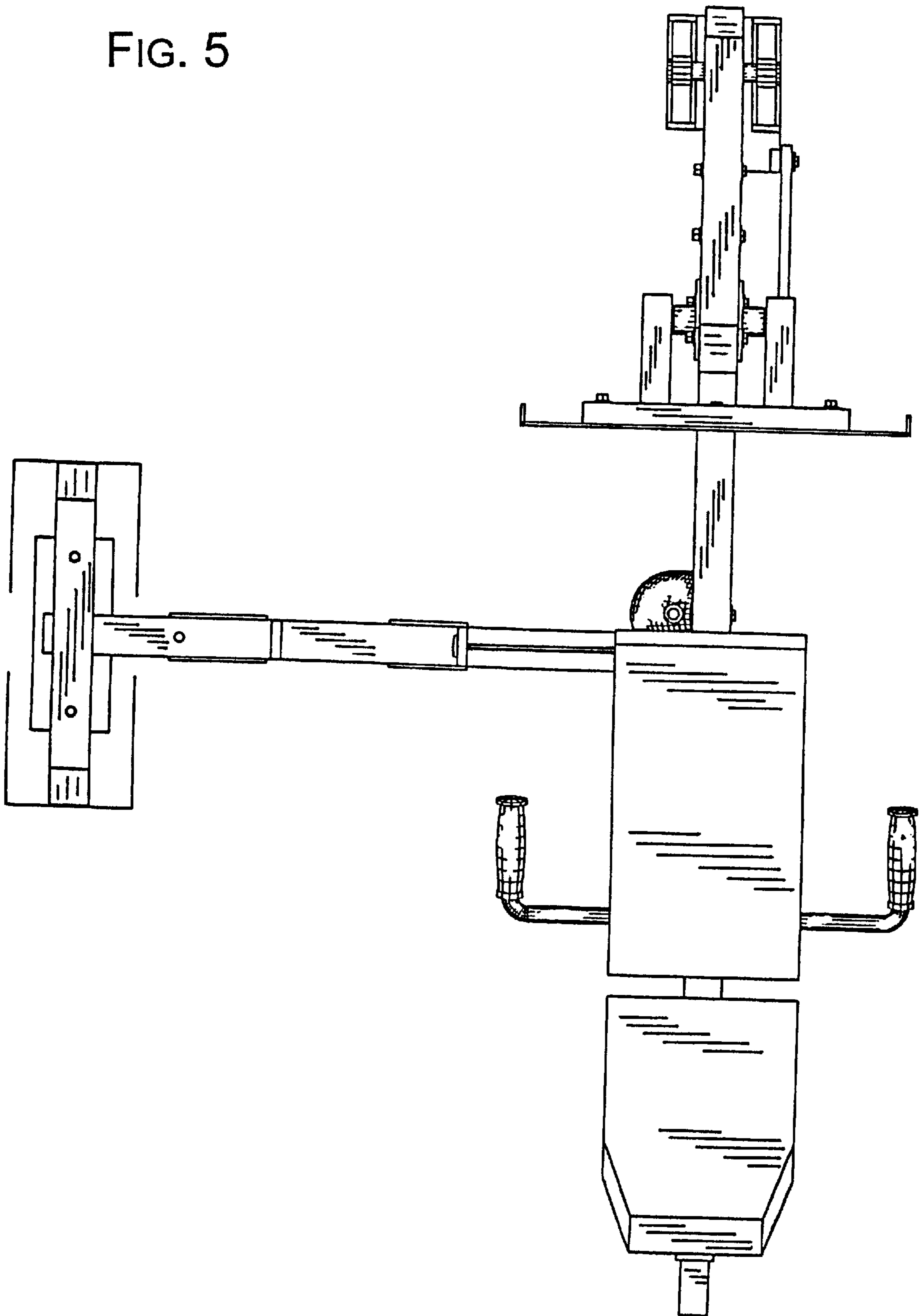


FIG. 5



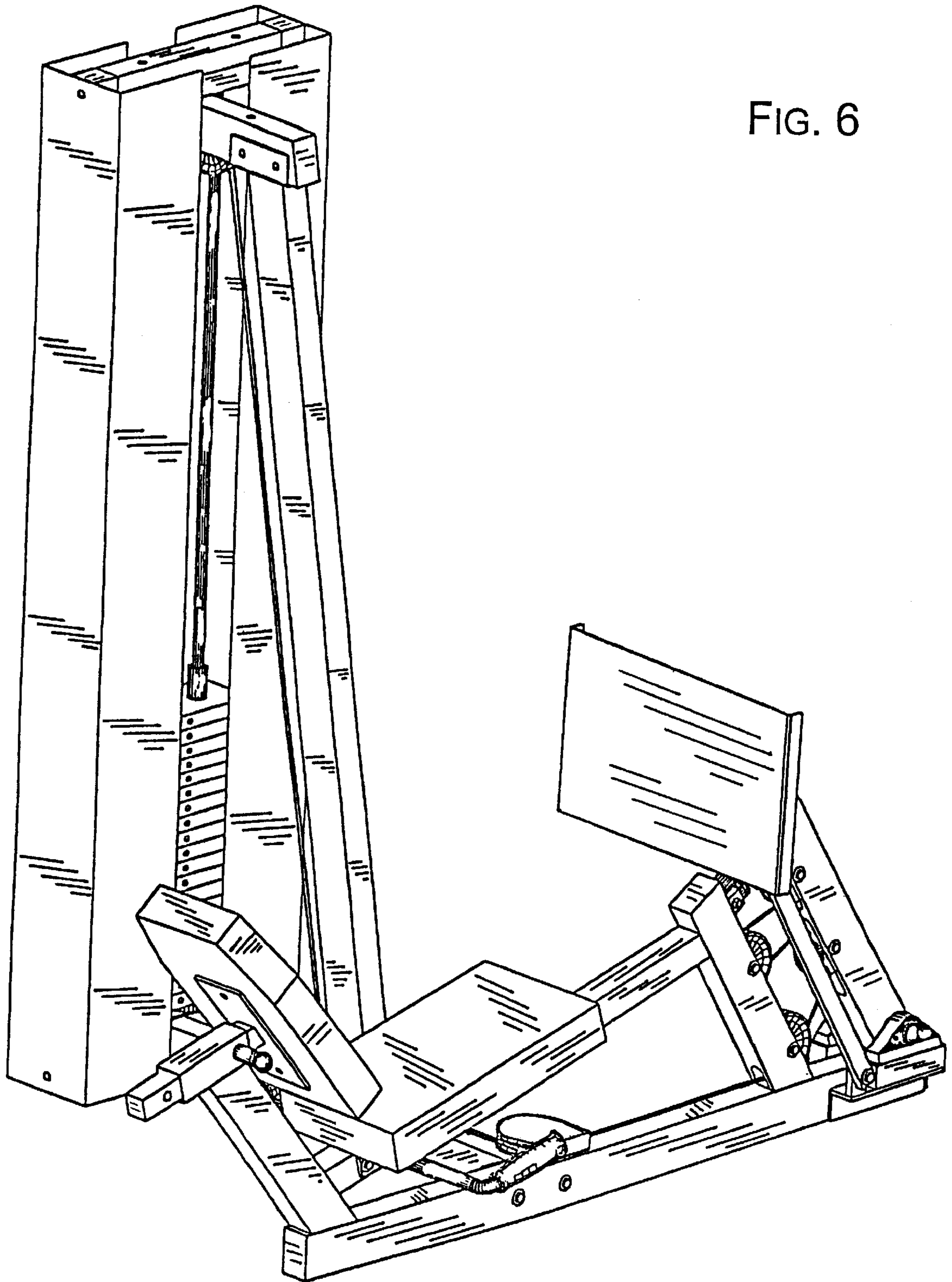


FIG. 6

FIG. 7

