



US00D438913S

(12) **United States Design Patent**
Thorne et al.

(10) **Patent No.:** **US D438,913 S**

(45) **Date of Patent:** **** Mar. 13, 2001**

(54) **TOY MOTORCYCLE**

(76) Inventors: **Lamont Thorne; George Thorne**, both
of 1615 Savannah St., Washington, DC
(US) 20020

(**) Term: **14 Years**

(21) Appl. No.: **29/122,796**

(22) Filed: **May 4, 2000**

(51) **LOC (7) Cl.** **21-01**

(52) **U.S. Cl.** **D21/432; D21/538**

(58) **Field of Search** D21/419-435,
D21/538; D12/110, 112; 446/424, 425,
427, 433, 440, 454, 456, 457, 462, 465,
470; 280/1.13, 828, 87.01, 87.021, 282;
180/219, 229

(56) **References Cited**

U.S. PATENT DOCUMENTS

- D. 227,497 * 6/1973 Lovejoy D21/432
- D. 244,101 * 4/1977 Goldberg D21/432
- D. 276,251 * 11/1984 Wakimura D21/538
- D. 344,299 * 2/1994 Gault D21/435
- D. 384,600 * 10/1997 Miwa et al. D12/110

3,874,700 * 4/1975 Lohr 280/282

4,401,316 * 8/1983 Miyakoshi et al. 180/229

4,739,851 * 4/1988 Perego 446/440

* cited by examiner

Primary Examiner—Raphael Barkai

(57) **CLAIM**

The ornamental design for a toy motorcycle, as shown and described.

DESCRIPTION

FIG. 1 is a front elevational view of the toy motorcycle of the present invention;

FIG. 2 is a rear elevational view of the toy motorcycle of FIG. 1;

FIG. 3 is a left side elevational view of the toy motorcycle of FIG. 1;

FIG. 4 is a right side elevational view of the toy motorcycle of FIG. 1;

FIG. 5 is a top plan view of the toy motorcycle of FIG. 1; and,

FIG. 6 is a bottom plan view of the toy motorcycle of FIG. 1.

1 Claim, 5 Drawing Sheets

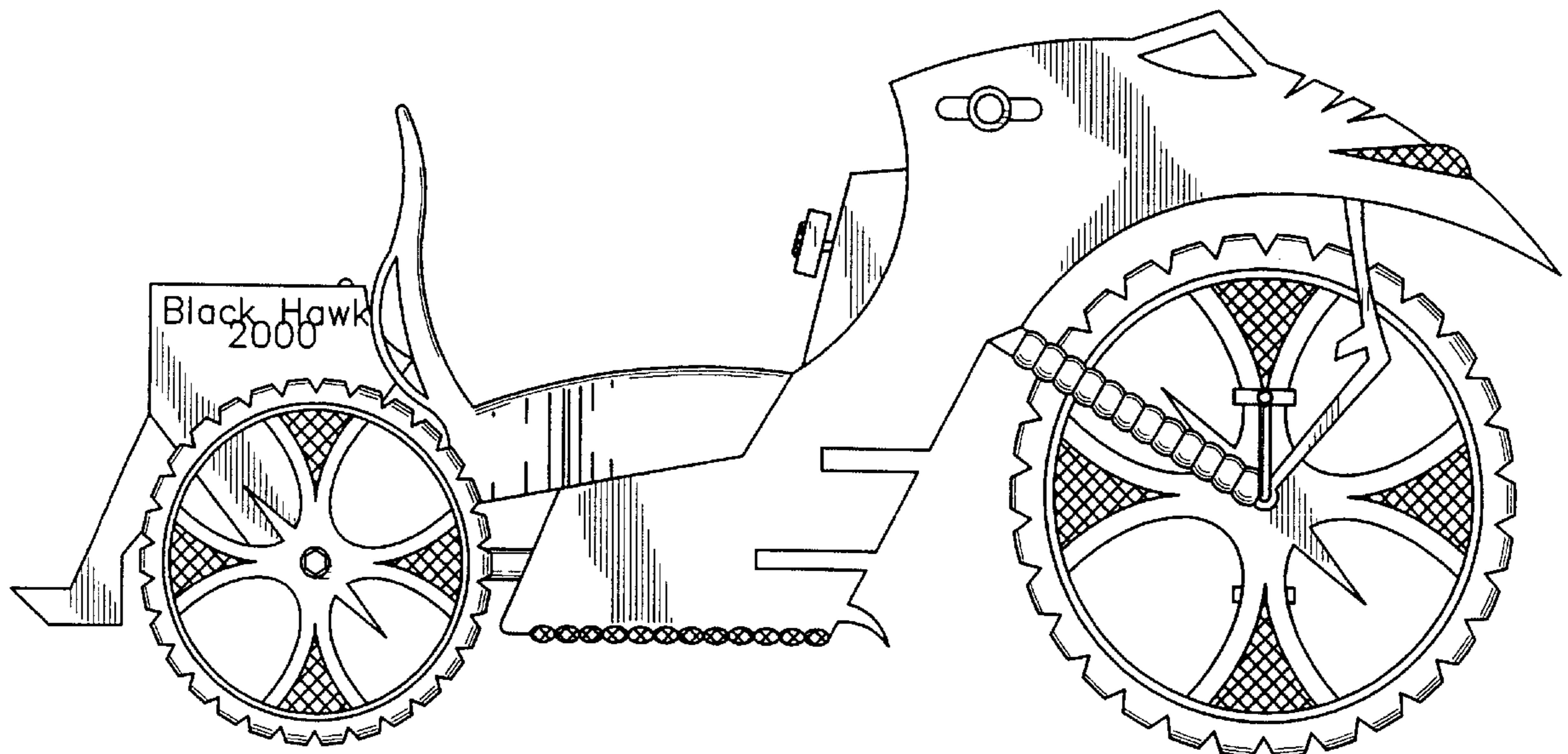


FIG. 1

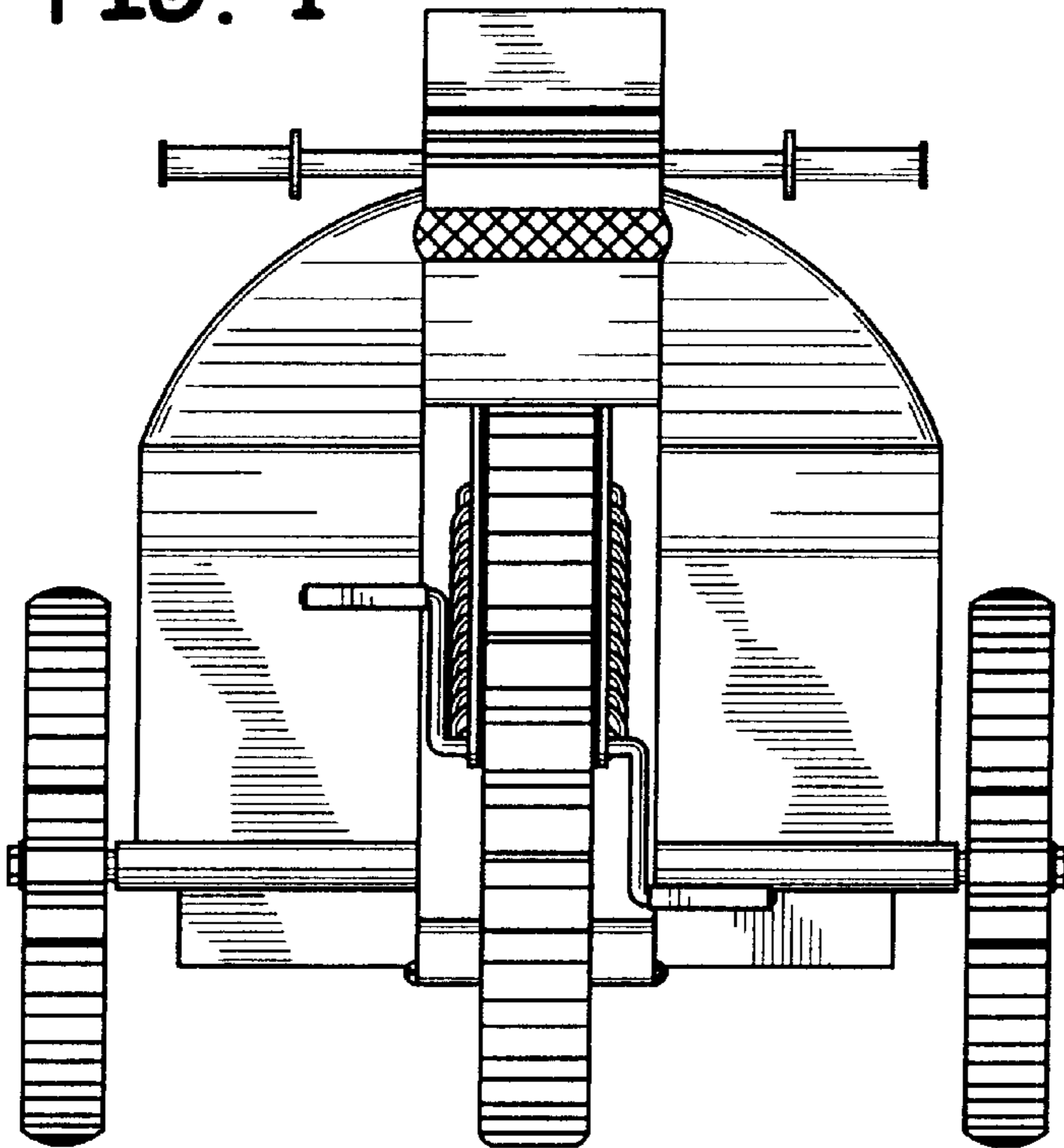
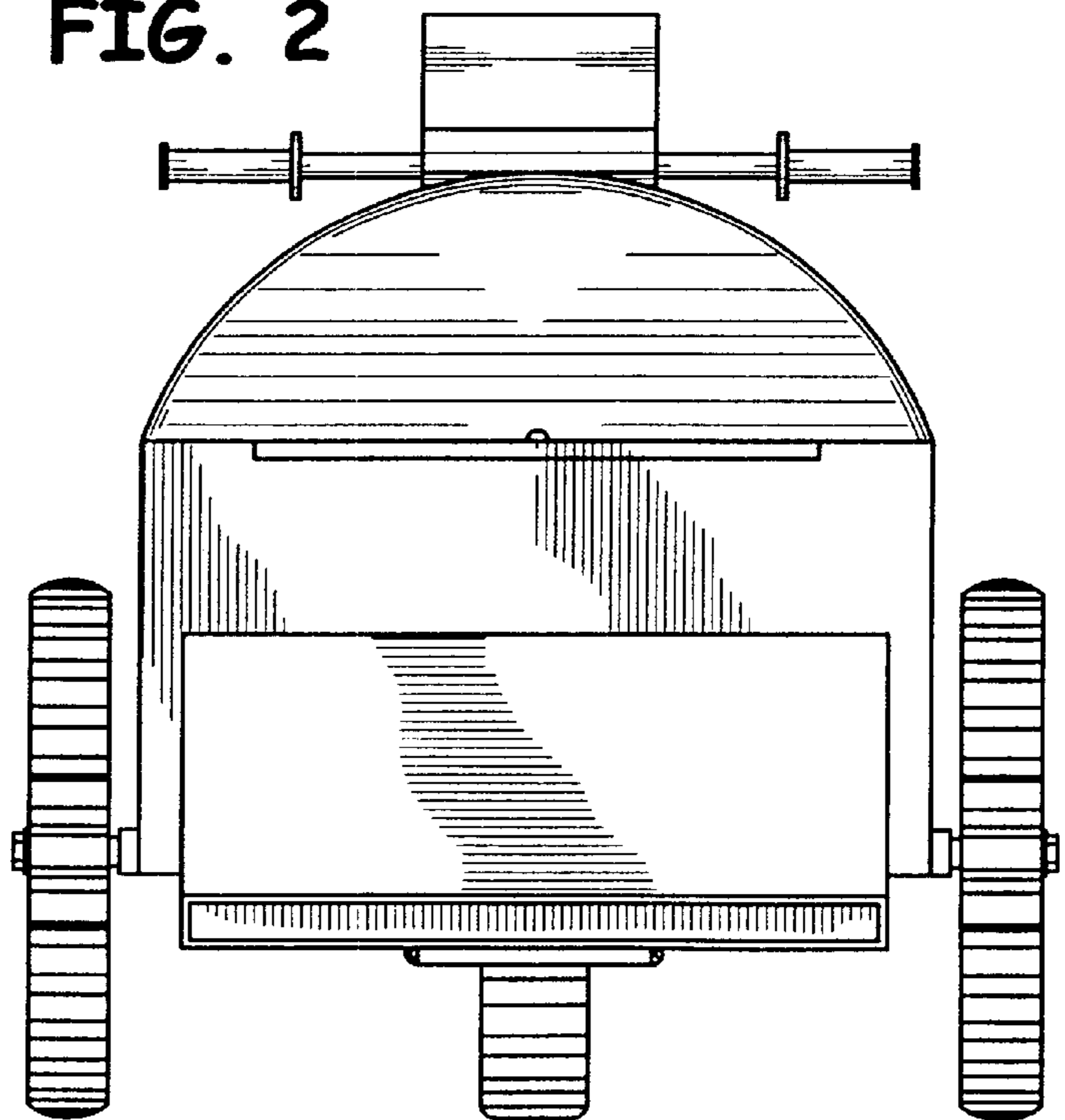
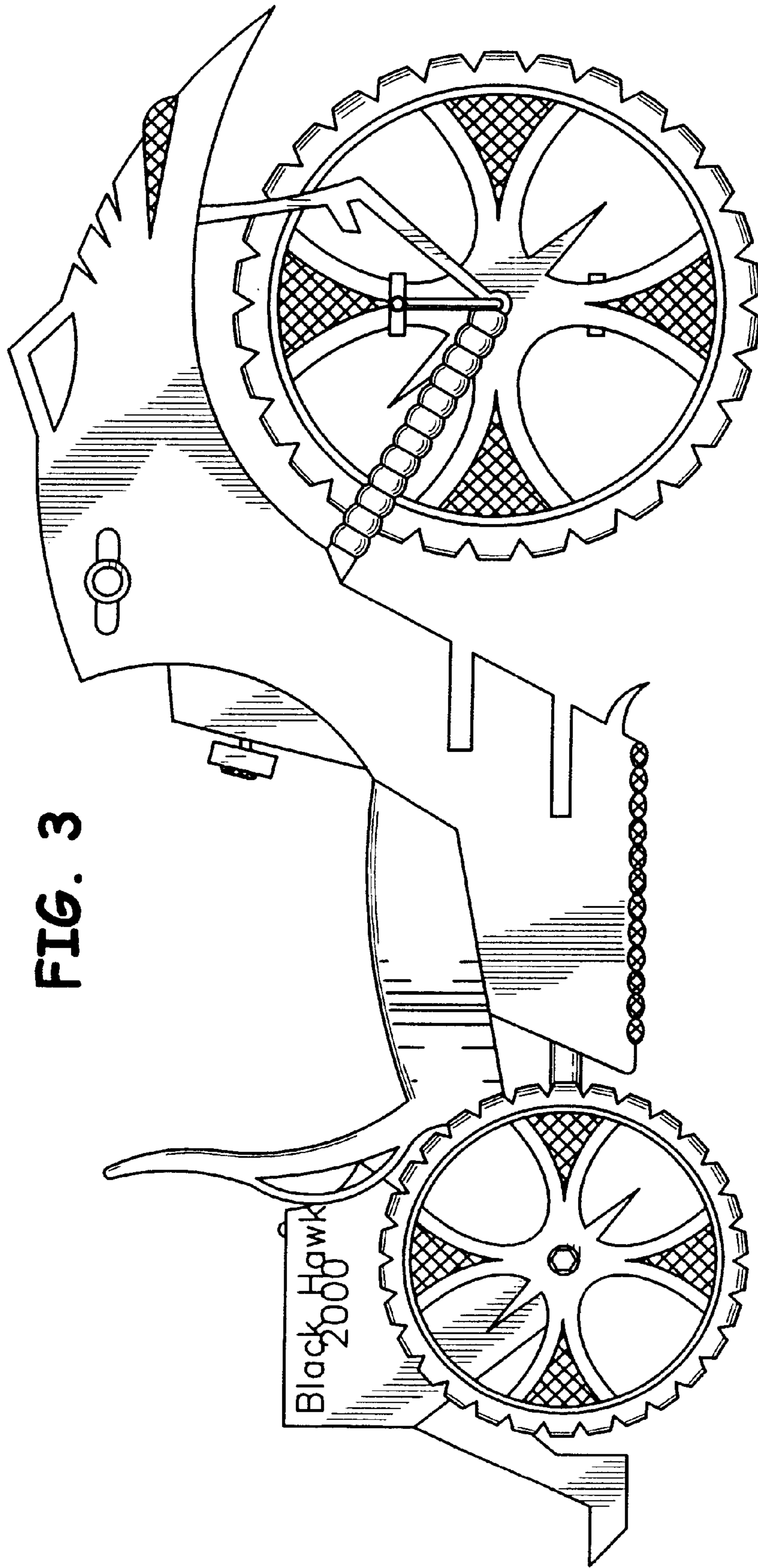
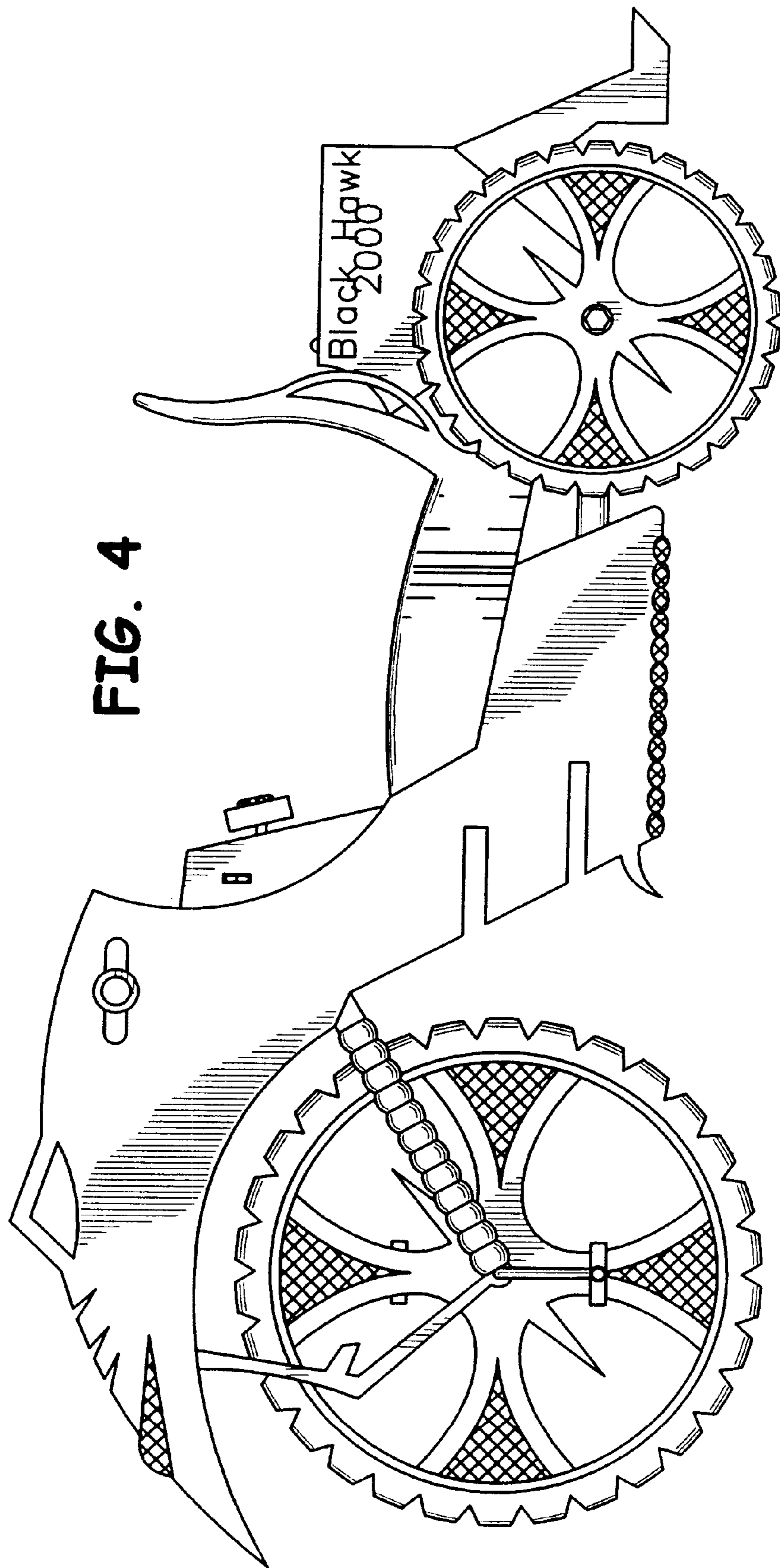


FIG. 2







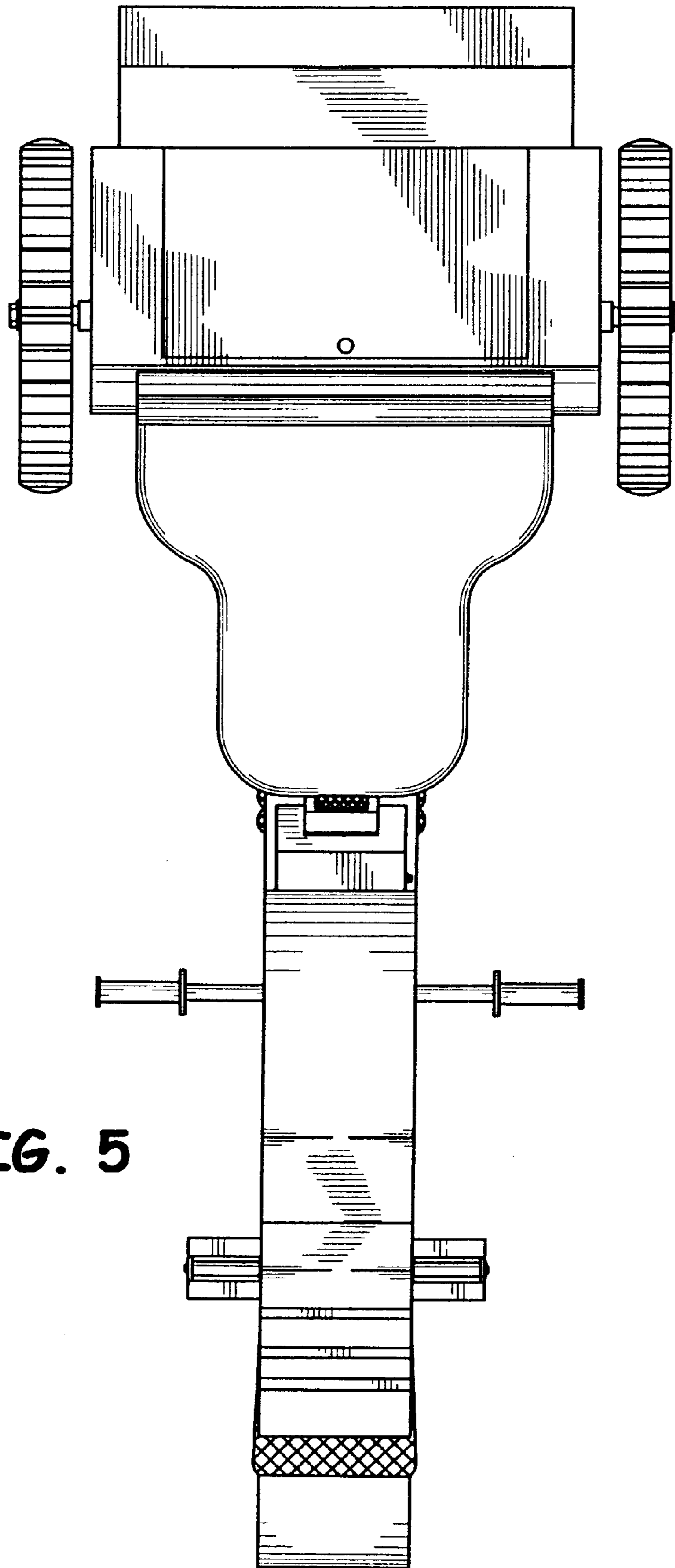


FIG. 5

