



US00D438912S

(12) **United States Design Patent**
Barrera

(10) **Patent No.:** **US D438,912 S**

(45) **Date of Patent:** **** Mar. 13, 2001**

(54) **SCOOTER**

5,775,452 * 7/1998 Patmont 180/181
6,120,044 * 9/2000 Tsai 280/87.05

(75) Inventor: **Adam Barrera, Tai Po (HK)**

* cited by examiner

(73) Assignee: **Chiaphua Industries, Limited, New Territories (HK)**

Primary Examiner—Raphael Barkai

(74) *Attorney, Agent, or Firm*—Leydig, Voit & Mayer, Ltd.

(**) Term: **14 Years**

(57) **CLAIM**

(21) Appl. No.: **29/128,738**

The ornamental design for a scooter, as shown and described.

(22) Filed: **Aug. 30, 2000**

DESCRIPTION

(51) **LOC (7) Cl.** **21-01**

(52) **U.S. Cl.** **D21/423**

(58) **Field of Search** D21/419, 421,
D21/423, 424, 426, 435, 533, 760, 765,
771; D12/107, 110-112; 280/87.01, 87.04,
87.041, 87.042, 87.05; 180/181, 216

FIG. 1 is a left side elevational view of a scooter showing my new design;

FIG. 2 is a right side elevational view thereof;

FIG. 3 is a front end elevational view thereof;

FIG. 4 is a rear end elevational view thereof;

FIG. 5 is a top plan view thereof;

FIG. 6 is a bottom plan view thereof;

FIG. 7 is a front end and left side perspective view thereof; and,

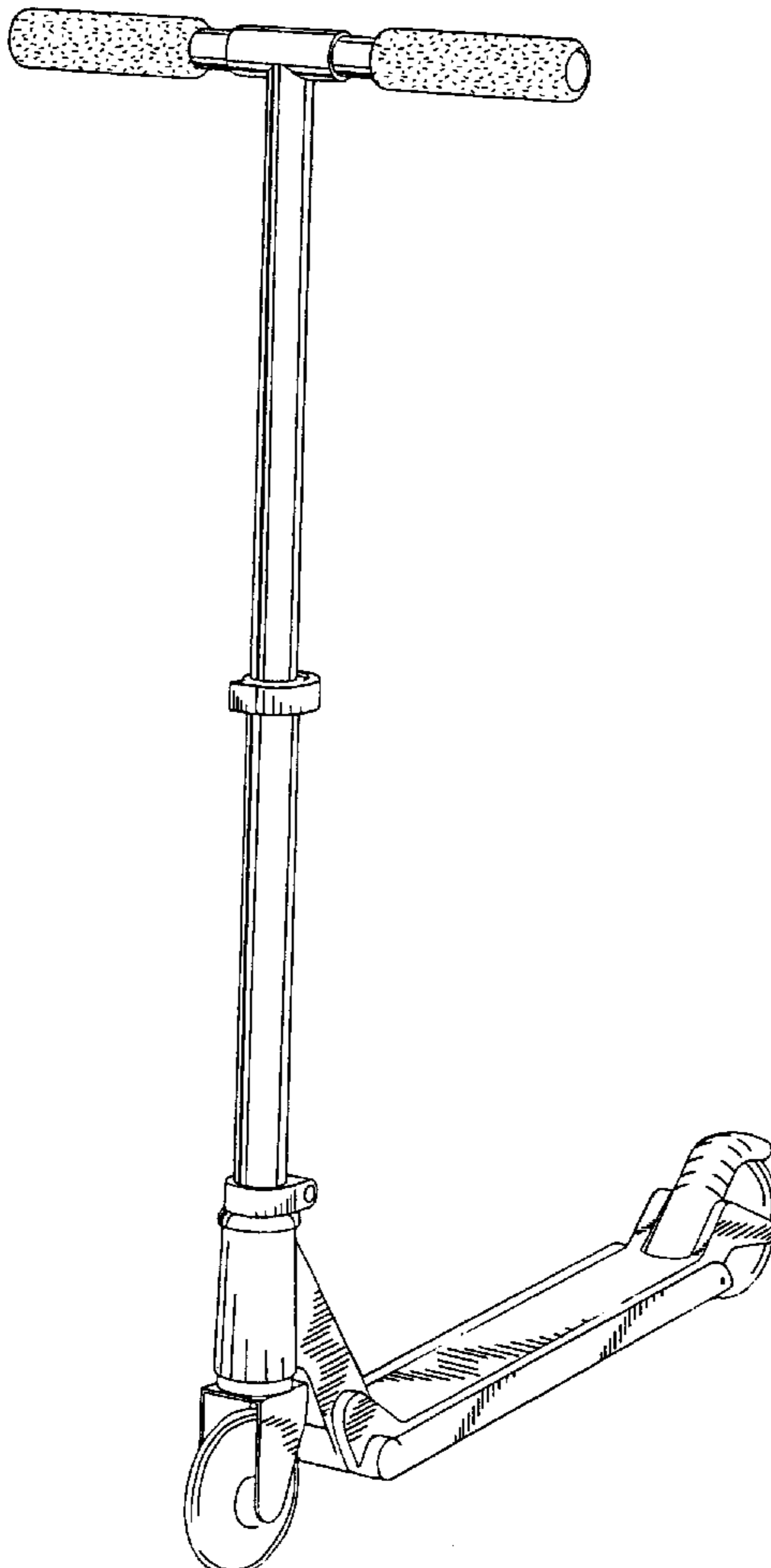
FIG. 8 is a front end and left side perspective view thereof in a folded condition, on an enlarged scale.

(56) **References Cited**

U.S. PATENT DOCUMENTS

D. 289,065 * 3/1987 Schultz D21/423
1,274,889 * 8/1918 Johnson D21/423
4,707,884 * 11/1987 Chang 280/87.041
4,799,701 * 1/1989 Lindau 280/87.041

1 Claim, 8 Drawing Sheets



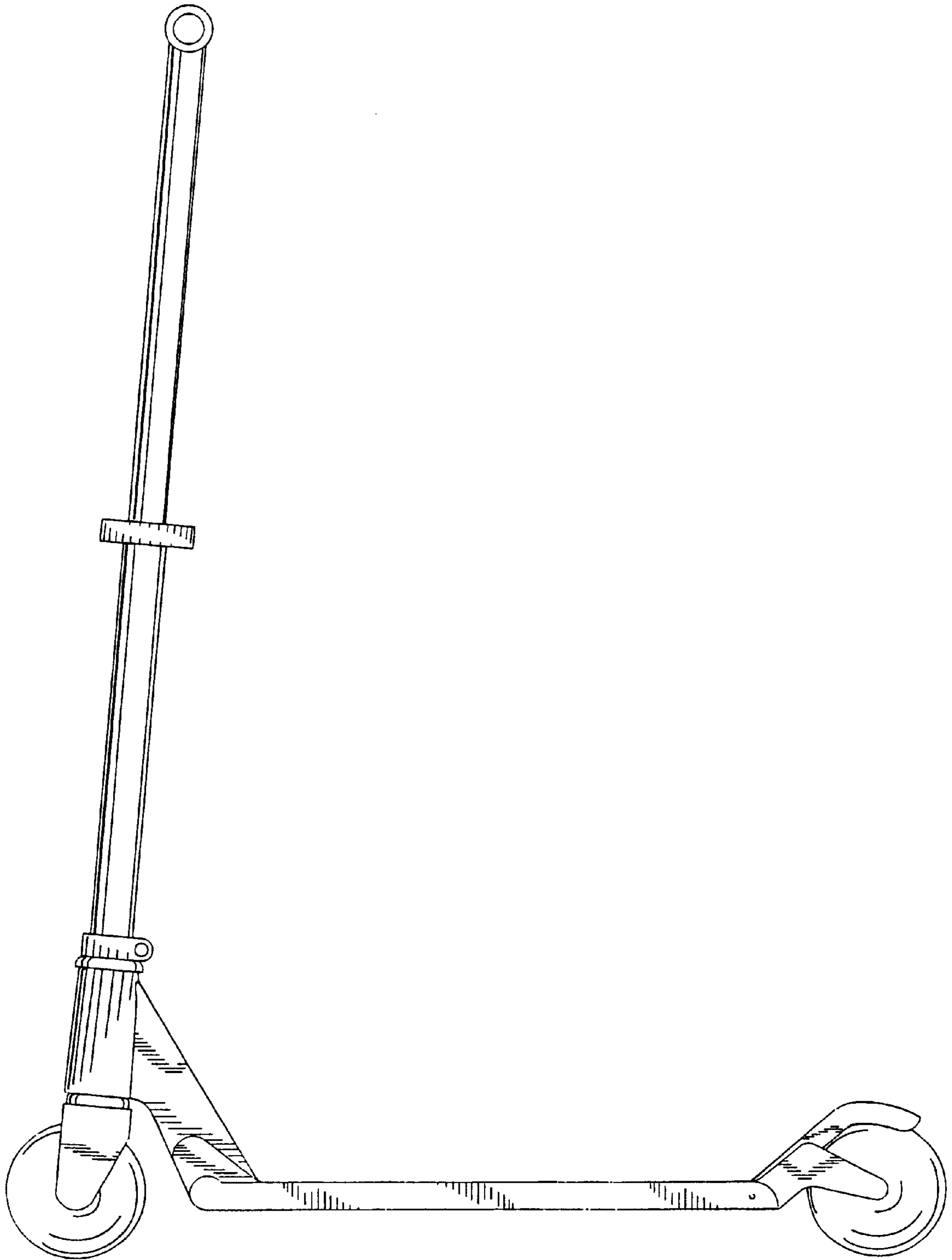


FIG. 1

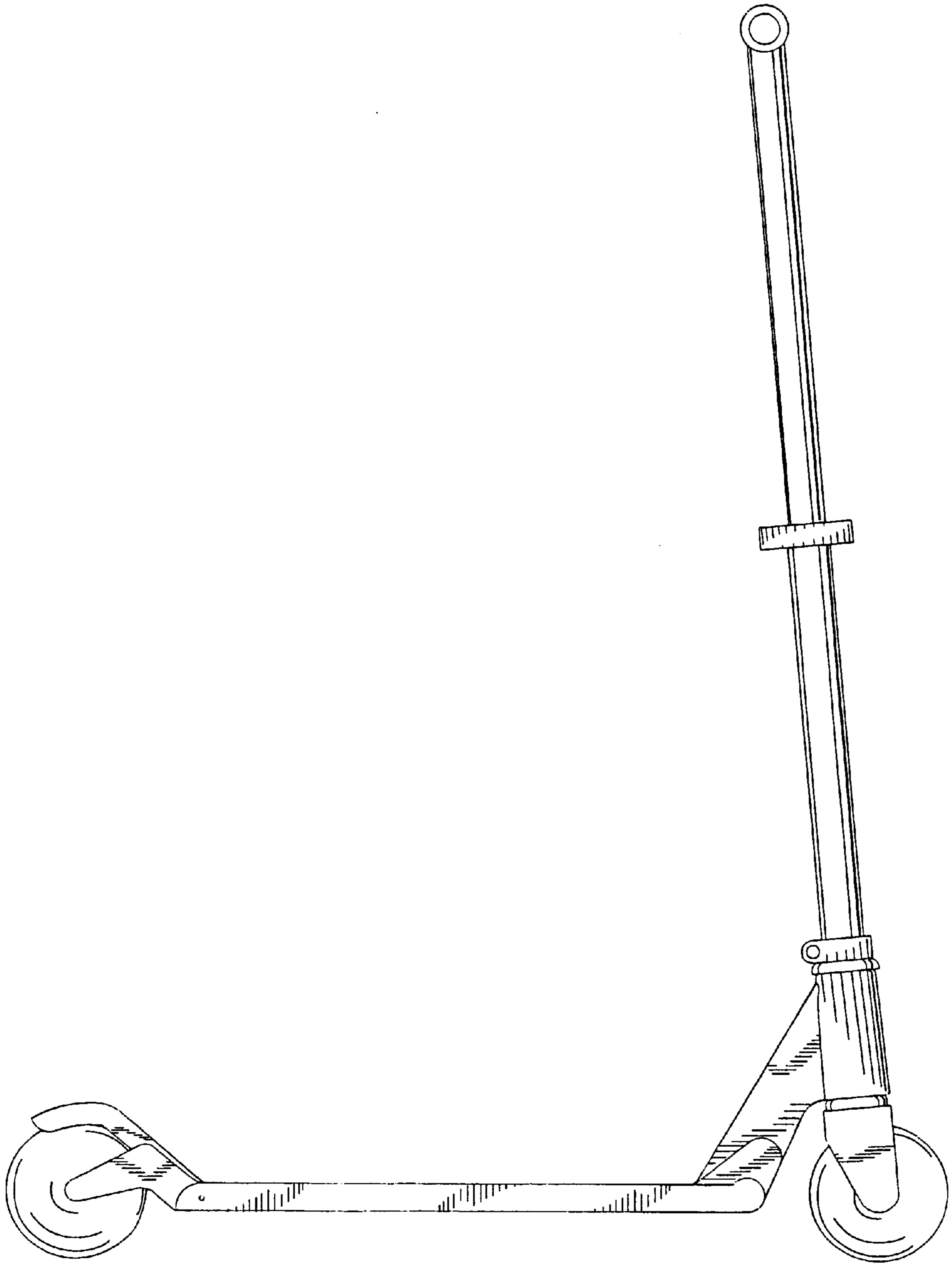


FIG. 2

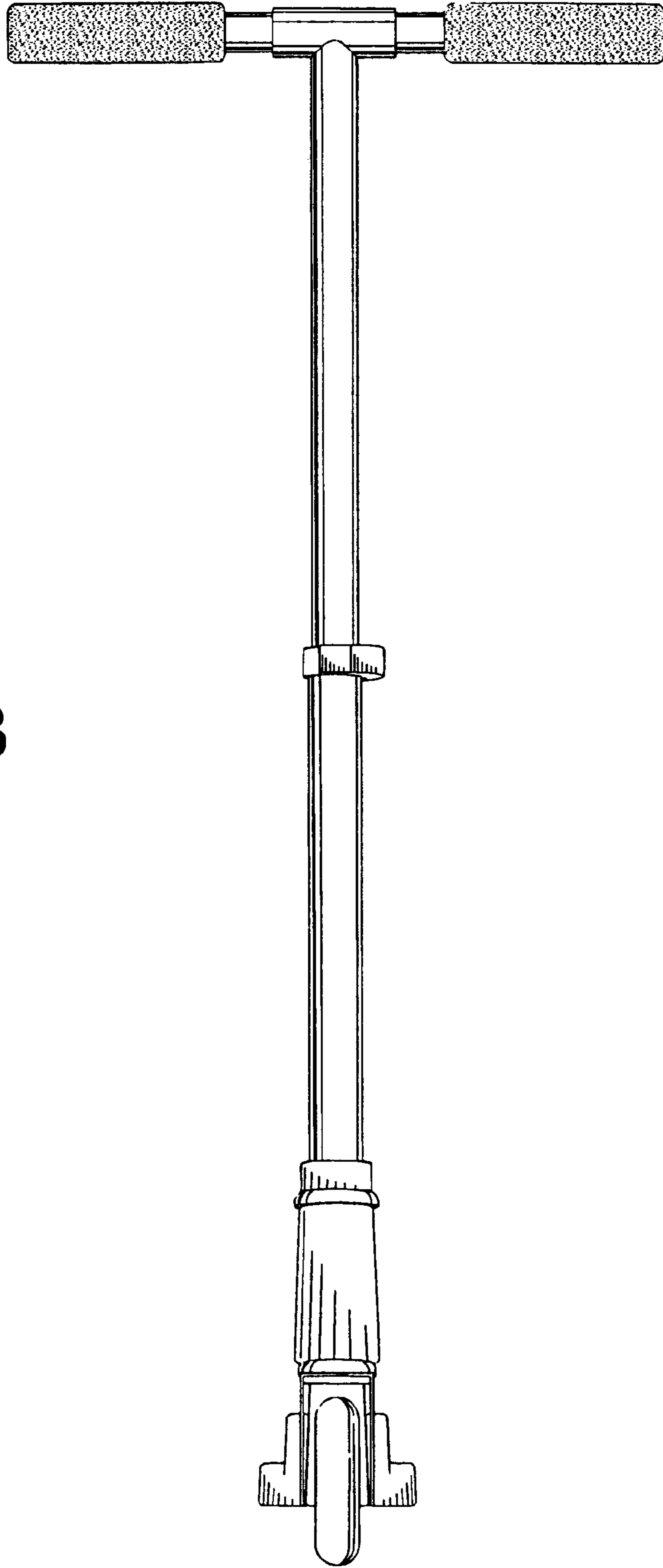


FIG. 3

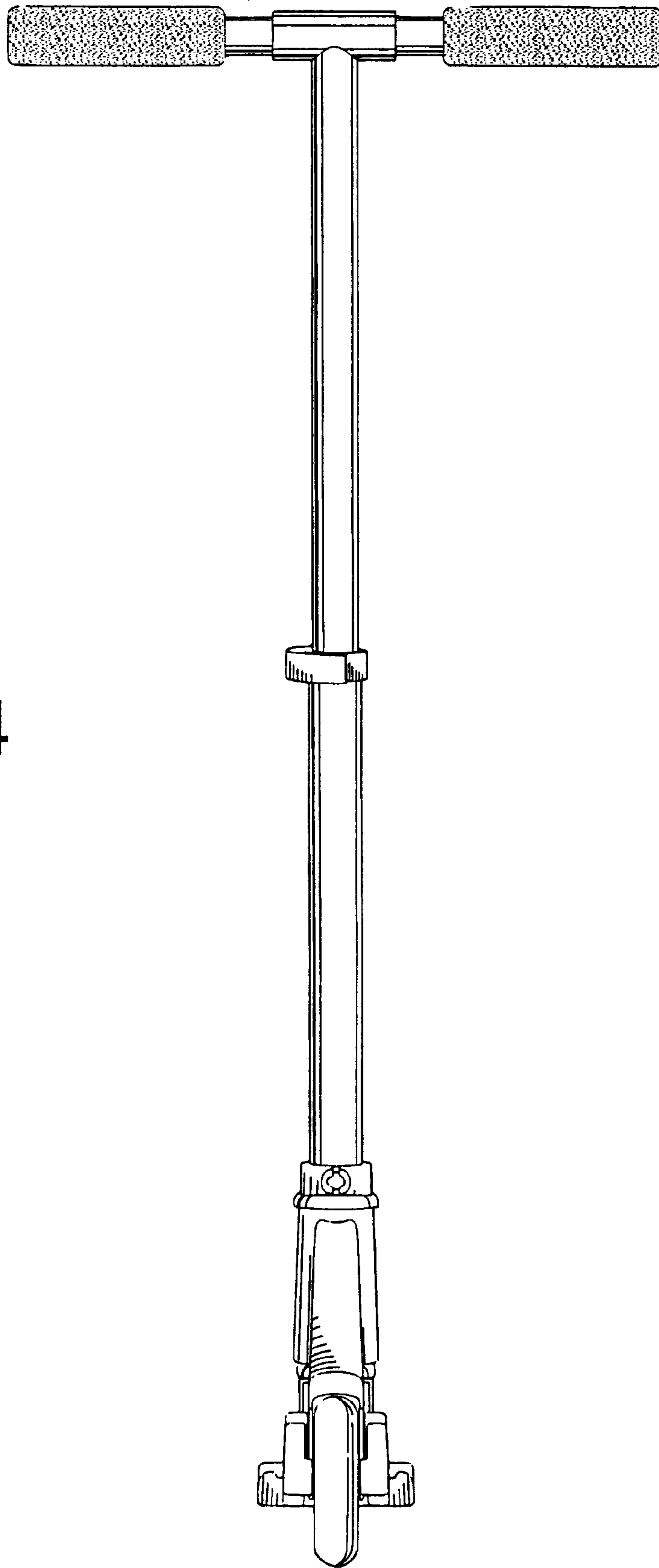


FIG. 4

FIG. 5

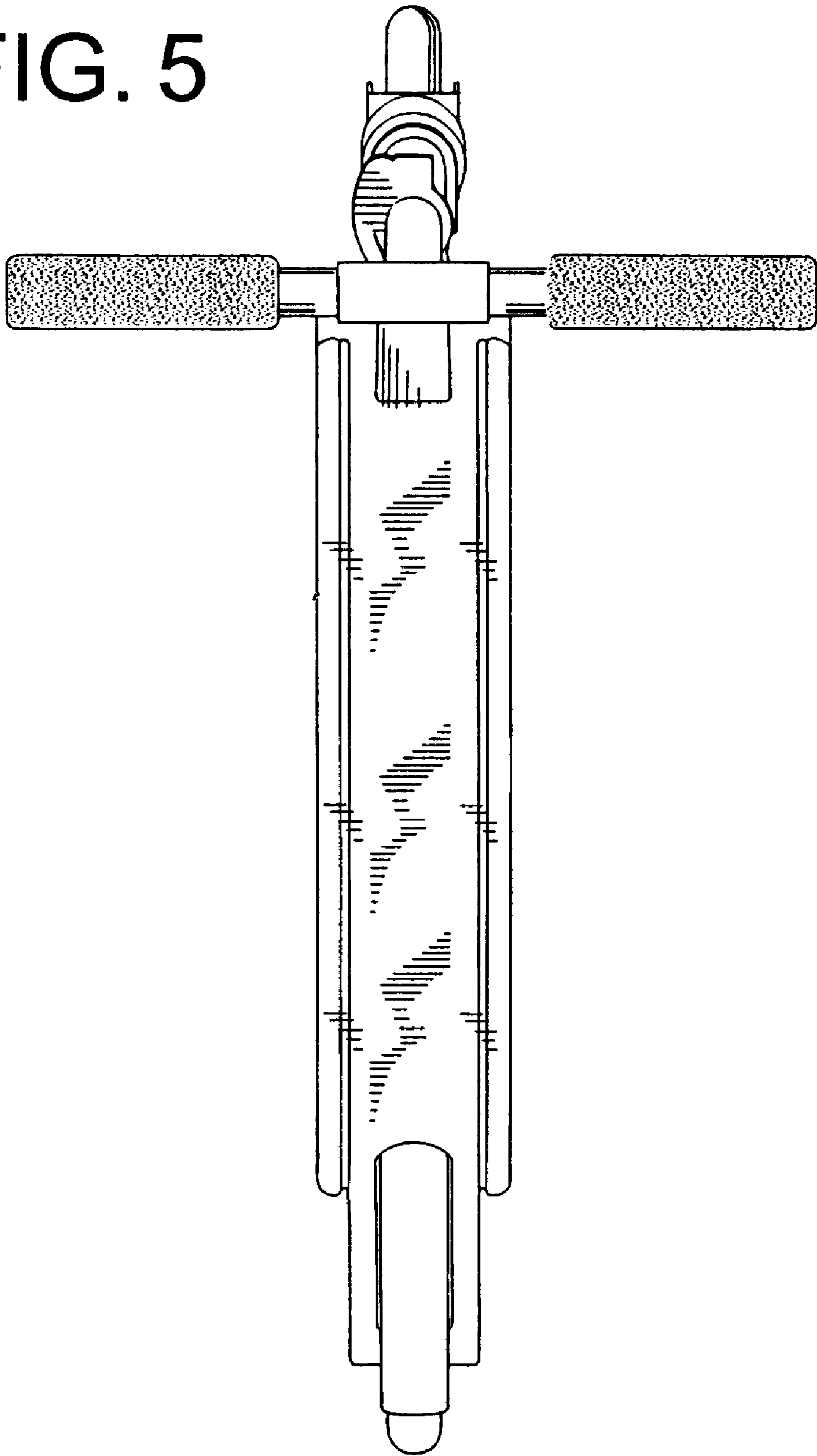
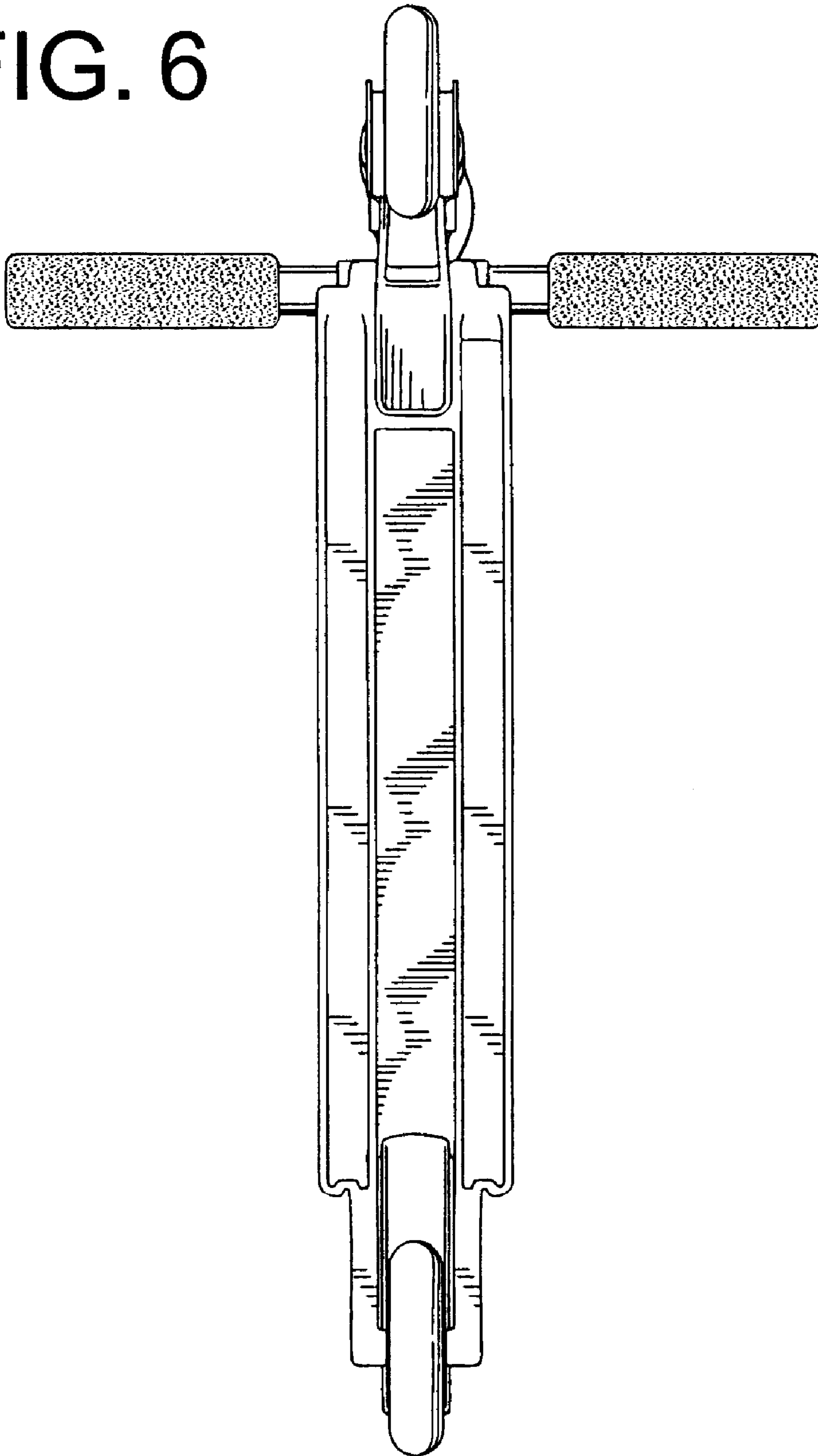


FIG. 6



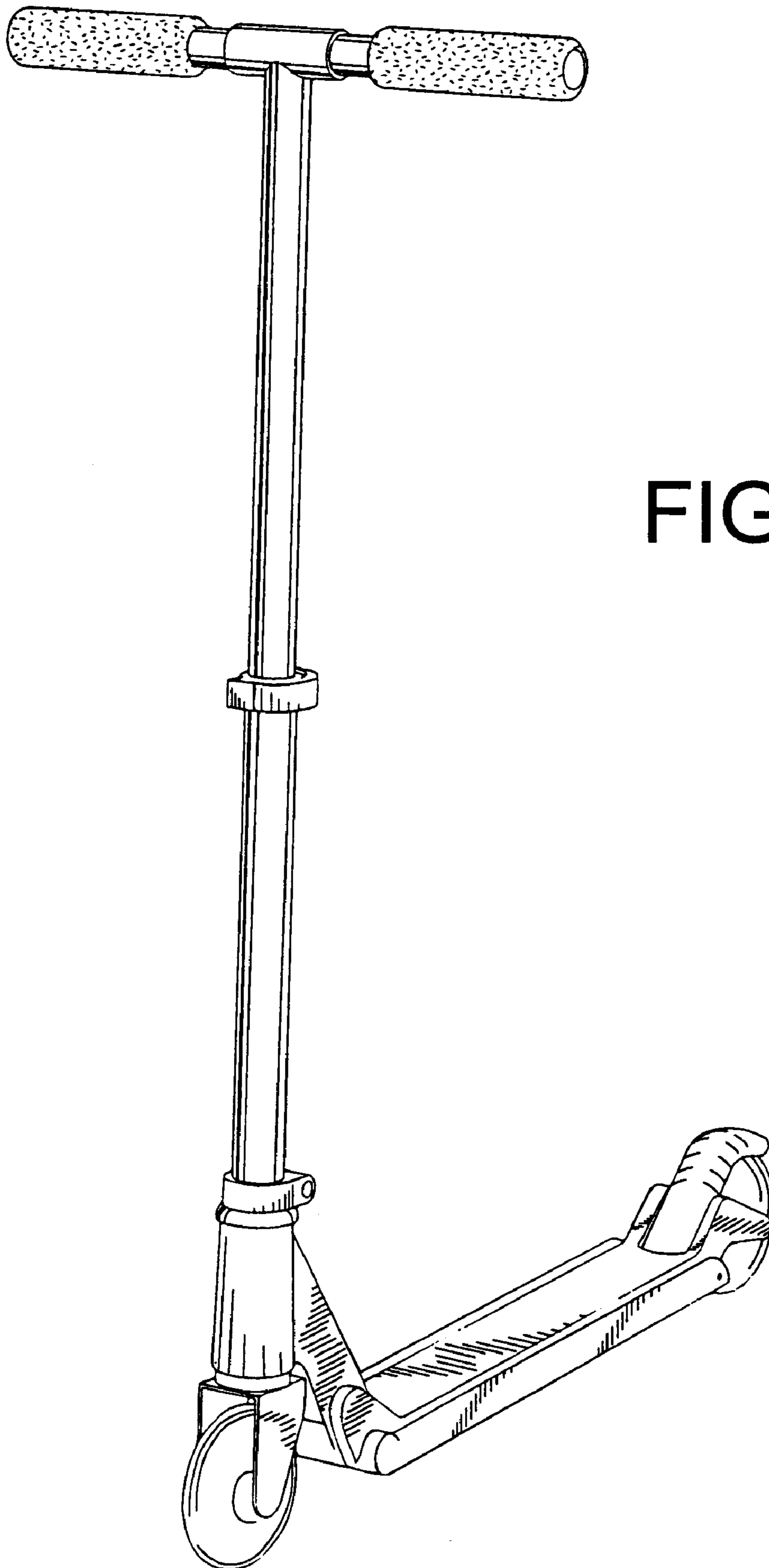


FIG. 7

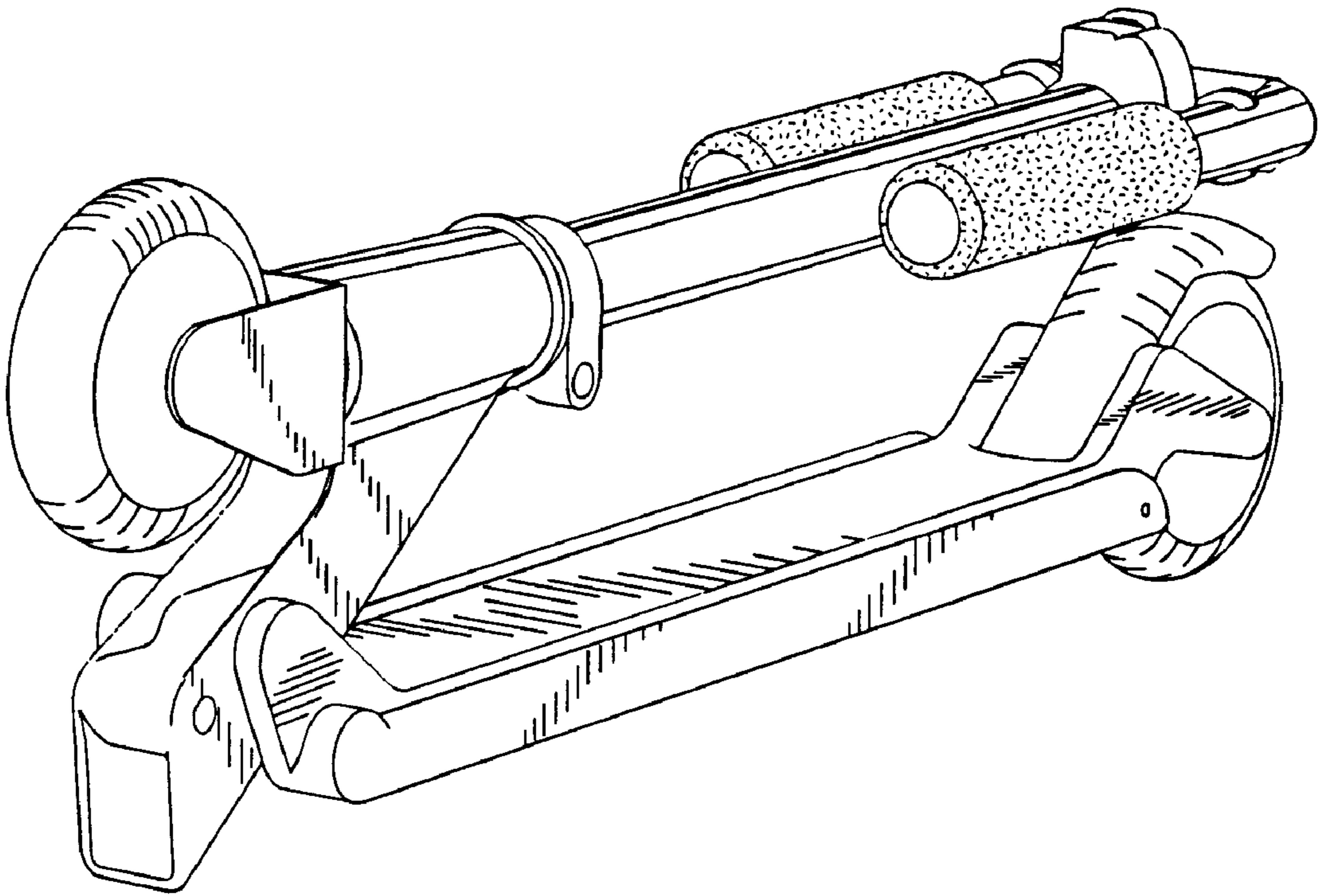


FIG. 8