



US00D438910S

(12) **United States Design Patent**  
**Culberson**

(10) **Patent No.:** **US D438,910 S**

(45) **Date of Patent:** **\*\* Mar. 13, 2001**

(54) **GAME APPARATUS**

(75) Inventor: **Judith L. Culberson**, Winston-Salem, NC (US)

(73) Assignee: **Kaplan Companies, Inc.**, Lewisville, NC (US)

(\*\*) Term: **14 Years**

(21) Appl. No.: **29/113,779**

(22) Filed: **Nov. 10, 1999**

(51) **LOC (7) Cl.** ..... **21-01**

(52) **U.S. Cl.** ..... **D21/303**

(58) **Field of Search** ..... D21/302-309,  
D21/334, 335; 273/317, 348, 398-402,  
407, 287, 285, 459, 331-335; 473/416,  
422, 423, 806, 816

(56) **References Cited**

**U.S. PATENT DOCUMENTS**

- D. 163,498 \* 5/1951 Wade ..... D21/302
- D. 234,435 \* 3/1975 Pinetro ..... D21/303
- D. 333,683 \* 3/1993 Trachet ..... D21/302

- 2,616,697 \* 11/1952 Brasington ..... 273/331
- 3,312,470 \* 4/1967 Ames ..... 273/331
- 4,339,137 \* 7/1982 Kemp et al. .... 273/331
- 4,883,272 \* 11/1989 Lay ..... 273/407 X
- 5,570,889 \* 11/1996 Tyrer ..... 273/407 X

\* cited by examiner

*Primary Examiner*—Prabhakar Deshmukh

(74) *Attorney, Agent, or Firm*—Charles W. Calkins

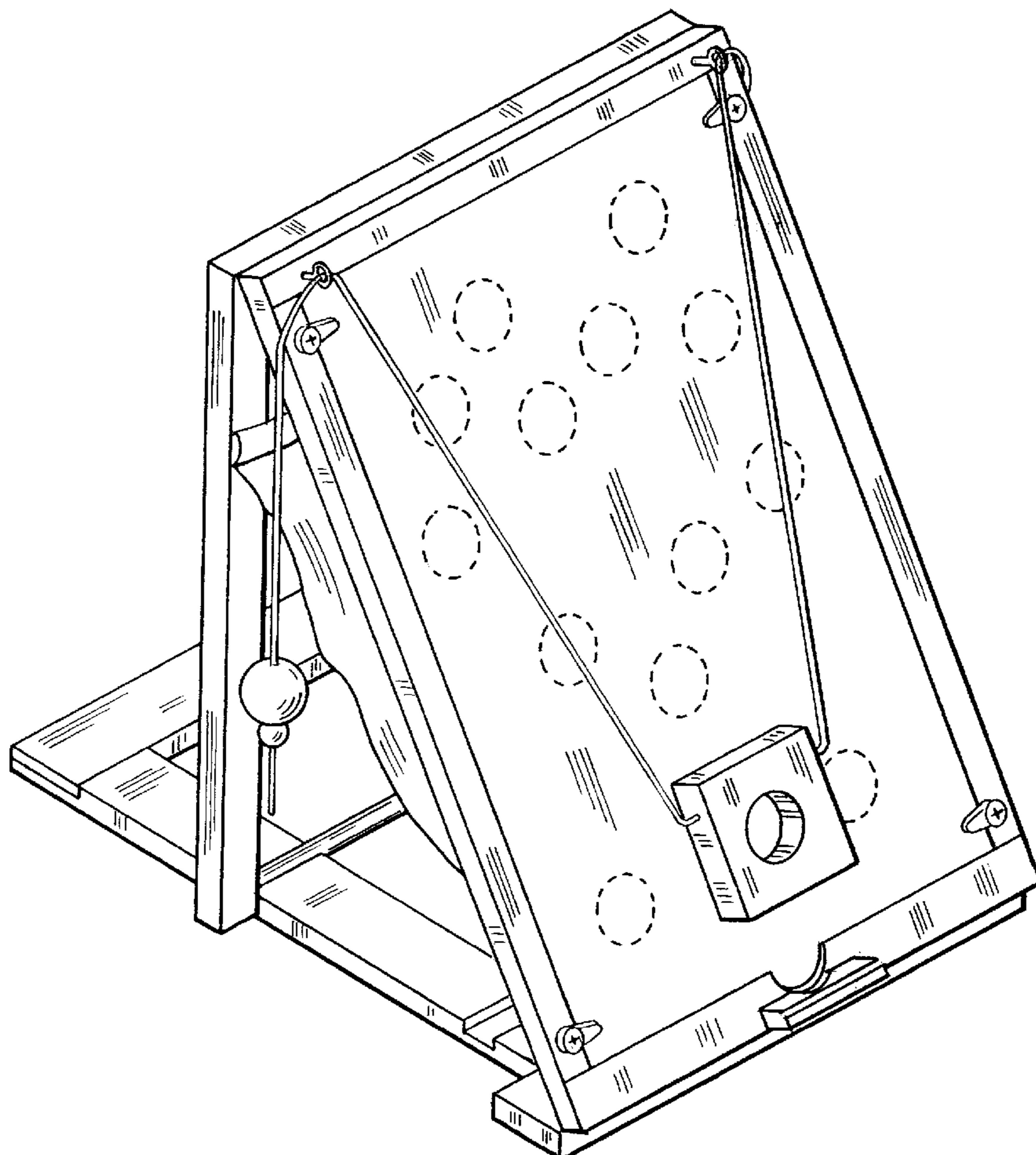
(57) **CLAIM**

I claim the ornamental design for a game apparatus, as shown.

**DESCRIPTION**

FIG. 1 is a perspective view of a game apparatus showing my new design;  
 FIG. 2 is a front elevational view thereof;  
 FIG. 3 is a right side elevational view thereof;  
 FIG. 4 is a top plan view thereof;  
 FIG. 5 is a bottom plan view thereof;  
 FIG. 6 is a rear perspective view thereof;  
 FIG. 7 is a rear elevational view thereof; and,  
 FIG. 8 is a left side elevational view thereof.

**1 Claim, 5 Drawing Sheets**



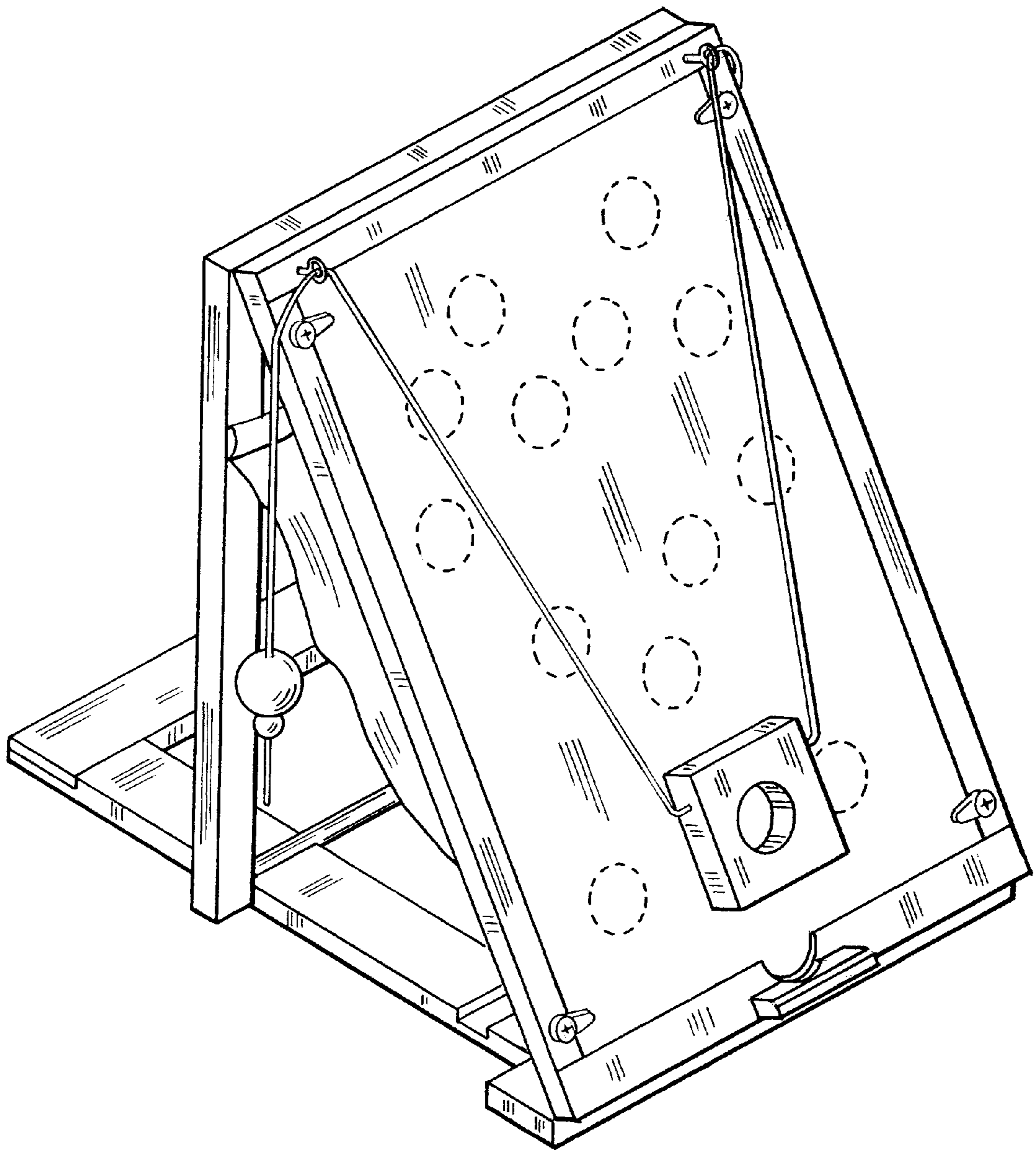


FIG. 1

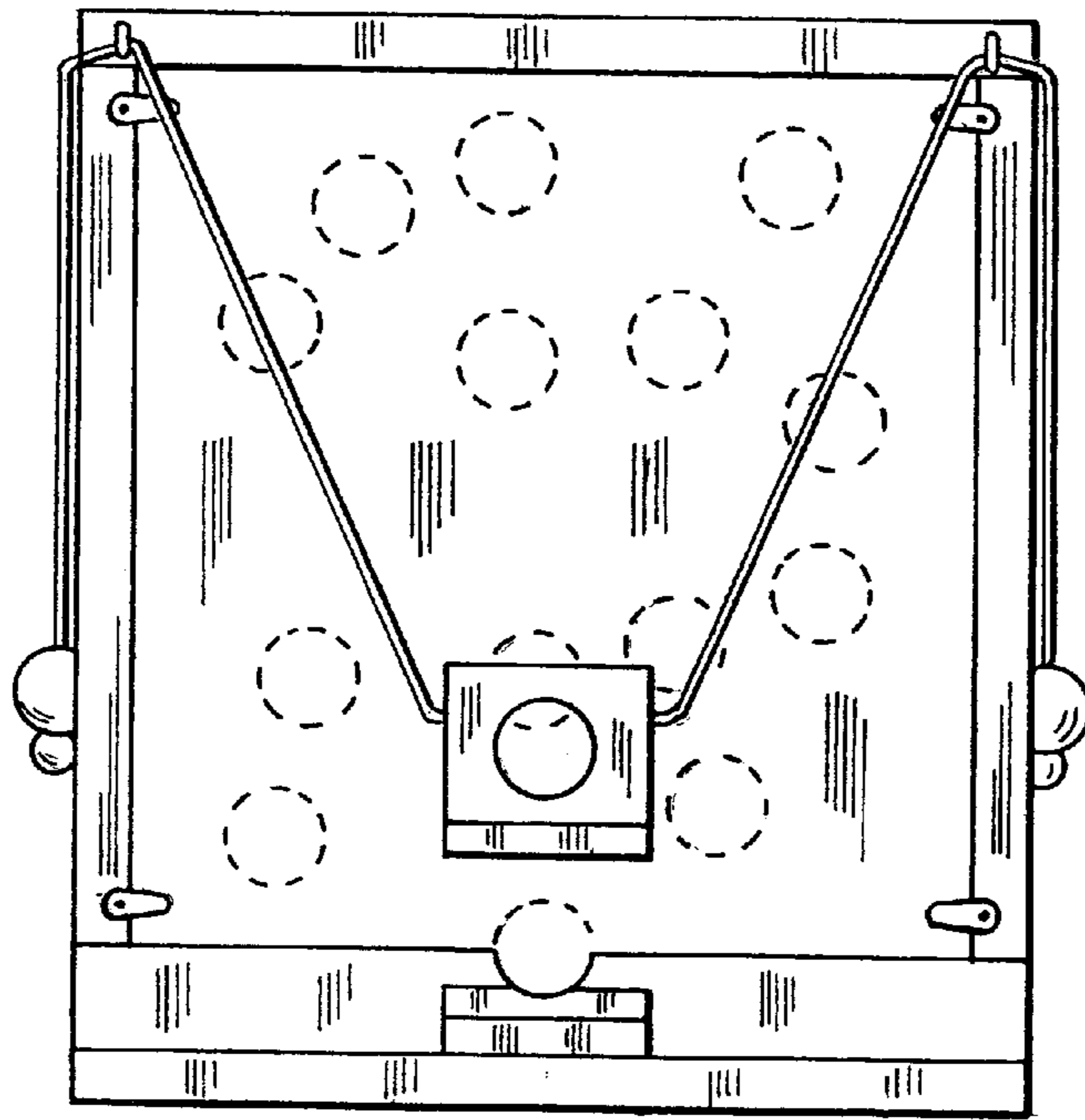


FIG. 2

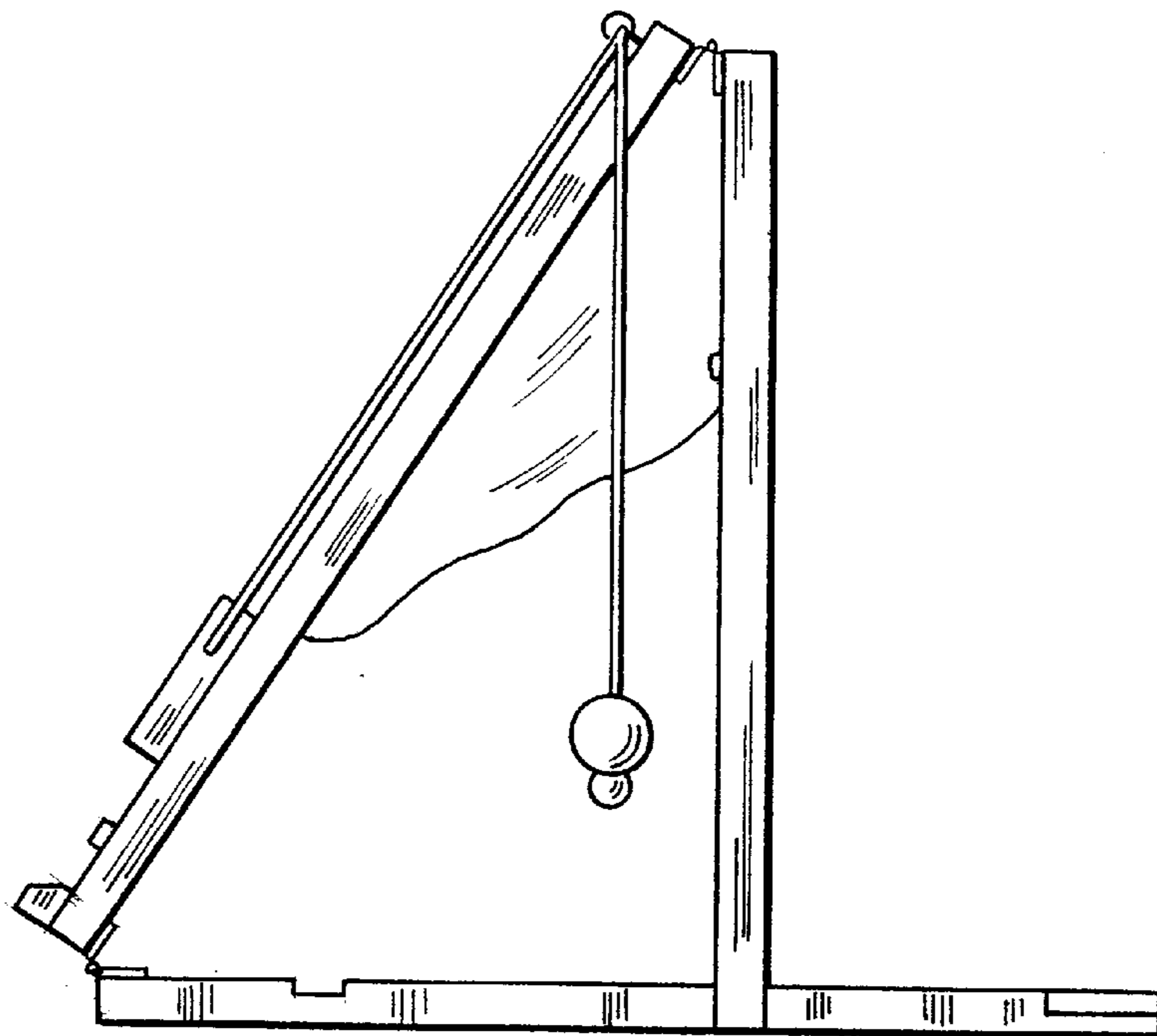


FIG. 3

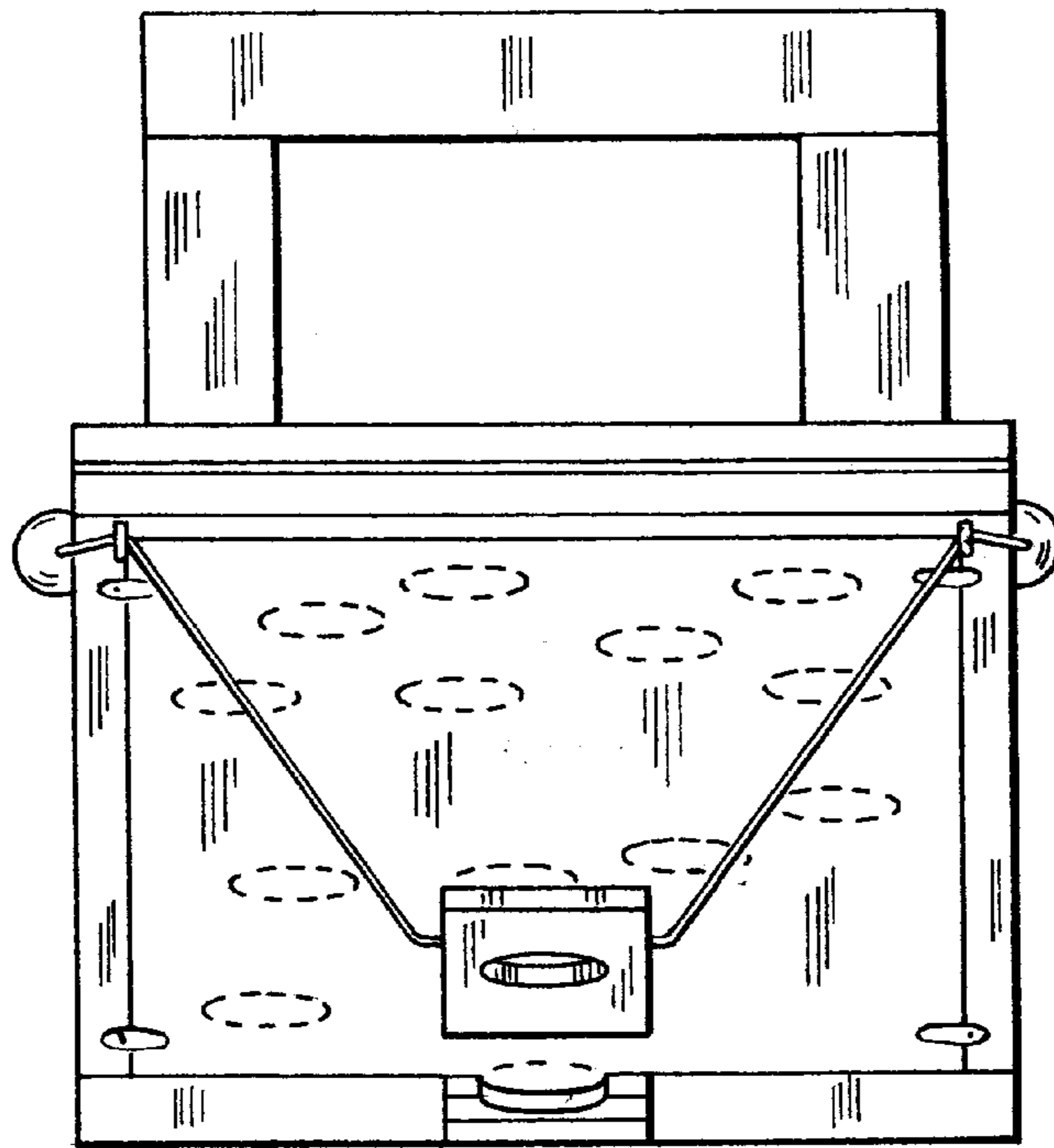


FIG. 4

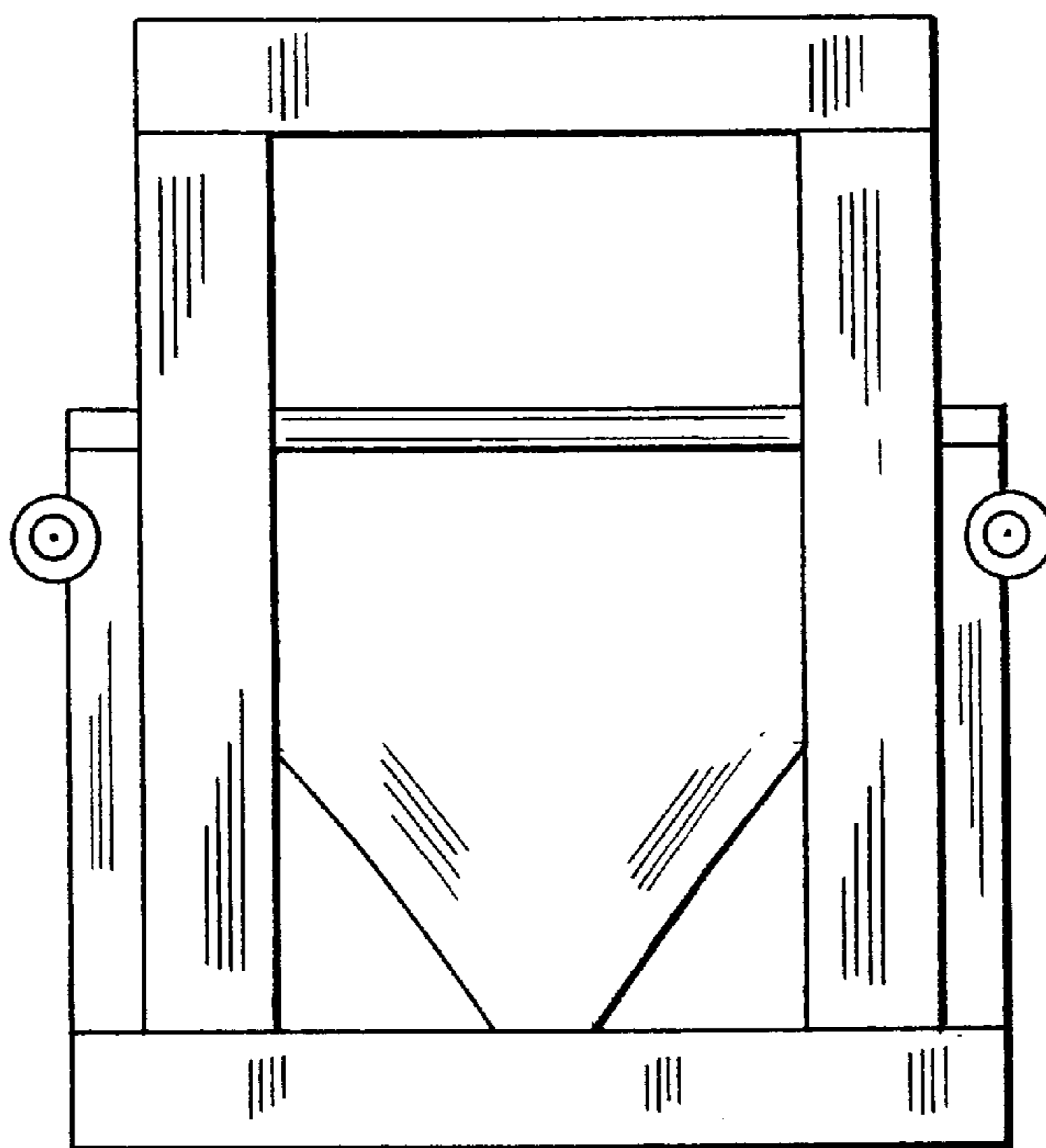


FIG. 5



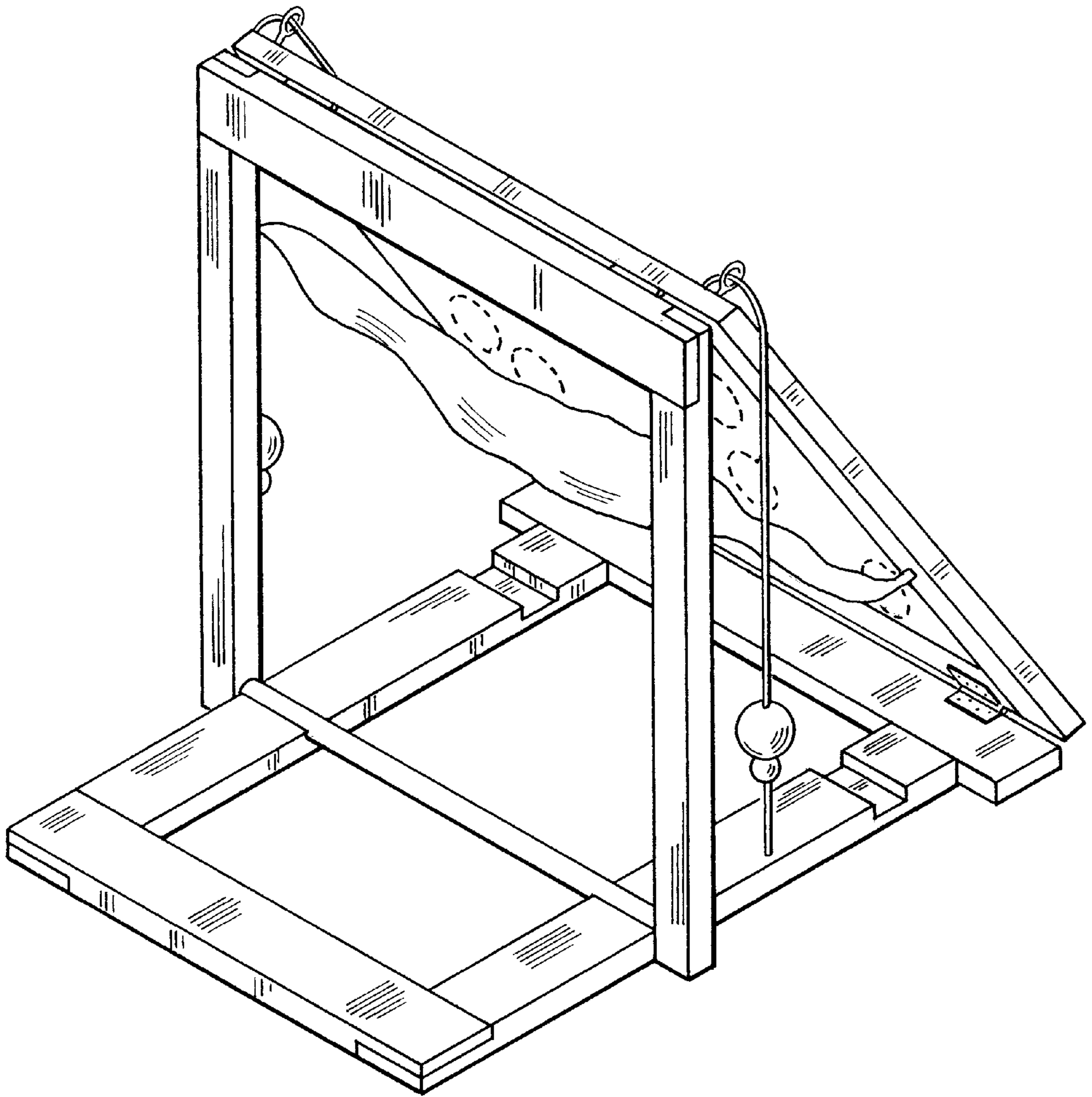


FIG. 6

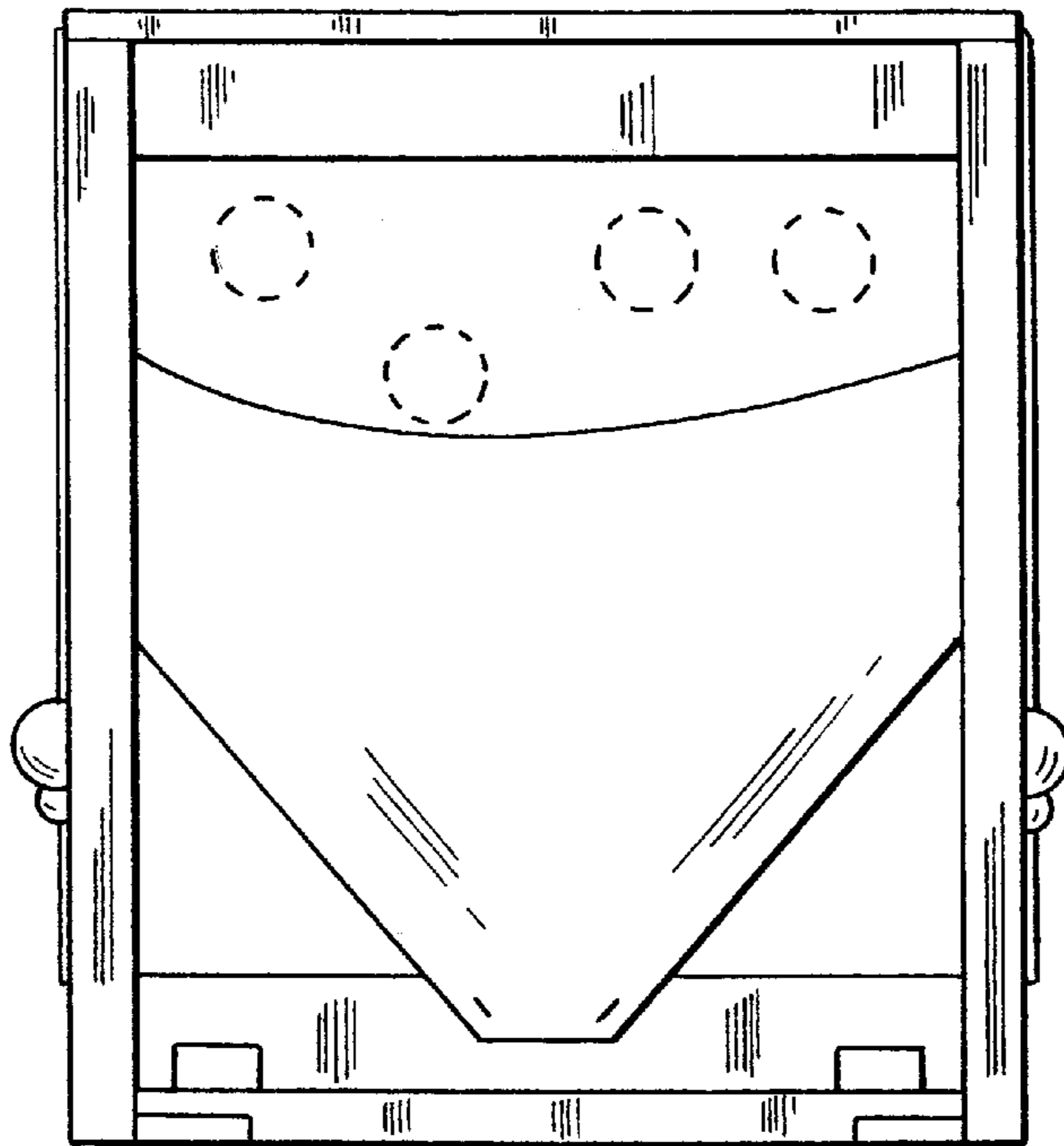


FIG. 7

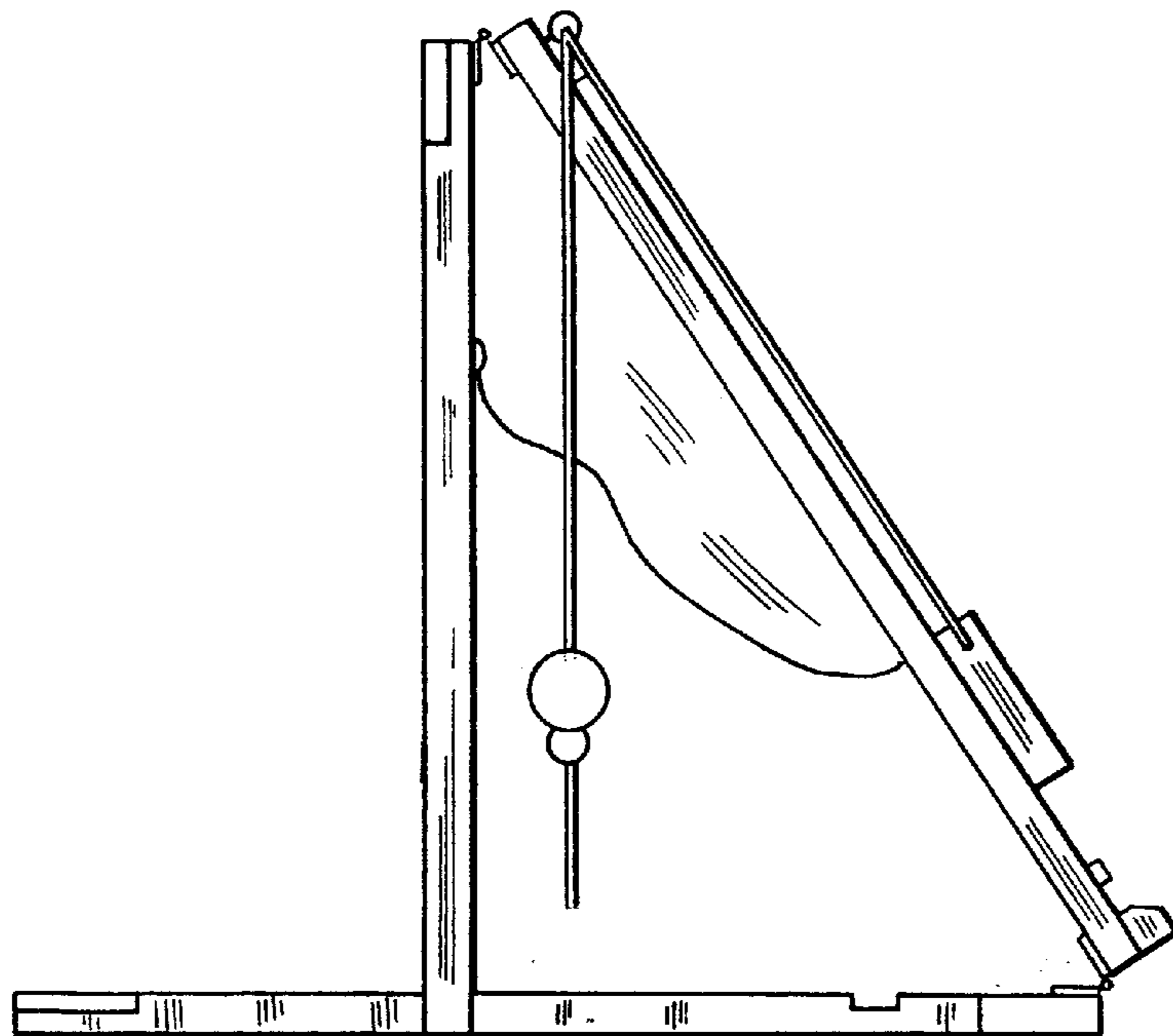


FIG. 8