



US00D438908S

(12) **United States Design Patent**
Najmi

(10) **Patent No.:** **US D438,908 S**

(45) **Date of Patent:** **** Mar. 13, 2001**

(54) **STETHOSCOPE IDENTIFICATION TAG**

D. 390,275 * 2/1998 Wolff D20/22

(75) Inventor: **Boman K Najmi**, Crofton, MD (US)

* cited by examiner

(73) Assignee: **BHS International, Inc.**, Crofton, MD (US)

Primary Examiner—Marcus A. Jackson

(74) *Attorney, Agent, or Firm*—Rabin & Champagne, P.C.

(**) Term: **14 Years**

(57) **CLAIM**

The ornamental design for a stethoscope identification tag, as shown and described.

(21) Appl. No.: **29/124,060**

(22) Filed: **May 30, 2000**

DESCRIPTION

(51) **LOC (7) Cl.** **19-08**

(52) **U.S. Cl.** **D20/28**

(58) **Field of Search** D20/10, 22, 23,
D20/27, 28; 40/1.5, 1.6, 124.1, 299, 312,
316, 318, 322, 325, 642

FIG. 1 is a front perspective view of a stethoscope identification tag showing my new design;

FIG. 2 is a front perspective view with name tag rotated;

FIG. 3 is a front perspective view with name tag separated;

FIG. 4 is a front view thereof;

FIG. 5 is a rear view thereof;

FIG. 6 is a top view thereof;

FIG. 7 is a bottom view thereof;

FIG. 8 is a left side view thereof; and,

FIG. 9 is a right side view thereof.

(56) **References Cited**

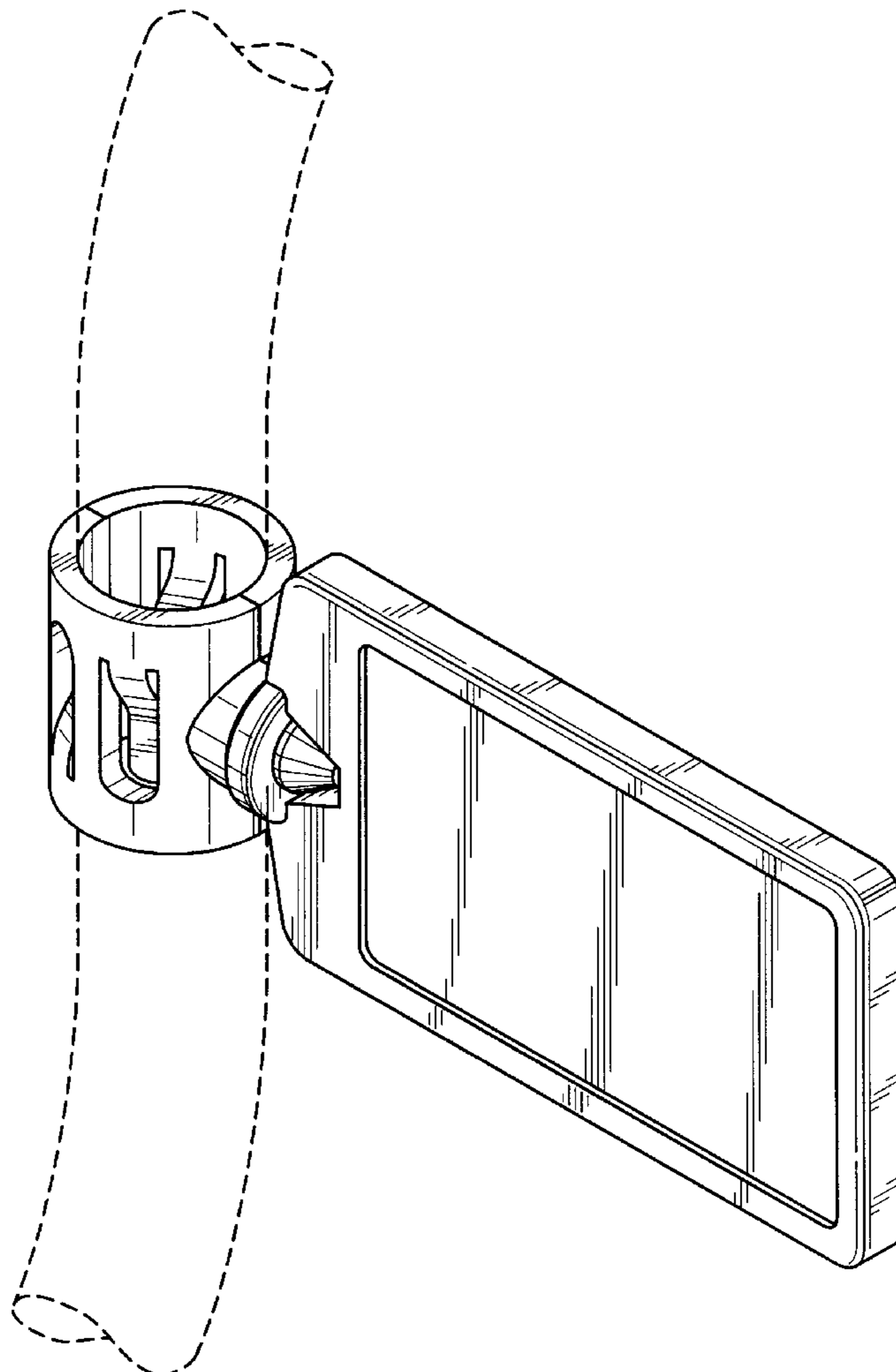
U.S. PATENT DOCUMENTS

D. 321,913 * 11/1991 Wolff D20/27

D. 325,400 * 4/1992 Wolff D20/22

D. 381,367 * 7/1997 Rashman D20/22

1 Claim, 5 Drawing Sheets



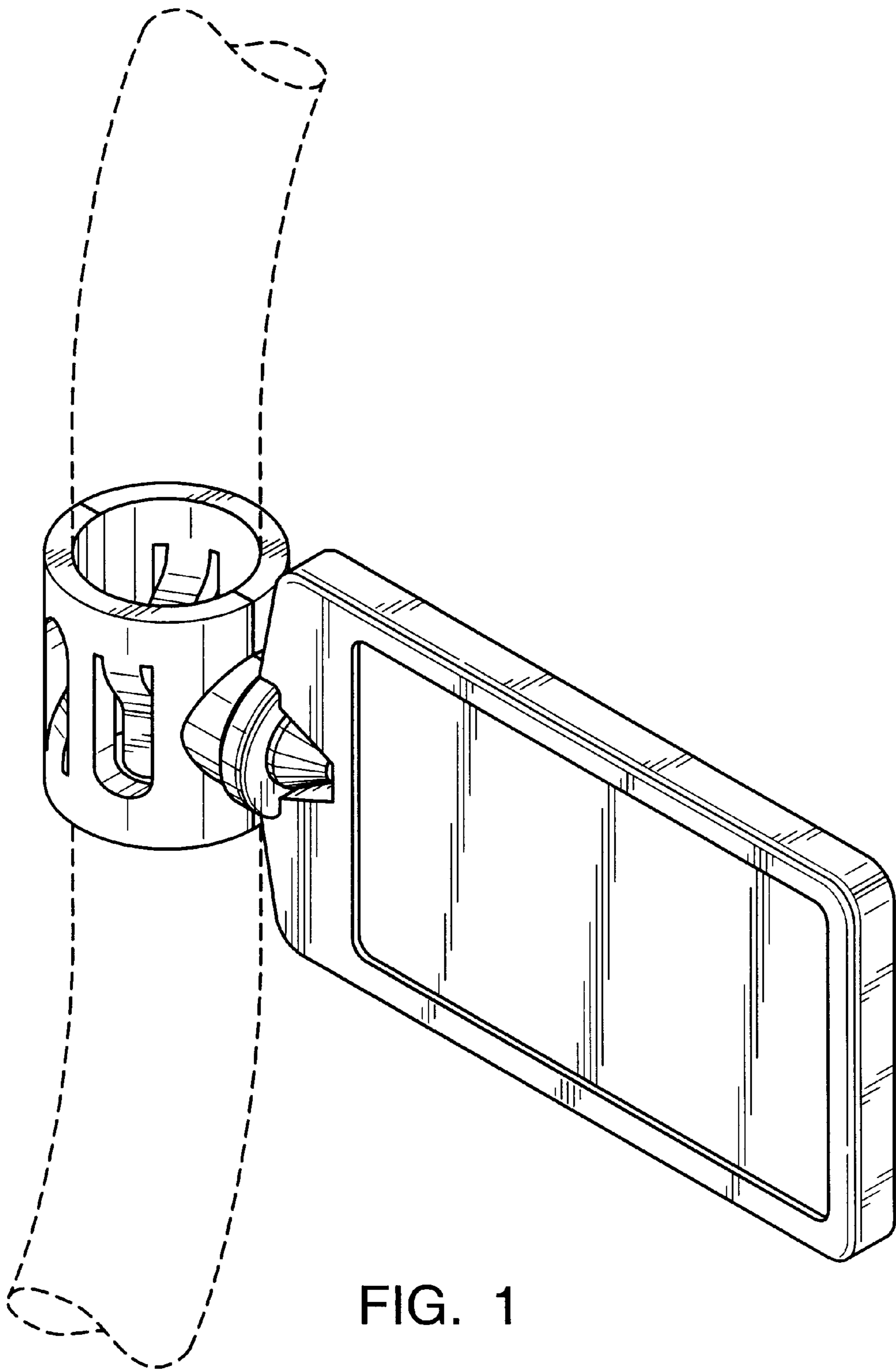


FIG. 1

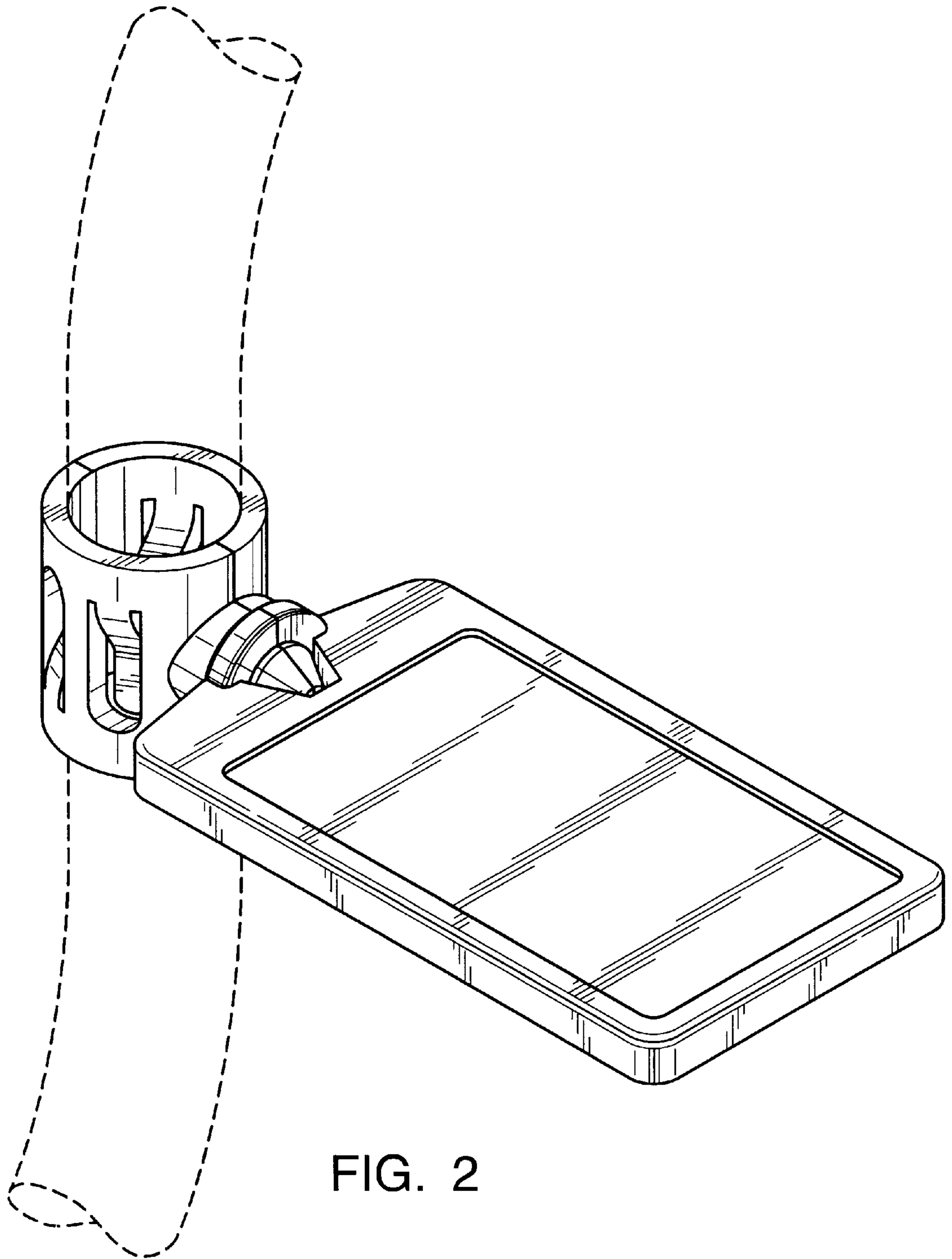


FIG. 2

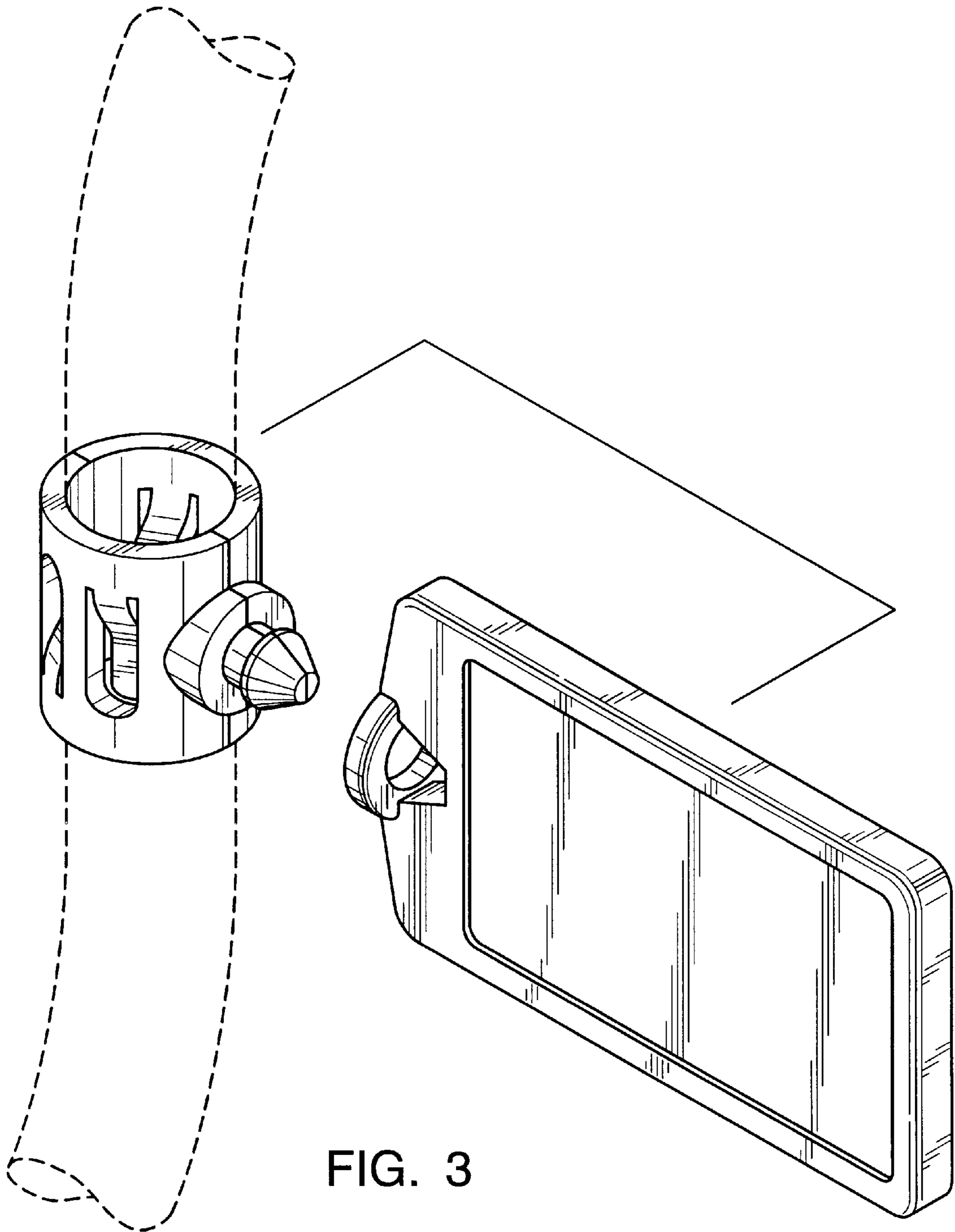


FIG. 3

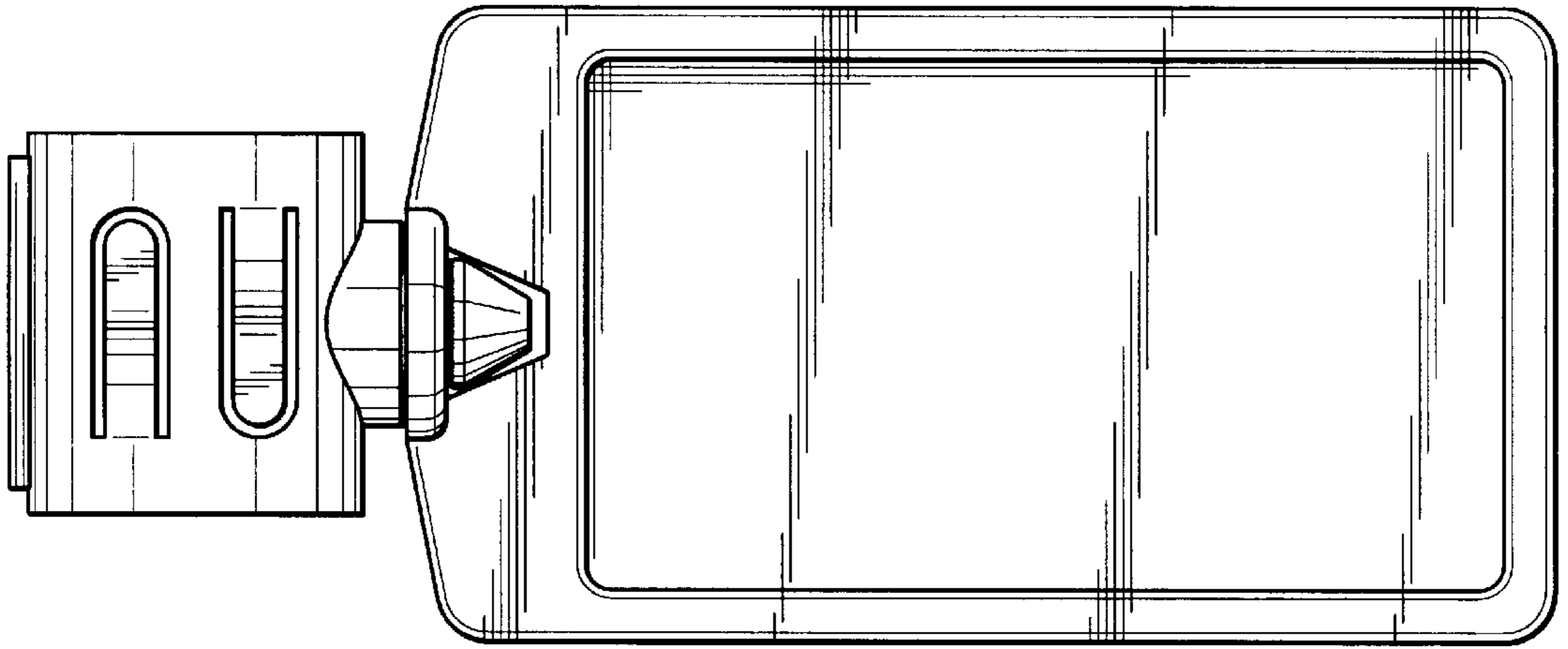


FIG. 4

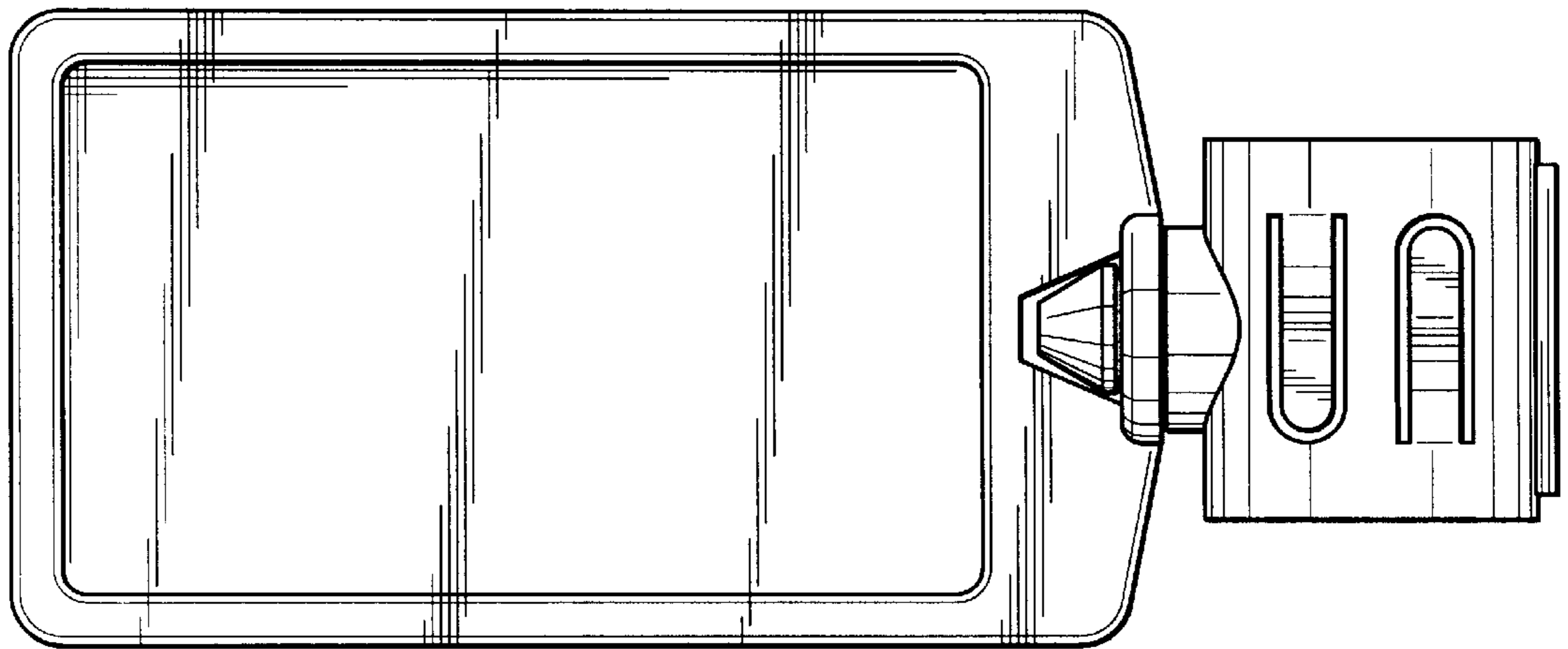


FIG. 5



FIG. 6

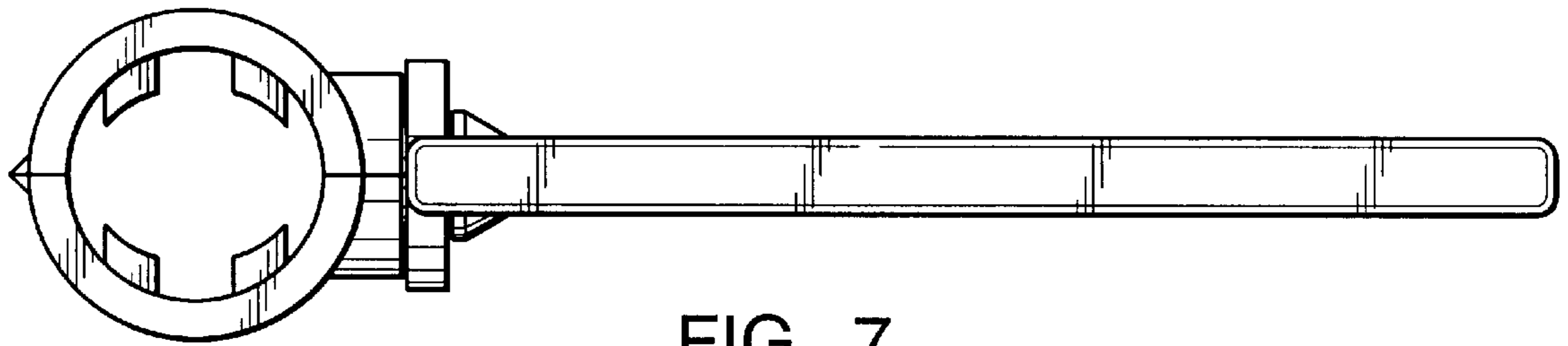


FIG. 7

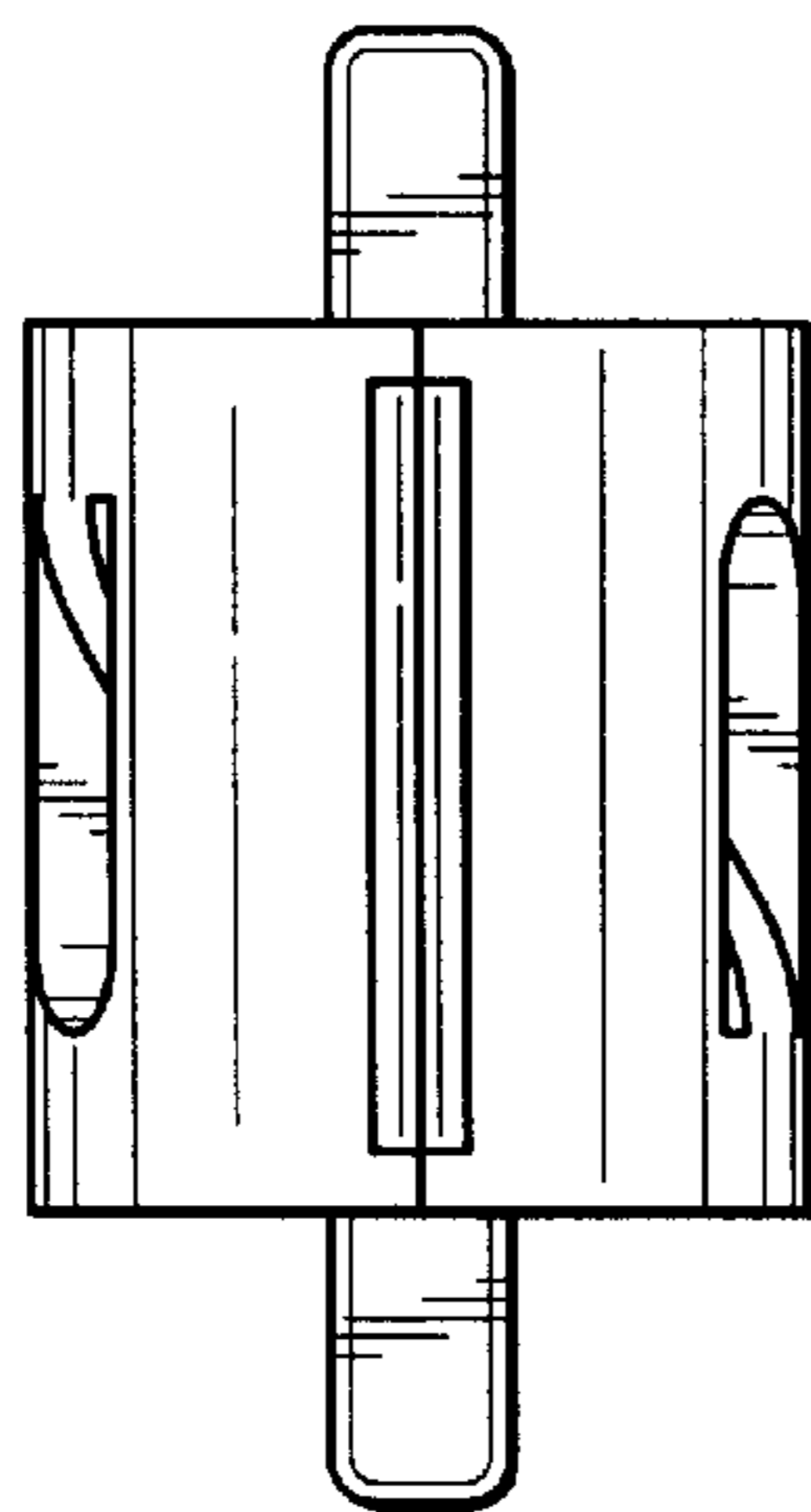


FIG. 8

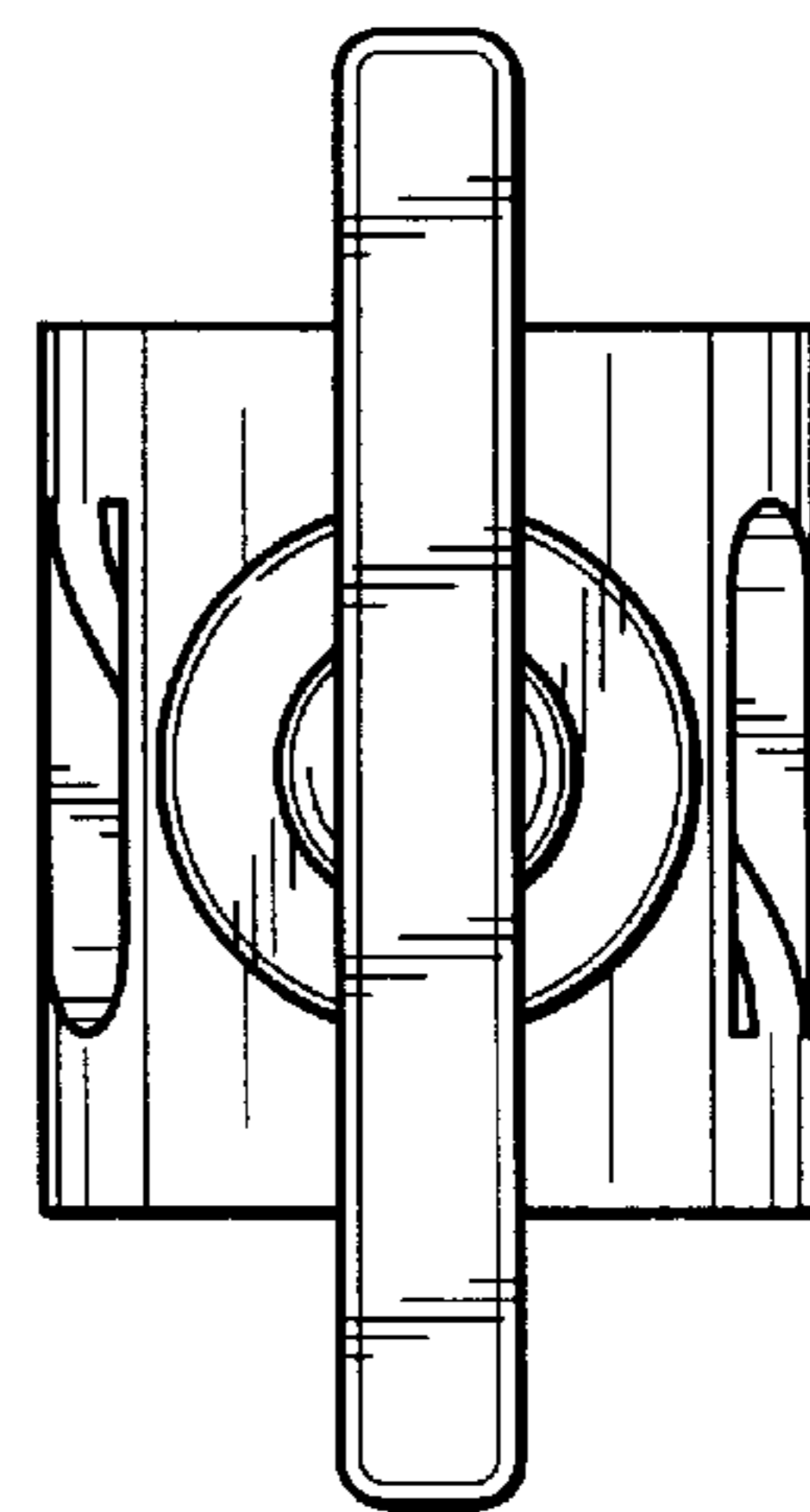


FIG. 9