



US00D438906S

(12) **United States Design Patent**
Ritchey

(10) **Patent No.:** **US D438,906 S**

(45) **Date of Patent:** **** Mar. 13, 2001**

(54) **BUSINESS CARD DISPLAY HOLDER**

(76) **Inventor:** **Michael Paul Ritchey**, 908 Maple Ave., Torrance, CA (US) 90503

(**) **Term:** **14 Years**

(21) **Appl. No.:** **29/120,045**

(22) **Filed:** **Mar. 13, 2000**

(51) **LOC (7) Cl.** **19-02**

(52) **U.S. Cl.** **D19/90; D19/82; D19/97**

(58) **Field of Search** D19/65, 75, 78, D19/81-85, 86, 90, 91, 95, 99, 100; D20/10, 17, 19, 40-43, 99; 40/606, 607, 610, 611, 612; 206/457; 211/10, 11, 50

(56) **References Cited**

U.S. PATENT DOCUMENTS

- D. 275,967 * 10/1984 Morano, Jr. D19/75
- D. 317,624 * 6/1991 Jurinjak D19/42
- D. 328,922 * 8/1992 Tu D19/96
- D. 410,253 * 5/1999 Gagnon D20/41

- D. 425,561 * 5/2000 Glasgow D19/82
- 5,230,176 * 7/1993 Schomaker 40/607
- 5,400,535 * 3/1995 Schomaker 40/607
- 5,903,991 * 5/1999 Sasse 40/607

* cited by examiner

Primary Examiner—Martie K. Holtje

(74) *Attorney, Agent, or Firm*—Chris Papageorge

(57) **CLAIM**

The ornamental design for a business card display holder, as shown and described.

DESCRIPTION

FIG. 1 is a top front perspective view of a business card holder showing my new design.

FIG. 2 is a front elevational view thereof.

FIG. 3 is a back elevational view thereof.

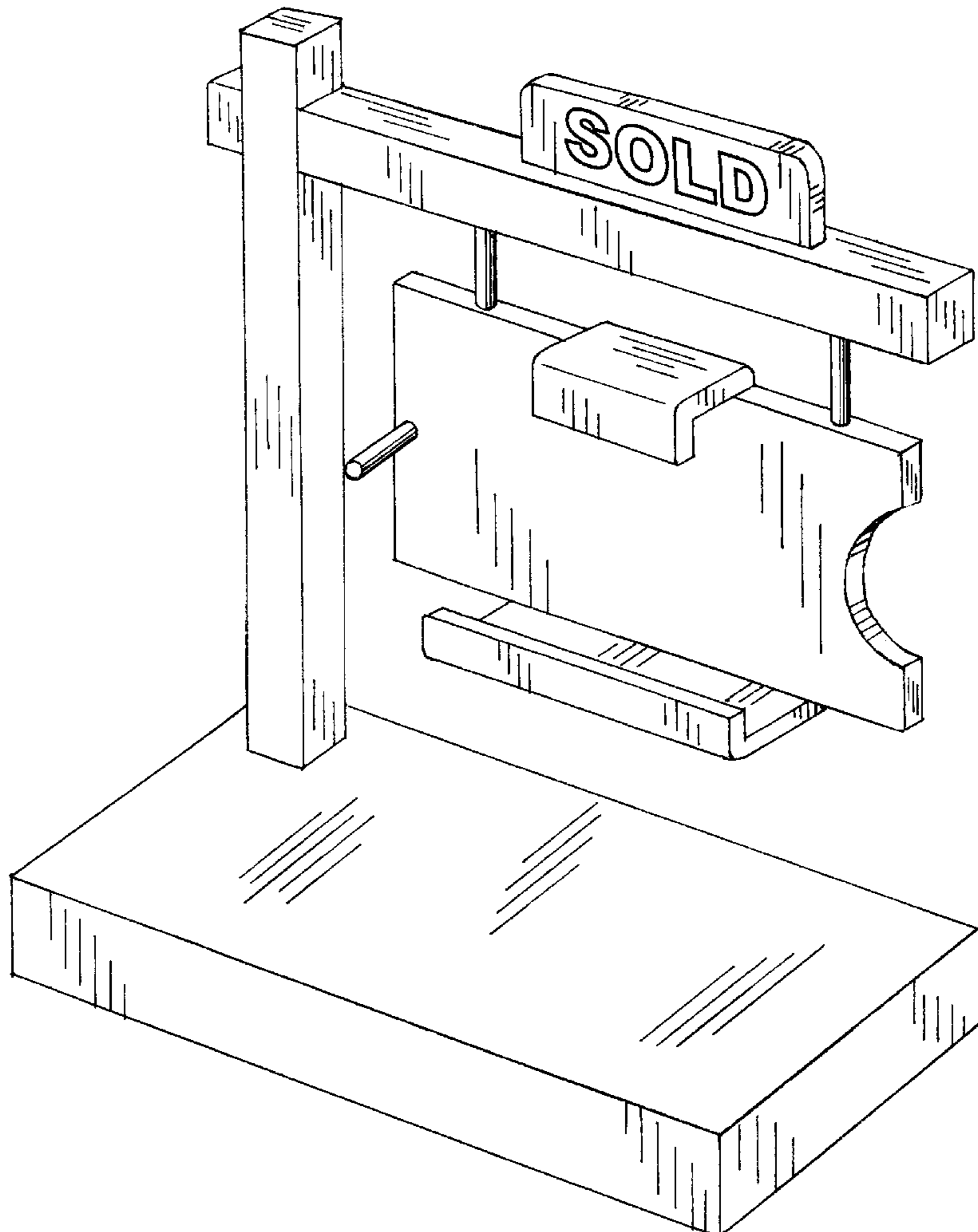
FIG. 4 is a left side elevational view thereof.

FIG. 5 is a right side elevational view thereof.

FIG. 6 is a top plan view thereof; and,

FIG. 7 is a bottom plan view thereof.

1 Claim, 6 Drawing Sheets



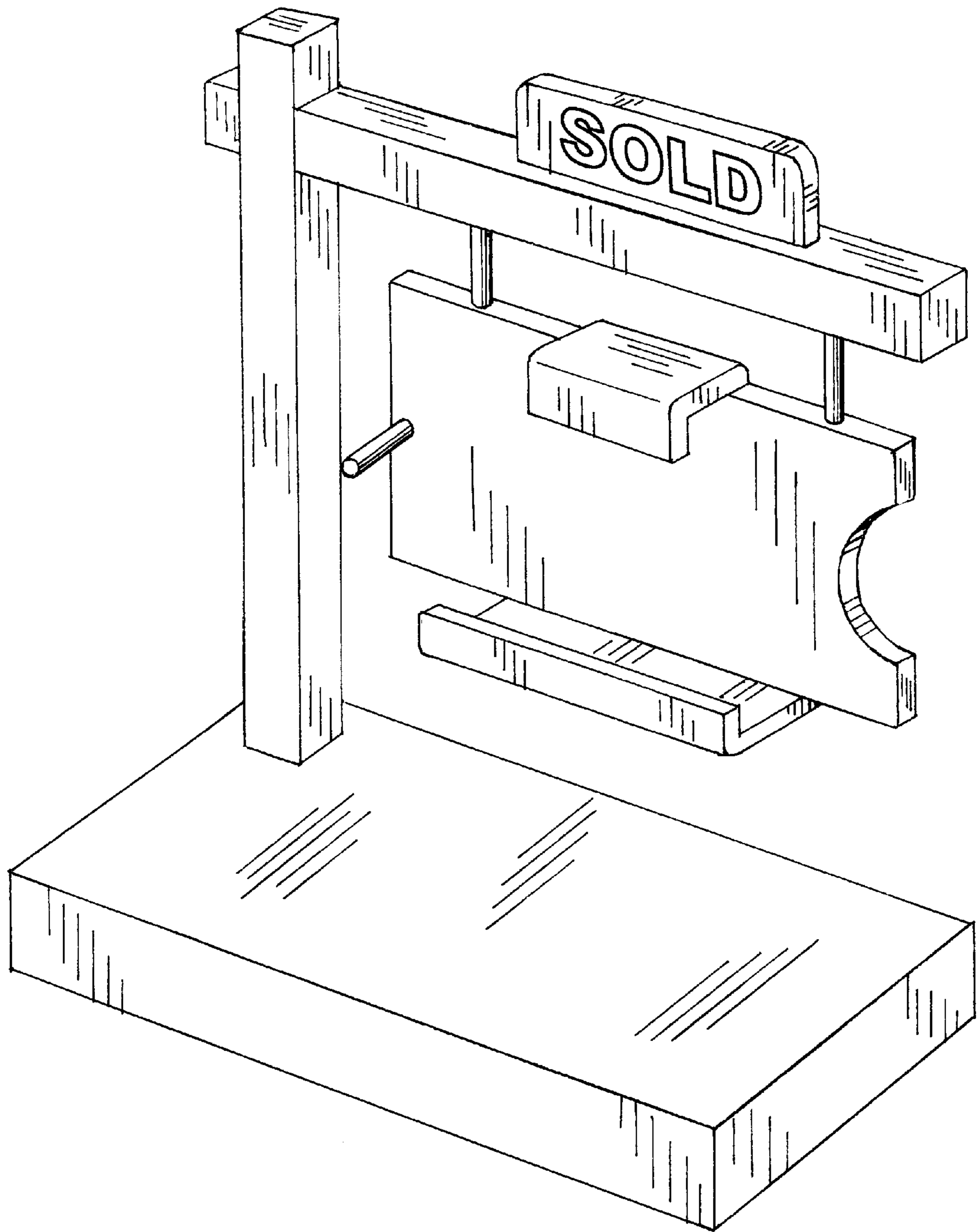


FIG.1

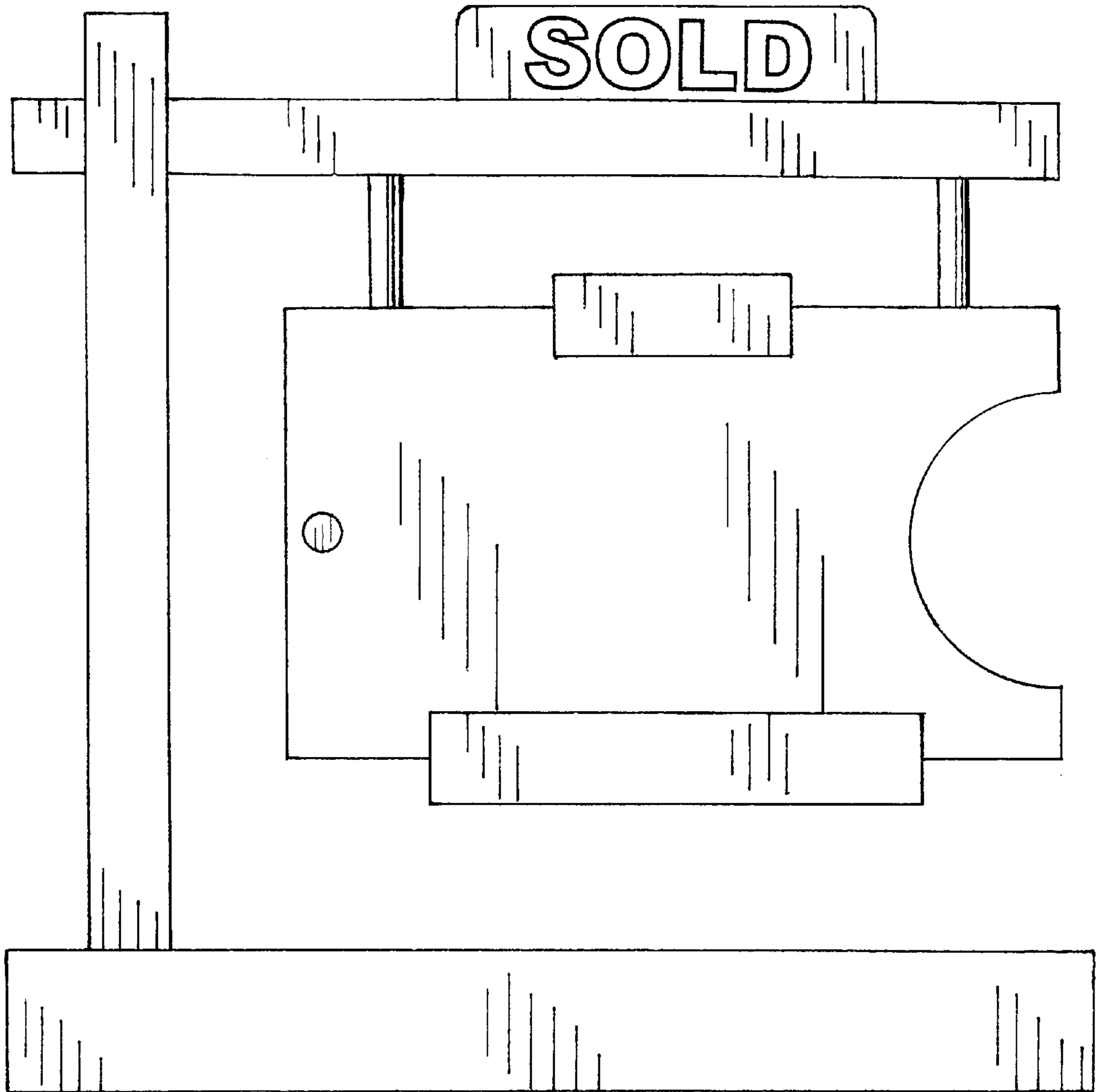


FIG. 2

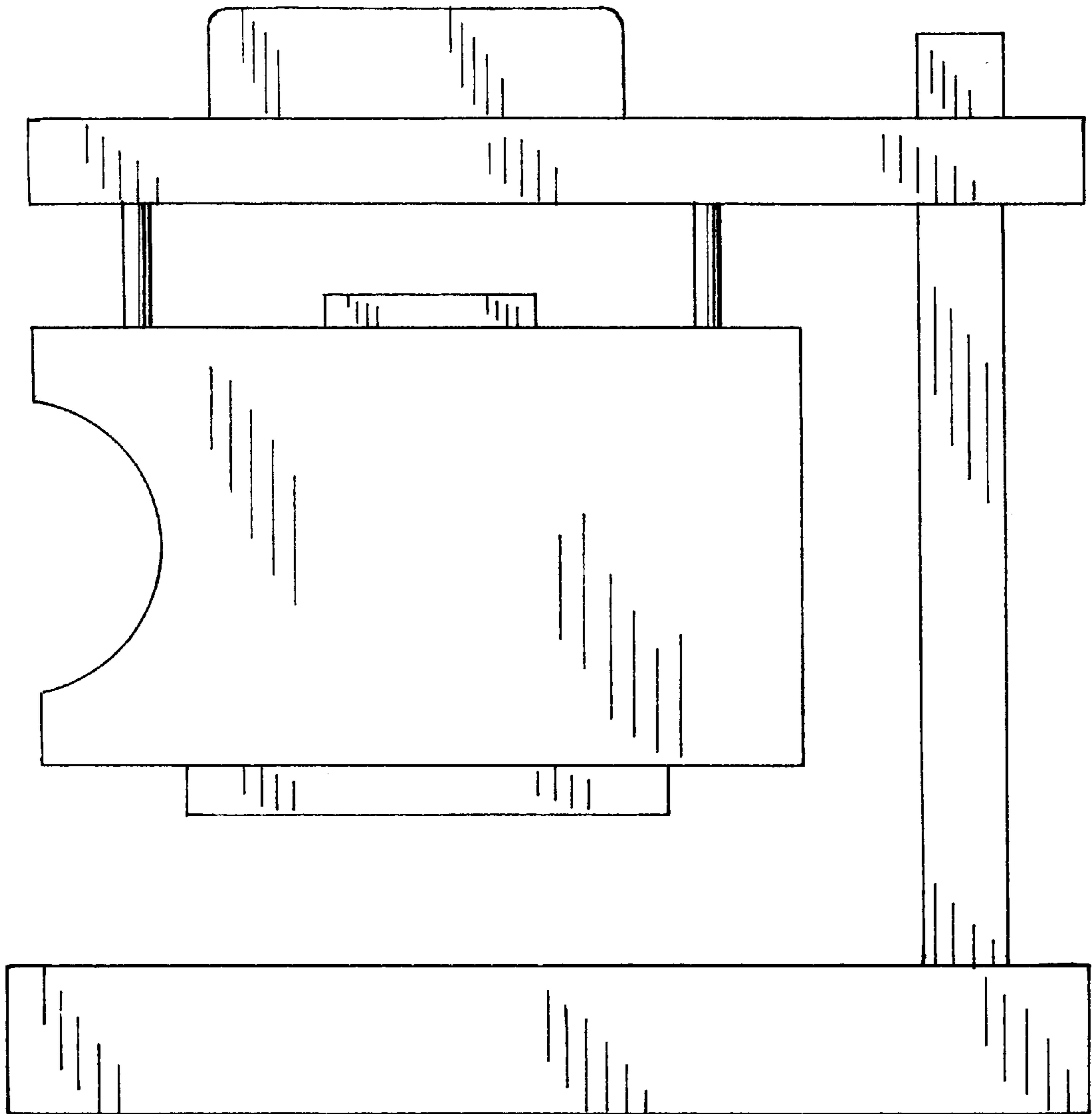


FIG. 3

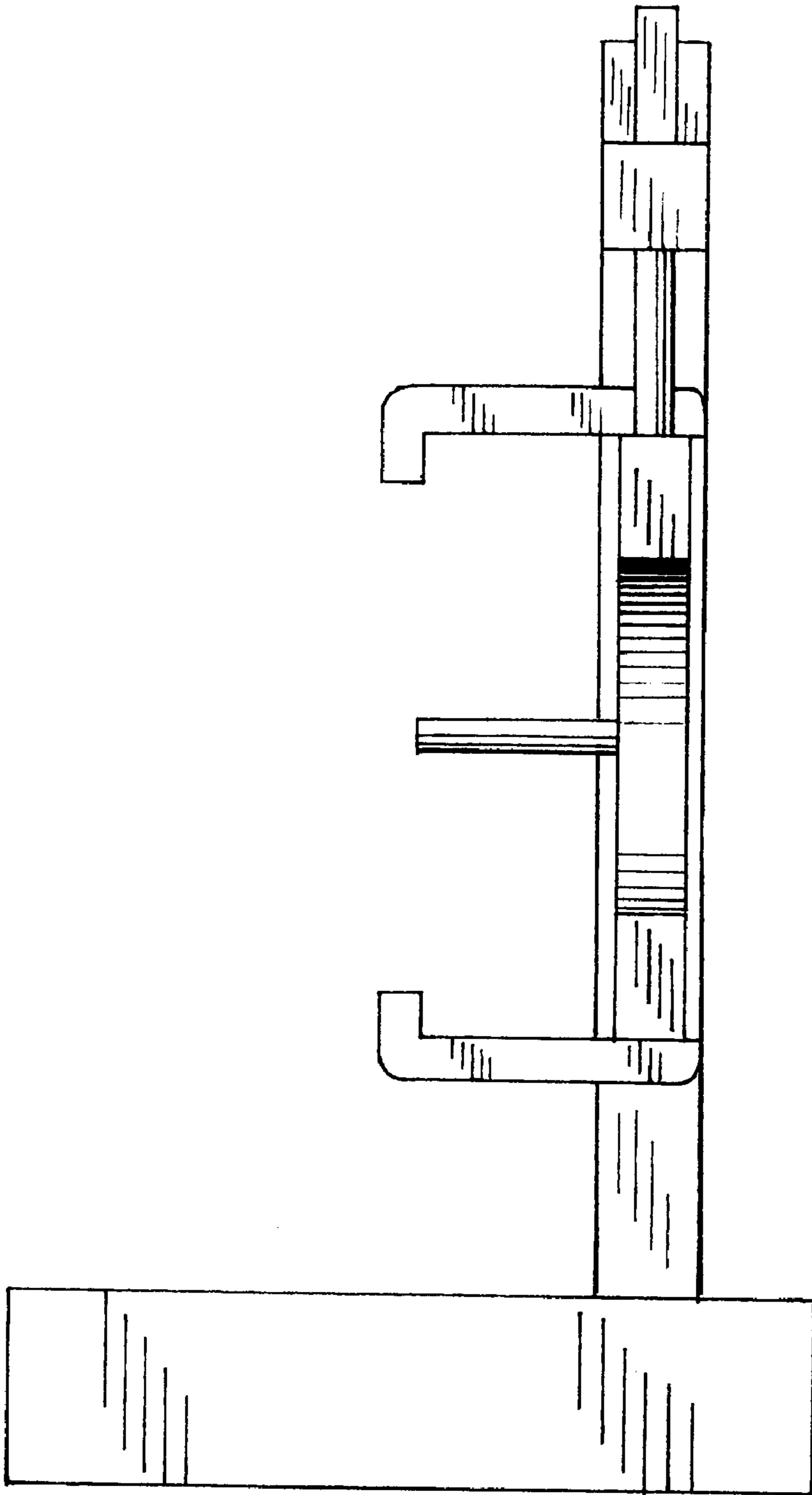


FIG. 4

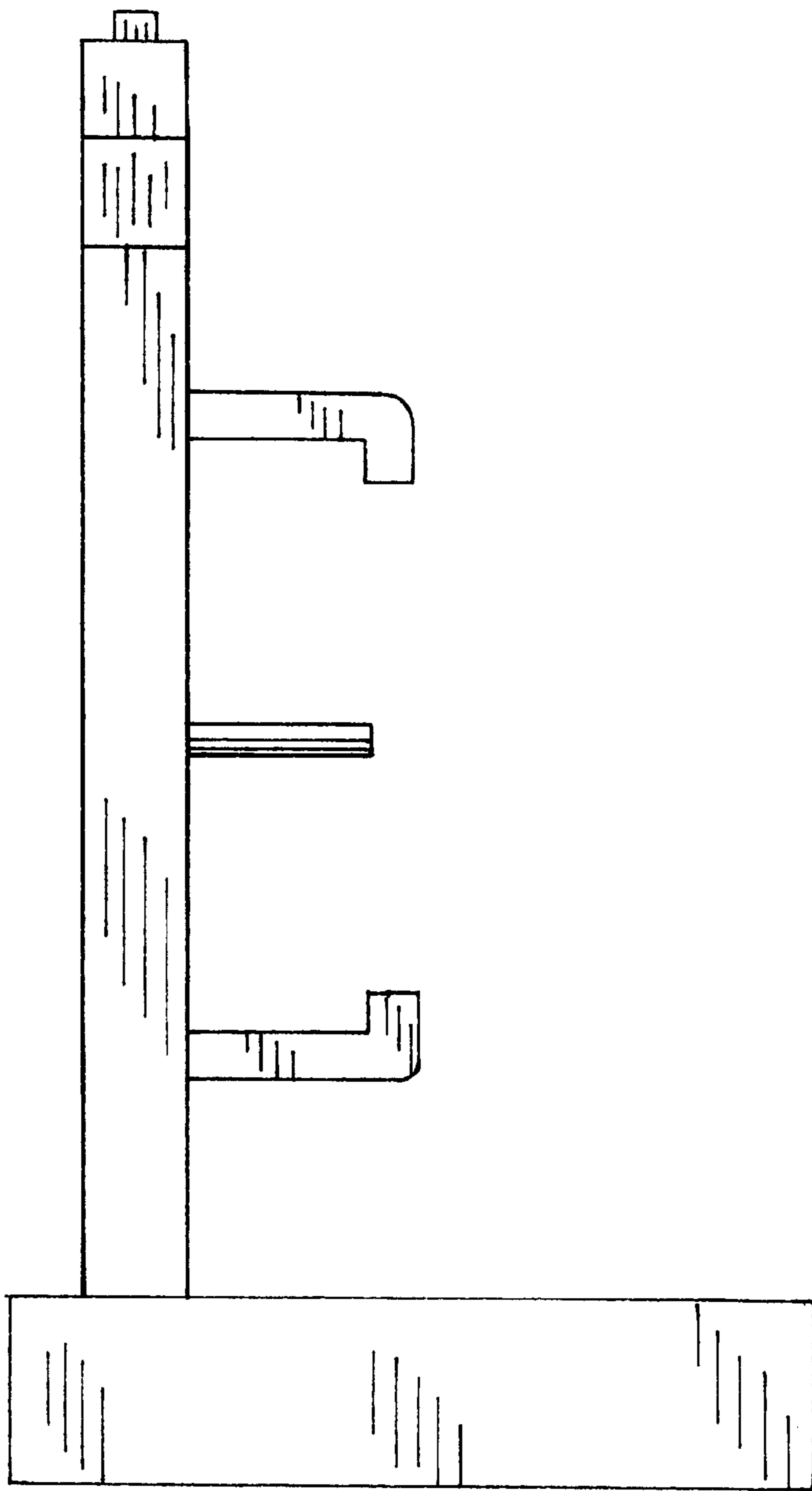


FIG. 5

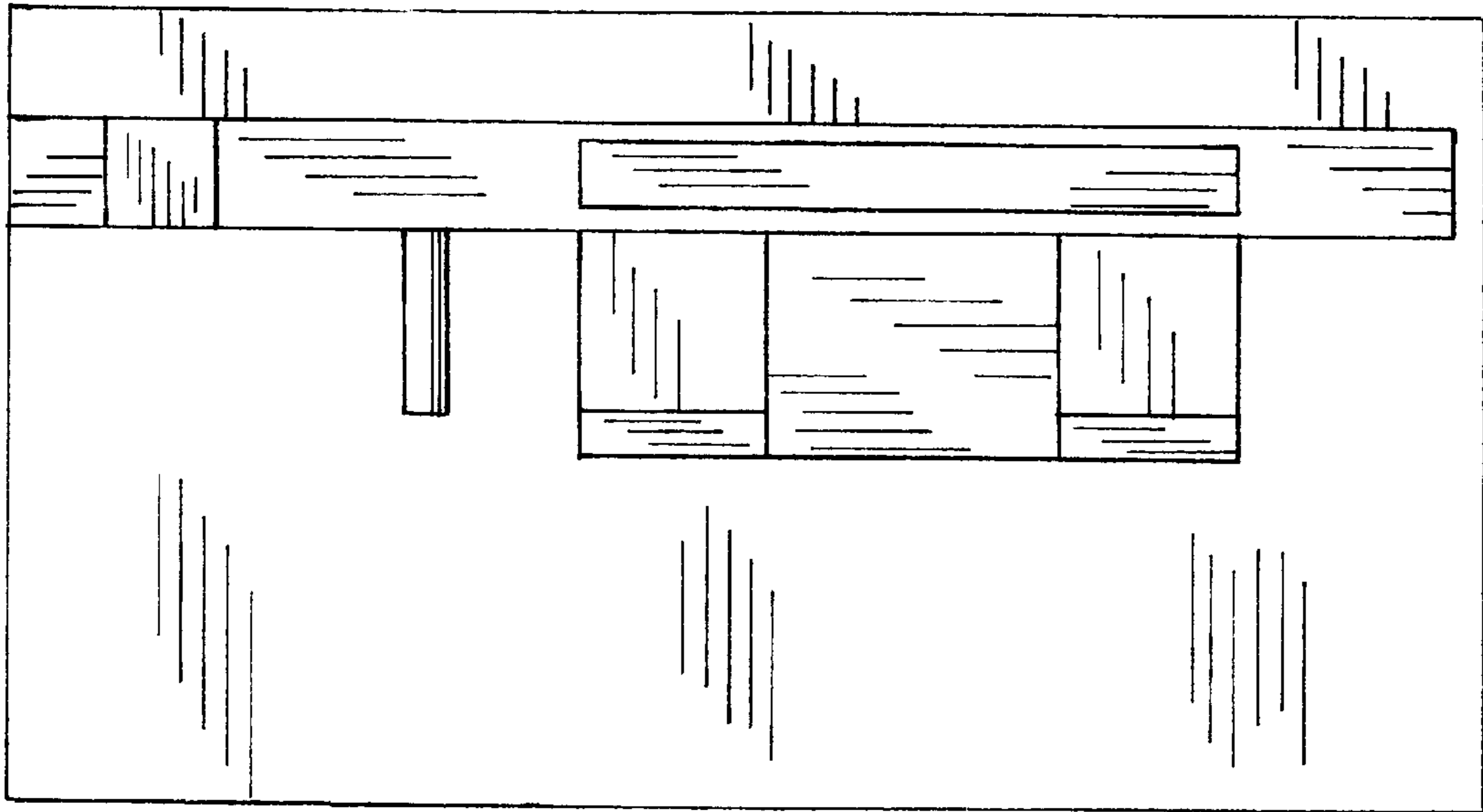


FIG. 6

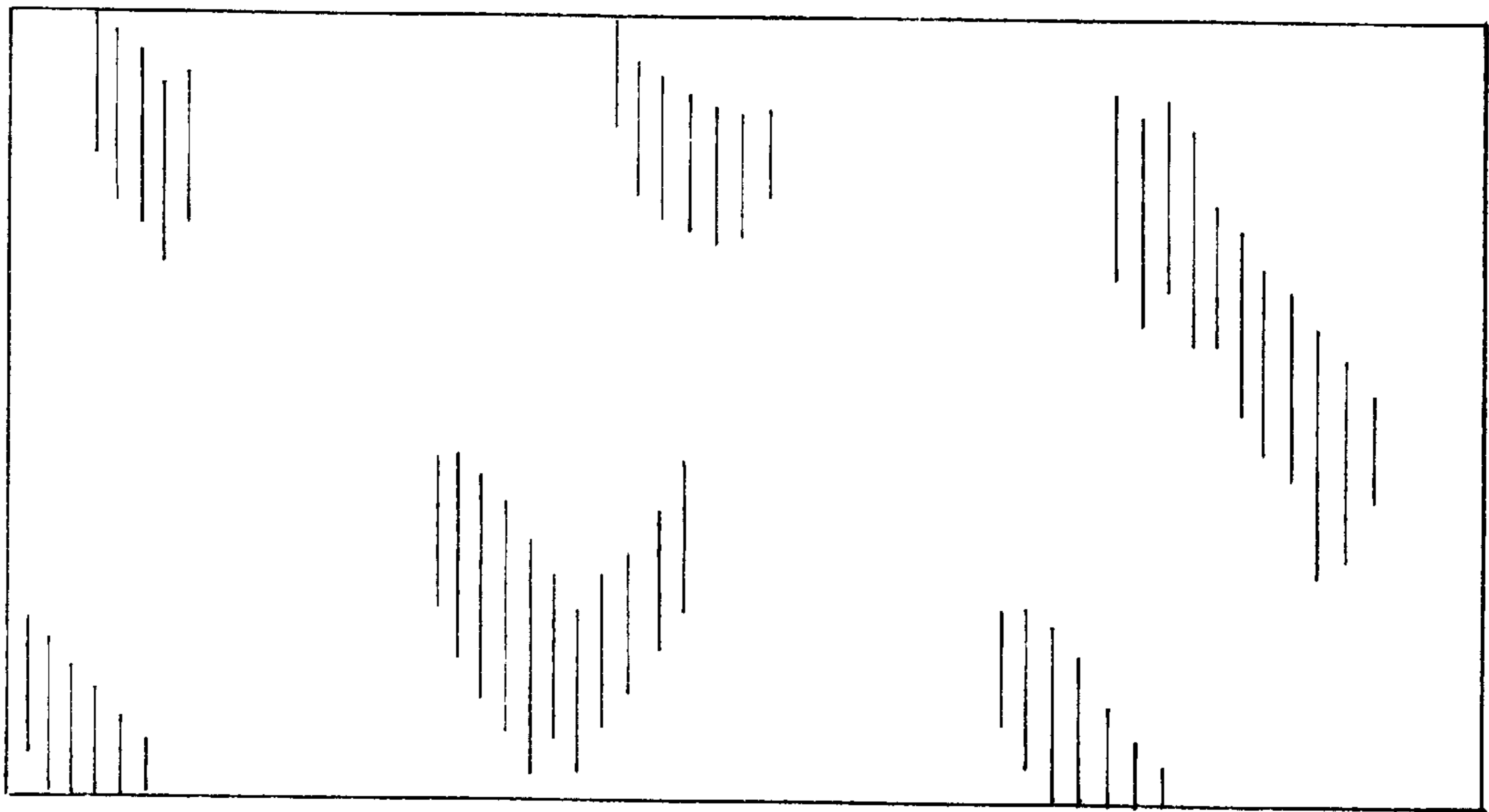


FIG. 7