



US00D438905S

(12) **United States Design Patent**
Cobb et al.

(10) **Patent No.:** **US D438,905 S**

(45) **Date of Patent:** **** Mar. 13, 2001**

(54) **COMBINED WIRE STAND AND CARD**

(76) Inventors: **Delwin E. Cobb; Myra C. Cobb**, both
of 2323 Parana Dr., Houston, TX (US)
77080

(**) Term: **14 Years**

(21) Appl. No.: **29/118,392**

(22) Filed: **Feb. 8, 2000**

(51) **LOC (7) Cl.** **19-02**

(52) **U.S. Cl.** **D19/90; D20/43**

(58) **Field of Search** D20/40, 43, 99;
D19/65, 75, 78, 86, 90, 91, 99, 100; 248/451,
453, 465.1; 24/67 R, 67.1-67.11, 545, 546,
550; 40/658, 659

(56) **References Cited**

U.S. PATENT DOCUMENTS

- D. 26,320 * 11/1896 Arkin D19/90
- D. 32,692 * 5/1900 Muth D20/43
- D. 404,072 * 1/1999 Ford et al. D19/86

- D. 404,074 1/1999 Sarriguarte et al. .
- 1,273,721 * 7/1918 Benway 40/659
- 1,756,885 * 4/1930 Schafer 40/659
- 1,854,740 * 4/1932 Hoag 40/659
- 3,474,555 10/1969 McCaffrey .

* cited by examiner

Primary Examiner—Martie K. Holtje

(74) *Attorney, Agent, or Firm*—Browning Bushman

(57) **CLAIM**

The ornamental design for a combined wire stand and card,
as shown and described.

DESCRIPTION

FIG. 1 is a front elevational view of a combined wire stand and card showing our new design;
FIG. 2 is a rear elevational view thereof;
FIG. 3 is a right side elevational view;
FIG. 4 is a left side elevational view;
FIG. 5 is a top plan view; and,
FIG. 6 is a bottom plan view thereof.

1 Claim, 1 Drawing Sheet

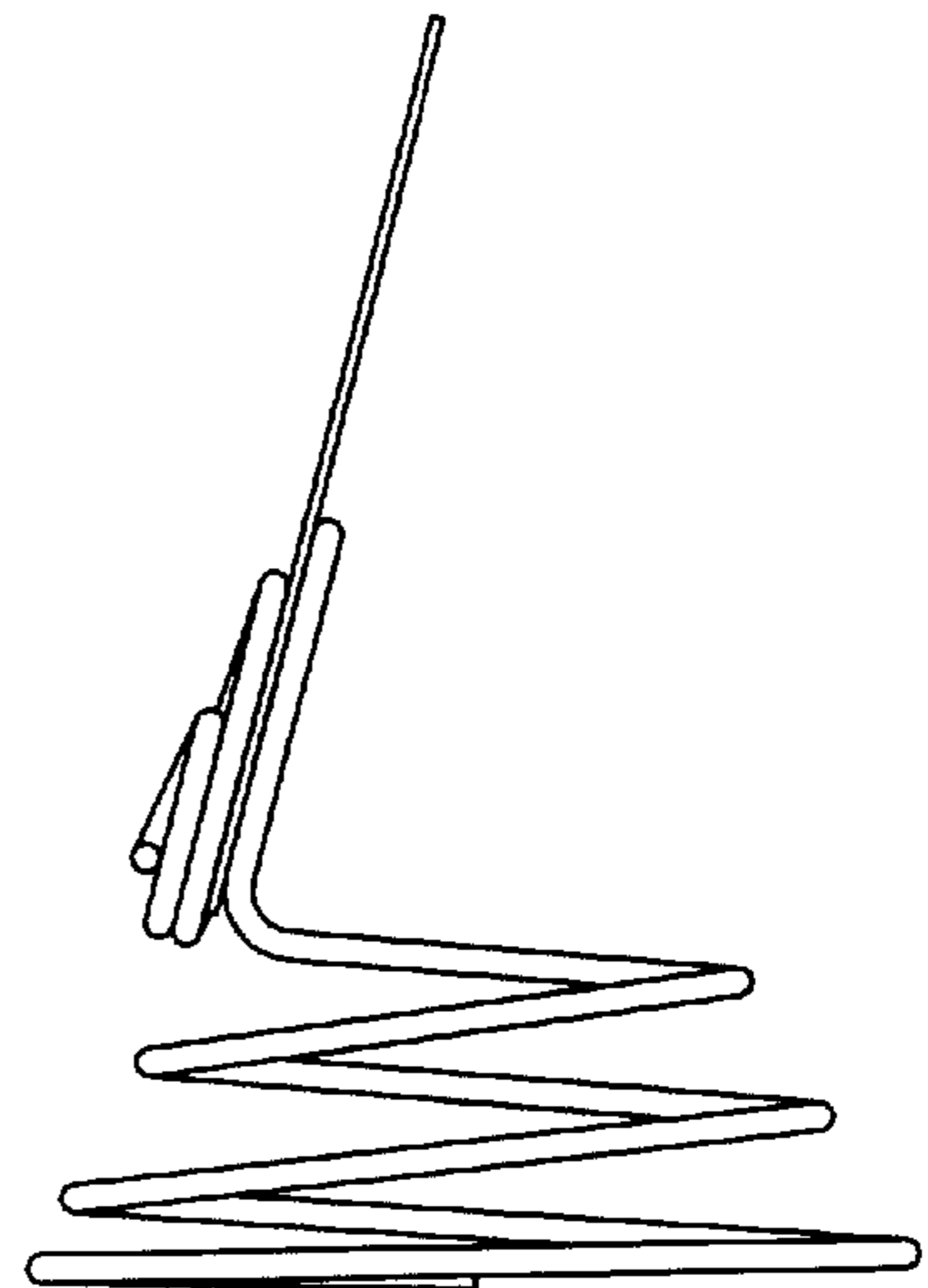
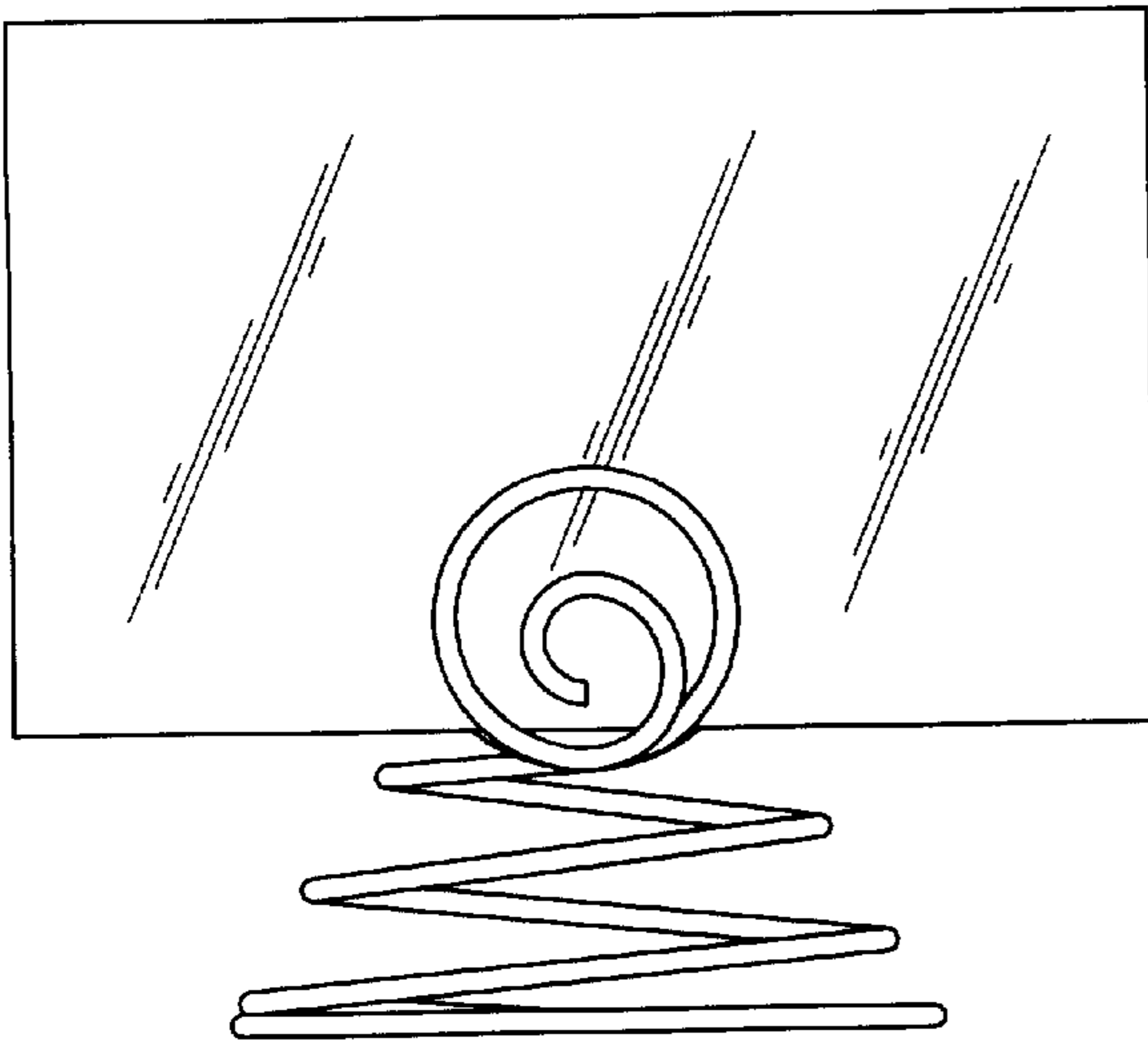


Fig. 1

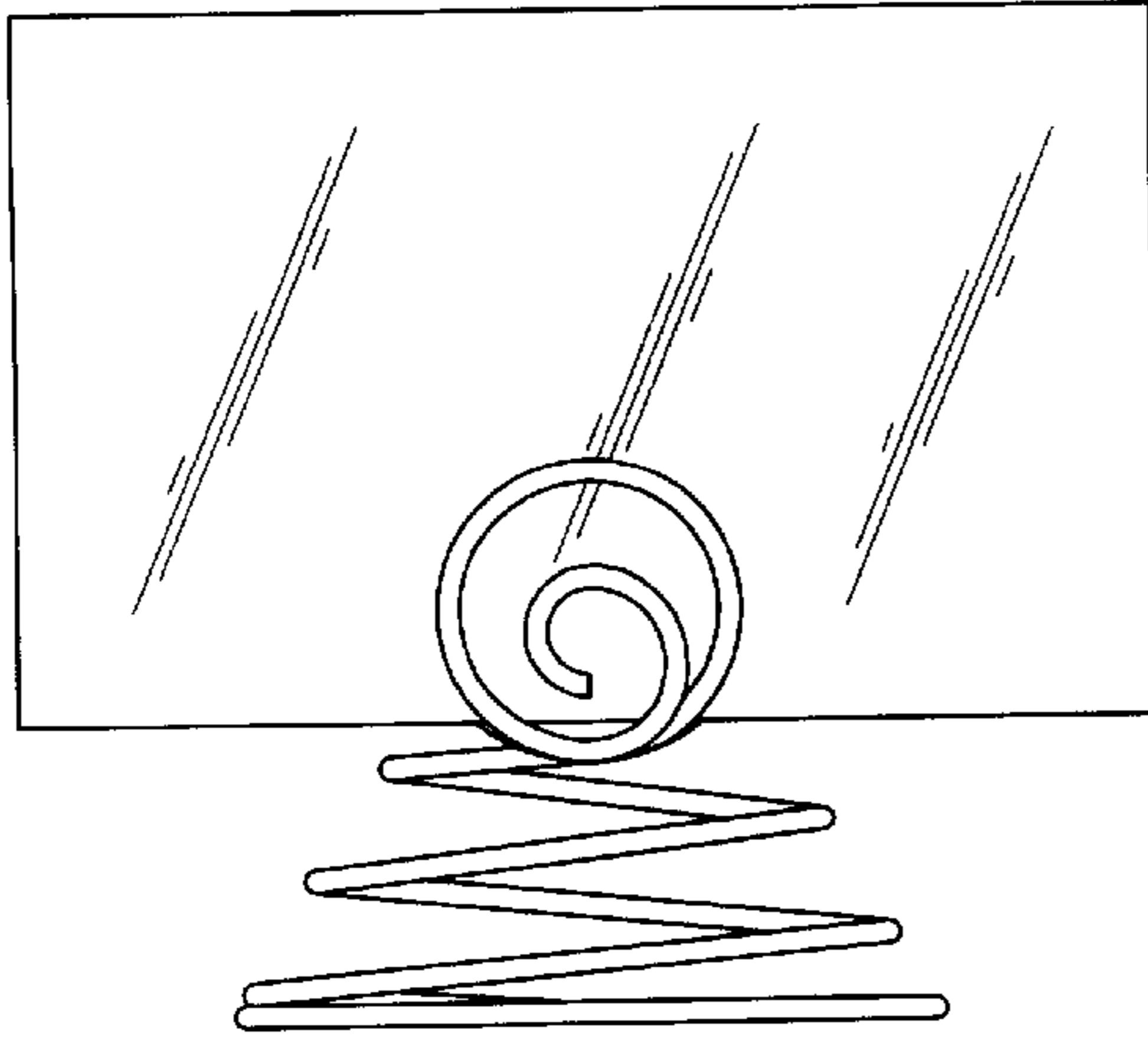


Fig. 2

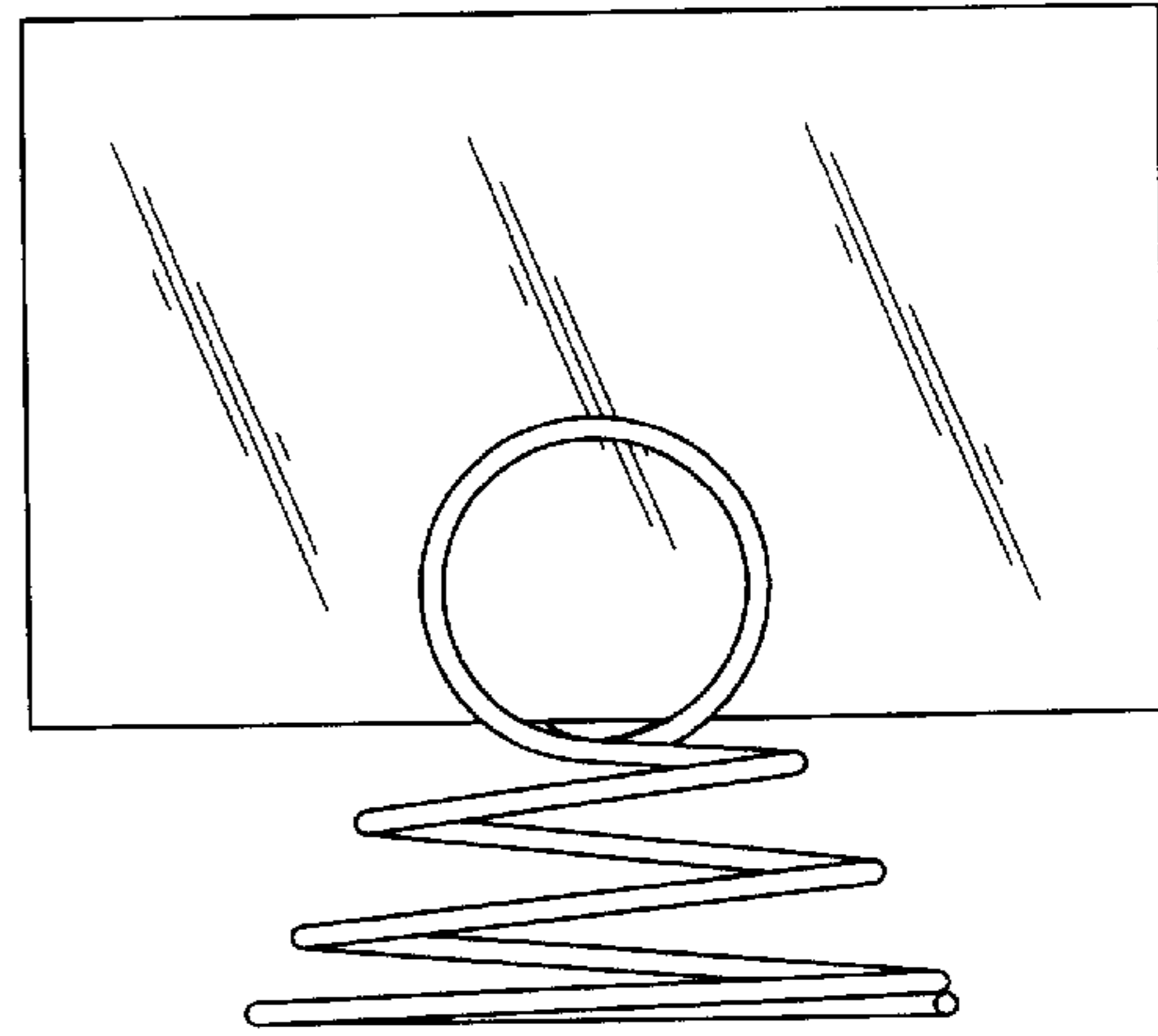


Fig. 3

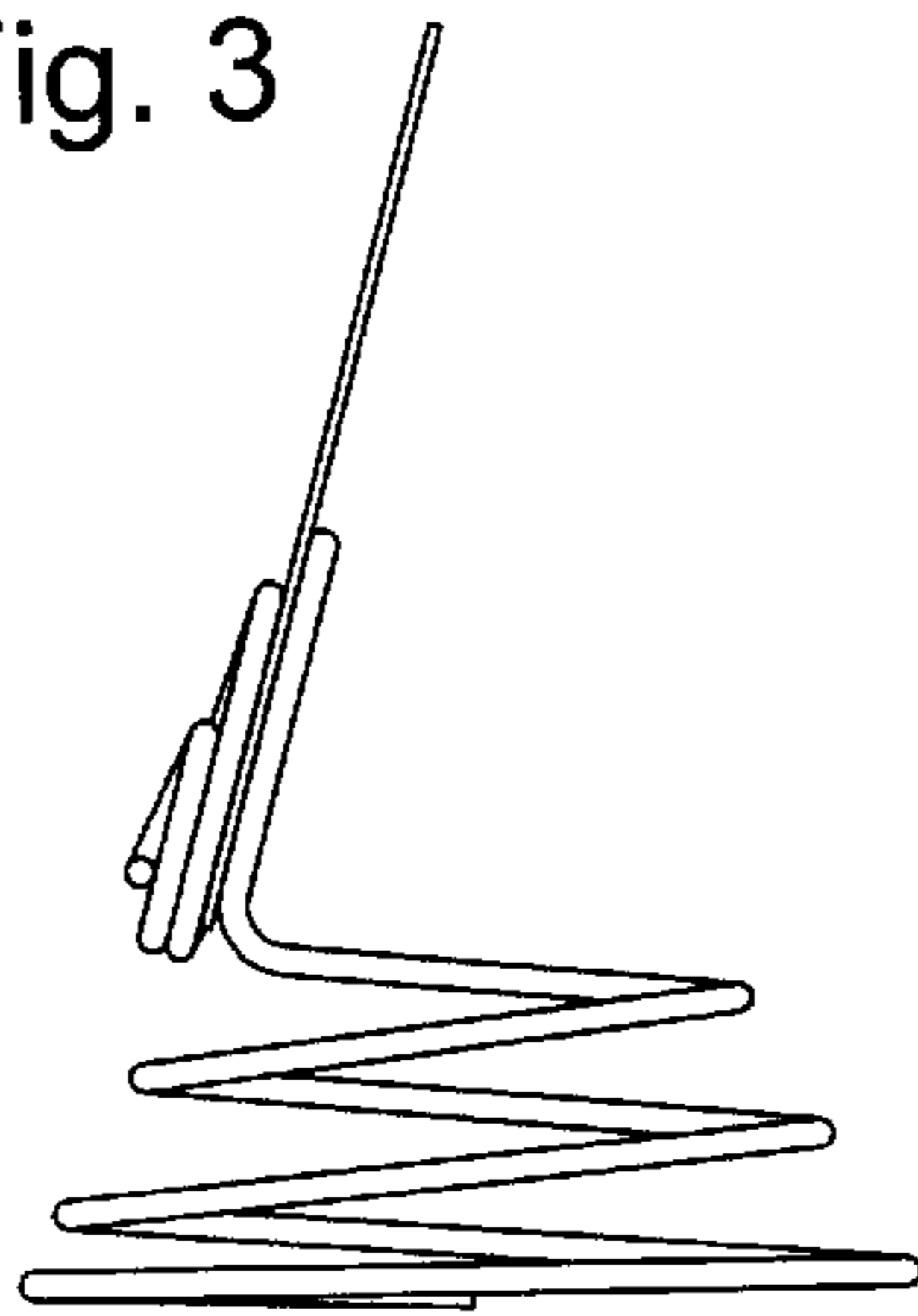


Fig. 4

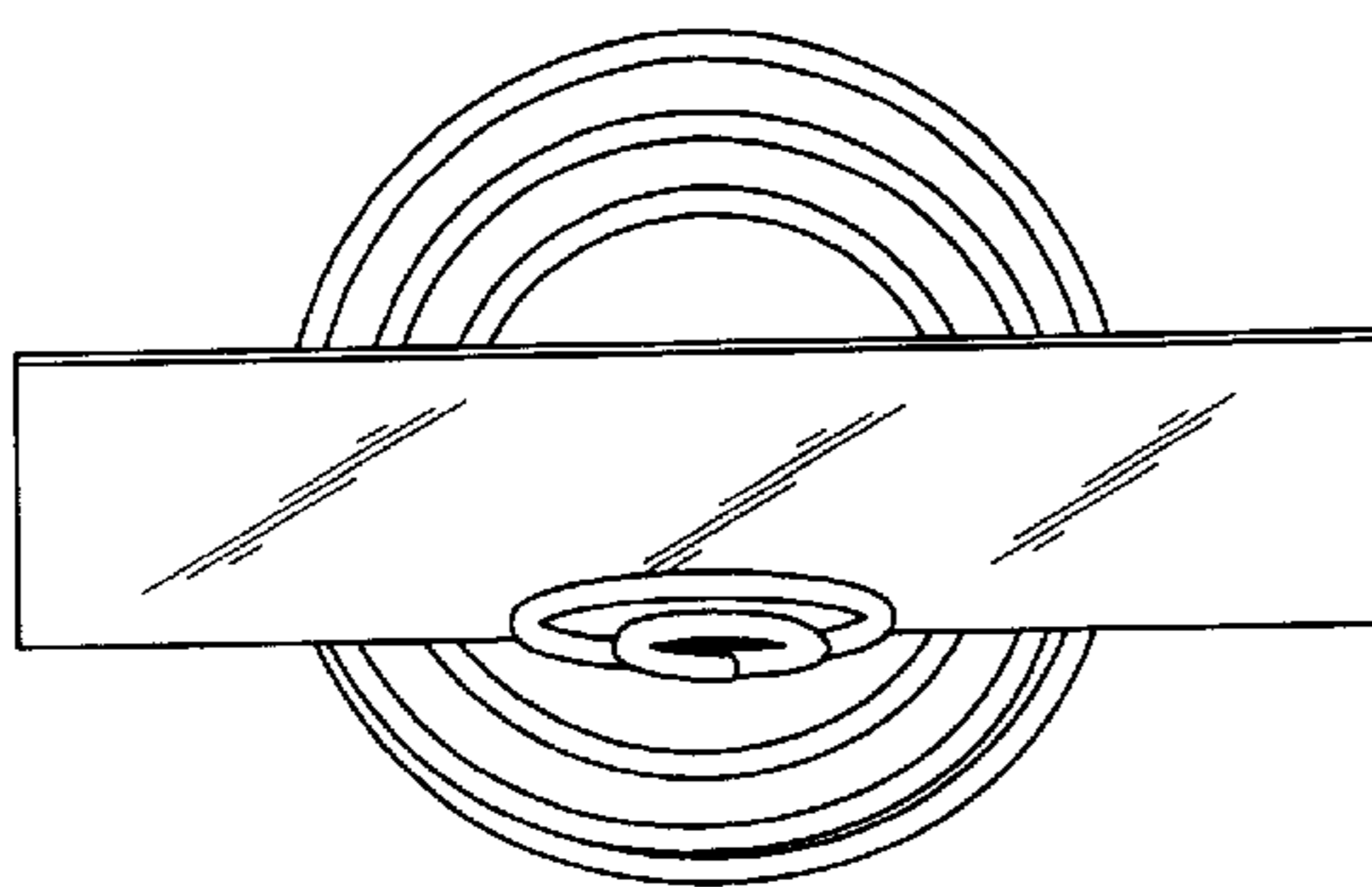
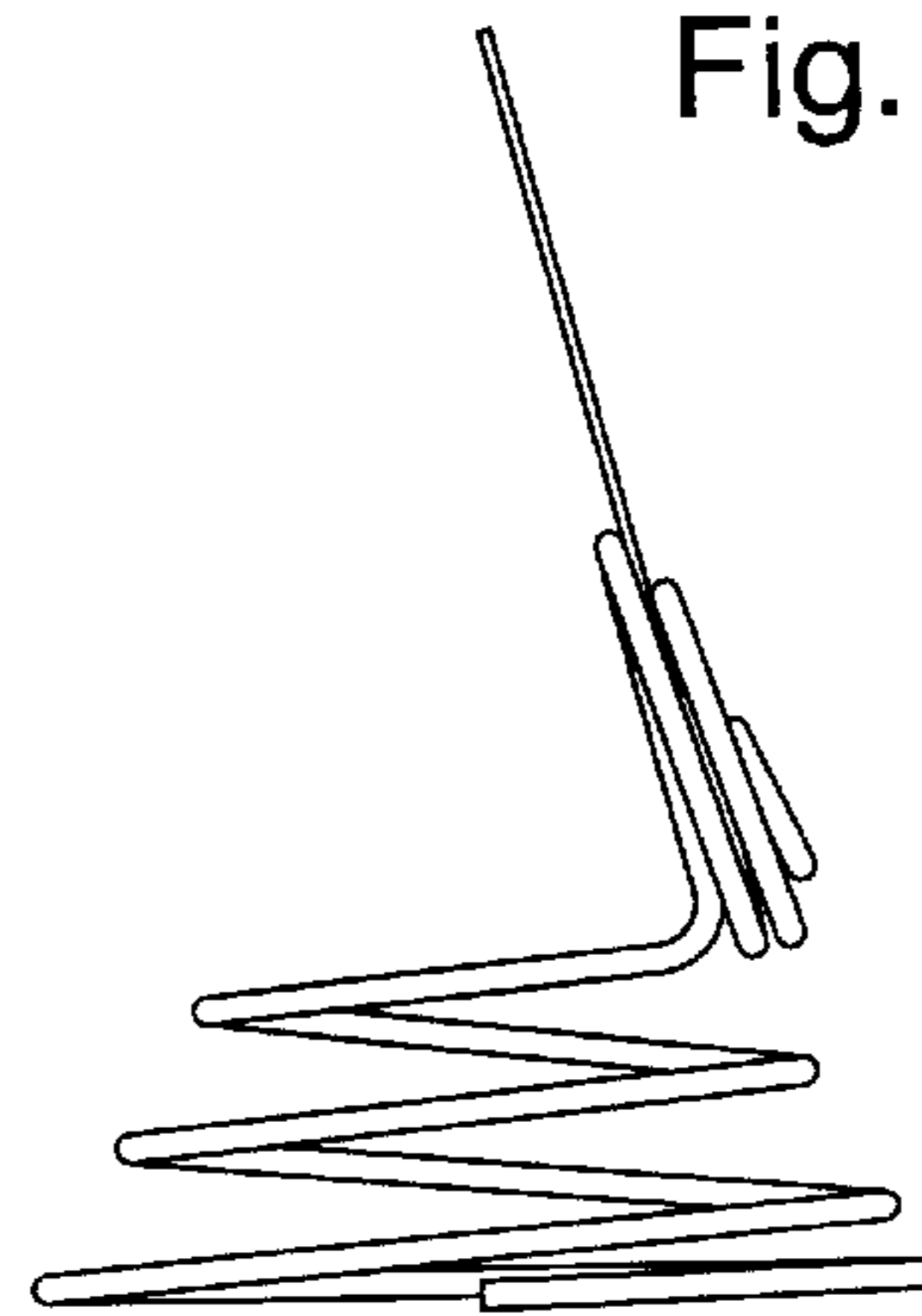


Fig. 5

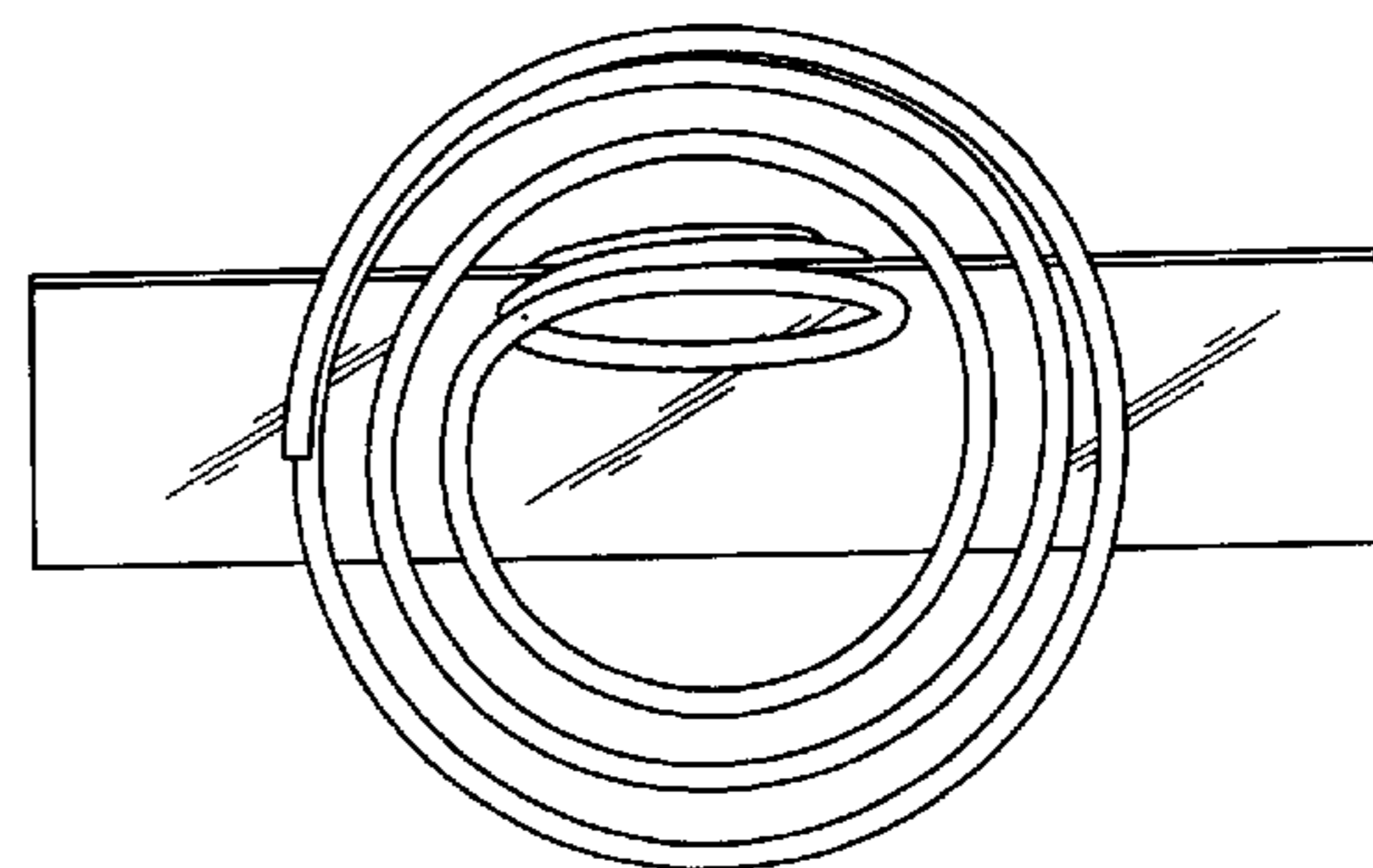


Fig. 6