



US00D438904S

(12) **United States Design Patent**  
**Reynolds**

(10) **Patent No.:** **US D438,904 S**

(45) **Date of Patent:** **\*\* Mar. 13, 2001**

(54) **FOLDER**

(76) Inventor: **Tory Richard Reynolds**, 1736 Bluebird La., Mound, MN (US) 55364

(\*\*) Term: **14 Years**

(21) Appl. No.: **29/104,059**

(22) Filed: **Apr. 27, 1999**

(51) **LOC (7) Cl.** ..... **19-02**

(52) **U.S. Cl.** ..... **D19/90; D19/75; D19/86; D19/91; D3/303**

(58) **Field of Search** ..... D19/26, 27, 32, D19/33, 65, 75, 78, 86, 90, 91, 99, 100; D3/303, 900; 281/28, 45; 493/917, 220, 918, 947; 312/184; 229/67.1, 68.1, 67.3, 67.2, 67.4, 70-72, 928, 929

(56) **References Cited**

**U.S. PATENT DOCUMENTS**

D. 391,990	*	3/1998	Wolff	.....	D19/78
D. 405,832	*	2/1999	Bolden	.....	D19/90
2,013,664	*	9/1935	Marowitz	.....	229/67.1
2,219,526	*	10/1940	McLaren	.....	229/75
2,460,909	*	2/1949	Shaffer	.....	229/67.3
3,999,819	*	12/1976	Schreyer	.....	312/184
5,341,982	*	8/1994	Syers	.....	229/67.1
5,492,268	*	2/1996	Biddle et al.	.....	229/67.1

**OTHER PUBLICATIONS**

Miller Office Products, c1998, see p. 561, items A and E, circled.\*

\* cited by examiner

*Primary Examiner*—Martie K. Holtje

(74) *Attorney, Agent, or Firm*—Merchant & Gould P.C.

(57) **CLAIM**

The ornamental design for folder, as shown and described.

**DESCRIPTION**

FIG. 1 is a perspective view of a first embodiment of a folder, according to the present invention;

FIG. 2 is a front elevational view of a first embodiment of a folder, according to the present invention;

FIG. 3 is a rear elevational view of a first embodiment of a folder, according to the present invention;

FIG. 4 is a left side view of a first embodiment of a folder, according to the present invention;

FIG. 5 is a right side view of a first embodiment of a folder, according to the present invention;

FIG. 6 is a top plan view of a first embodiment of a folder, according to the present invention;

FIG. 7 is a bottom plan view of a first embodiment of a folder, according to the present invention;

FIG. 8 is a perspective view of a second embodiment of a folder, according to the present invention;

FIG. 9 is a front elevational view of a second embodiment of a folder, according to the present invention;

FIG. 10 is a rear elevational view of a second embodiment of a folder, according to the present invention;

FIG. 11 is a left side view of a second embodiment of a folder, according to the present invention;

FIG. 12 is a right side view of a second embodiment of a folder, according to the present invention;

FIG. 13 is a top plan view of a second embodiment of a folder, according to the present invention;

FIG. 14 is a bottom plan view of a second embodiment of a folder, according to the present invention;

FIG. 15 is a perspective view of a third embodiment of a folder, according to the present invention;

FIG. 16 is a front elevational view of a third embodiment of a folder, according to the present invention;

FIG. 17 is a rear elevational view of a third embodiment of a folder, according to the present invention;

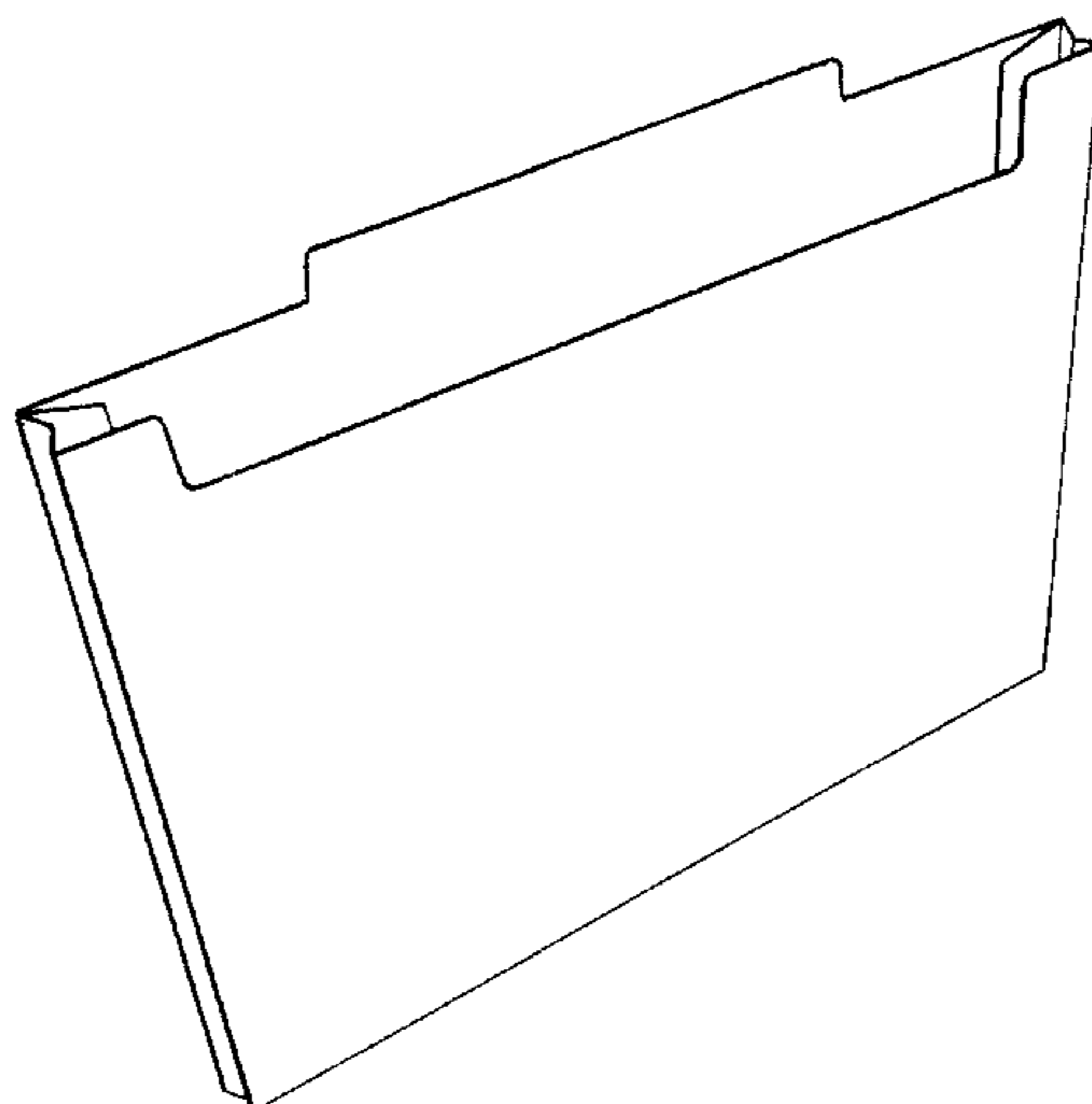
FIG. 18 is a left side view of a third embodiment of a folder, according to the present invention;

FIG. 19 is a right side view of a third embodiment of a folder, according to the present invention;

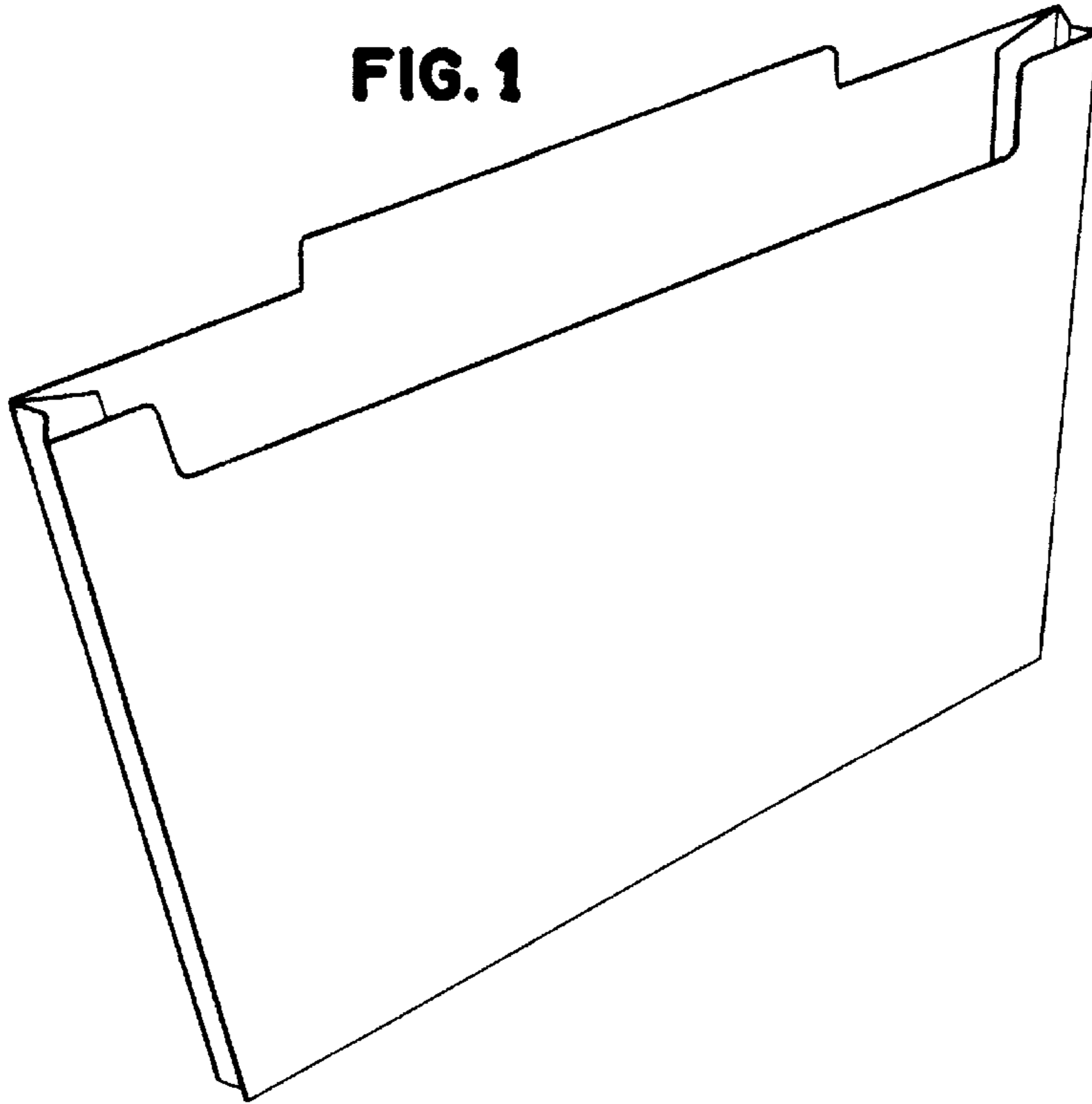
FIG. 20 is a top plan view of a third embodiment of a folder, according to the present invention; and,

FIG. 21 is a bottom plan view of a third embodiment of a folder, according to the present invention.

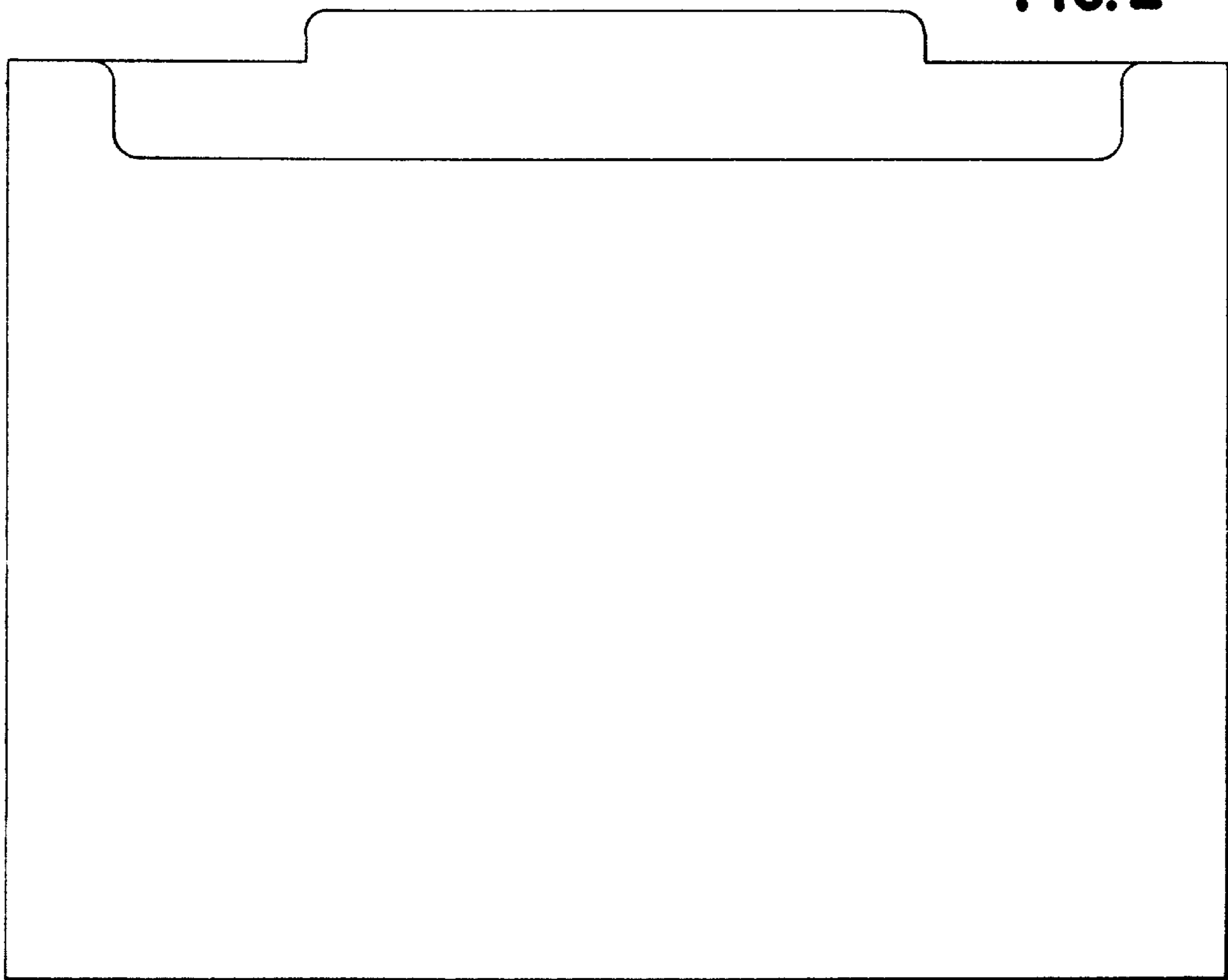
**1 Claim, 9 Drawing Sheets**



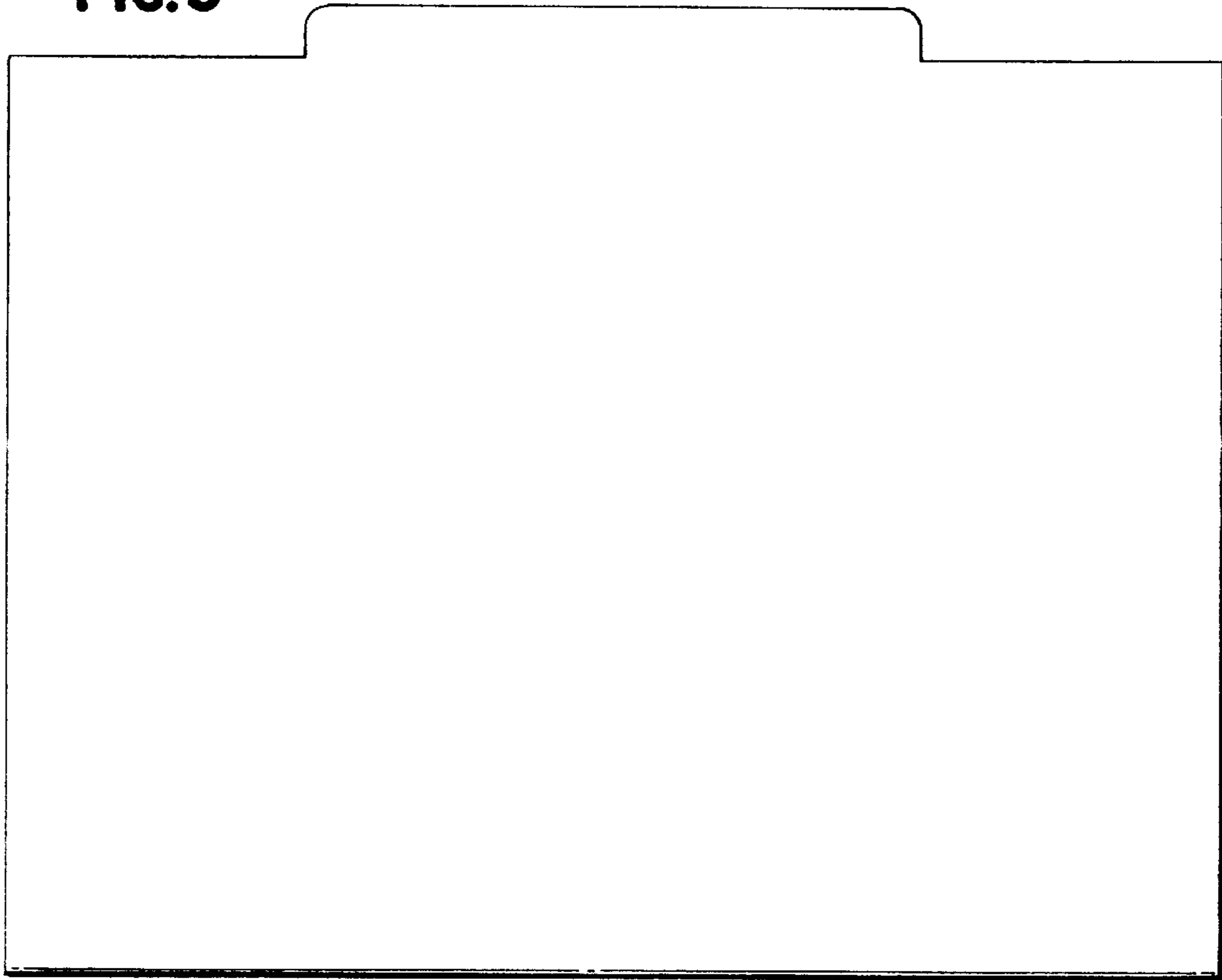
**FIG. 1**



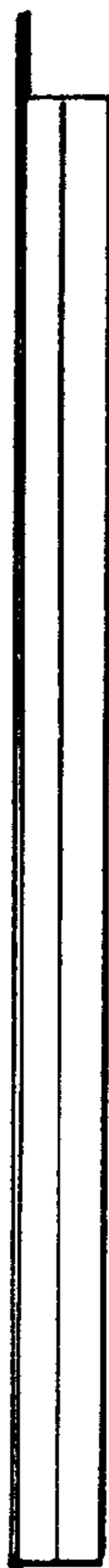
**FIG. 2**



**FIG. 3**



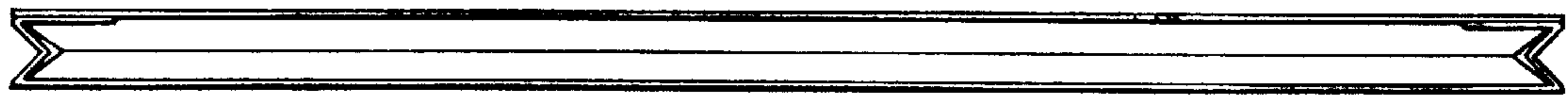
**FIG. 4**



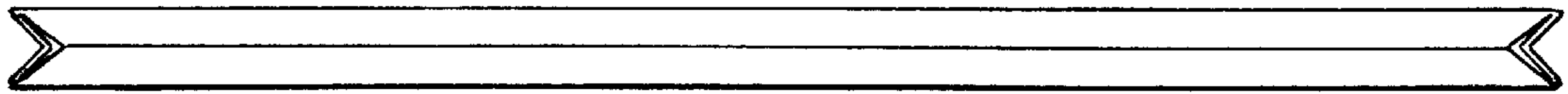
**FIG. 5**



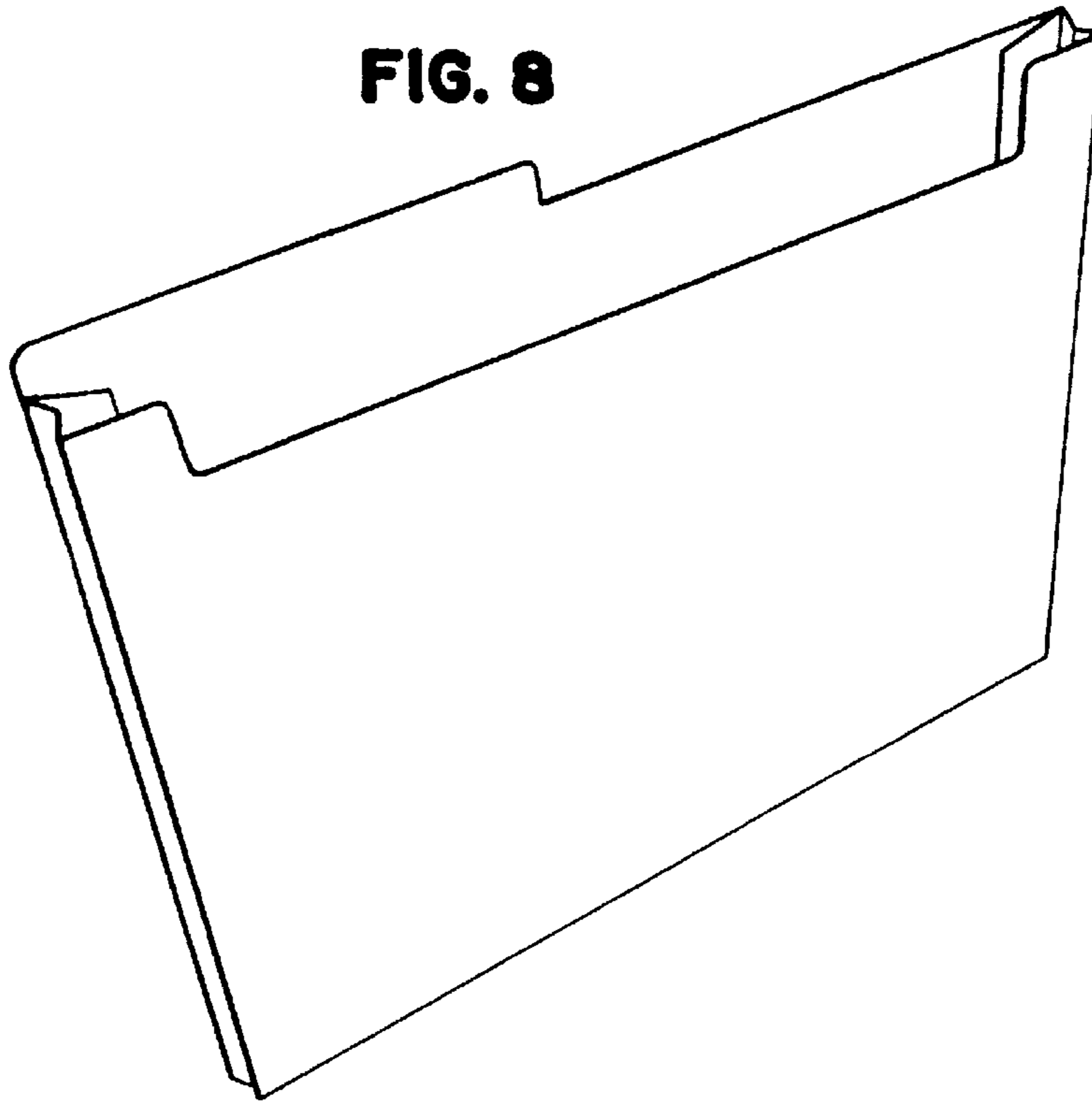
**FIG. 6**



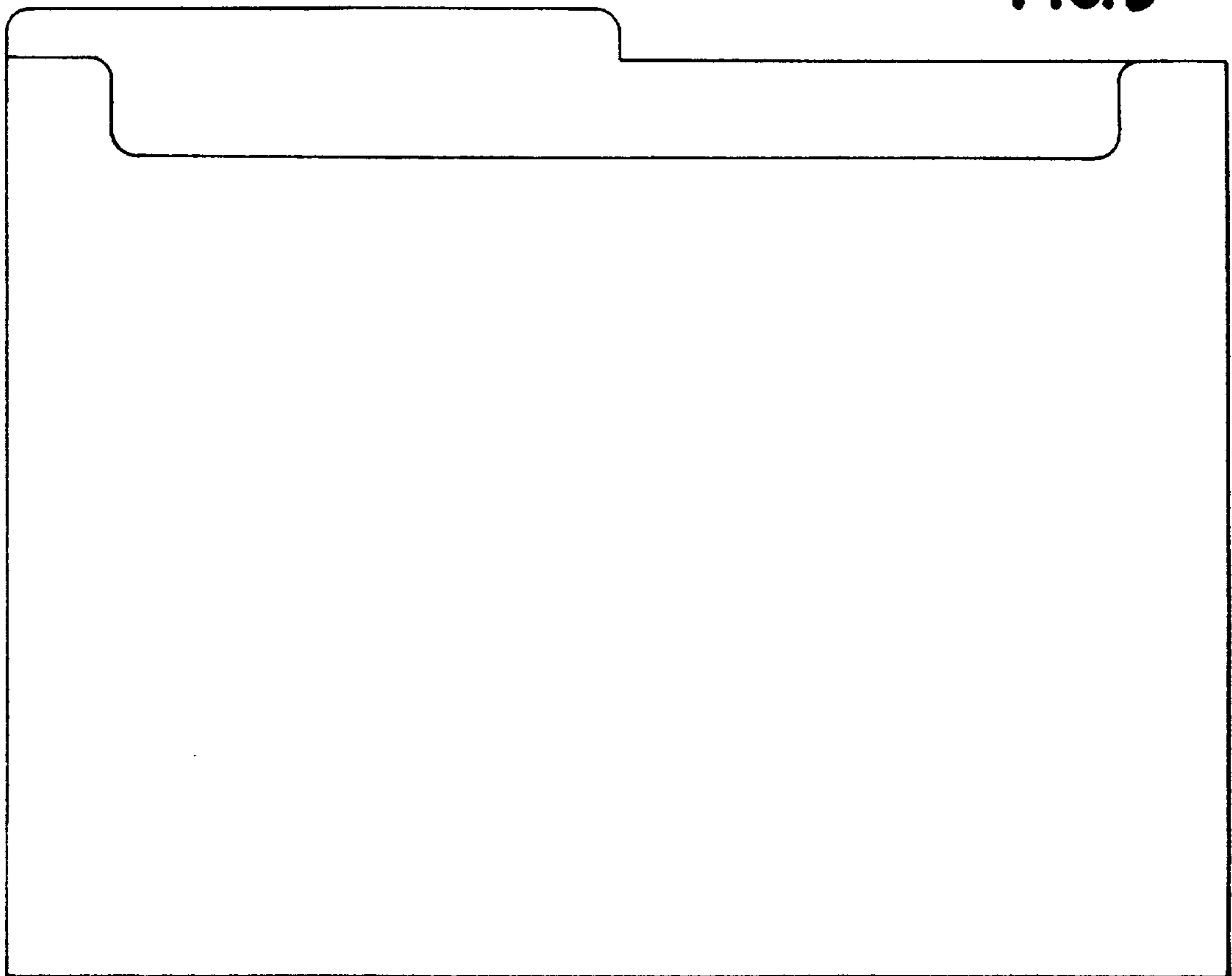
**FIG. 7**



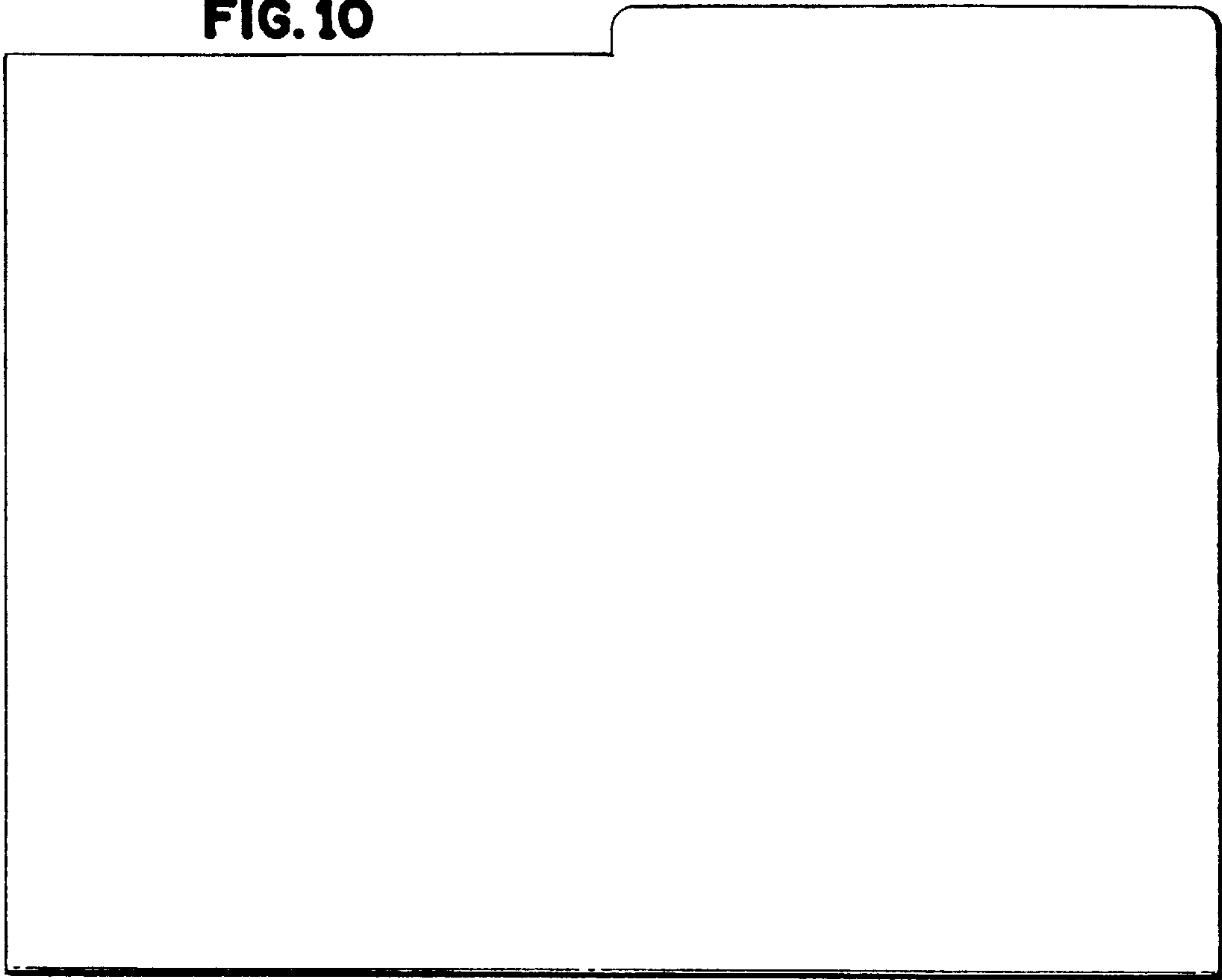
**FIG. 8**



**FIG. 9**



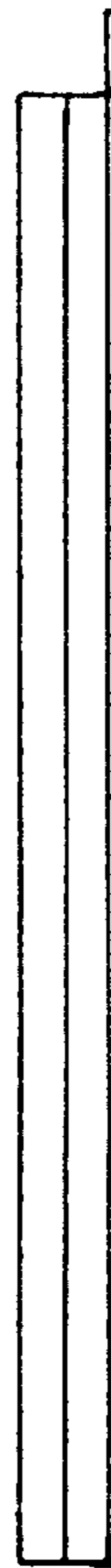
**FIG. 10**



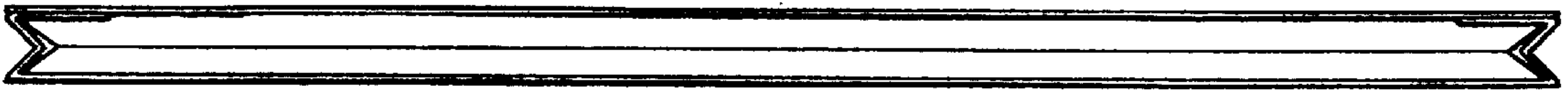
**FIG. 11**



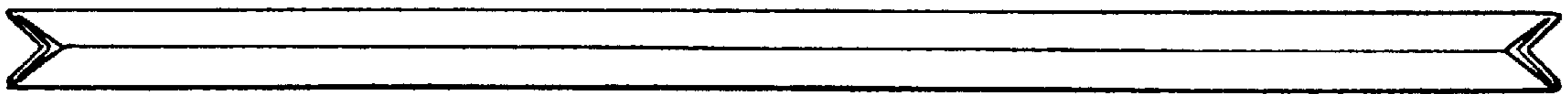
**FIG. 12**



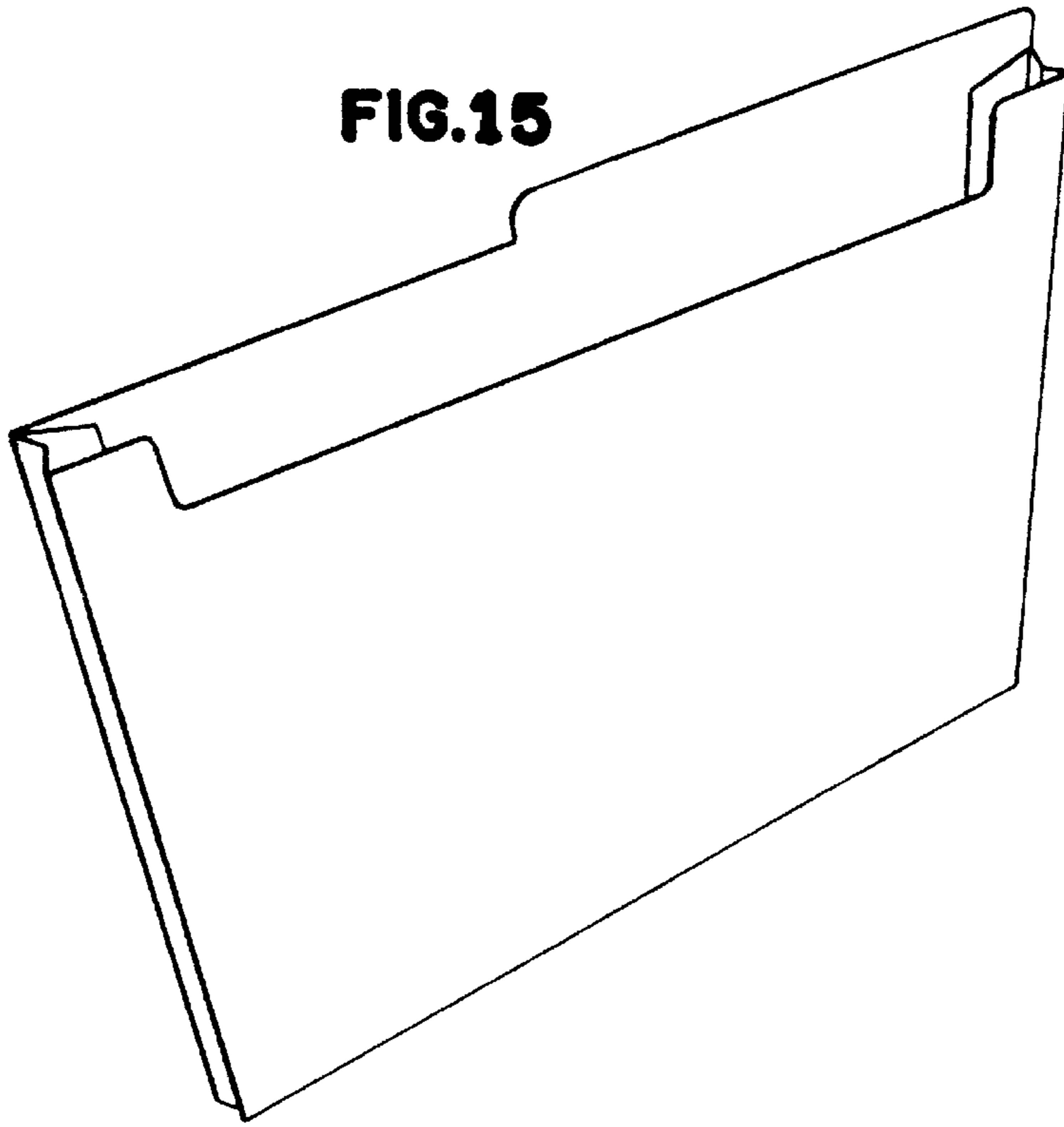
**FIG.13**



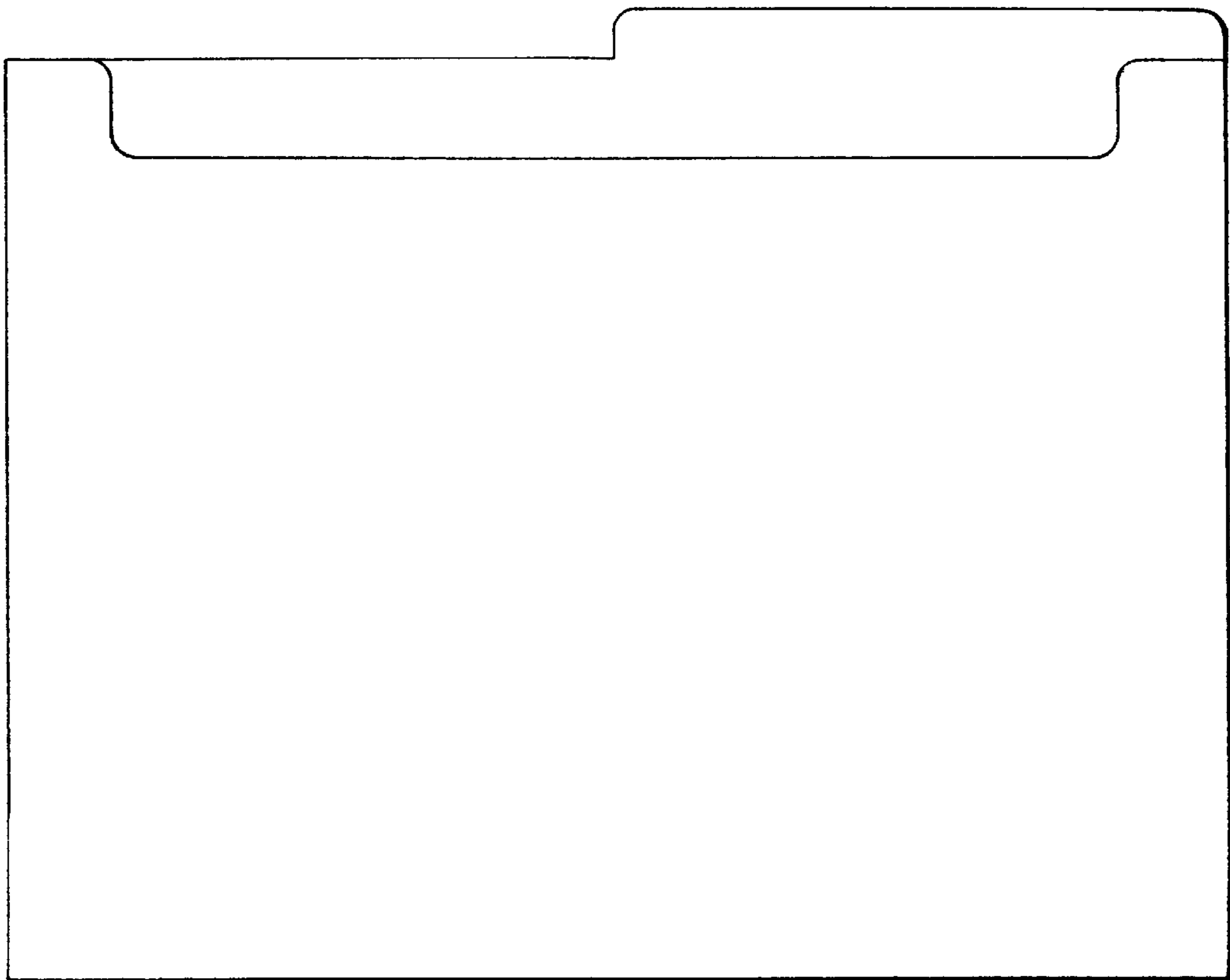
**FIG.14**



**FIG.15**

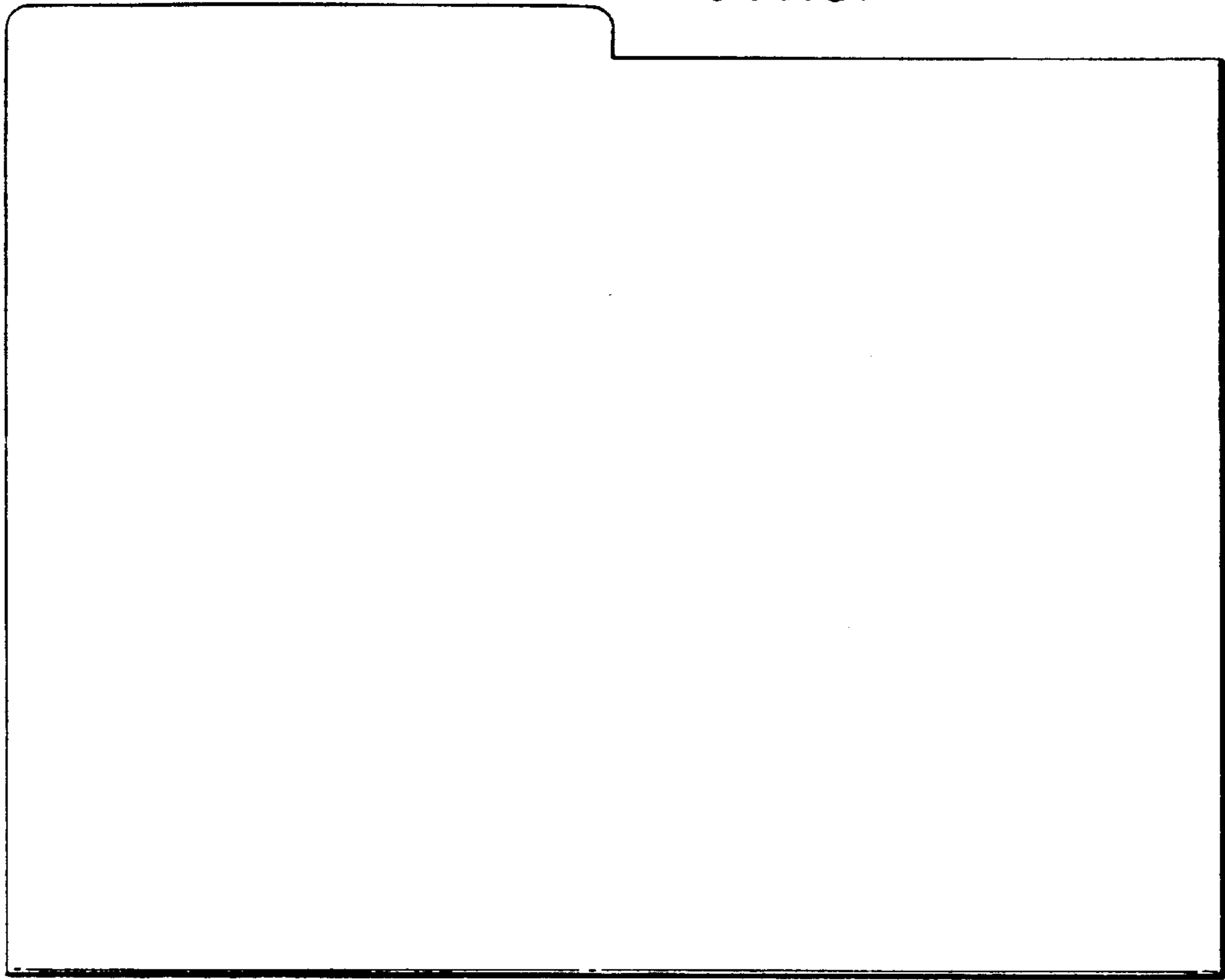


**FIG.16**





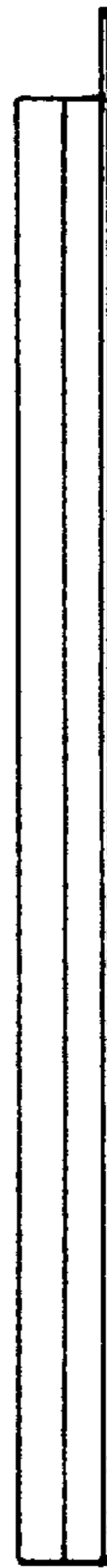
**FIG.17**



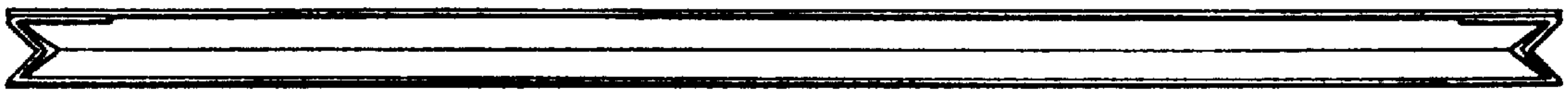
**FIG.18**



**FIG.19**



**FIG. 20**



**FIG. 21**

