



US00D438901S

(12) **United States Design Patent**  
**Aeschliman**

(10) **Patent No.:** **US D438,901 S**

(45) **Date of Patent:** **\*\* Mar. 13, 2001**

(54) **ADJUSTABLE SCRIBING TEMPLATE**

*Primary Examiner*—Martie K. Holtje

(76) **Inventor:** **R. Alan Aeschliman**, 26342 Forest Ridge #1-A, Lake Forest, CA (US) 92630

(57) **CLAIM**

The ornamental design for an “adjustable scribing template,” as shown and described.

(\*\*) **Term:** **14 Years**

**DESCRIPTION**

(21) **Appl. No.:** **29/105,705**

FIG. 1 is a perspective view of an adjustable scribing template being deployed showing my new design; FIG. 2 is a perspective view of an adjustable scribing template being stowed showing my new design; FIG. 3 is a front elevational view, the rear elevational view being a mirrored image thereof; FIG. 4 is a right side elevational view thereof; FIG. 5 is a left side elevational view thereof; FIG. 6 is a top plan view thereof; FIG. 7 is a bottom view thereof; FIG. 8 is a perspective view of a further embodiment of the adjustable scribing template showing my new design; FIG. 9 is a front elevational view of the further embodiment, the rear elevational view being a mirrored image thereof; FIG. 10 is a right side elevational view of the further embodiment thereof; FIG. 11 is a left side elevational view of the further embodiment thereof; FIG. 12 is a top plan view of the further embodiment thereof; and, FIG. 13 is a bottom plan view of the further embodiment thereof.

(22) **Filed:** **Jul. 29, 1999**

(51) **LOC (7) Cl.** ..... **19-06**

(52) **U.S. Cl.** ..... **D19/37; D19/35**

(58) **Field of Search** ..... D19/35, 36, 37, D19/39, 40; D10/62, 64; 33/1 G, 1 F, 19.3, 18.1, 23.11, 42, 32.2, 562, 563, 564, 565, 566, 578; 434/72, 81, 85, 87, 90, 211; 269/307; 144/144.51

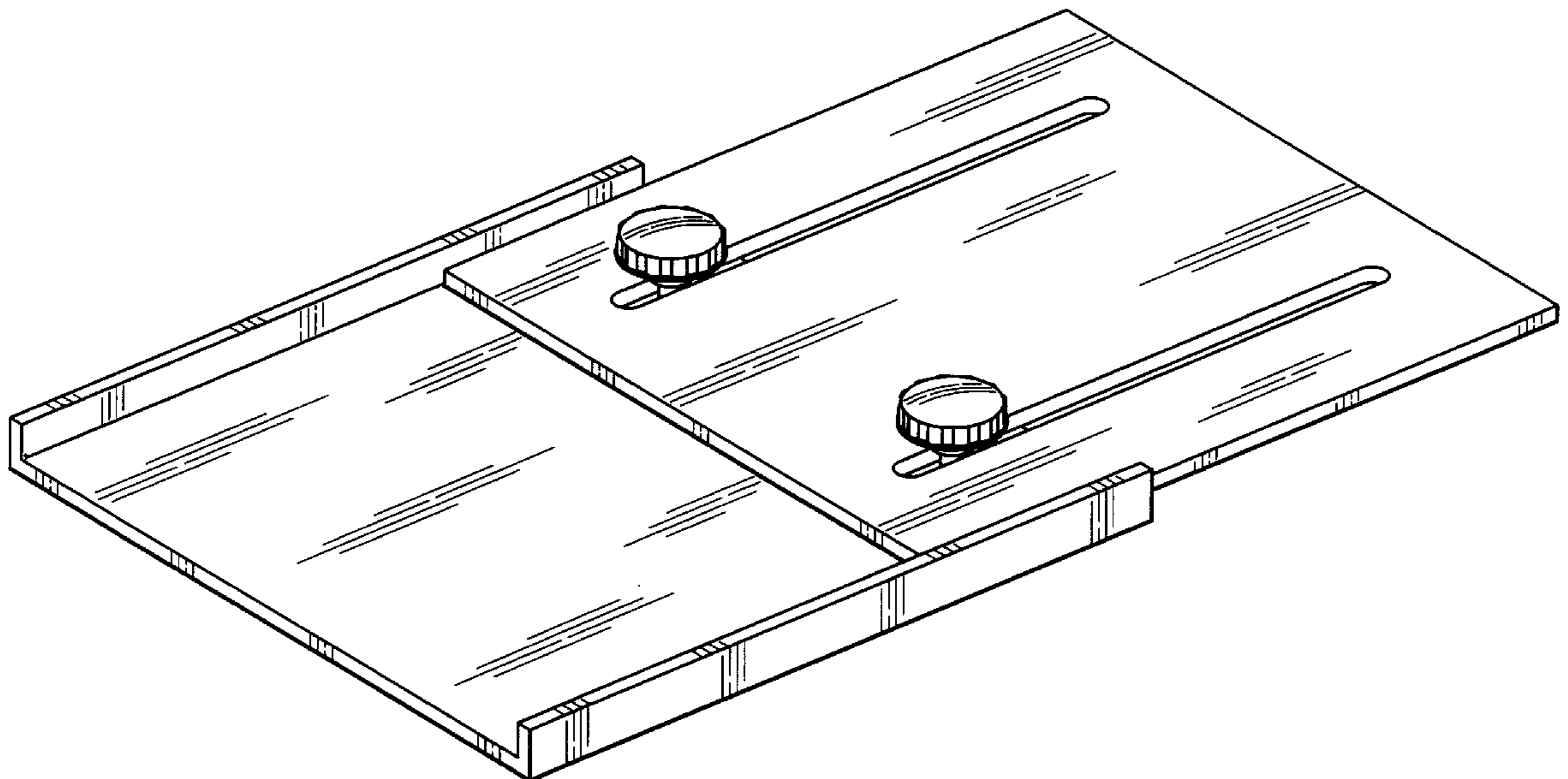
(56) **References Cited**

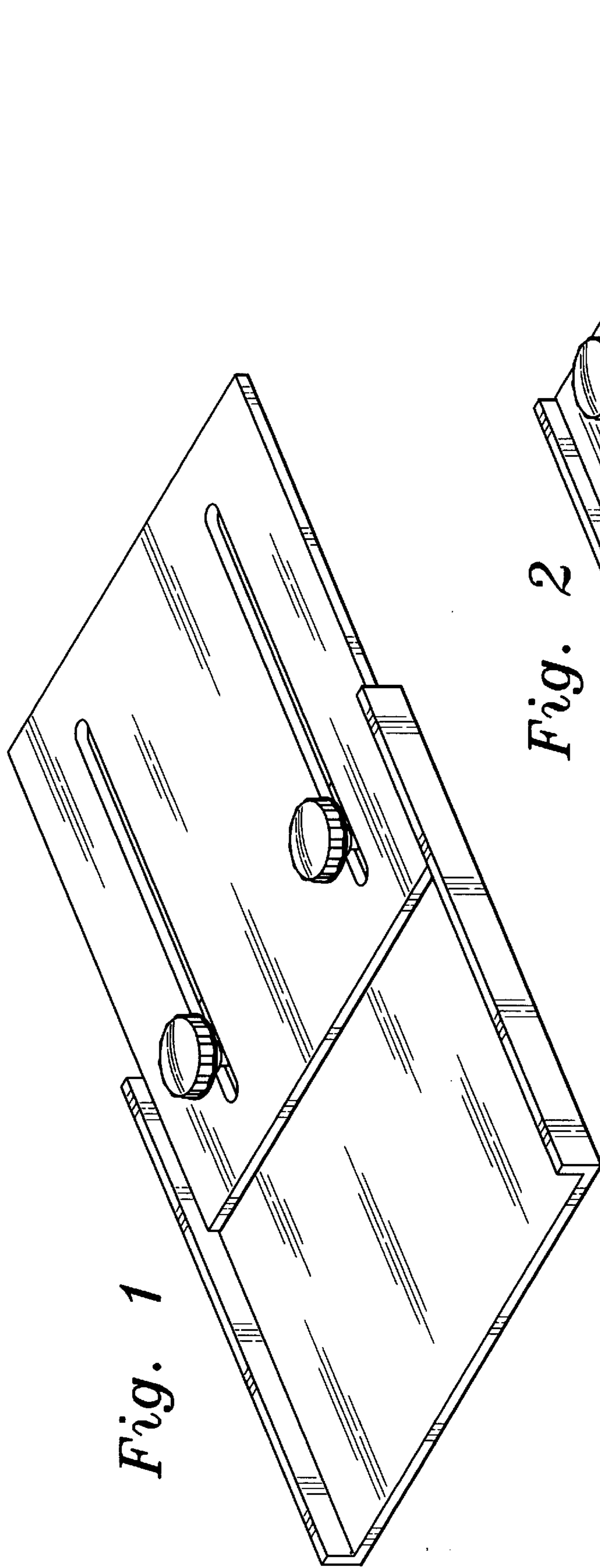
**U.S. PATENT DOCUMENTS**

D. 139,700	*	12/1944	Truhon	.....	D10/64
D. 251,495	*	4/1979	Harrison et al.	.....	D19/37
D. 263,481	*	3/1982	Vest	.....	D19/35
3,626,600	*	12/1971	Gaither	.....	269/307
4,270,276	*	6/1981	Skura	.....	33/578
4,388,761	*	6/1983	Henderson	.....	33/42
4,739,558	*	4/1988	Black	.....	33/42
5,353,508	*	10/1994	Baker	.....	33/42
5,682,934	*	11/1997	Rybski	.....	144/144.51

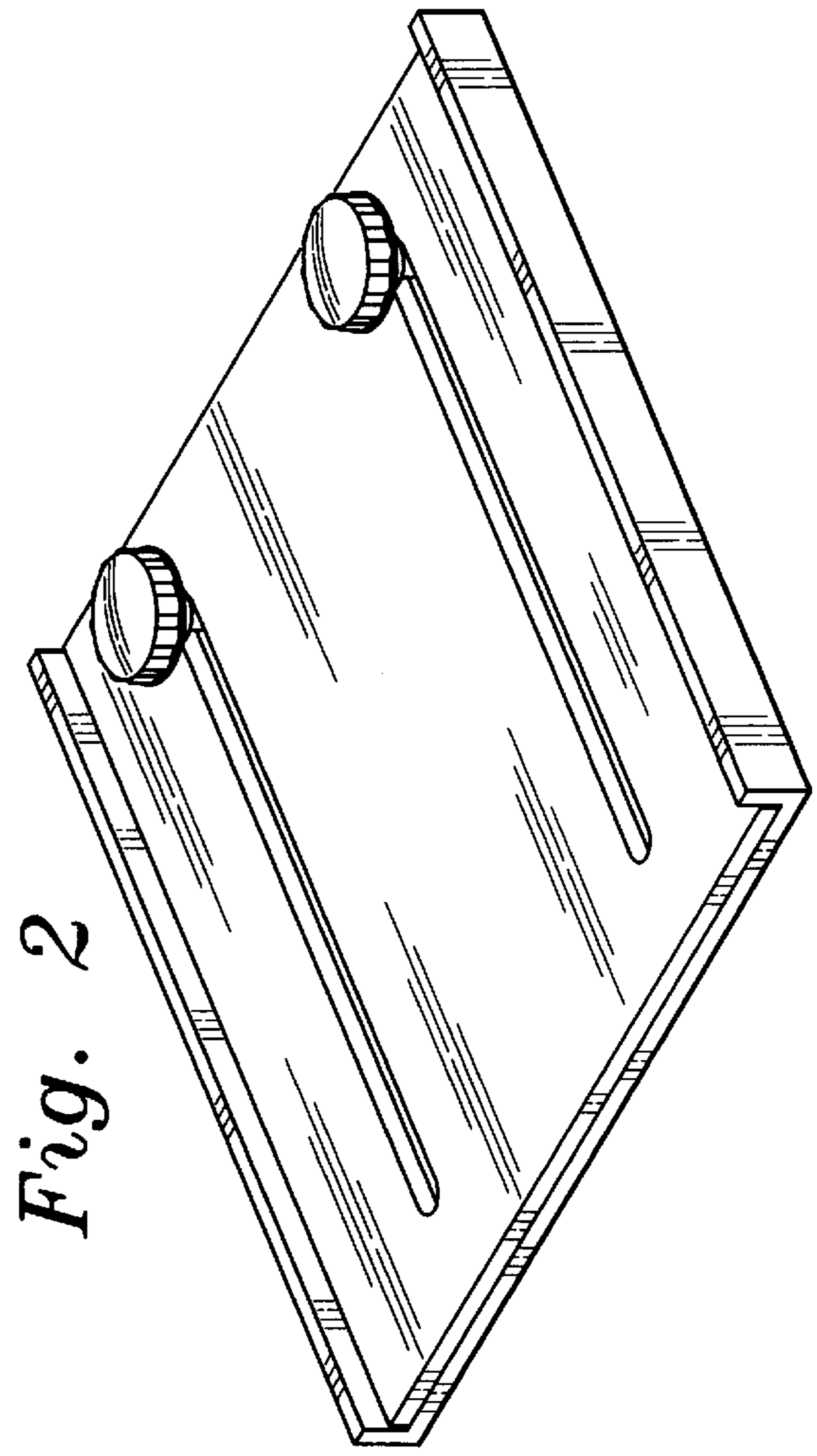
\* cited by examiner

**1 Claim, 8 Drawing Sheets**





*Fig. 1*

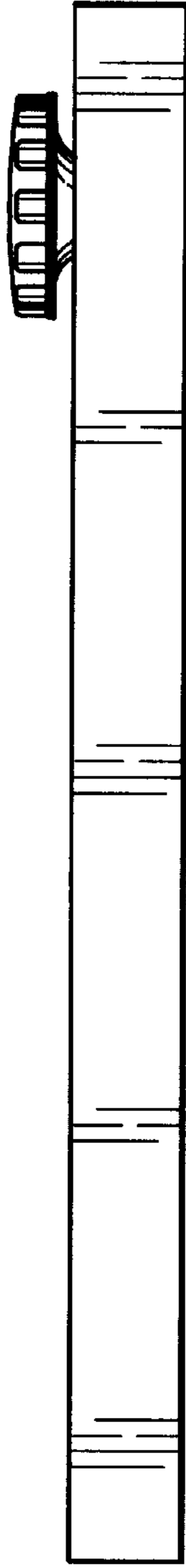


*Fig. 2*

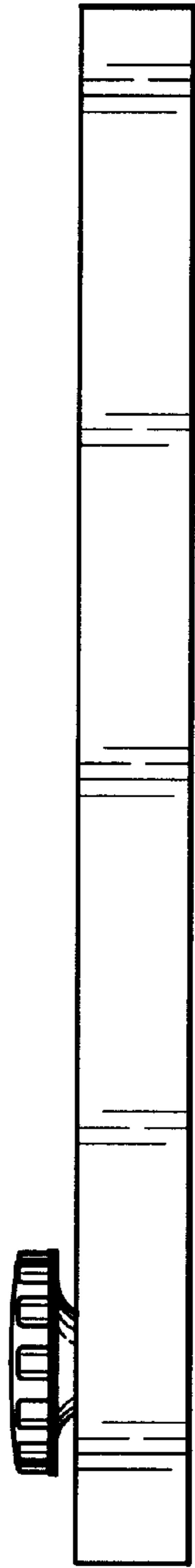
*Fig. 3*

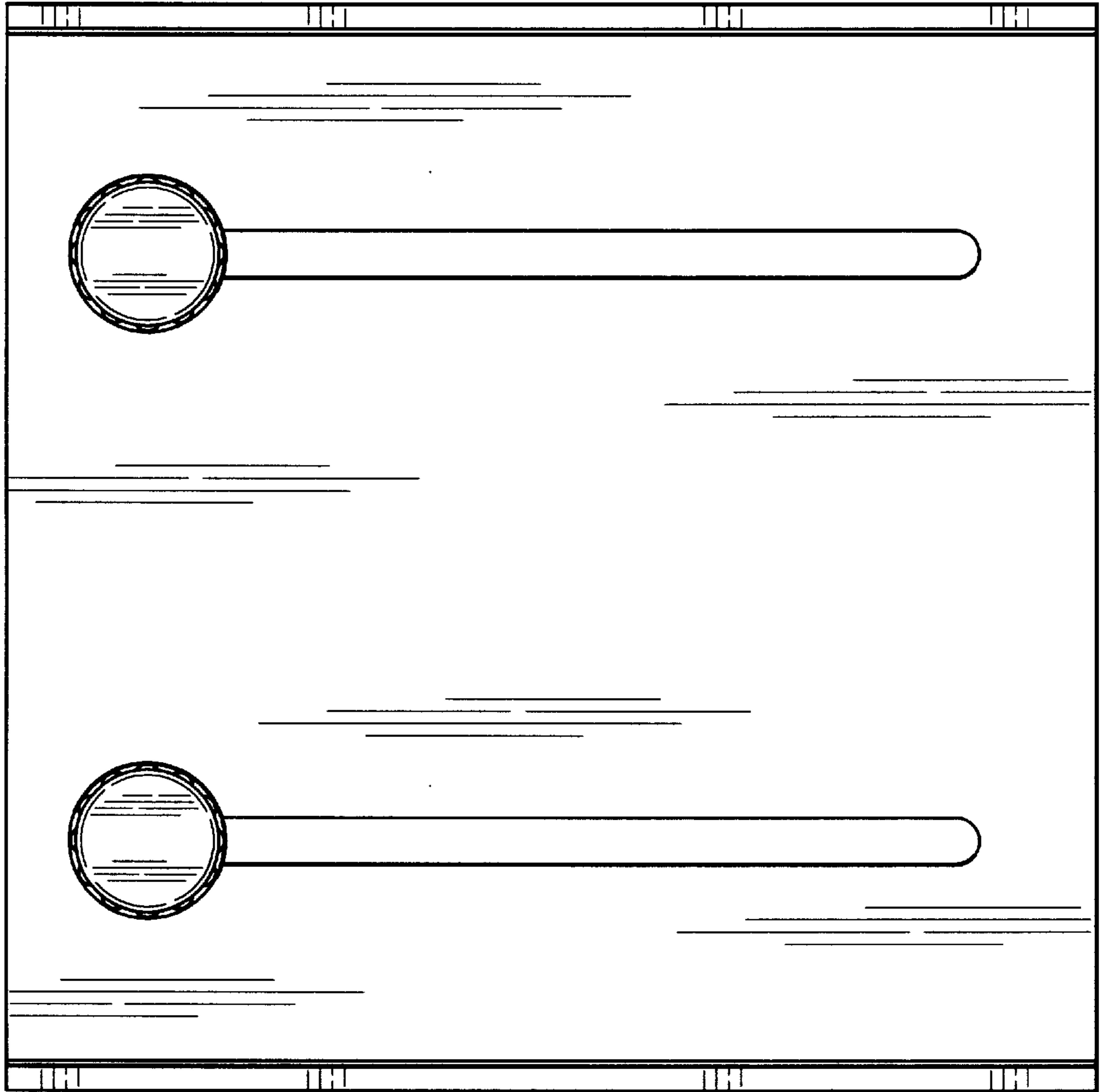


*Fig. 4*

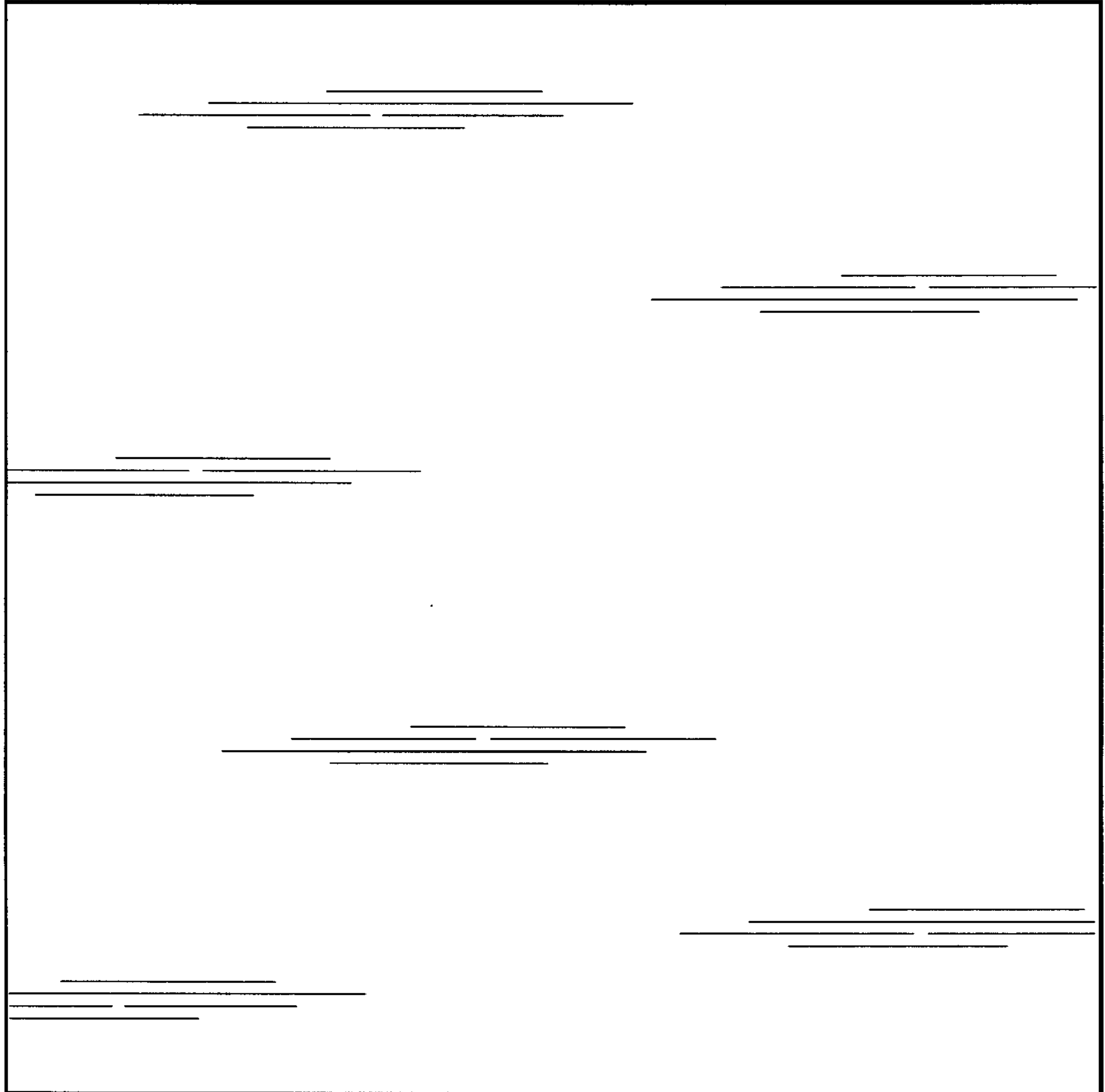


*Fig. 5*



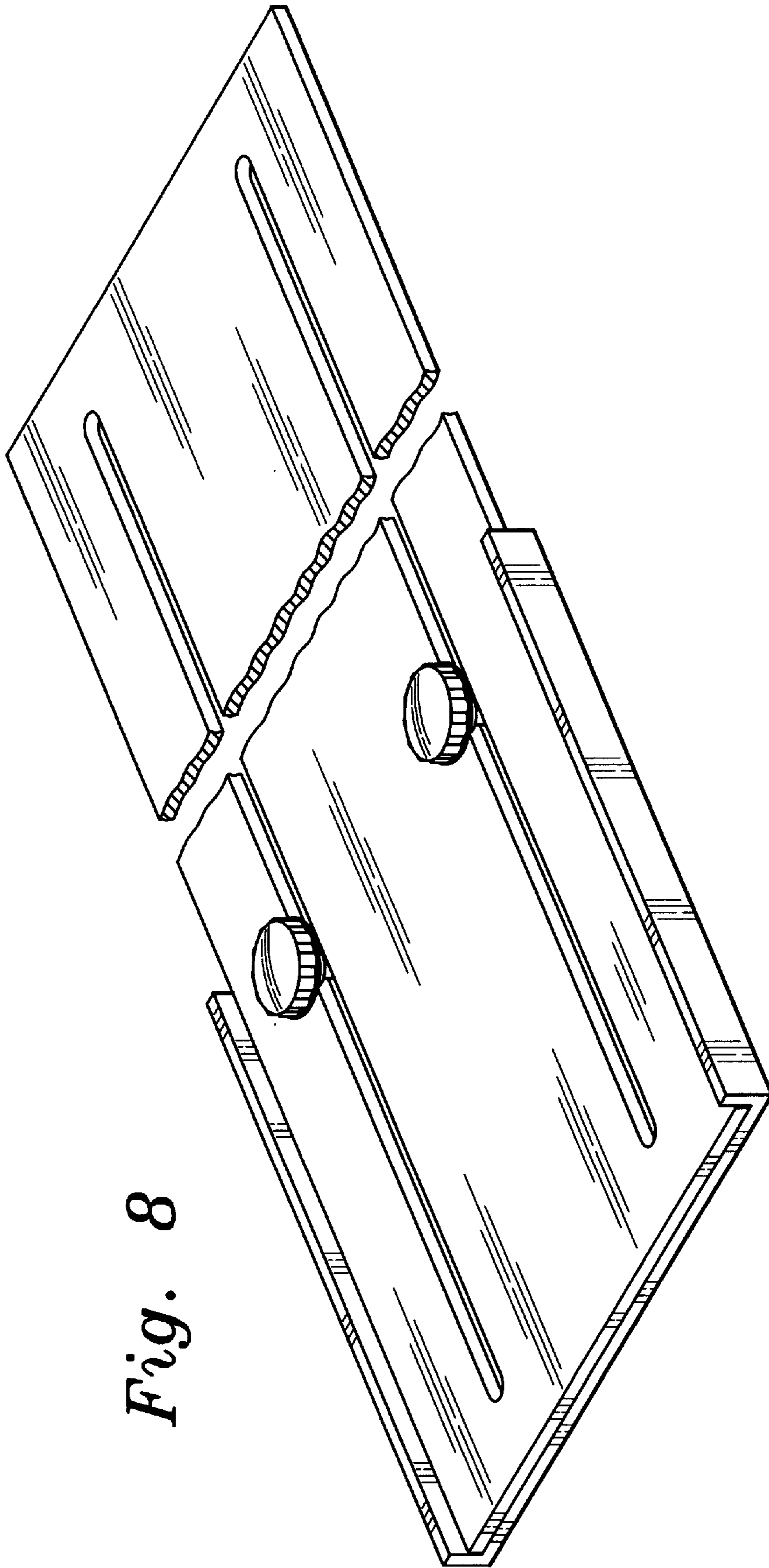


*Fig. 6*



*Fig. 7*



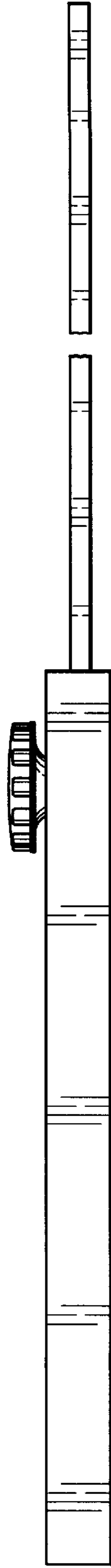


*Fig. 8*

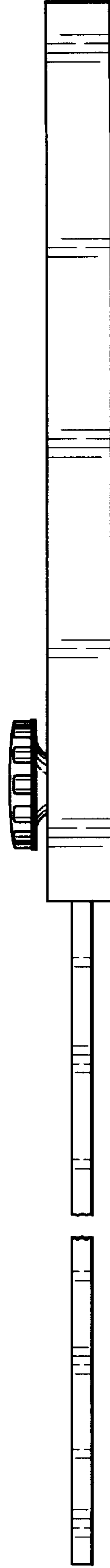
*Fig. 9*

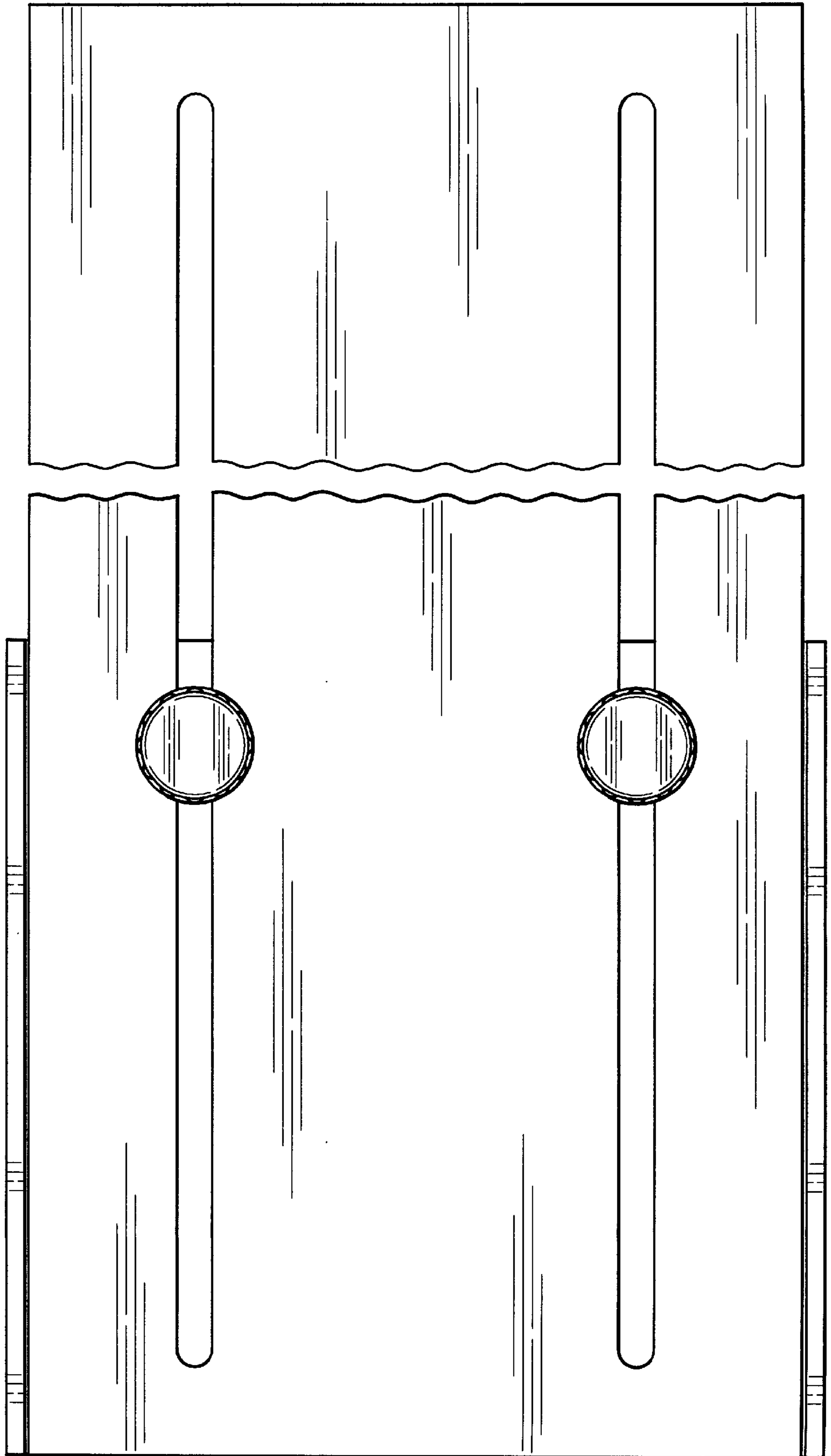


*Fig. 10*



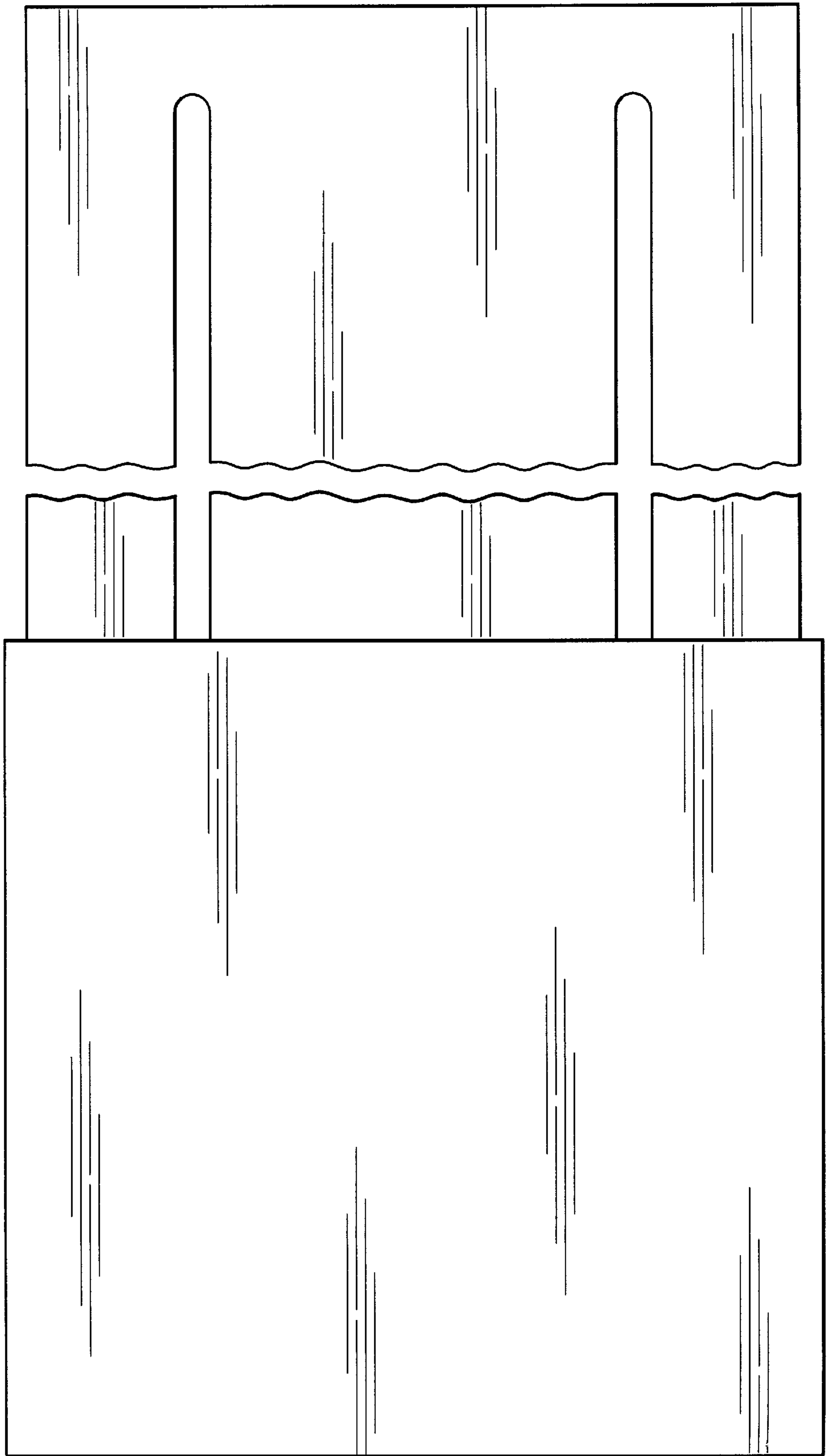
*Fig. 11*





*Fig. 12*





*Fig. 13*