



US00D438894S

(12) **United States Design Patent**
Bishop et al.

(10) **Patent No.:** **US D438,894 S**

(45) **Date of Patent:** **** Mar. 13, 2001**

(54) **PRINTER**

(75) Inventors: **David Carl Bishop**, Versailles; **Thomas Eugene Pangburn**, Lexington, both of KY (US)

(73) Assignee: **Lexmark International, Inc.**, Lexington, KY (US)

(**) Term: **14 Years**

(21) Appl. No.: **29/120,079**

(22) Filed: **Mar. 14, 2000**

(51) **LOC (7) Cl.** **14-02**

(52) **U.S. Cl.** **D18/55**

(58) **Field of Search** D18/50, 54-55;
D14/462-470; 400/613, 613.1-613.4, 690.1-690.4,
691-694

(56) **References Cited**

U.S. PATENT DOCUMENTS

- D. 366,900 * 2/1996 Pangburn et al. D18/50
- D. 390,258 * 2/1998 Kawahara et al. D18/55
- D. 400,918 * 11/1998 Kobayashi et al. D18/55
- D. 411,228 * 6/1999 Kobayashi et al. D18/50
- D. 413,142 * 8/1999 Pangburn D18/55
- D. 419,591 * 1/2000 Pangburn D18/55
- D. 430,598 * 9/2000 Gerstein et al. D18/55
- D. 430,894 * 9/2000 Inoue D18/54

- D. 433,442 * 11/2000 Clark, III D18/55
- D. 433,443 * 11/2000 Ito et al. D18/55
- 5,775,825 * 7/1998 Hong et al. 400/693
- 5,863,141 * 1/1999 Hong et al. 400/692

* cited by examiner

Primary Examiner—Cathy Anne MacCormac

(74) *Attorney, Agent, or Firm*—Jacqueline M. Daspit

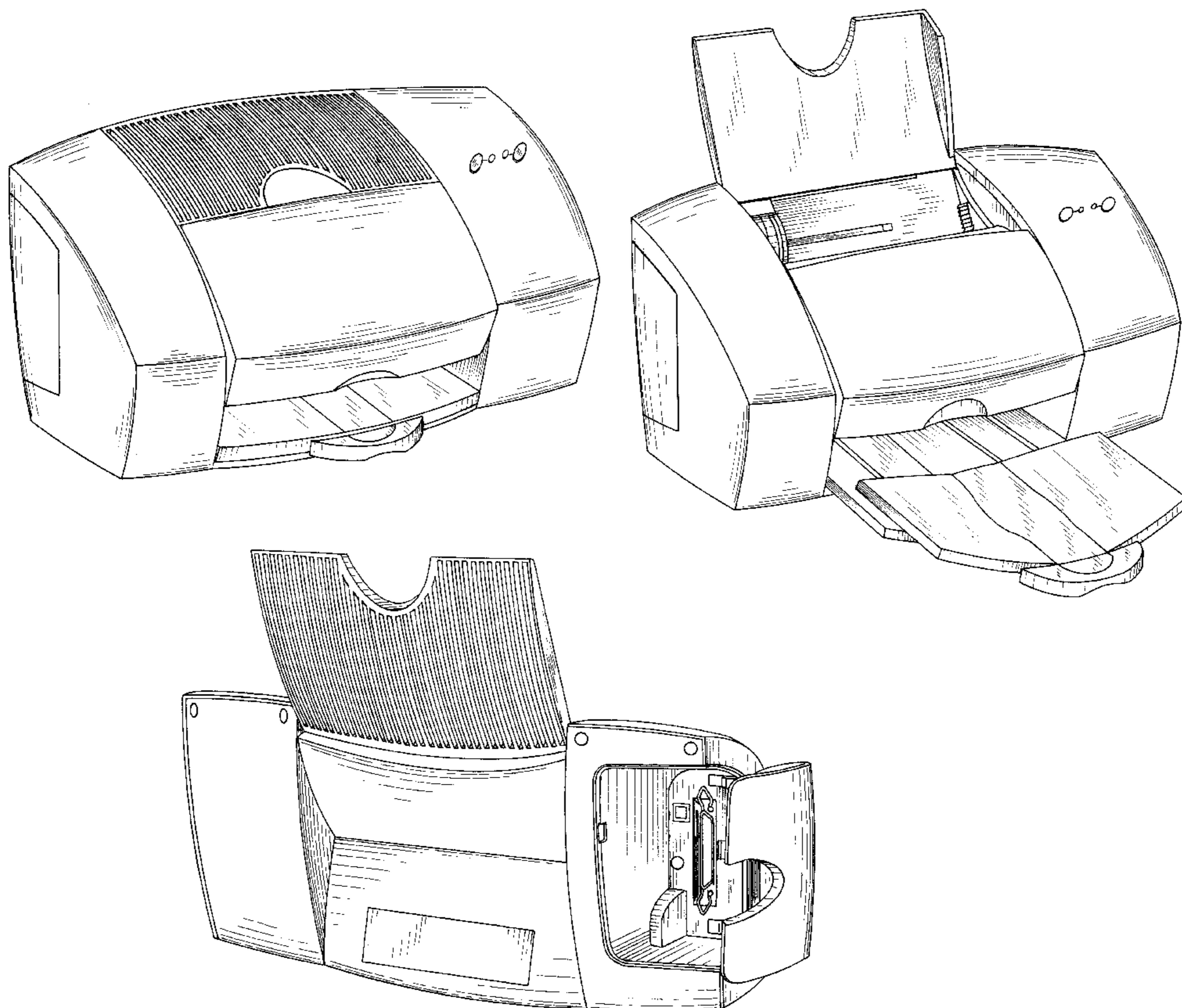
(57) **CLAIM**

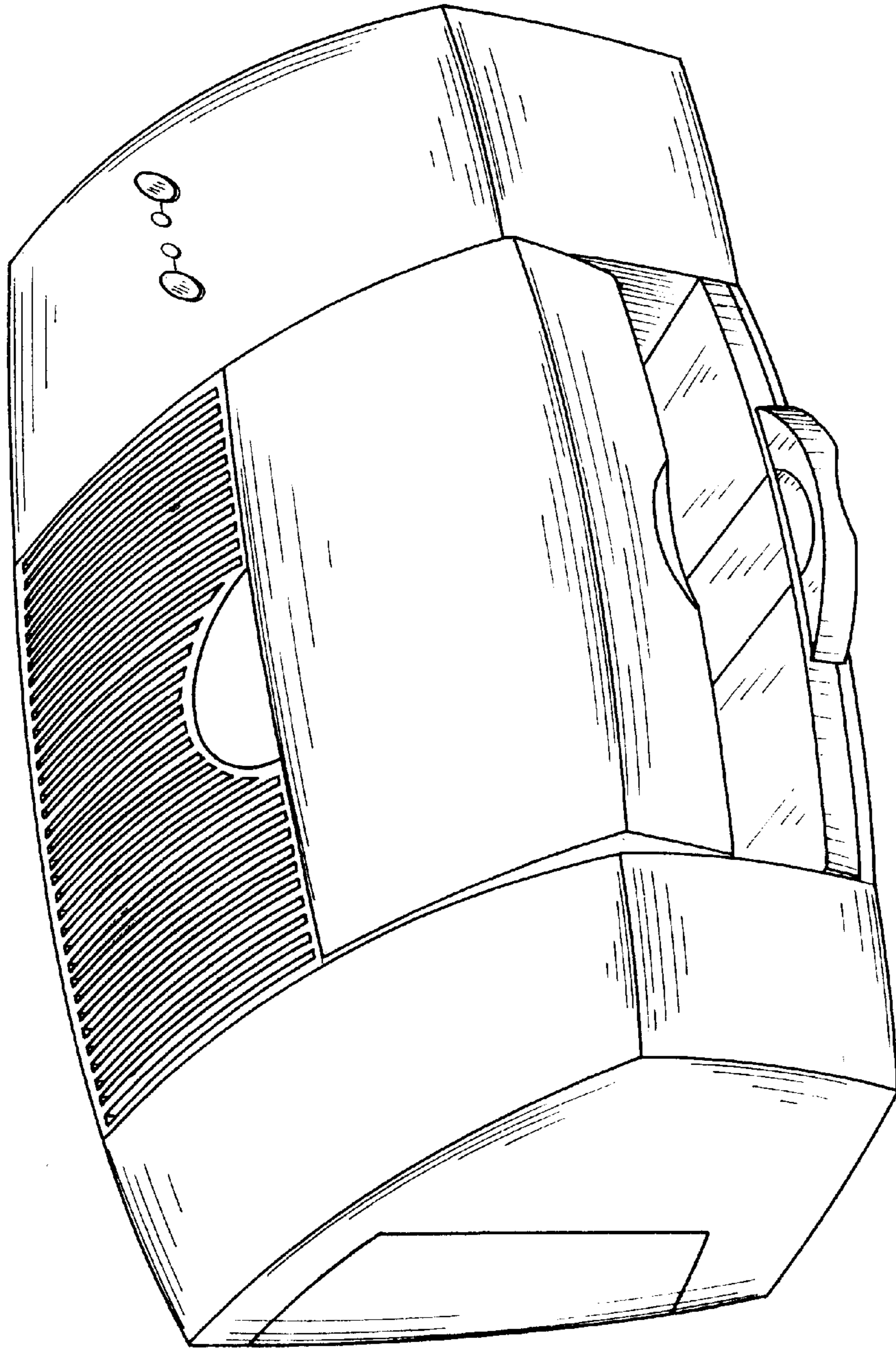
The ornamental design for a printer, as shown and described.

DESCRIPTION

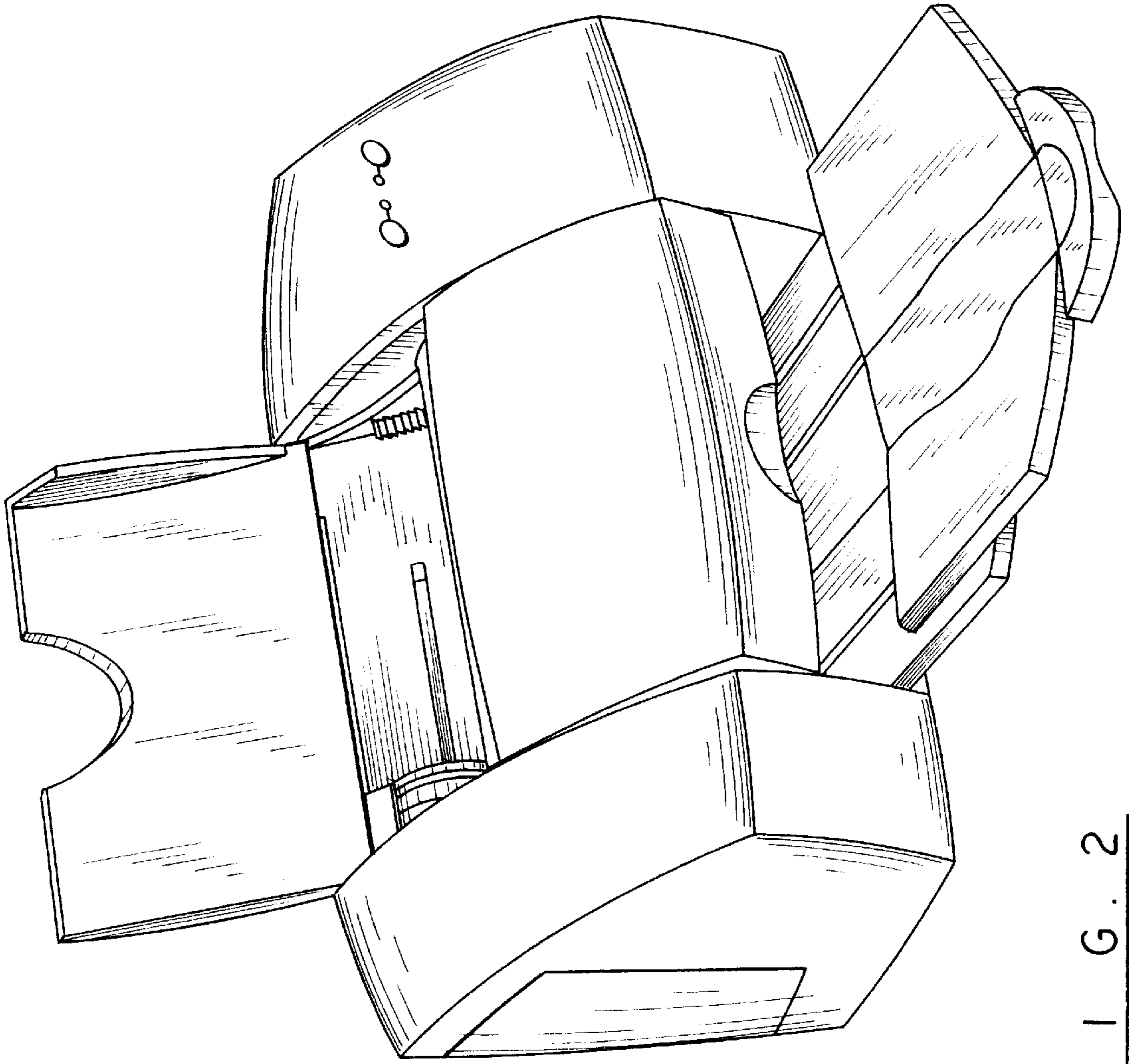
FIG. 1 is a top, front left side perspective view of a printer showing our new design;
 FIG. 2 is a top, front, left side perspective view thereof, with paper trays extended;
 FIG. 3 is a top plan view thereof;
 FIG. 4 is a front elevational view thereof; and
 FIG. 5 is a rear elevational view thereof
 FIG. 6 is a left side elevational view thereof;
 FIG. 7 is a right side elevational view thereof;
 FIG. 8 is a rear, left side perspective view thereof, with access cover open; and,
 FIG. 9 is a rear, right side perspective view thereof, with access cover open.
 The bottom of this printer normally rests on a surface and is not seen nor intended to be seen as a part of our new design.

1 Claim, 8 Drawing Sheets

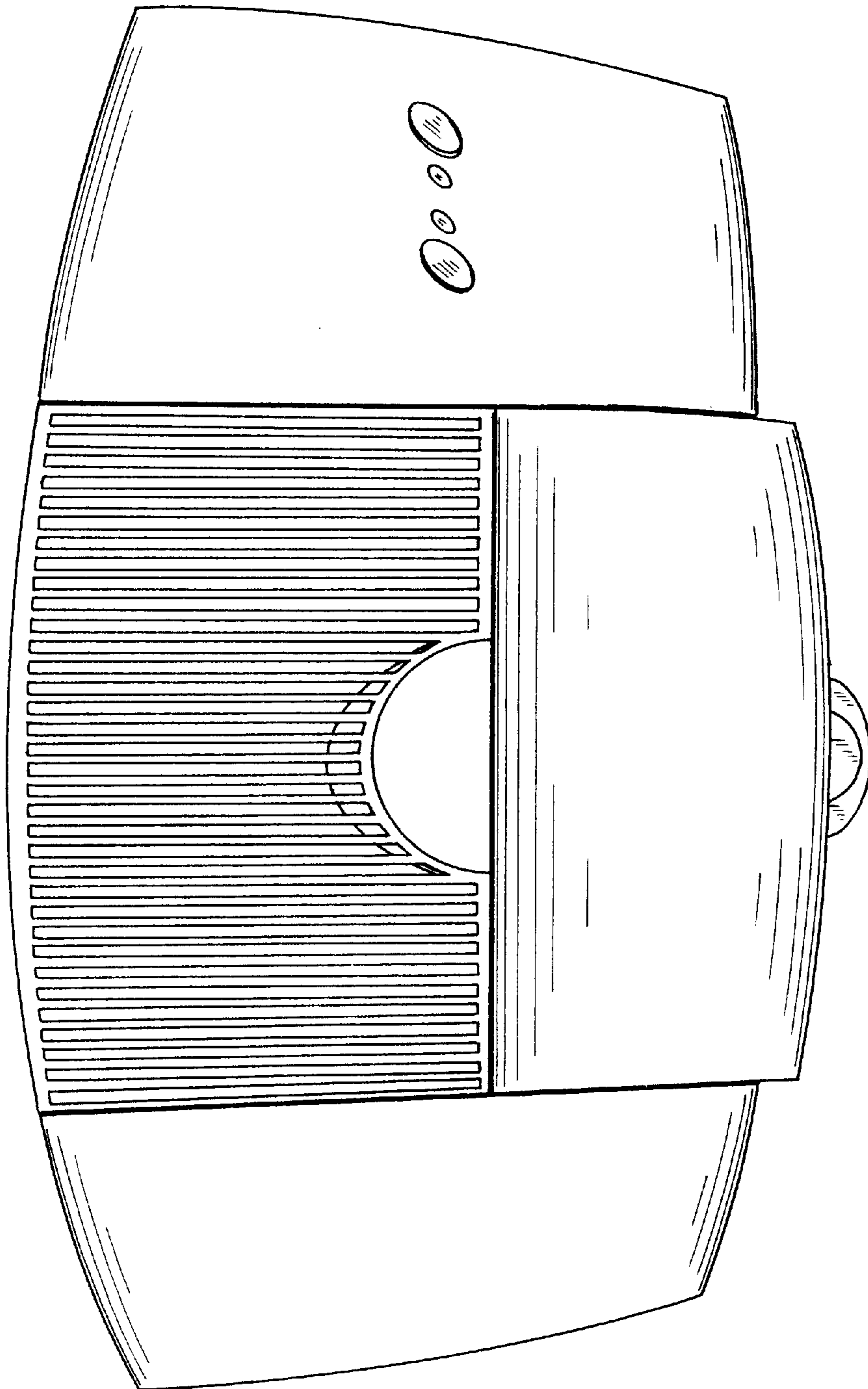




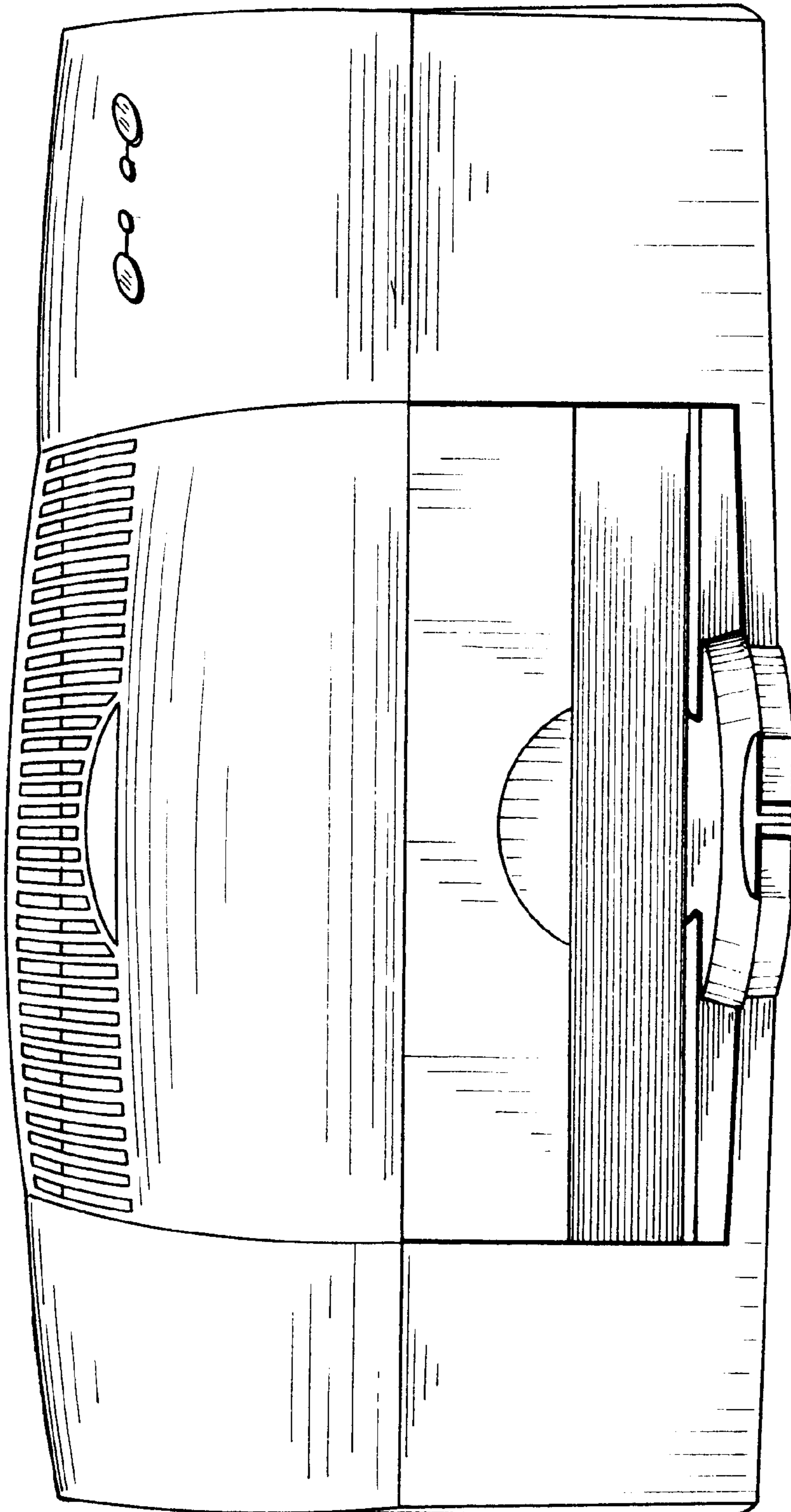
F I G . 1



F I G . 2



F I G . 3



F I G . 4

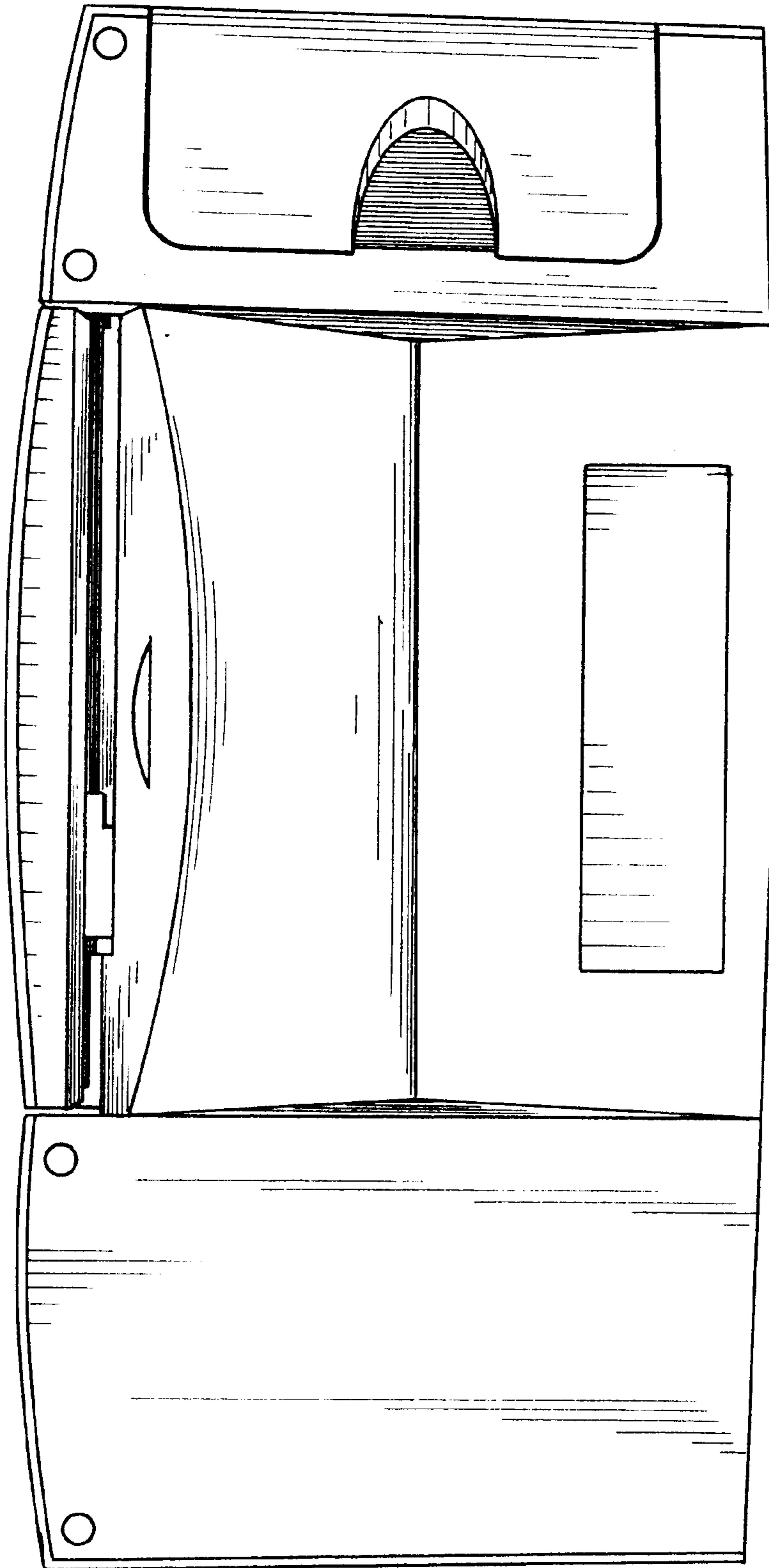
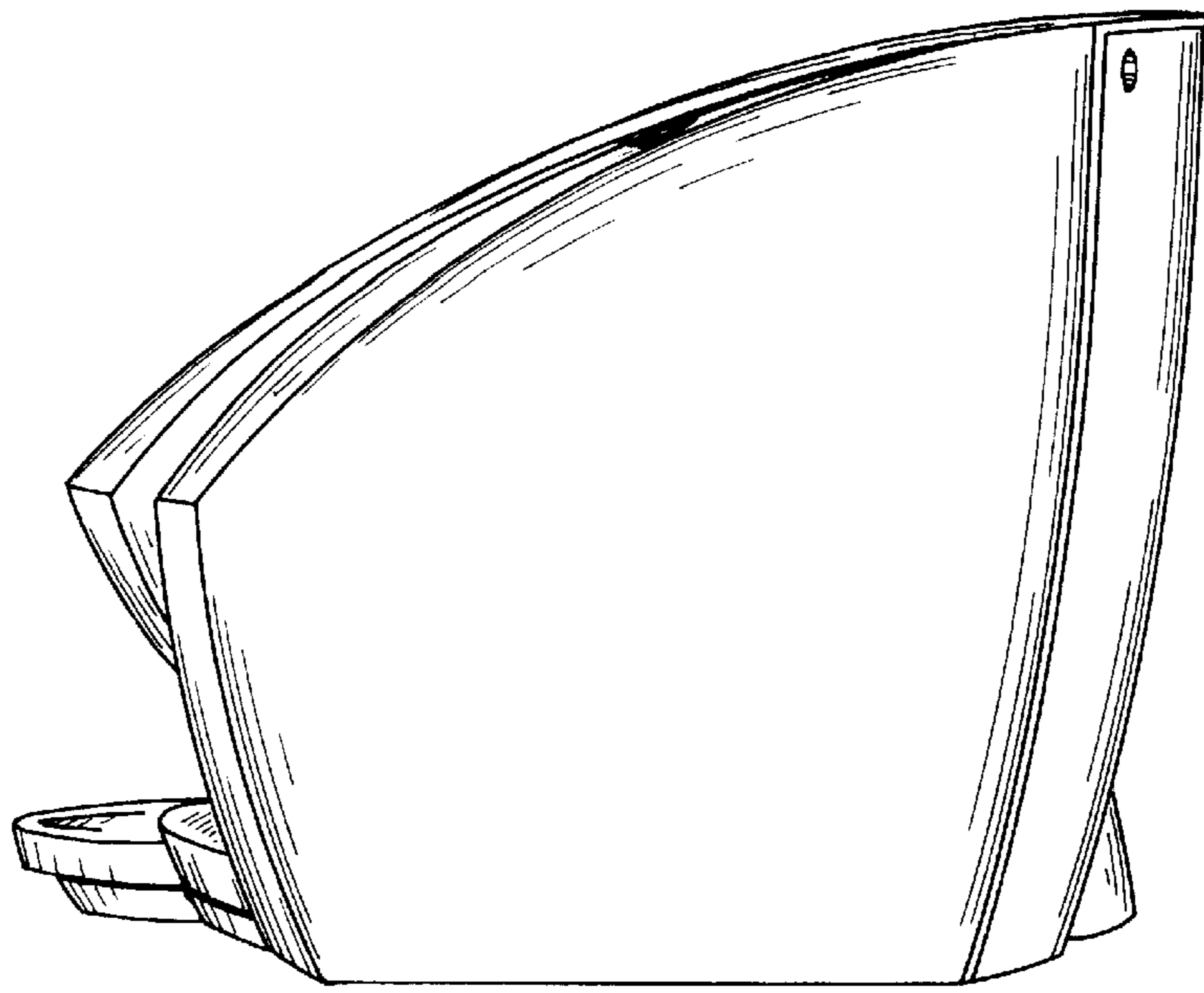
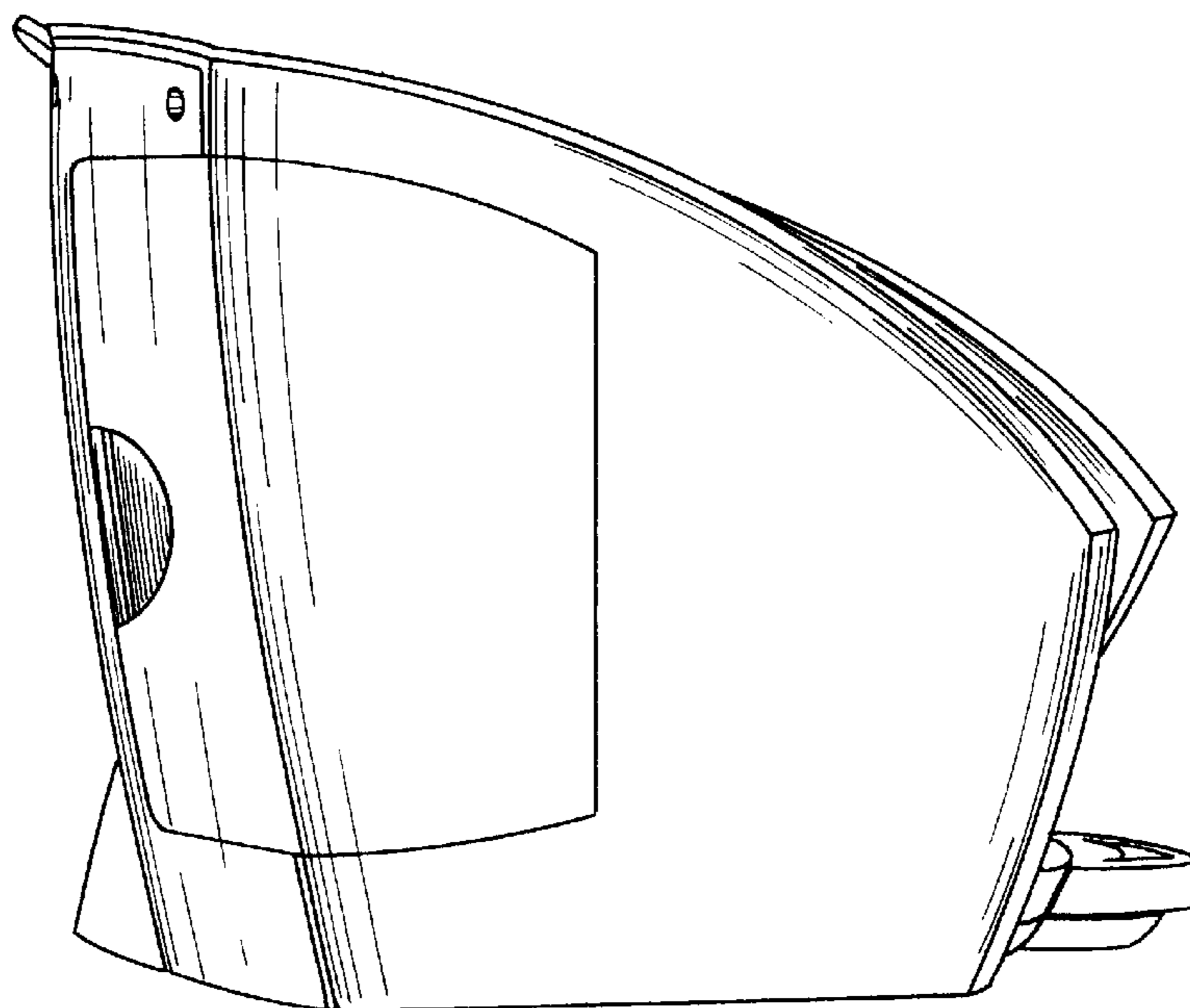


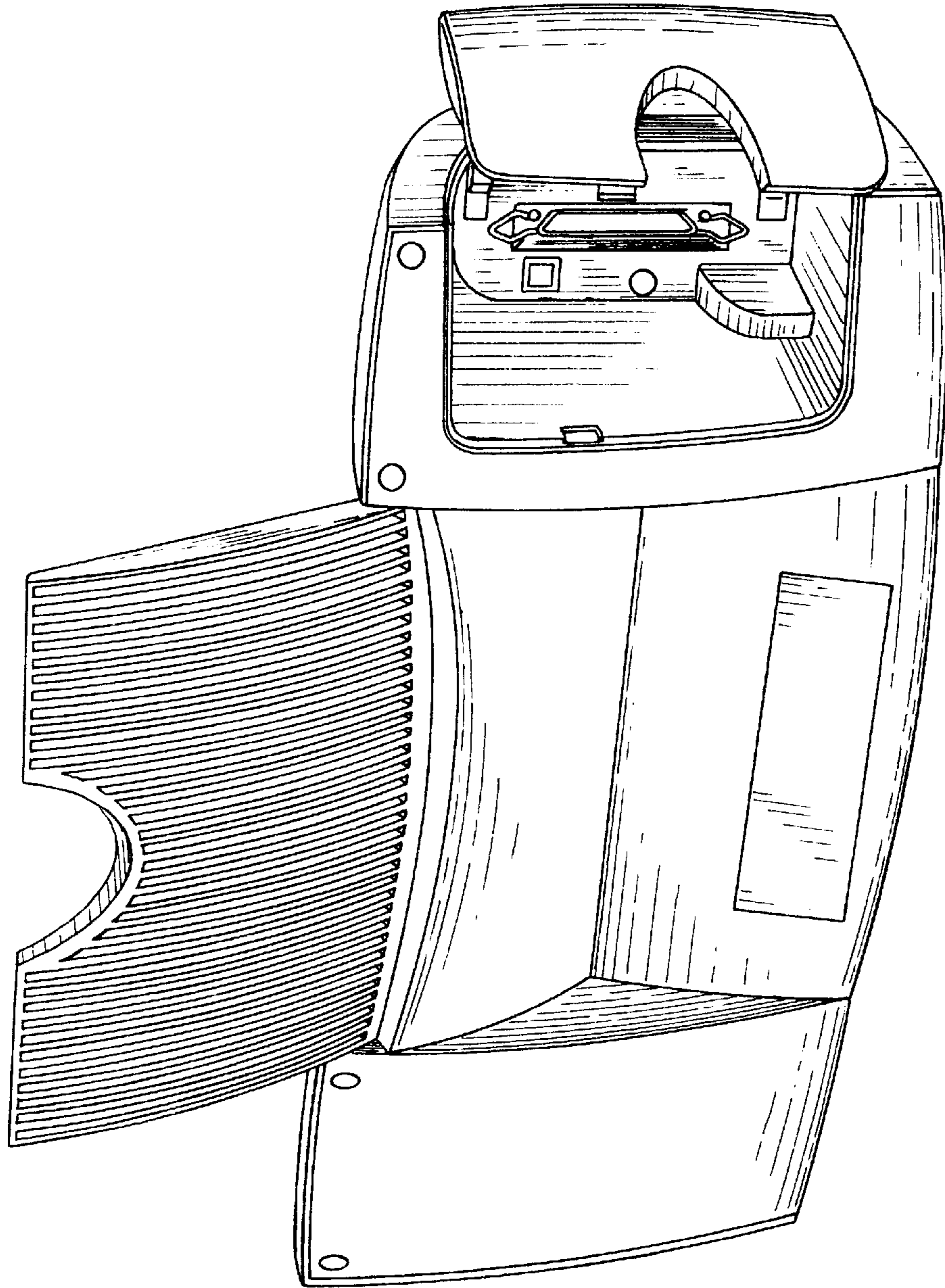
FIG. 5



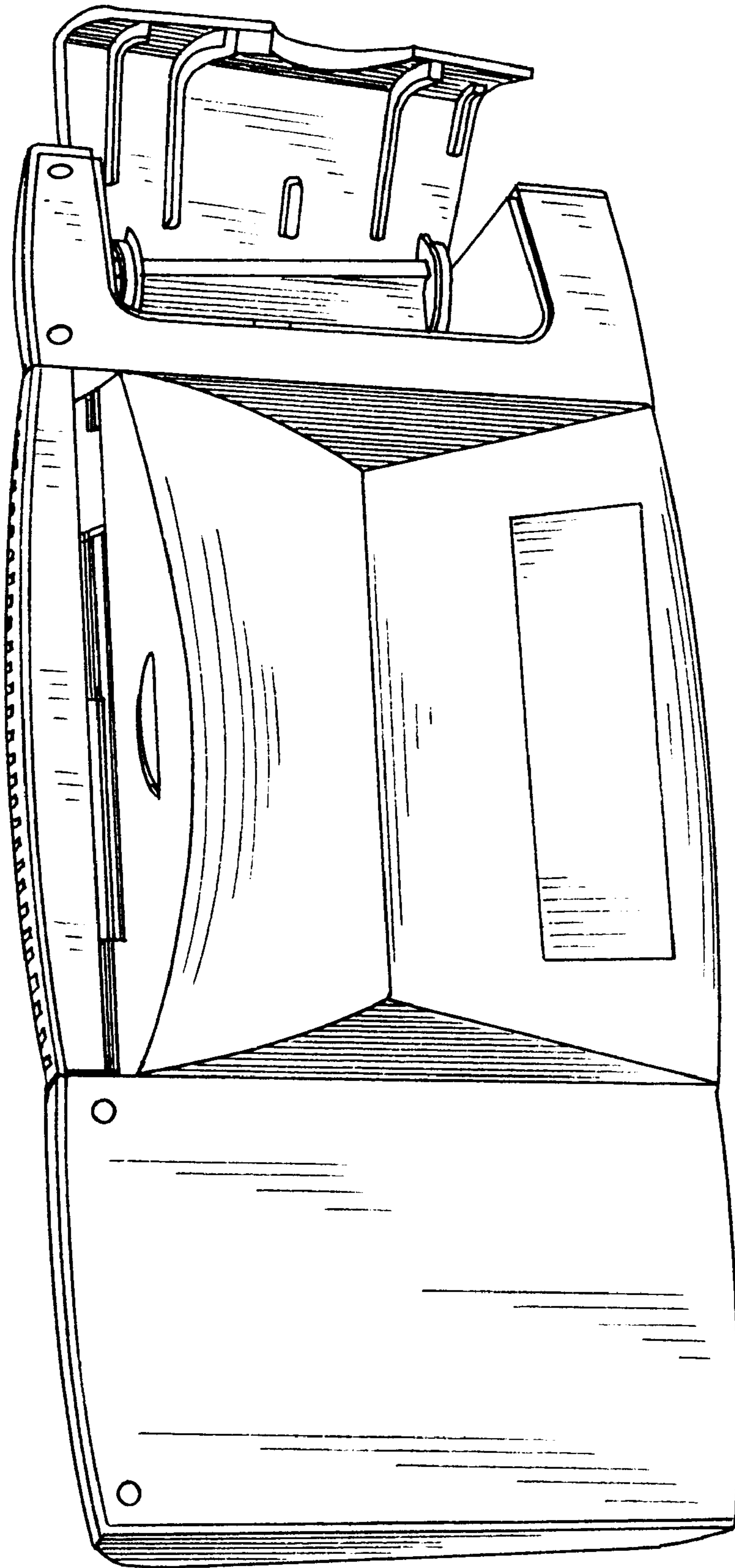
F I G . 6



F I G . 7



F I G . 8



F I G . 9