



US00D438892S

(12) **United States Design Patent**
Suzuki et al.

(10) **Patent No.:** **US D438,892 S**

(45) **Date of Patent:** **** Mar. 13, 2001**

(54) **PHOTOSENSITIVE DRUM FOR PRINTER**

5,937,240 * 8/1999 Kanno et al. 399/111

(75) Inventors: **Yuichiro Suzuki; Masayuki Ainoya;**
Yoshitaka Fujinuma; Junji
Shirakawa, all of Ibaraki (JP)

* cited by examiner

Primary Examiner—Caron D. Veynar

(73) Assignee: **Hitachi Koki Co., Ltd.**, Tokyo (JP)

(74) *Attorney, Agent, or Firm*—Sughrue, Mion, Zinn,
Macpeak & Seas, PLLC

(**) Term: **14 Years**

(57) **CLAIM**

(21) Appl. No.: **29/118,884**

The ornamental design for a photosensitive drum for printer,
as shown.

(22) Filed: **Feb. 18, 2000**

DESCRIPTION

(30) **Foreign Application Priority Data**

Aug. 20, 1999 (JP) 11-22264

FIG. 1 is a perspective view of the front, bottom and left side
of a photosensitive drum for printer showing our new
design;

(51) **LOC (7) Cl.** **16-03**

FIG. 2 is a front view thereof;

(52) **U.S. Cl.** **D18/40**

FIG. 3 is a rear view thereof;

(58) **Field of Search** D18/40, 43, 56;
399/24, 25, 26, 262; 222/167, DIG. 1

FIG. 4 is a left side view thereof;

FIG. 5 is a right side view thereof;

(56) **References Cited**

FIG. 6 is a top view thereof; and,

FIG. 7 is a bottom view thereof.

U.S. PATENT DOCUMENTS

D. 430,196 * 8/2000 Ashikari et al. D18/43

1 Claim, 7 Drawing Sheets

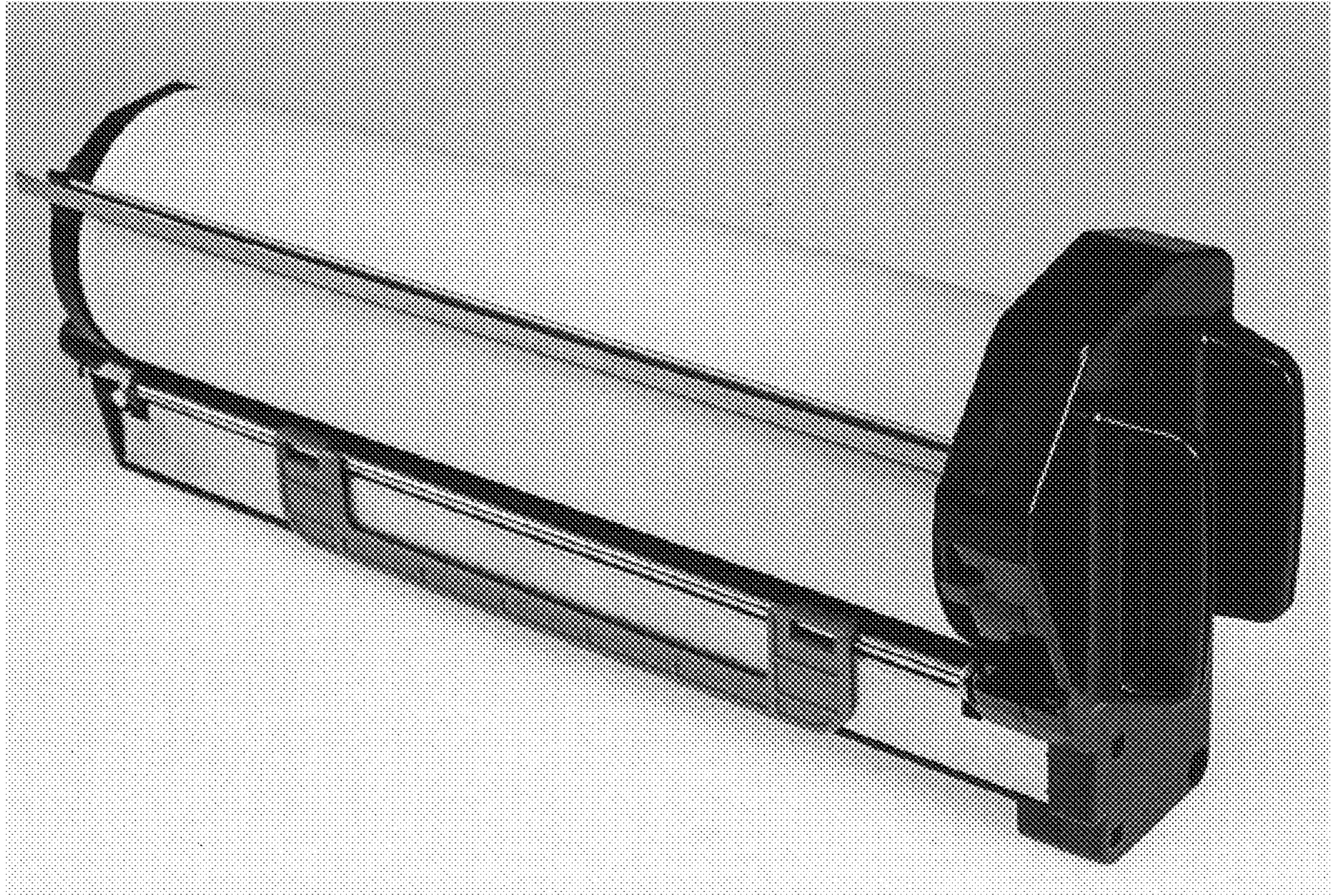


FIG. 1

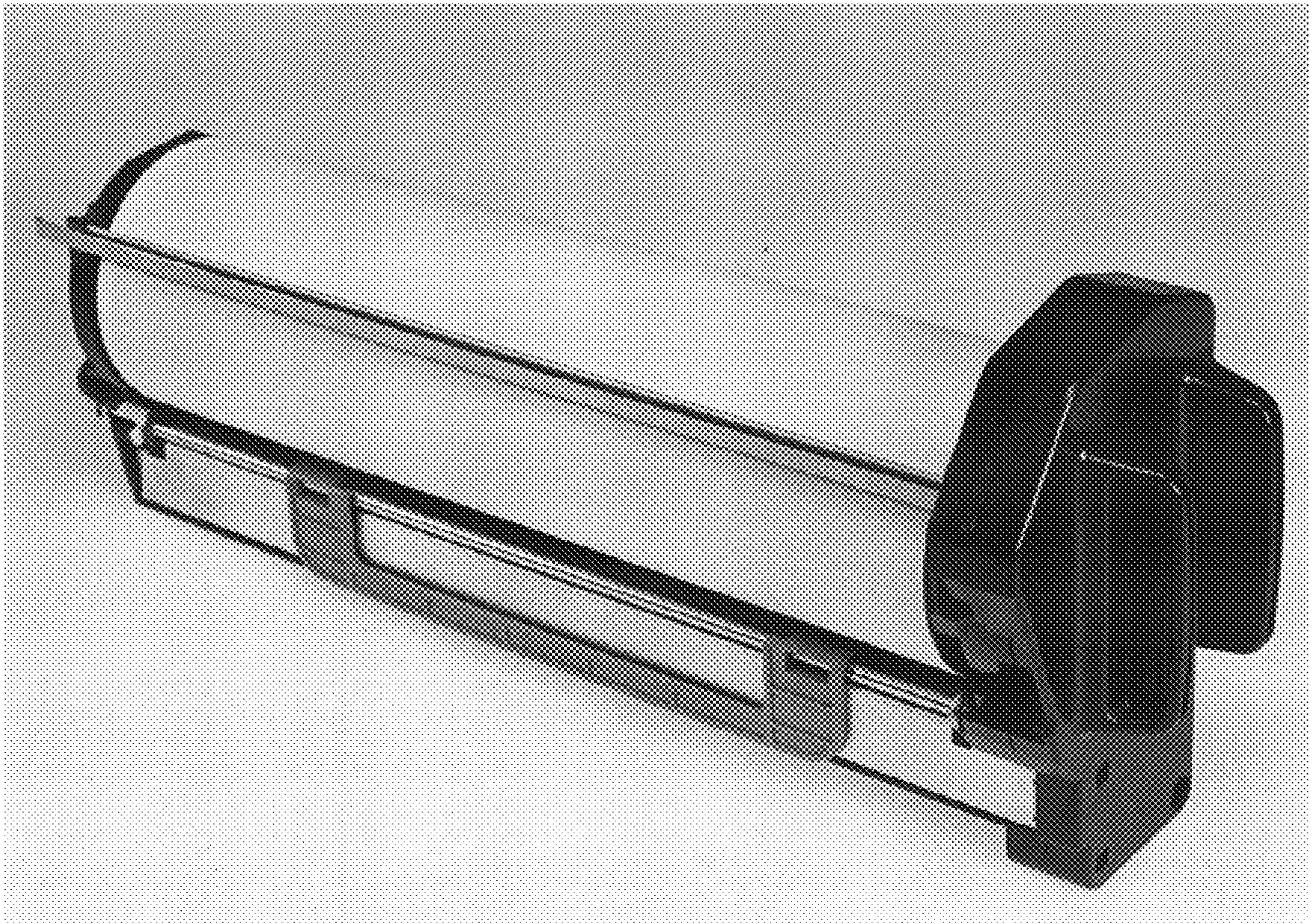


FIG. 2

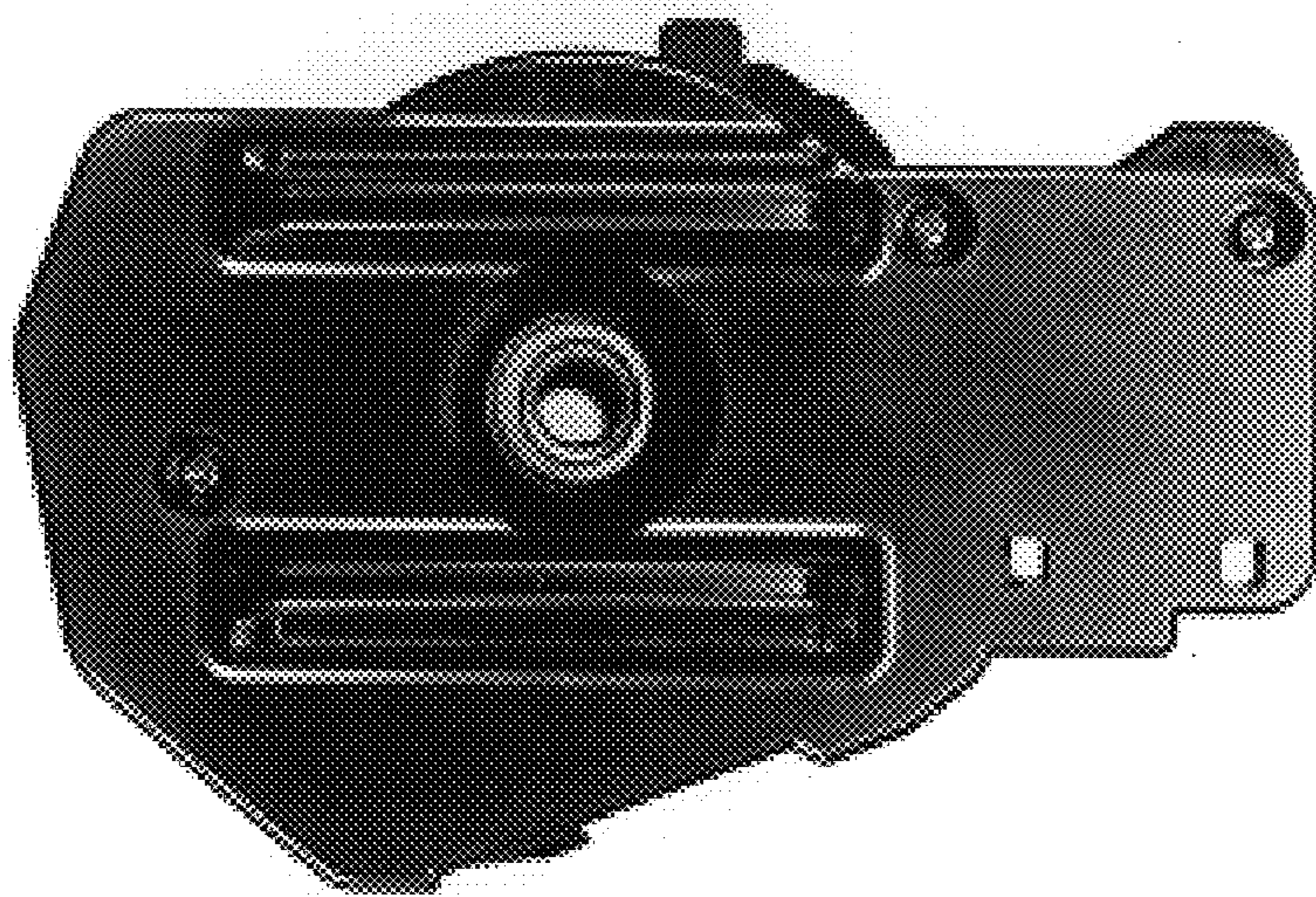


FIG. 3

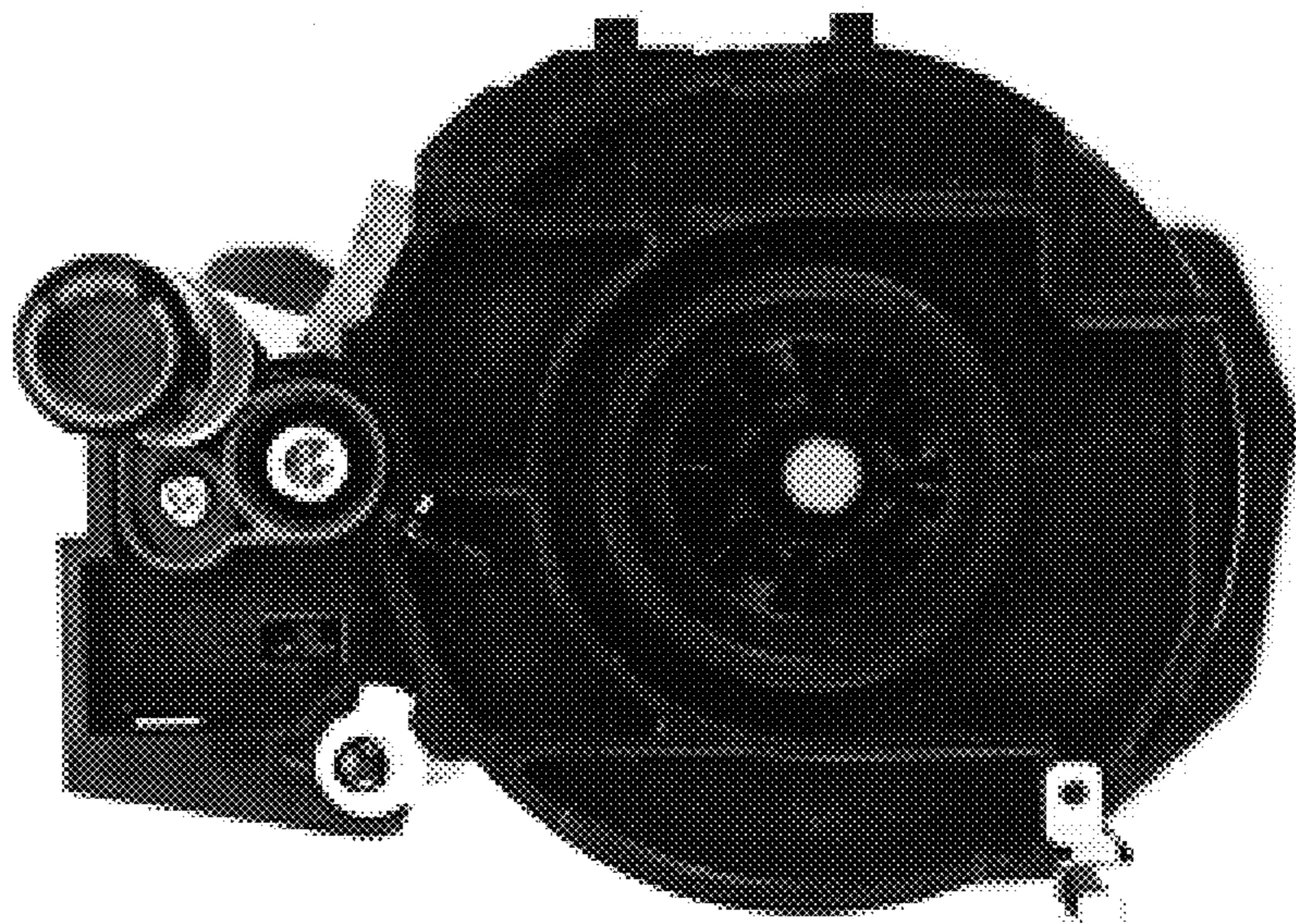


FIG. 4

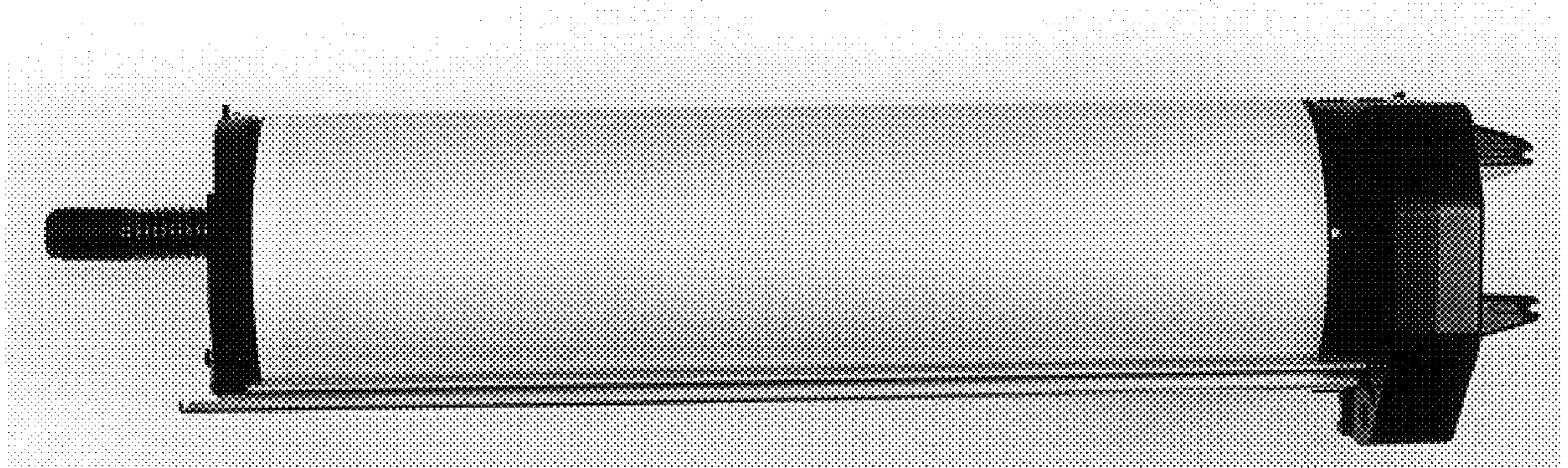


FIG. 5

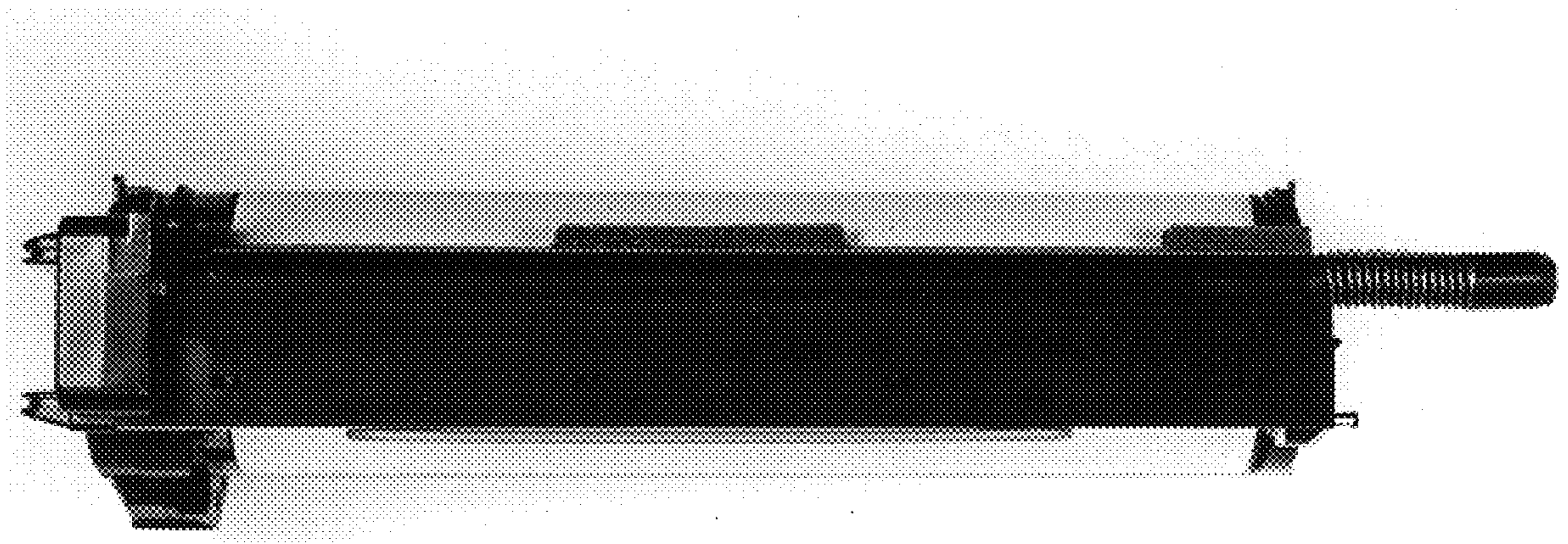


FIG. 6

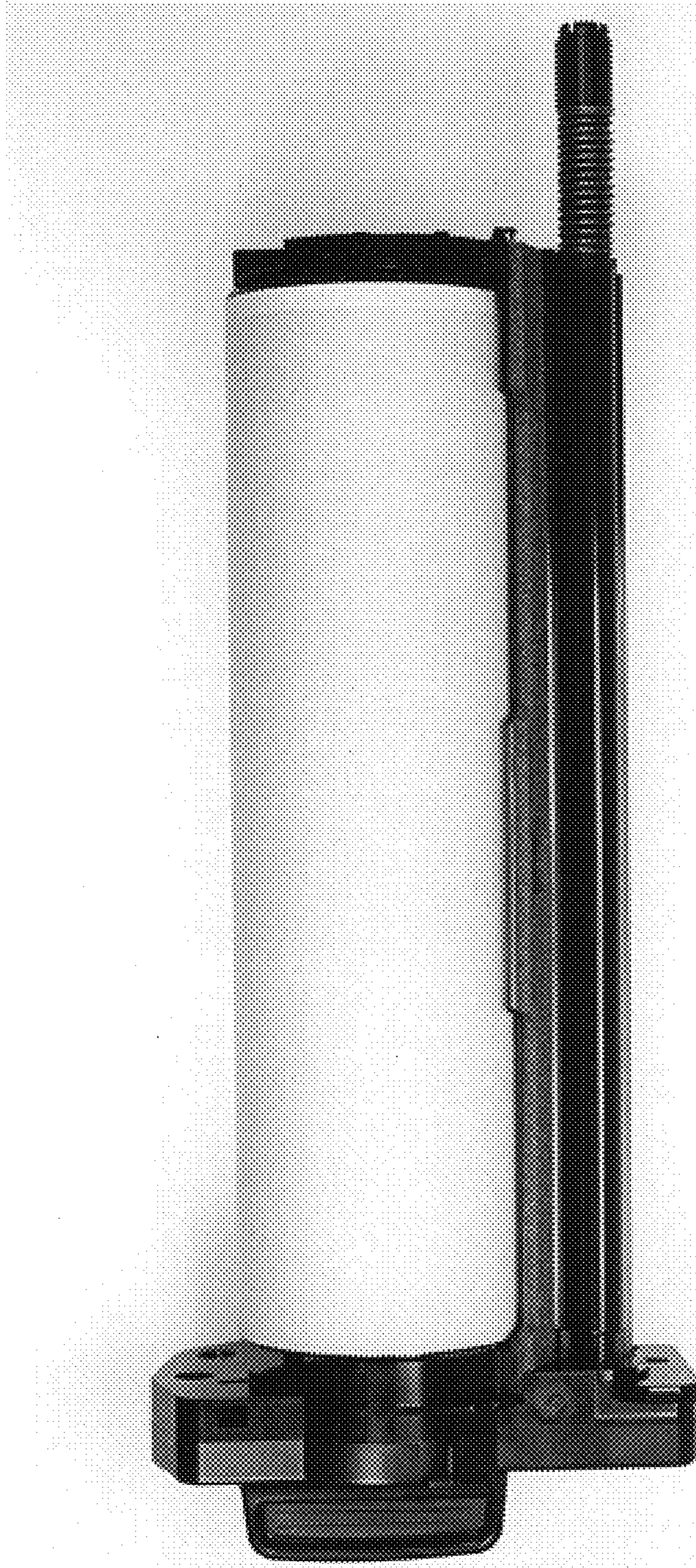


FIG. 7

