



US00D438891S

(12) **United States Design Patent**  
**Hoshino et al.**

(10) **Patent No.:** **US D438,891 S**

(45) **Date of Patent:** **\*\* Mar. 13, 2001**

(54) **CLEANING CARTRIDGE**

D. 418,156 \* 12/1999 Maeda ..... D18/43  
6,070,029 \* 5/2000 Nishiawatoko et al. .... 399/111

(75) Inventors: **Hirohisa Hoshino; Hiroyuki Ohtsuka;**  
**Seiichi Irokawa; Hidenobu Kondo;**  
**Yasuhito Takahashi,** all of Ebina (JP)

\* cited by examiner

(73) Assignee: **Fuji Xerox Co., Ltd.,** Tokyo (JP)

*Primary Examiner*—Caron D. Veynar  
(74) *Attorney, Agent, or Firm*—Oliff & Berridge, PLC

(\*\*) Term: **14 Years**

(57) **CLAIM**

(21) Appl. No.: **29/108,469**

The ornamental design for a cleaning cartridge, as shown and described.

(22) Filed: **Jul. 29, 1999**

(30) **Foreign Application Priority Data**

Feb. 1, 1999 (JP) ..... 11-1908

(51) **LOC (7) Cl.** ..... **16-03**

(52) **U.S. Cl.** ..... **D18/40**

(58) **Field of Search** ..... D18/40, 43, 56;  
399/24, 25, 27, 31, 33, 34, 35, 107, 110,  
111, 115, 119, 120, 123; 222/DIG. 1

**DESCRIPTION**

FIG. 1 is a perspective view of the top, front and right side of a cleaning cartridge showing our new design;

FIG. 2 is a top plan view thereof;

FIG. 3 is a front view thereof;

FIG. 4 is a left side view thereof;

FIG. 5 is a right side view thereof;

FIG. 6 is a rear view thereof; and,

FIG. 7 is a bottom view thereof.

(56) **References Cited**

**U.S. PATENT DOCUMENTS**

D. 377,663 \* 1/1997 Ziegler ..... D18/43

**1 Claim, 4 Drawing Sheets**

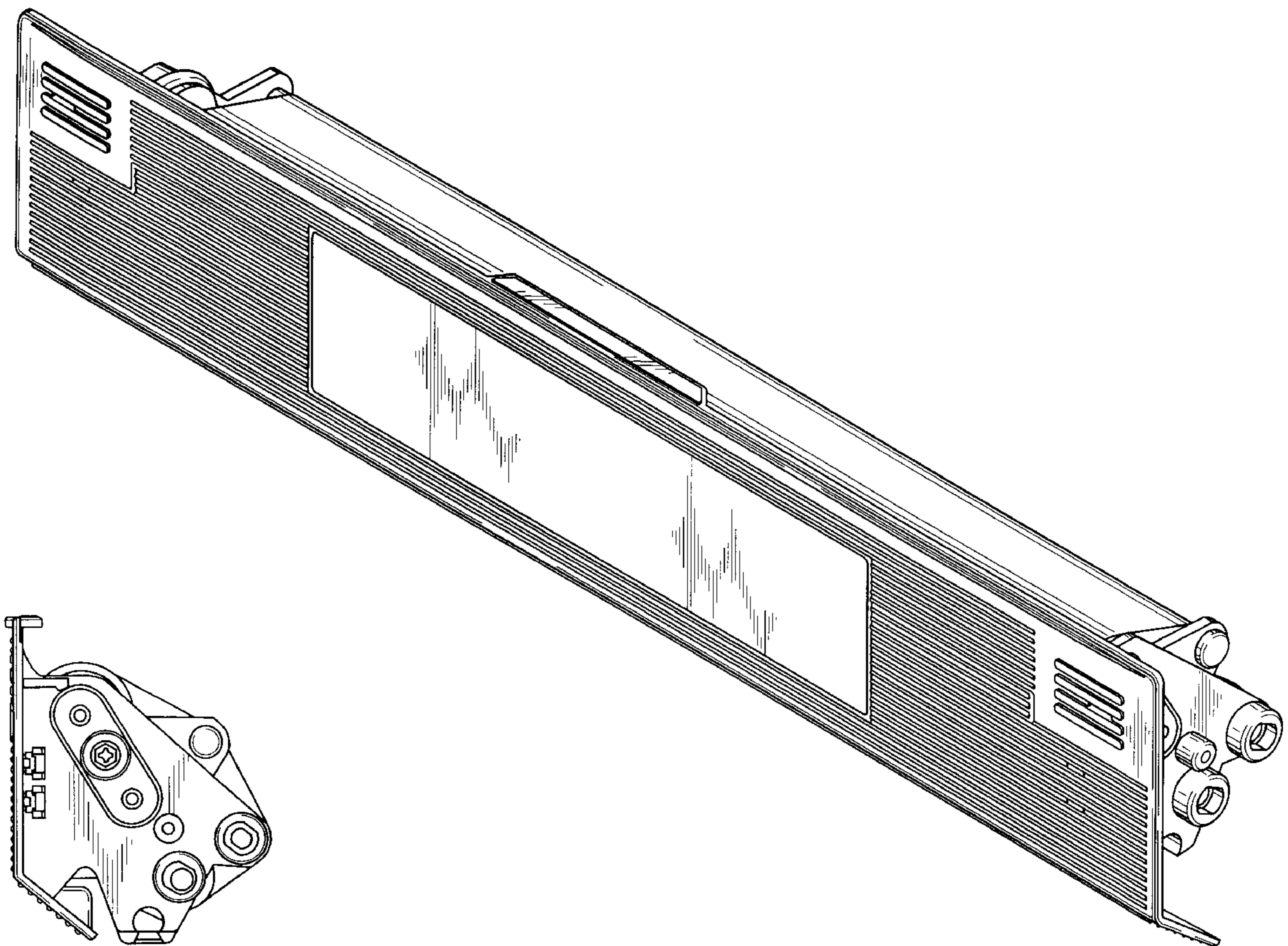


FIG. 1

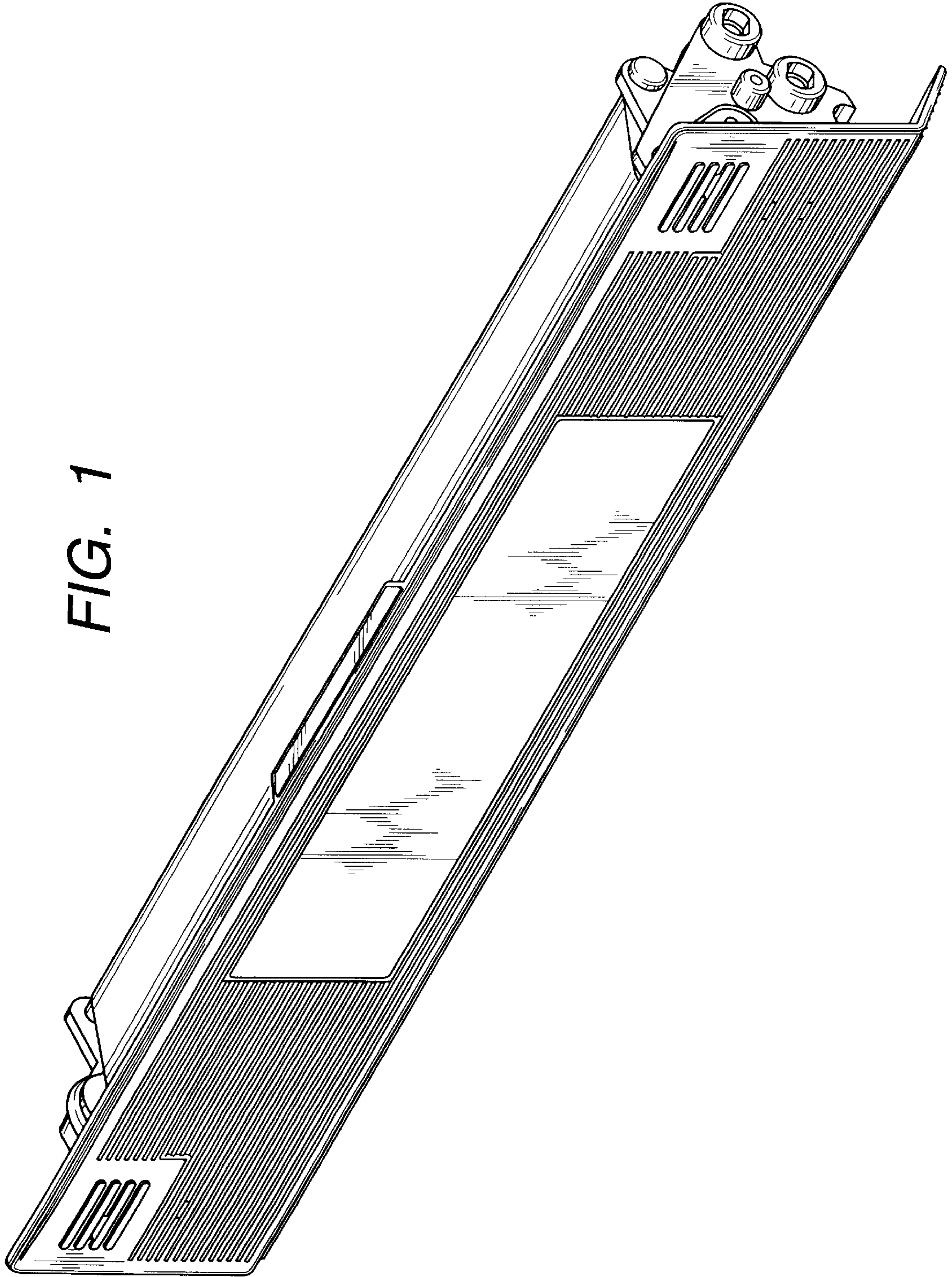




FIG. 2

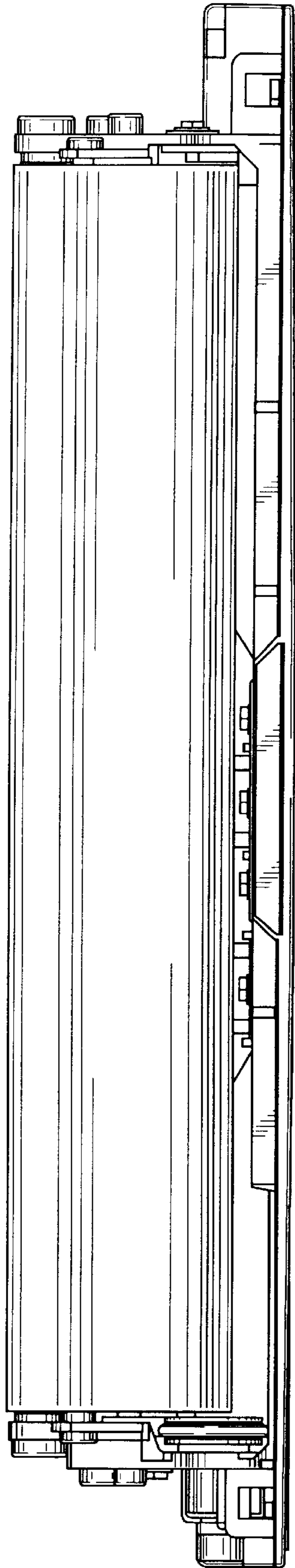
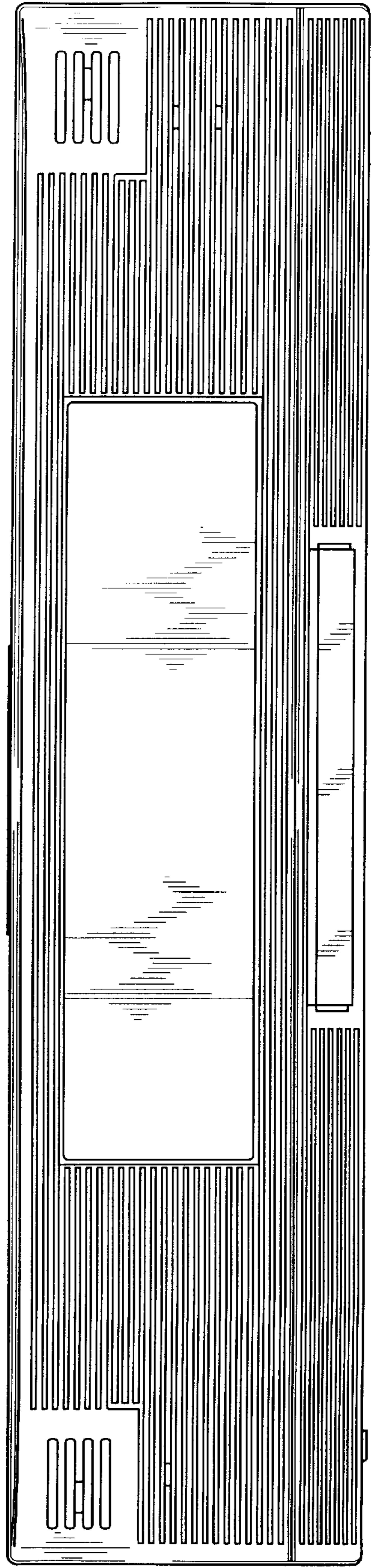
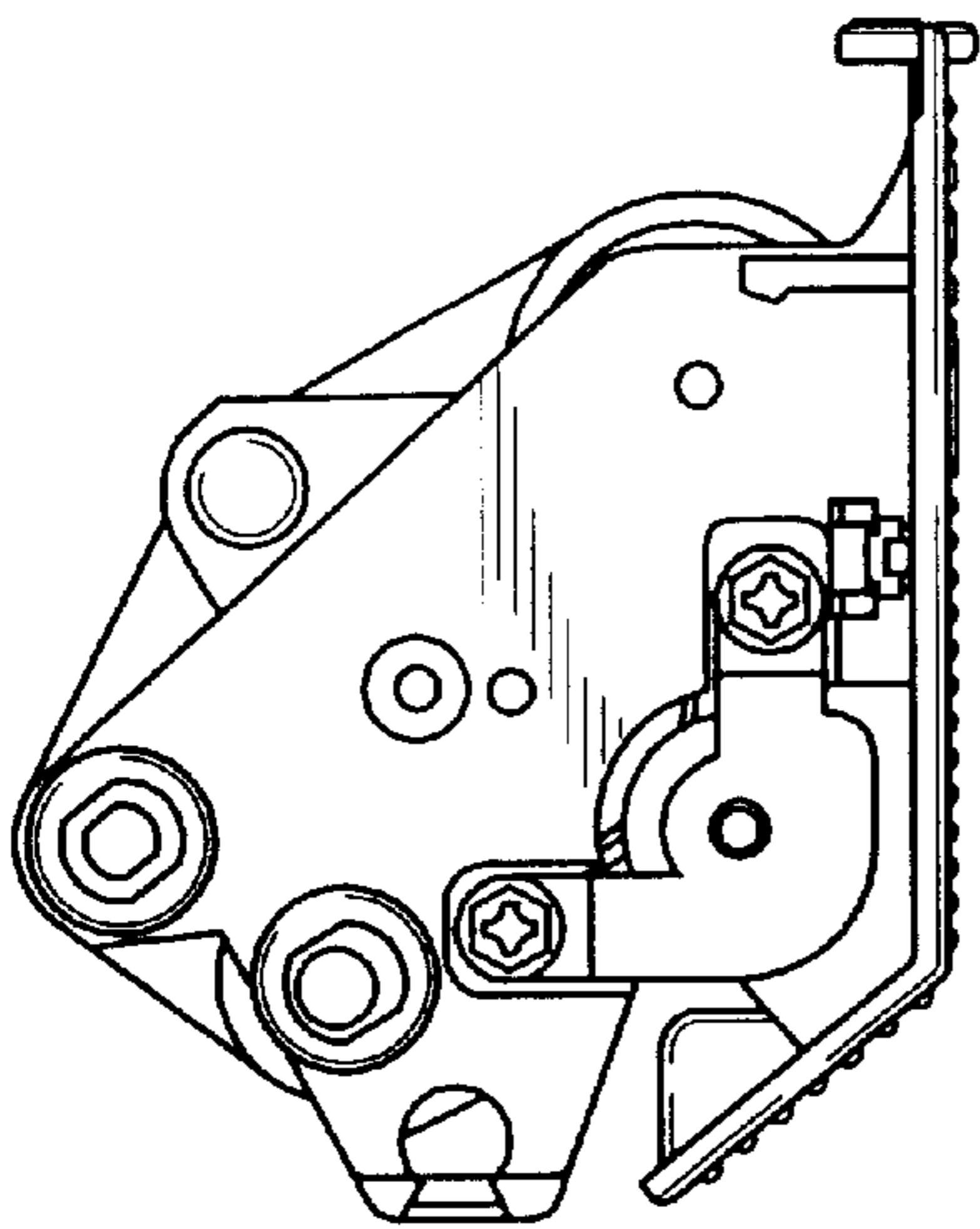


FIG. 3



*FIG. 4*



*FIG. 5*

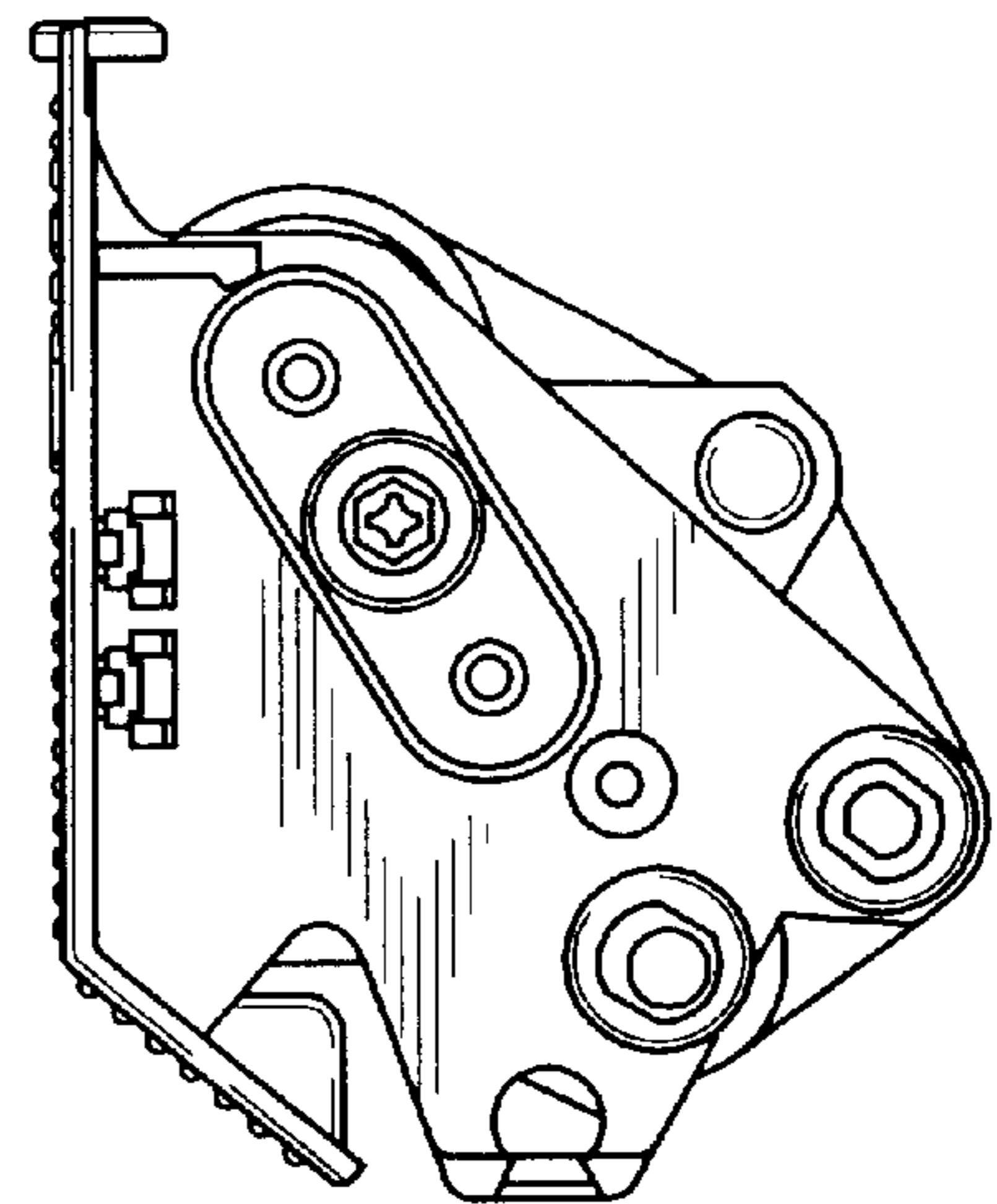


FIG. 6

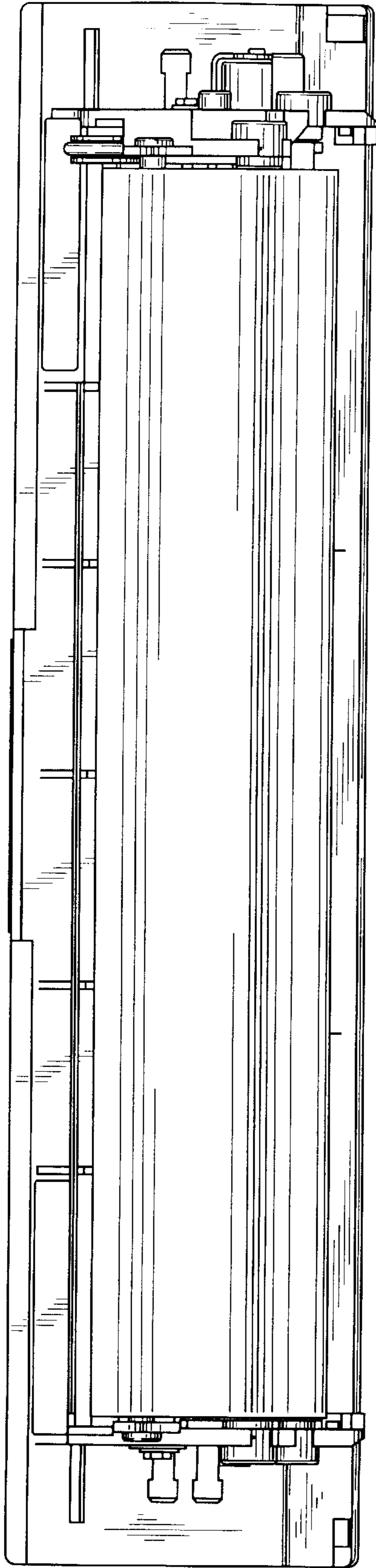


FIG. 7

