



US00D438890S

(12) **United States Design Patent**
Takimura

(10) **Patent No.:** **US D438,890 S**

(45) **Date of Patent:** **** Mar. 13, 2001**

(54) **ELECTRONIC COPIER**

(75) **Inventor:** **Ryo Takimura, Tokyo (JP)**

(73) **Assignee:** **Konica Corporation, Tokyo (JP)**

(**) **Term:** **14 Years**

(21) **Appl. No.:** **29/127,031**

(22) **Filed:** **Jul. 25, 2000**

(30) **Foreign Application Priority Data**

Jan. 27, 2000 (JP) 12-001055

(51) **LOC (7) Cl. 16-03**

(52) **U.S. Cl. D18/39**

(58) **Field of Search D18/36-39; 399/1-7,
399/130, 151, 411**

(56) **References Cited**

U.S. PATENT DOCUMENTS

D. 362,457 * 9/1995 Shimizu D18/39

D. 374,248 * 10/1996 Agata et al. D18/39

D. 384,692 * 10/1997 Takenouchi D18/39

D. 390,256 * 2/1998 Shibata D18/39

D. 423,558 * 4/2000 Takimura D18/39

* cited by examiner

Primary Examiner—Caron D. Veynar

(74) *Attorney, Agent, or Firm*—Frishauf, Holtz, Goodman,
Langer & Chick, P.C.

(57) **CLAIM**

The ornamental design for an electronic copier, as shown.

DESCRIPTION

FIG. 1 is a front elevational view of an electronic copier showing my new design;

FIG. 2 is a rear elevational view thereof;

FIG. 3 is a top plan view thereof;

FIG. 4 is a bottom plan view thereof;

FIG. 5 is a right side elevational view thereof;

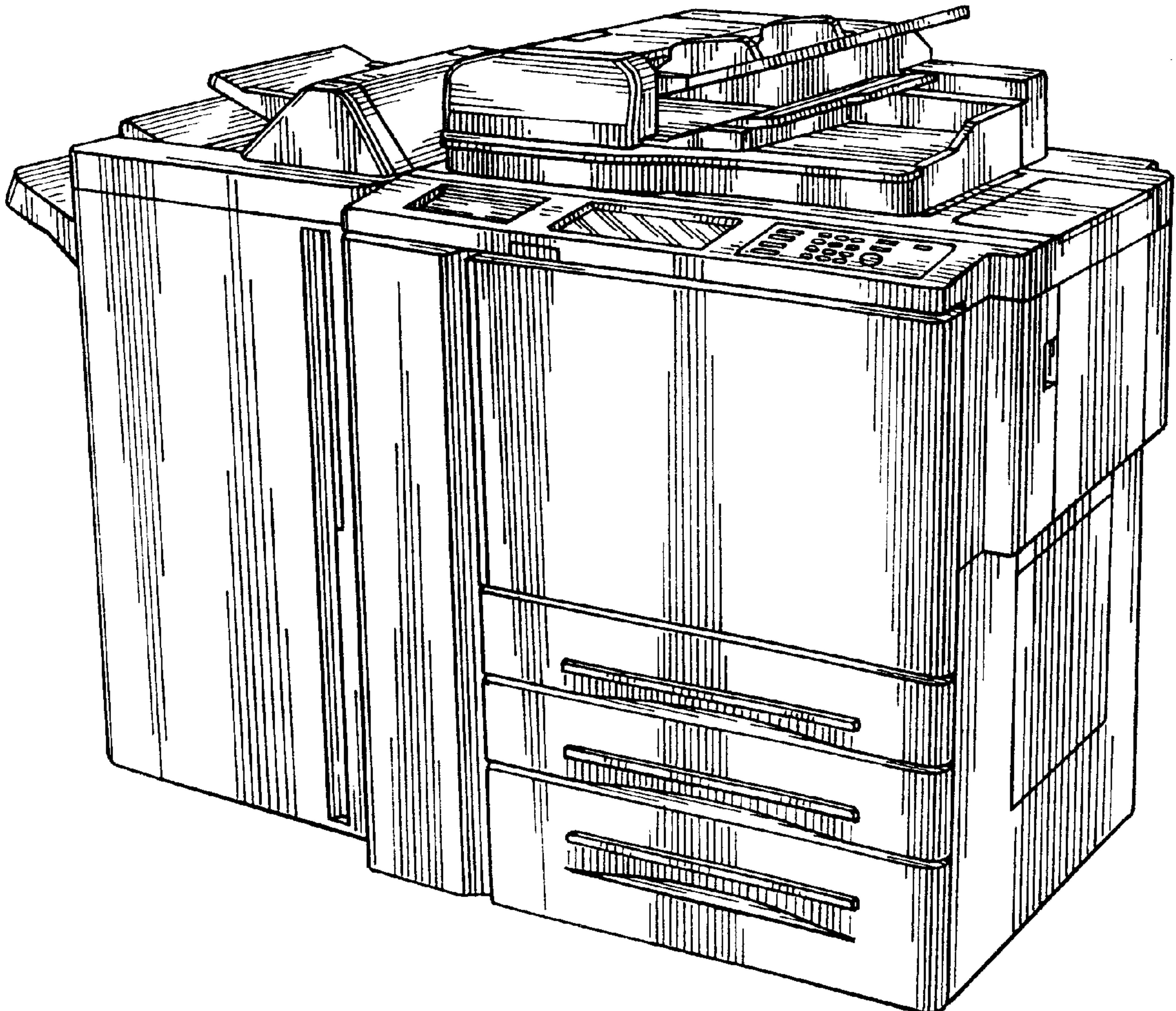
FIG. 6 is a left side elevational view thereof;

FIG. 7 is a front, right side and top perspective view thereof;

and,

FIG. 8 is a front, left side and top perspective view thereof.

1 Claim, 4 Drawing Sheets



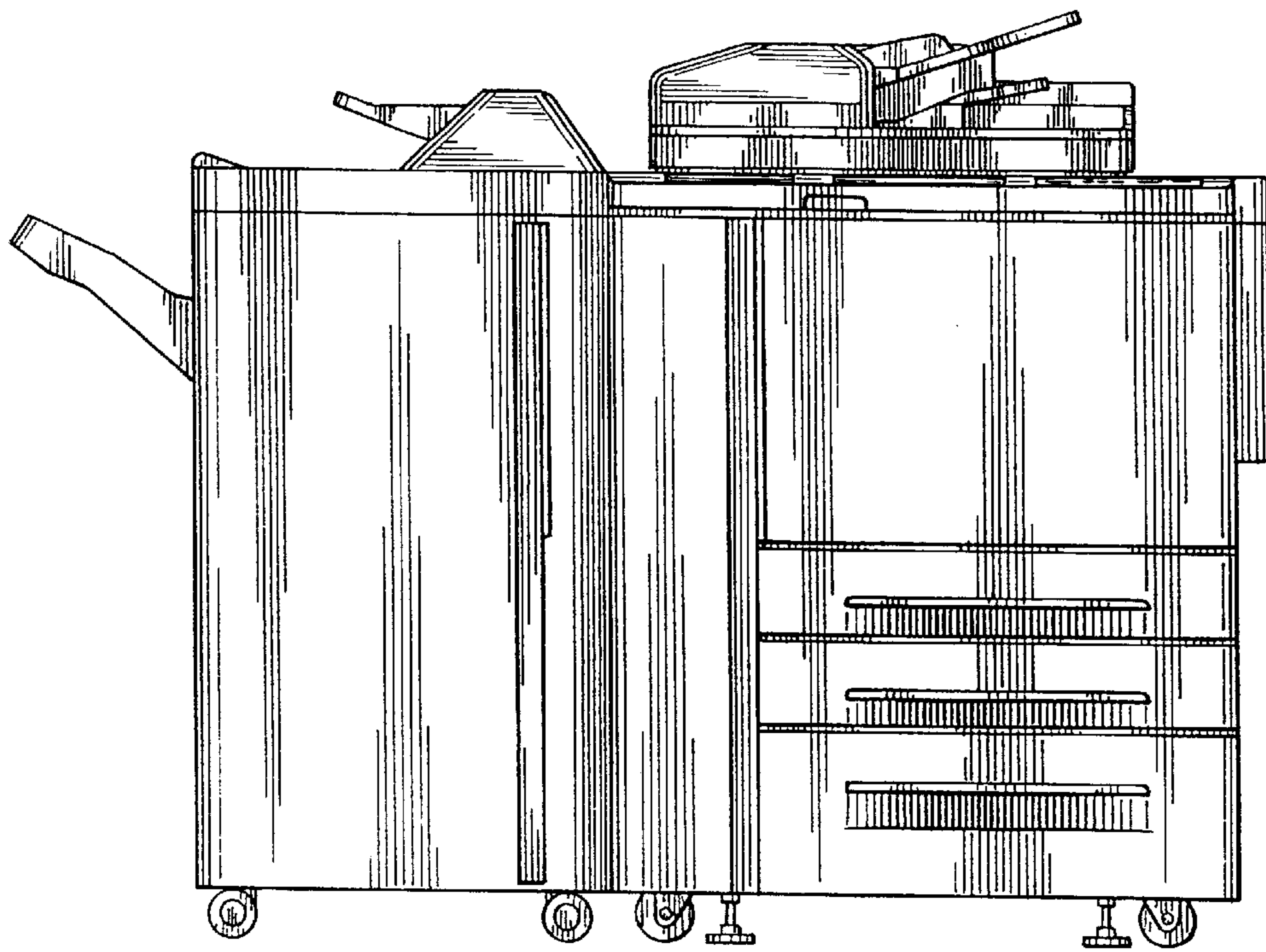


Fig. 1

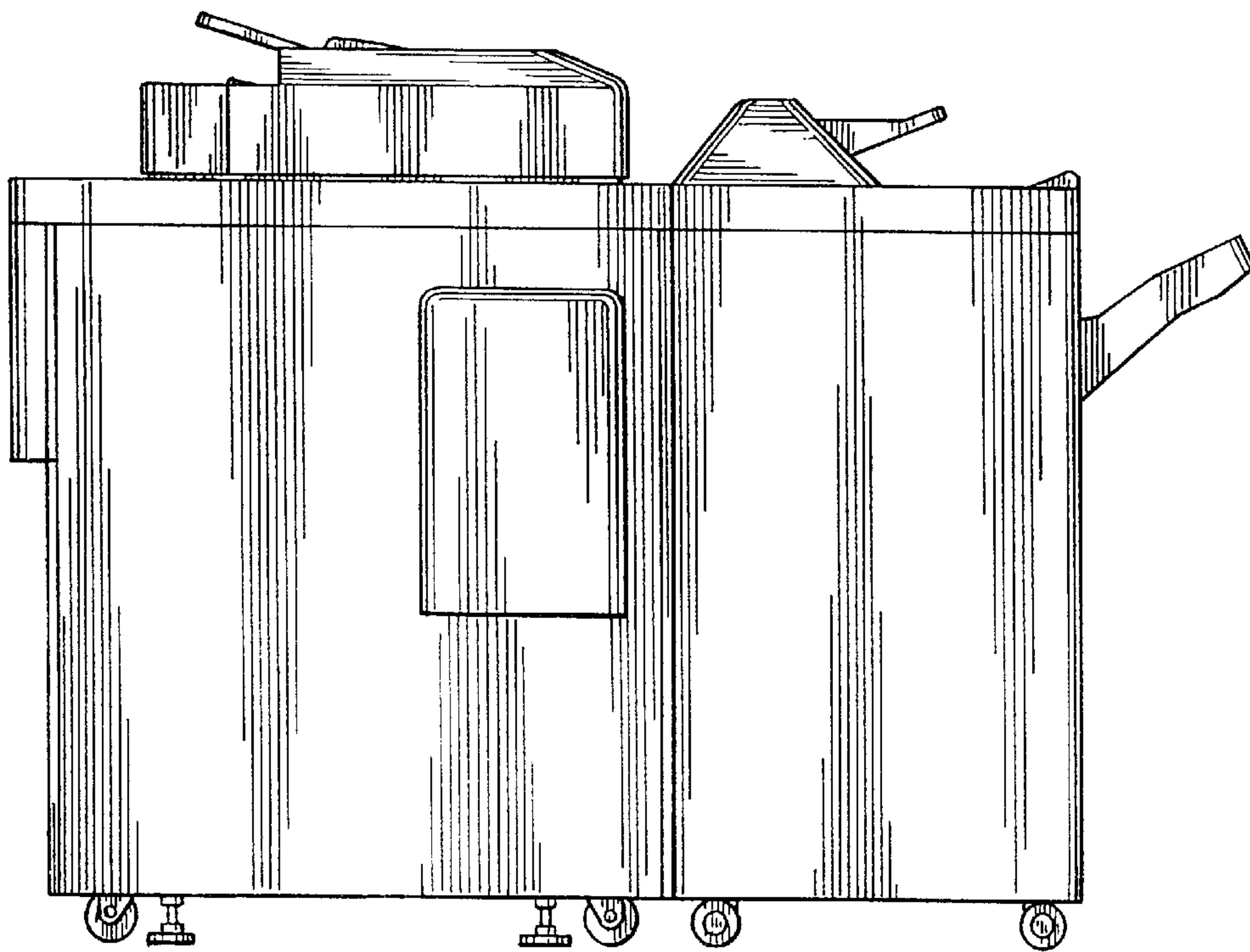


Fig. 2

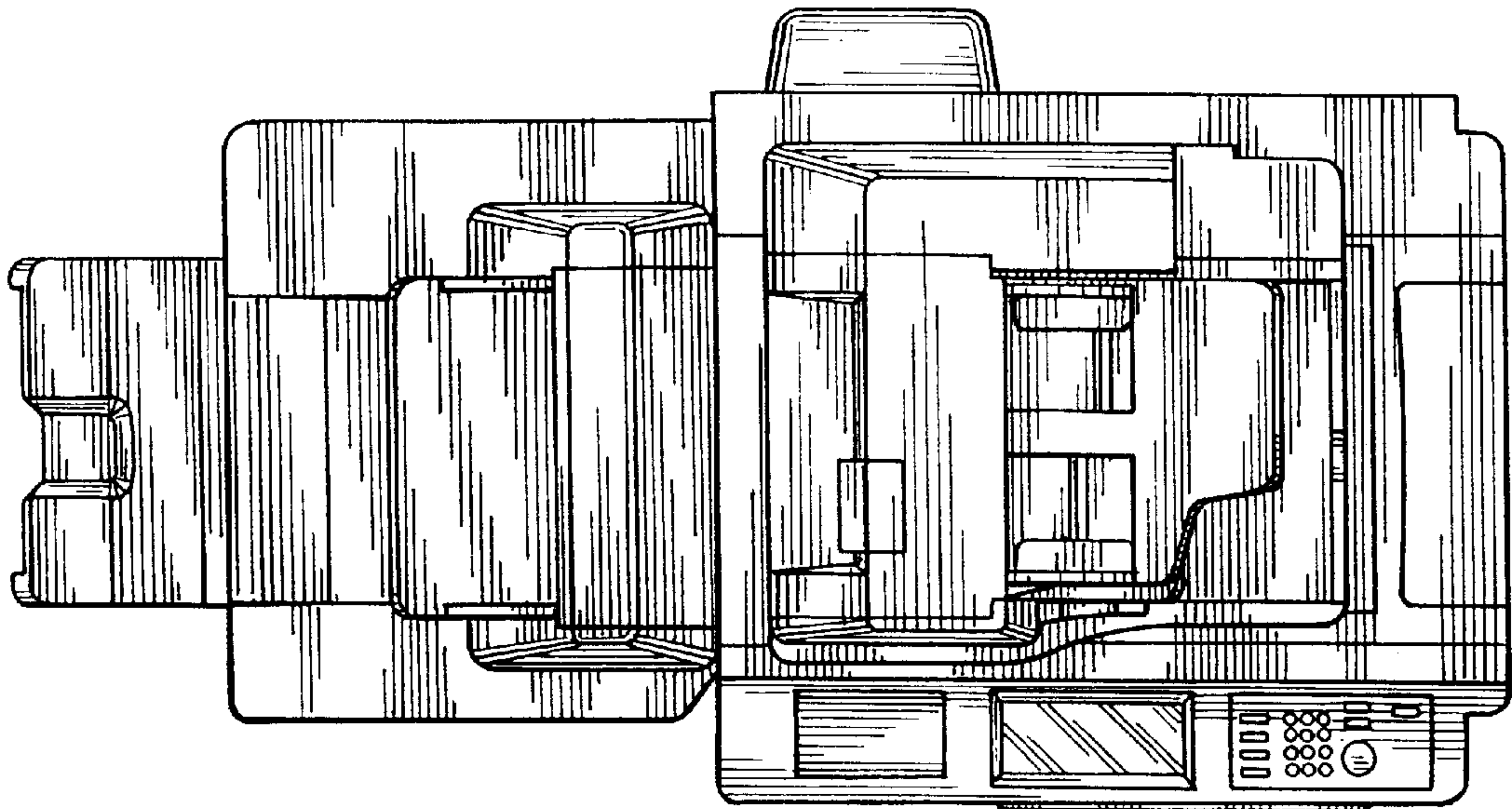


Fig. 3

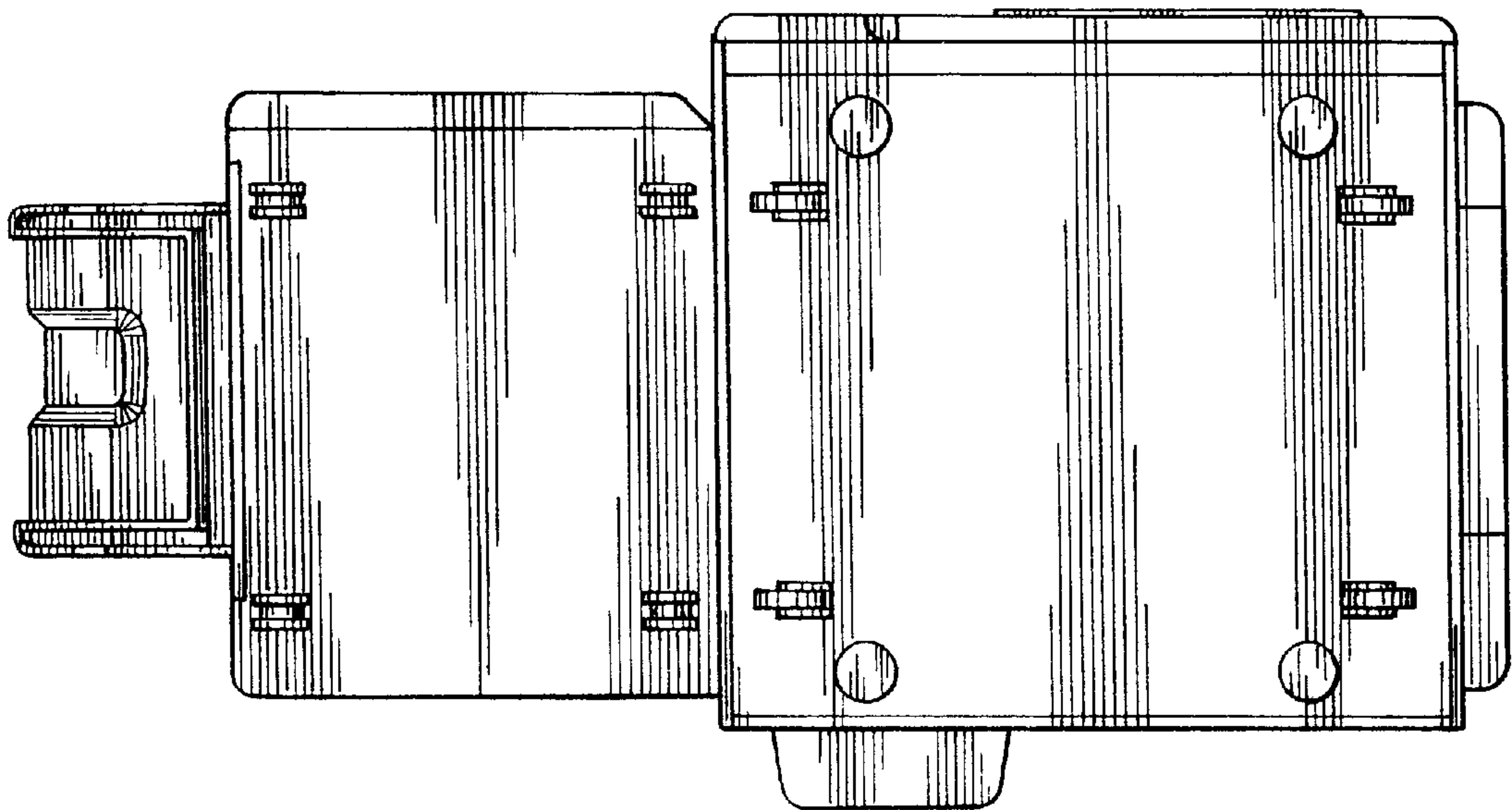


Fig. 4

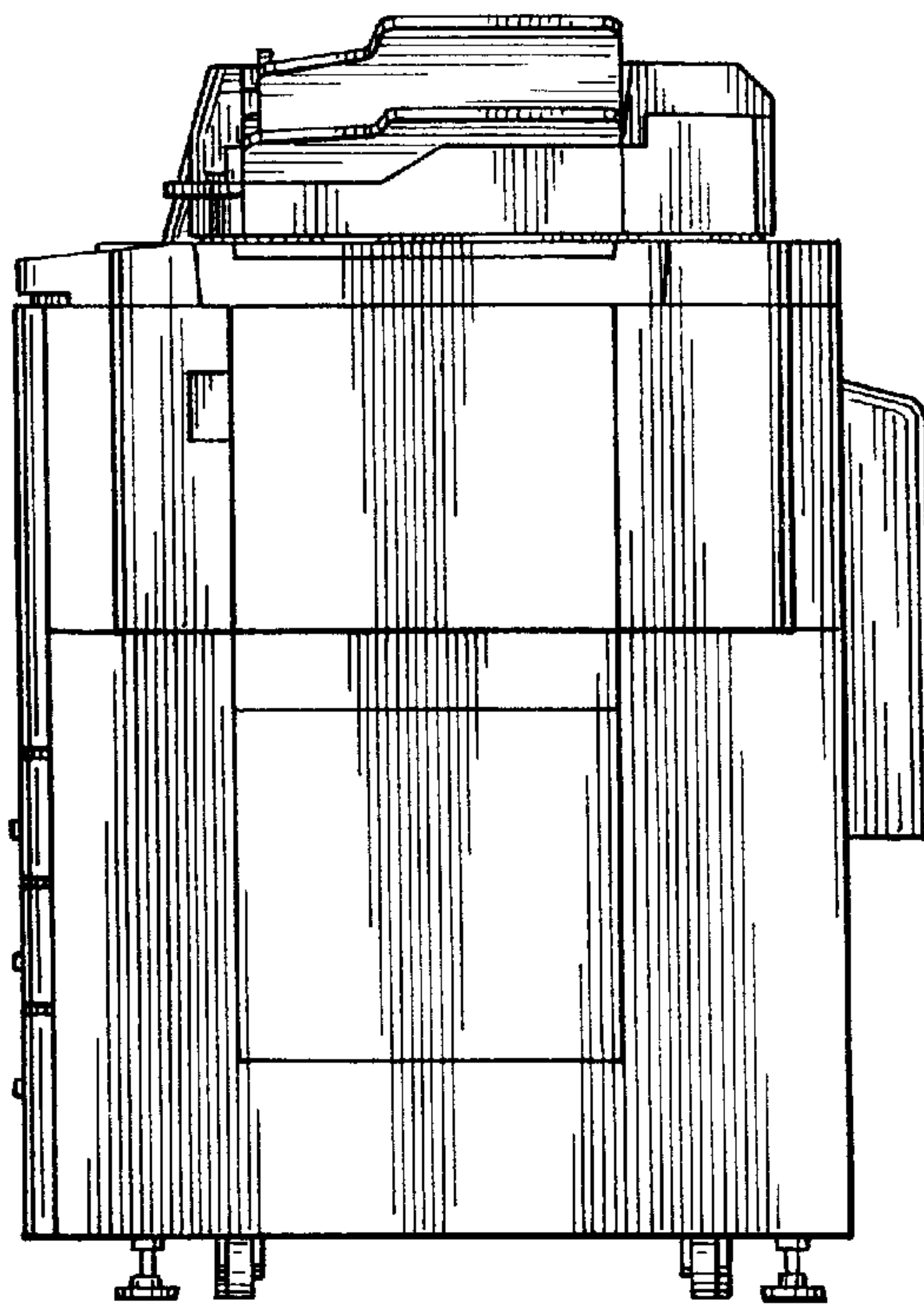


Fig. 5

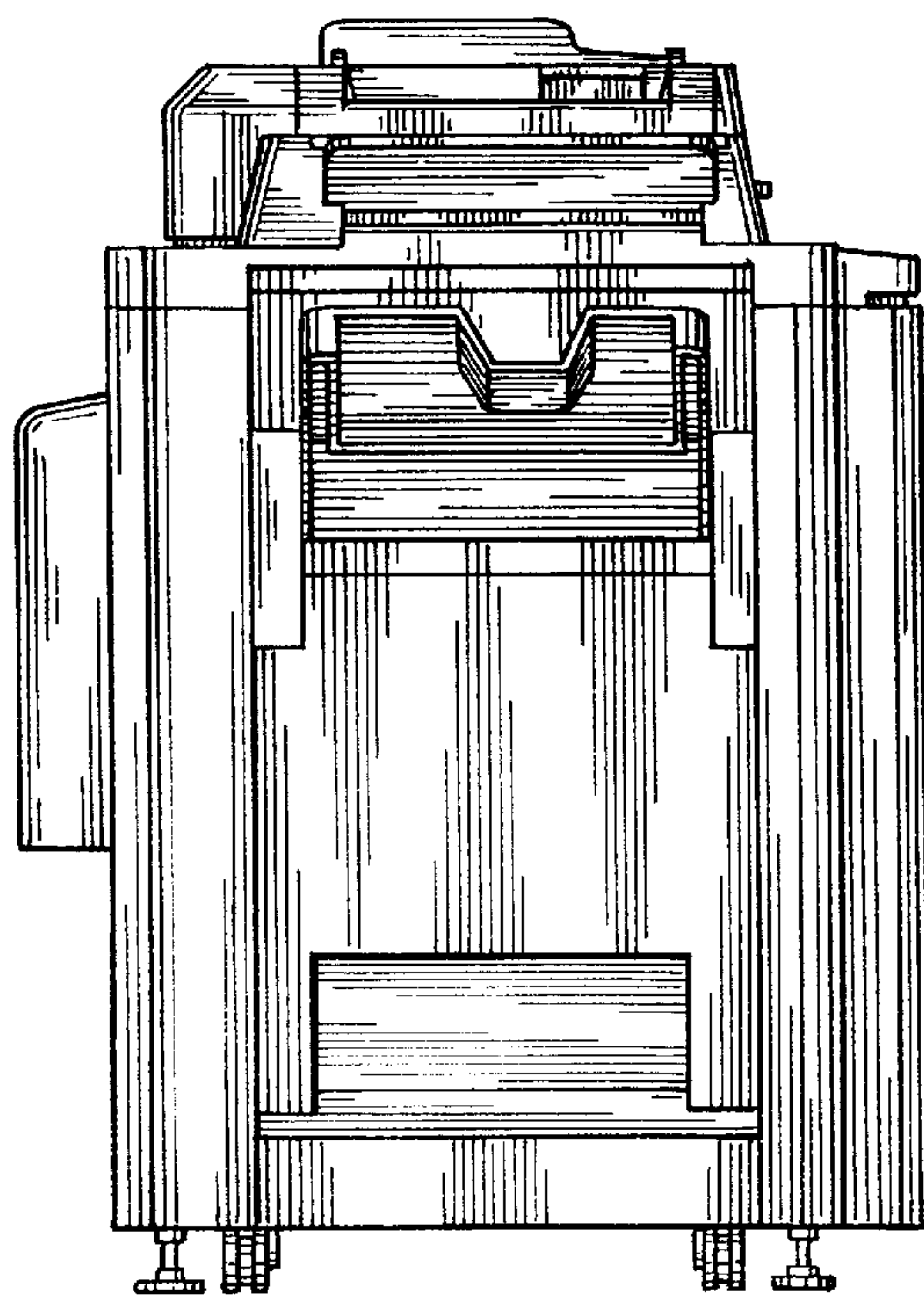


Fig. 6

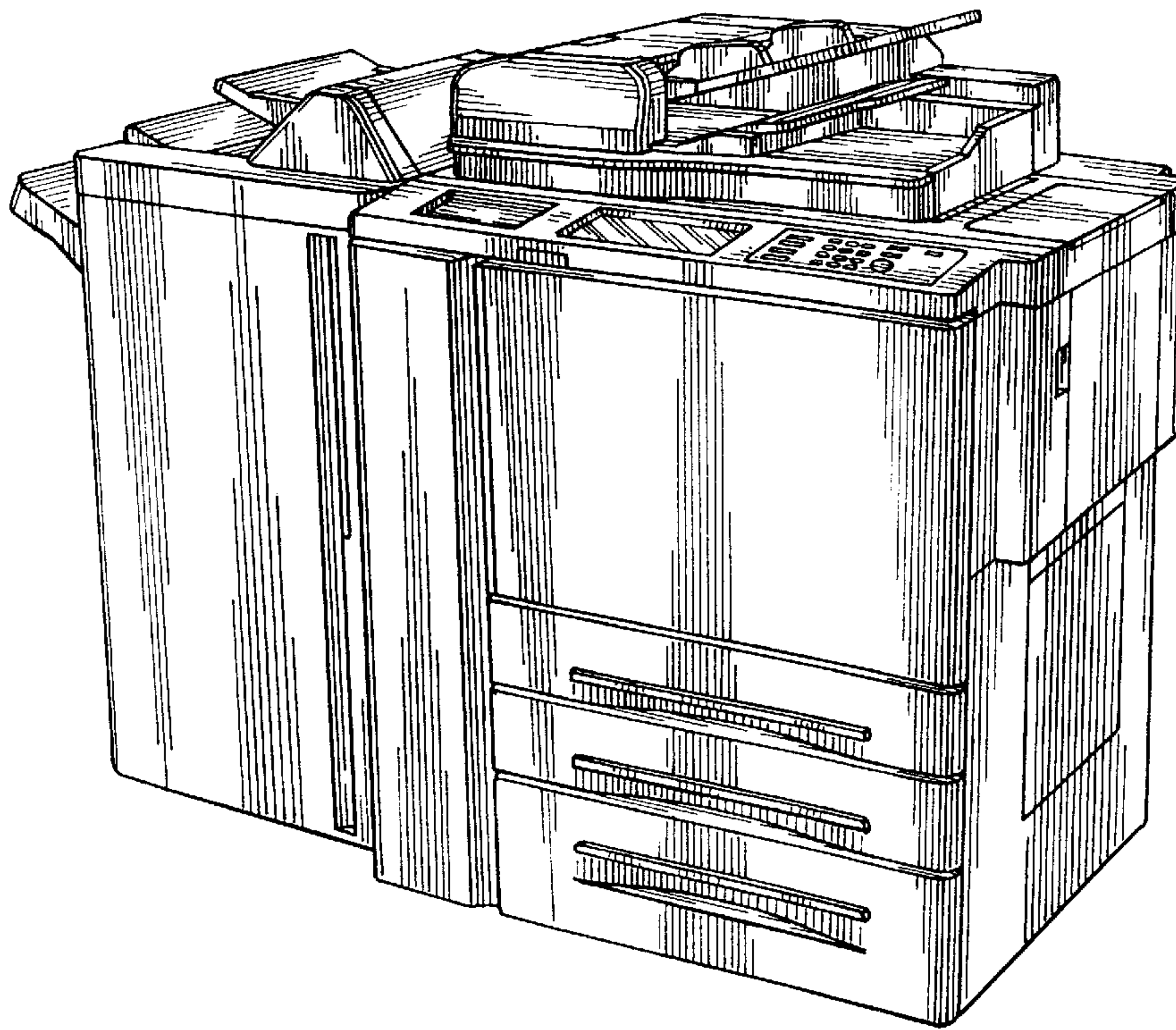


Fig. 7

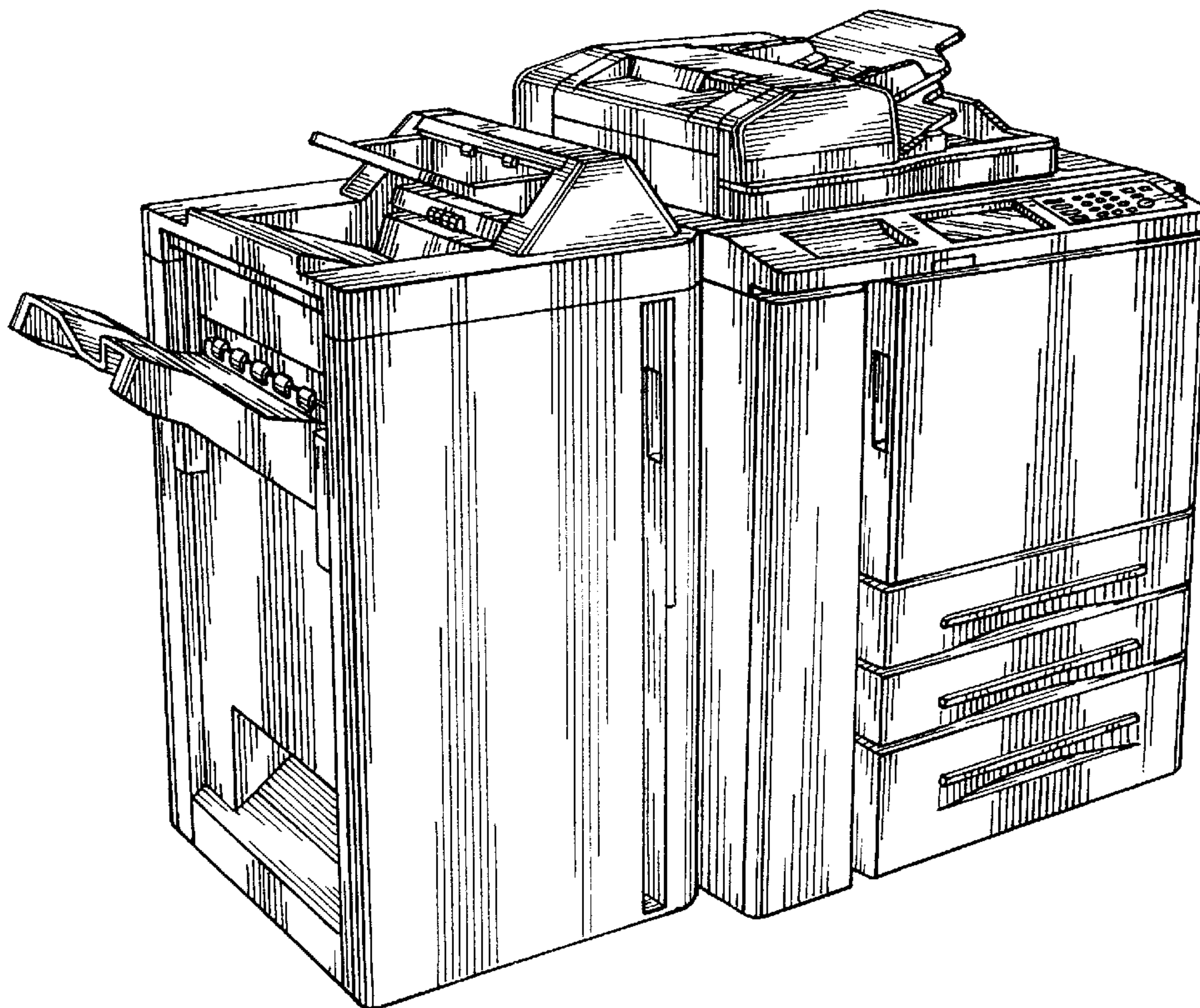


Fig. 8