



US00D43883S

(12) **United States Design Patent**
Ishibashi et al.

(10) **Patent No.:** **US D438,883 S**
(45) **Date of Patent:** **** Mar. 13, 2001**

(54) **VIDEO CAMERA WITH DIGITAL VIDEO DISK PLAYER**

(75) Inventors: **Atsushi Ishibashi**, Kokubunji;
Atsutoshi Sato, Tachikawa, both of (JP)

(73) Assignee: **Hitachi, Ltd.**, Tokyo (JP)

(**) Term: **14 Years**

(21) Appl. No.: **29/120,217**

(22) Filed: **Mar. 14, 2000**

Related U.S. Application Data

(62) Division of application No. 29/092,849, filed on Aug. 27, 1998, now Pat. No. Des. 430,188.

(51) **LOC (7) Cl.** **16-05**

(52) **U.S. Cl.** **D16/219; D14/136; D14/156; D16/202**

(58) **Field of Search** D14/135, 136, D14/156, 496; D16/200, 202, 208, 209, 218, 219, 237; 348/373-376; 358/906, 909.1; 396/429, 439

(56) **References Cited**

U.S. PATENT DOCUMENTS

- D. 364,884 * 12/1995 Shindo D16/202
- D. 384,088 * 9/1997 Isozaki et al. D16/202
- D. 402,979 * 12/1998 Ogasawara D14/136

D. 411,219 * 6/1999 Sumita D16/219

* cited by examiner

Primary Examiner—Adir Aronovich

(74) *Attorney, Agent, or Firm*—Antonelli, Terry, Stout & Kraus, LLP

(57) **CLAIM**

The ornamental design for a video camera with digital video disk player, as shown and described.

DESCRIPTION

FIG. 1 is a front, top and right side perspective view of a video camera with digital video disk player showing our new design;

FIG. 2 is a top plan view thereof;

FIG. 3 is a front elevational view thereof;

FIG. 4 is a left side elevational view thereof;

FIG. 5 is a right side elevational view thereof;

FIG. 6 is a bottom plan view thereof; and,

FIG. 7 is a rear side elevational view thereof.

A video camera with digital video disk player has a lens portion on one end of a compressed and rectangular body, and an outward form of the lens portion partly projects from the rectangular body. The design provides a soft and friendly impression in a rectilinearly appearance.

The broken line showing of FIGS. 1-7 is for illustrative purposes of the environment only and forms no part of the claimed design.

1 Claim, 4 Drawing Sheets

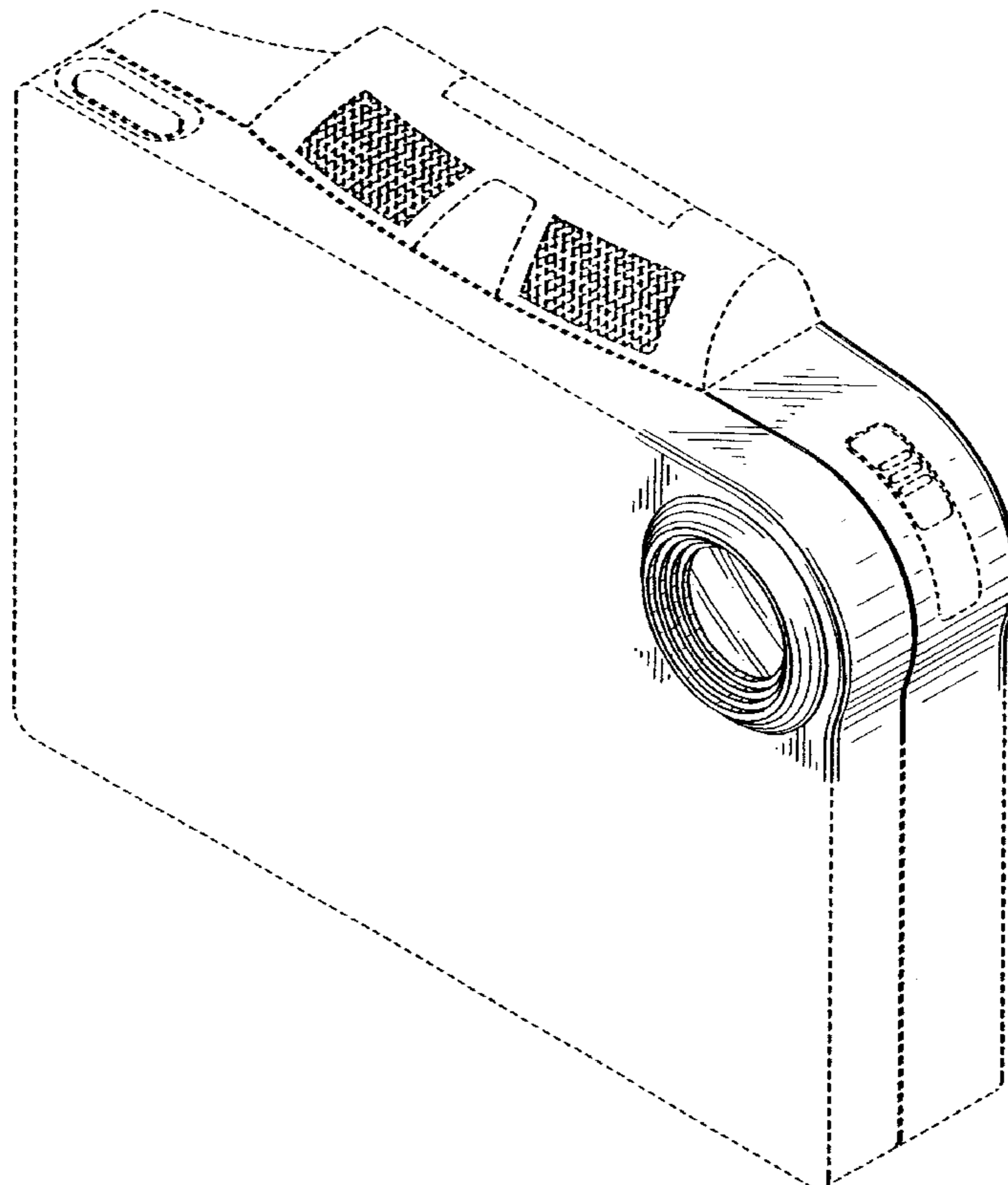


FIG. 1

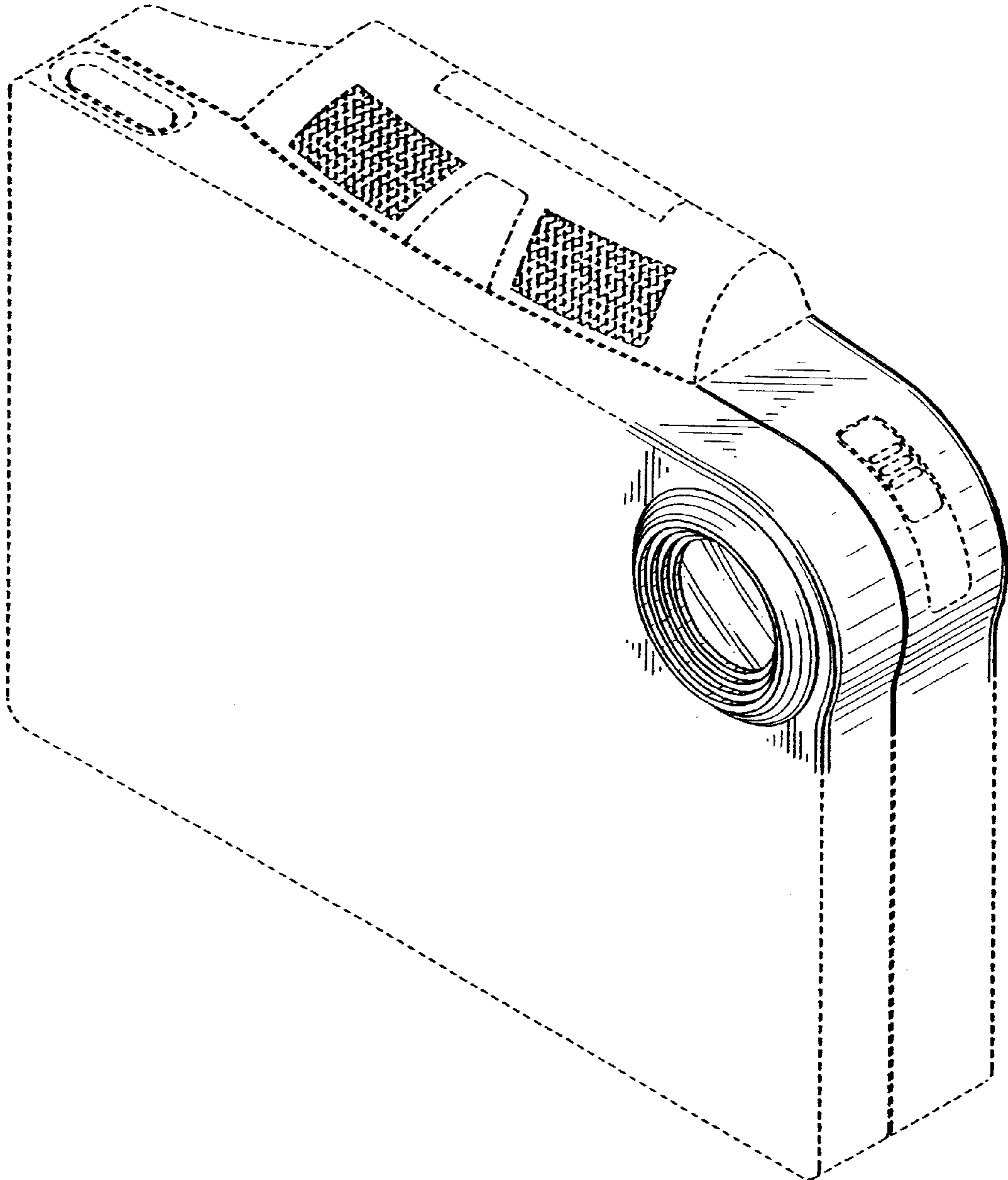


FIG. 2

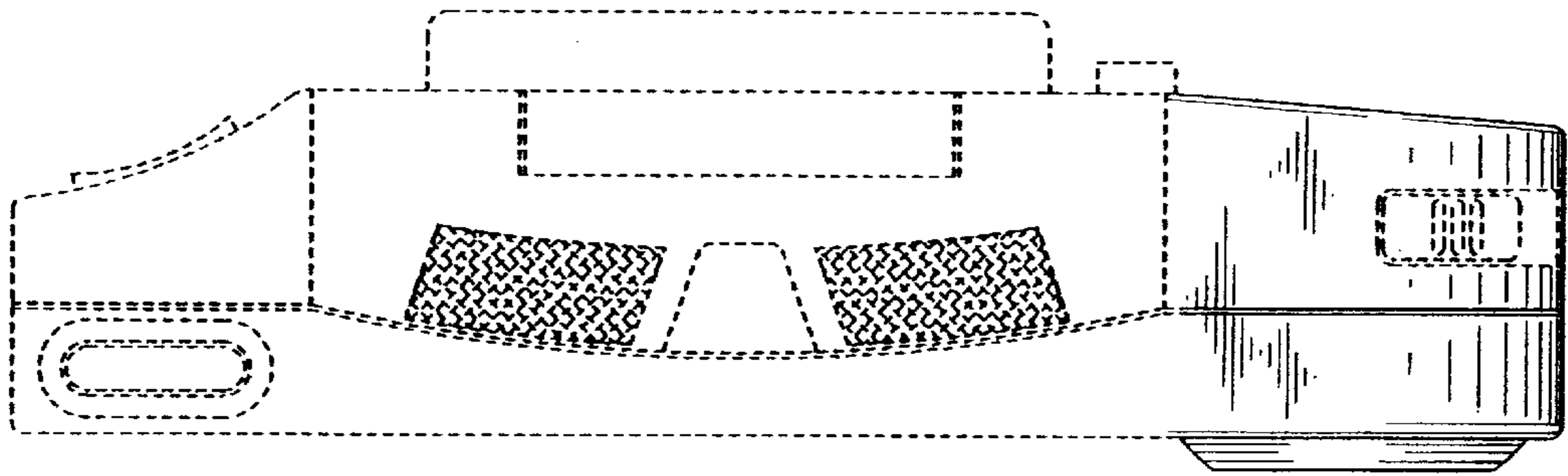


FIG. 3

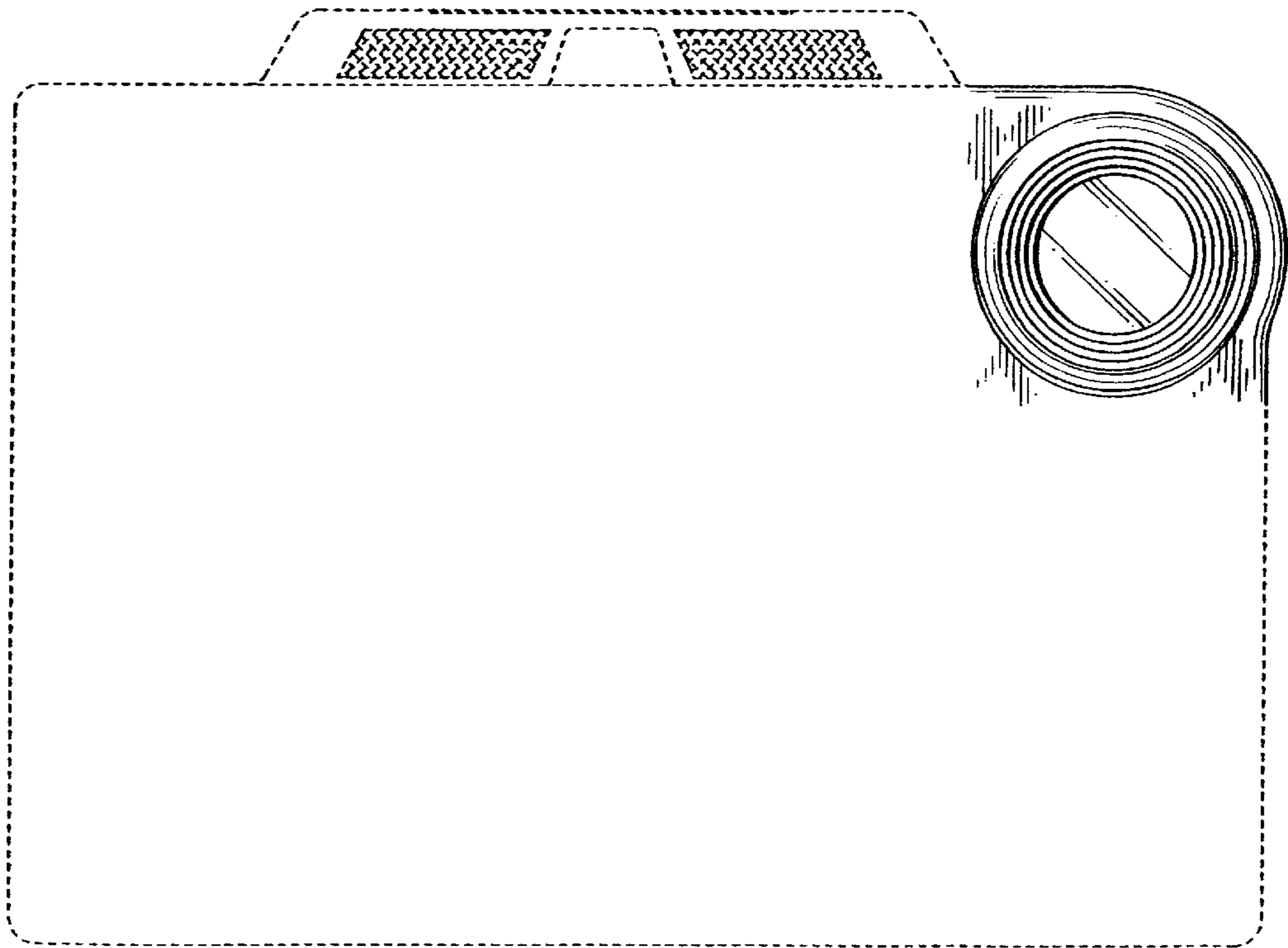


FIG. 4

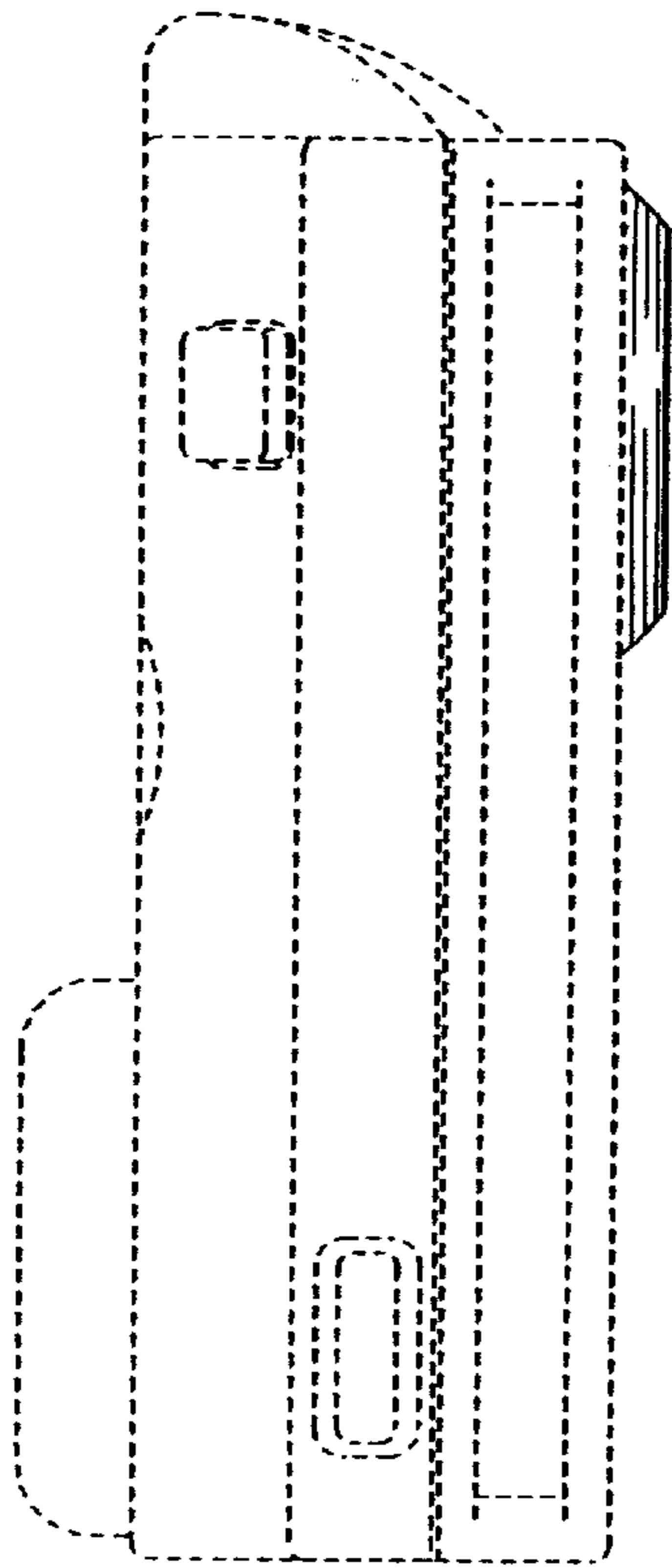


FIG. 5

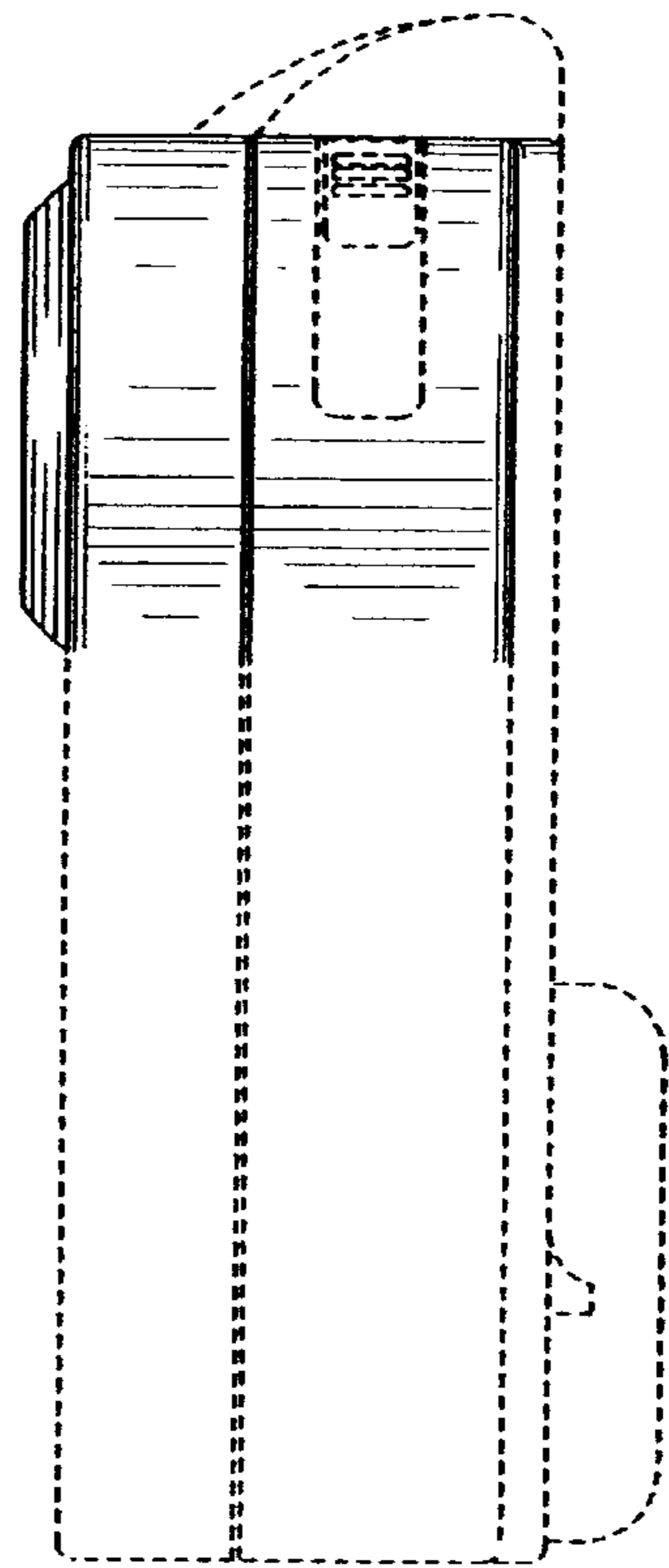


FIG. 6

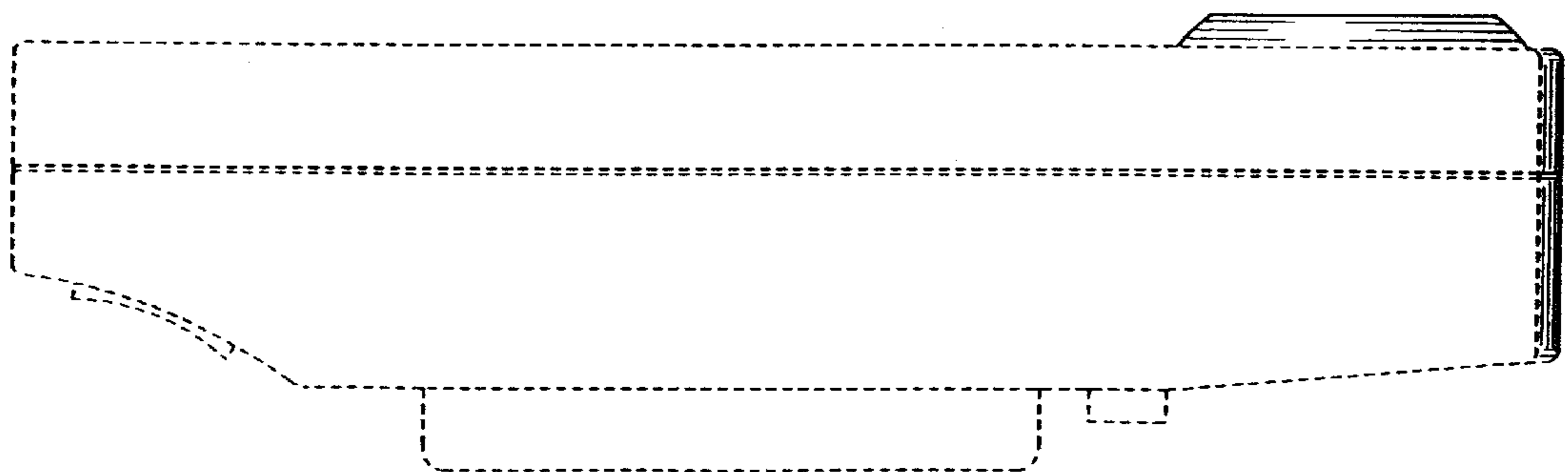


FIG. 7

