



US00D43882S

(12) **United States Design Patent**
Hoeveler et al.

(10) **Patent No.:** **US D438,882 S**

(45) **Date of Patent:** **** Mar. 13, 2001**

(54) **COMPACT COMBINATION CAMERA**

(75) Inventors: **Mark A. Hoeveler**, Melrose; **Robert S. Pesce**, Woburn; **Gerd Schmieta**, Boston, all of MA (US)

(73) Assignee: **Polaroid Corporation**, Cambridge, MA (US)

(**) Term: **14 Years**

(21) Appl. No.: **29/117,971**

(22) Filed: **Jan. 31, 2000**

(51) **LOC (7) Cl.** **16-01**

(52) **U.S. Cl.** **D16/218**

(58) **Field of Search** D16/200-204,
D16/207-209, 211-213, 217, 218; 396/176-178,
535-541

(56) **References Cited**

U.S. PATENT DOCUMENTS

D. 160,925 * 11/1950 Crapsey, Jr. D16/218

D. 163,458 * 5/1951 Ingenbrand D16/218

D. 345,750 * 4/1994 Arai D16/208

D. 393,272 * 4/1998 Segan et al. D16/218

D. 425,924 * 5/2000 Burchard et al. D16/218

* cited by examiner

Primary Examiner—Adir Aronovich

(74) *Attorney, Agent, or Firm*—Leslie Payne

(57) **CLAIM**

The ornamental design for a compact combination camera, as described and shown.

DESCRIPTION

FIG. 1 is a front perspective view of a compact combination camera showing our design;

FIG. 2 is a front elevation view thereof;

FIG. 3 is a top plan view thereof;

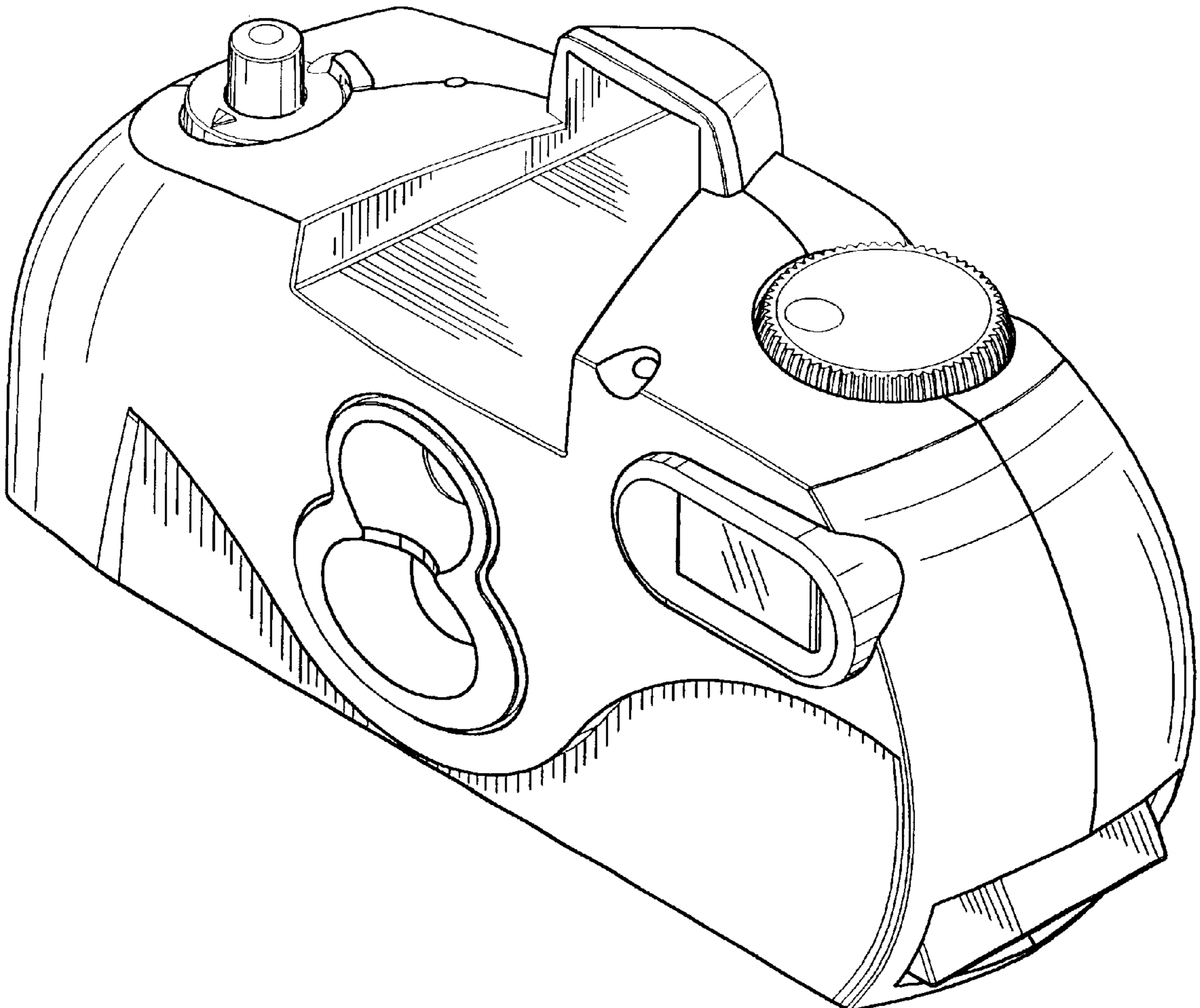
FIG. 4 is a rear elevation view thereof;

FIG. 5 is a bottom plan view thereof;

FIG. 6 is a left side view thereof; and,

FIG. 7 is a right side view thereof.

1 Claim, 3 Drawing Sheets



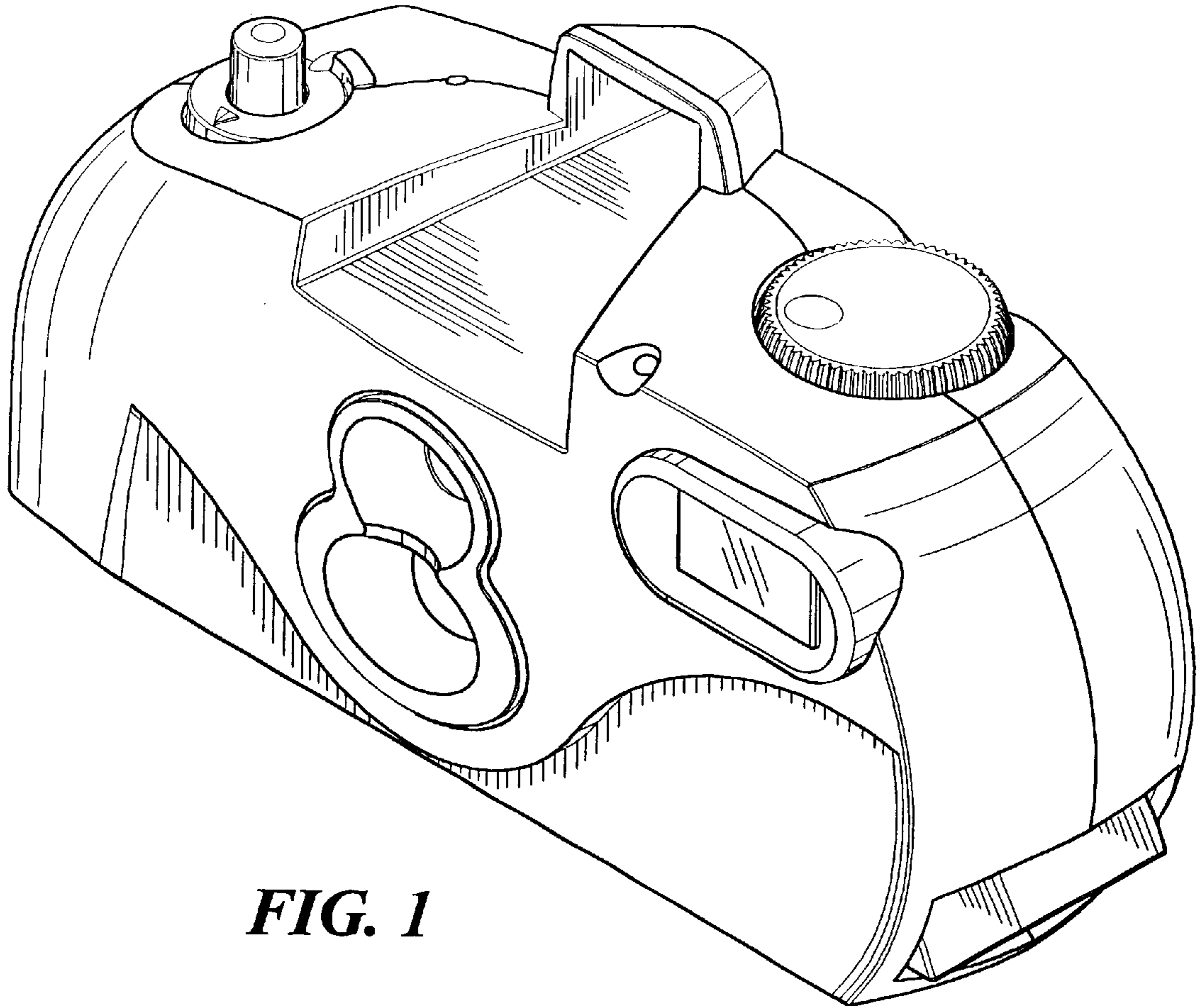


FIG. 1

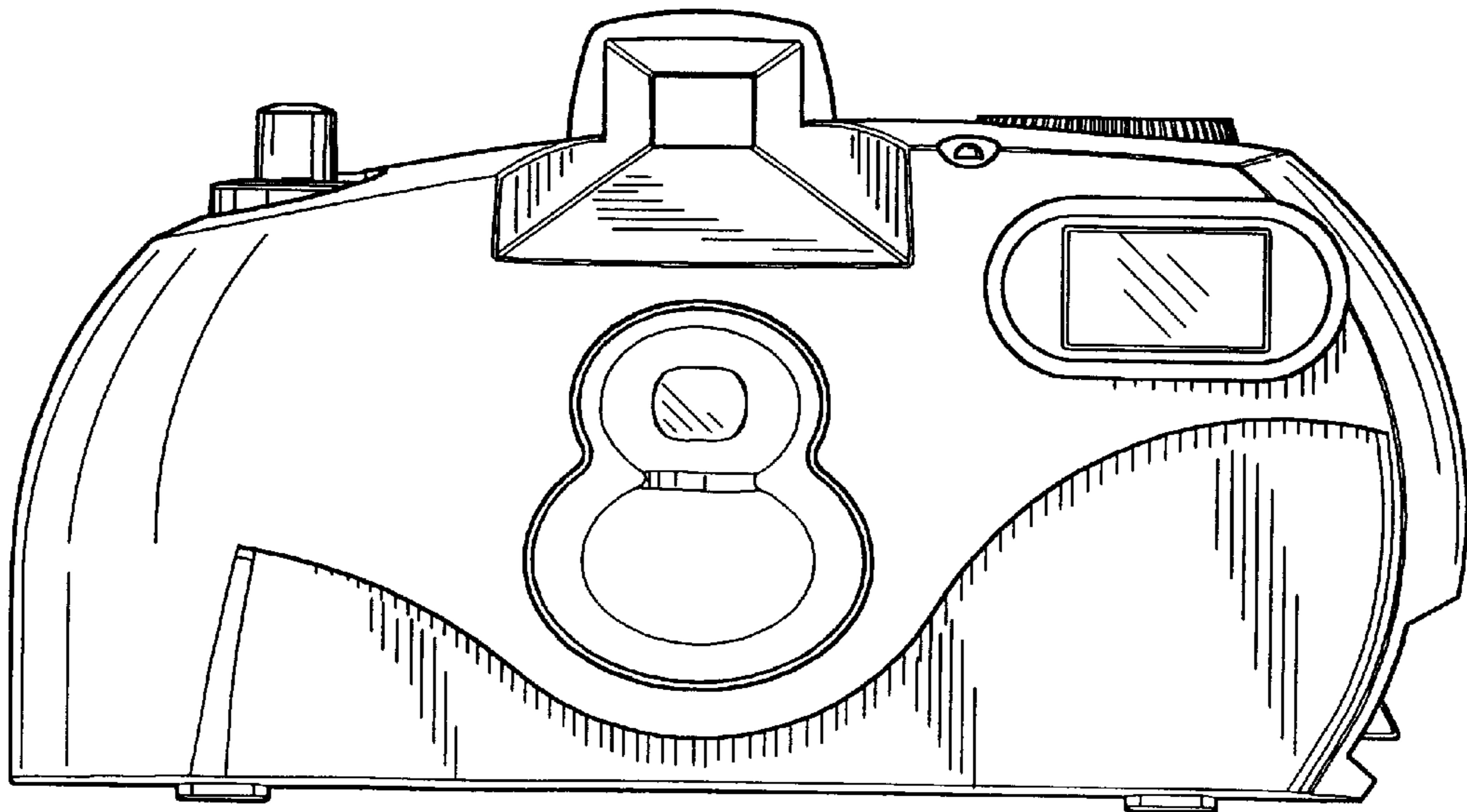


FIG. 2

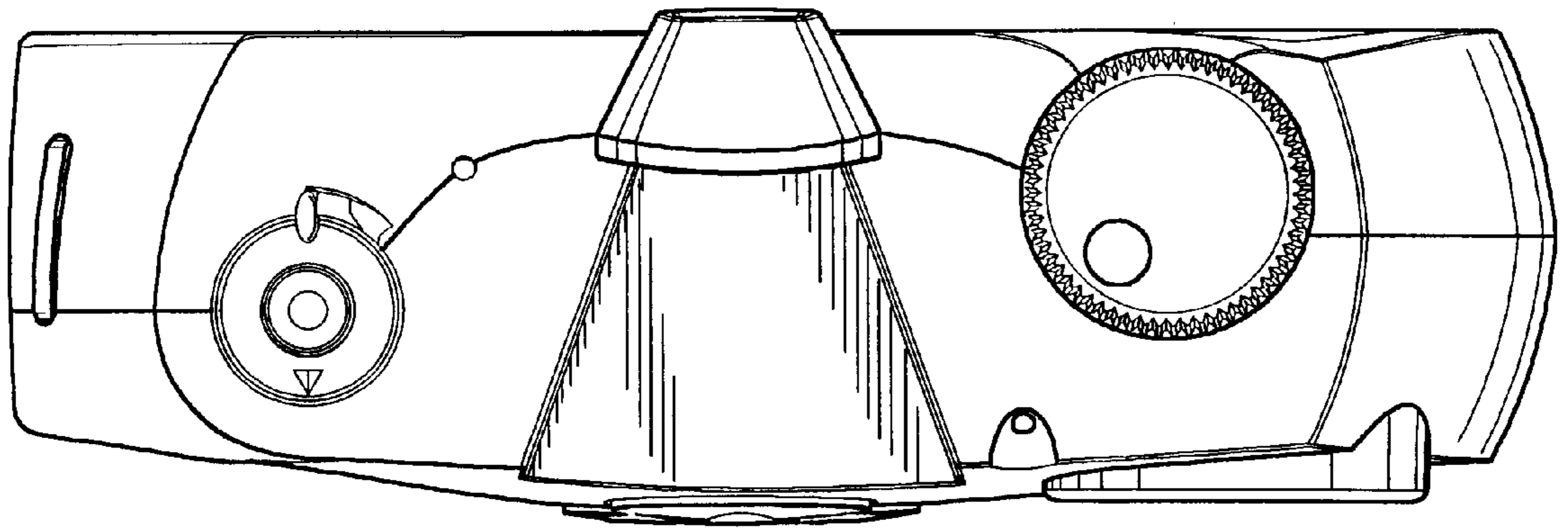


FIG. 3

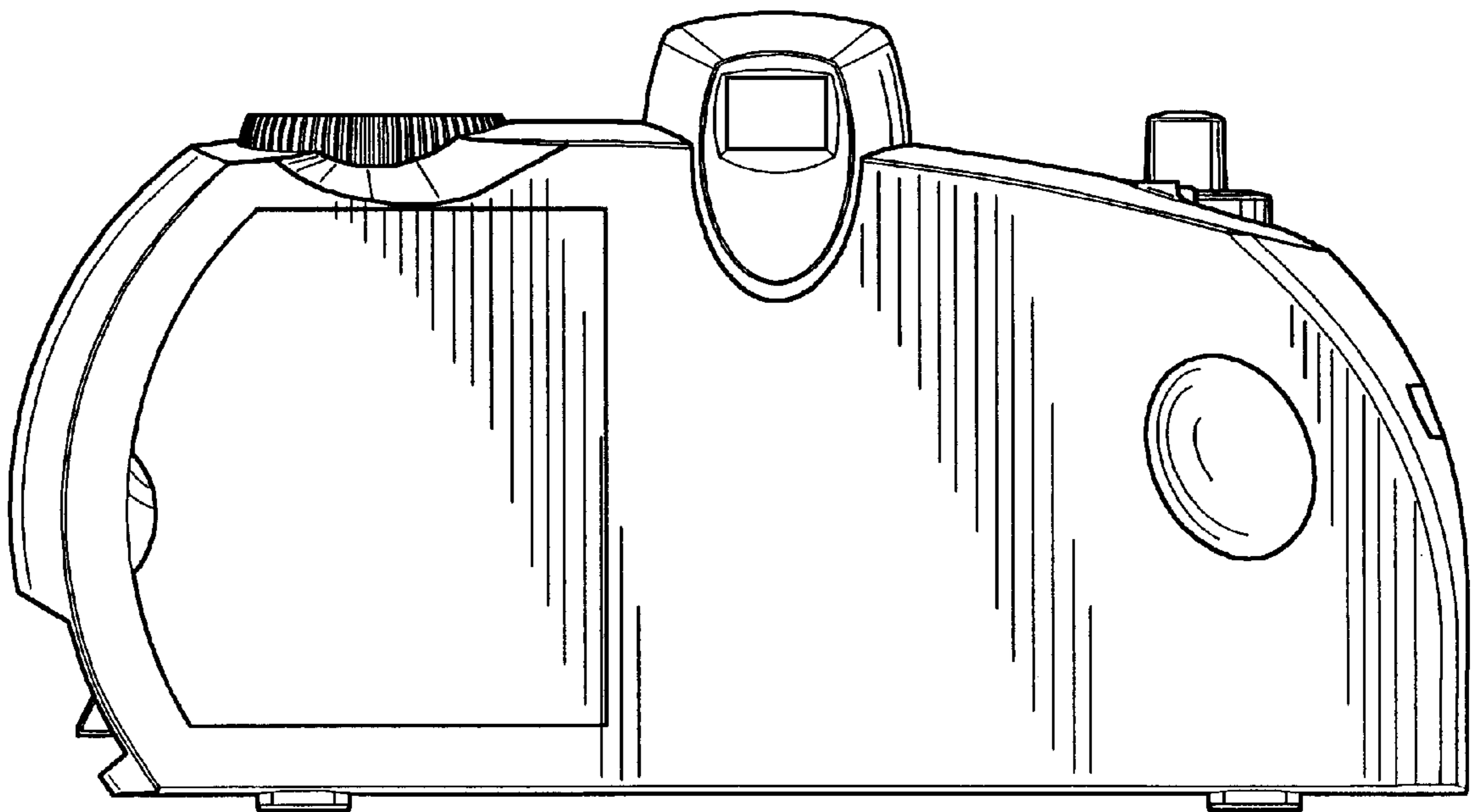


FIG. 4

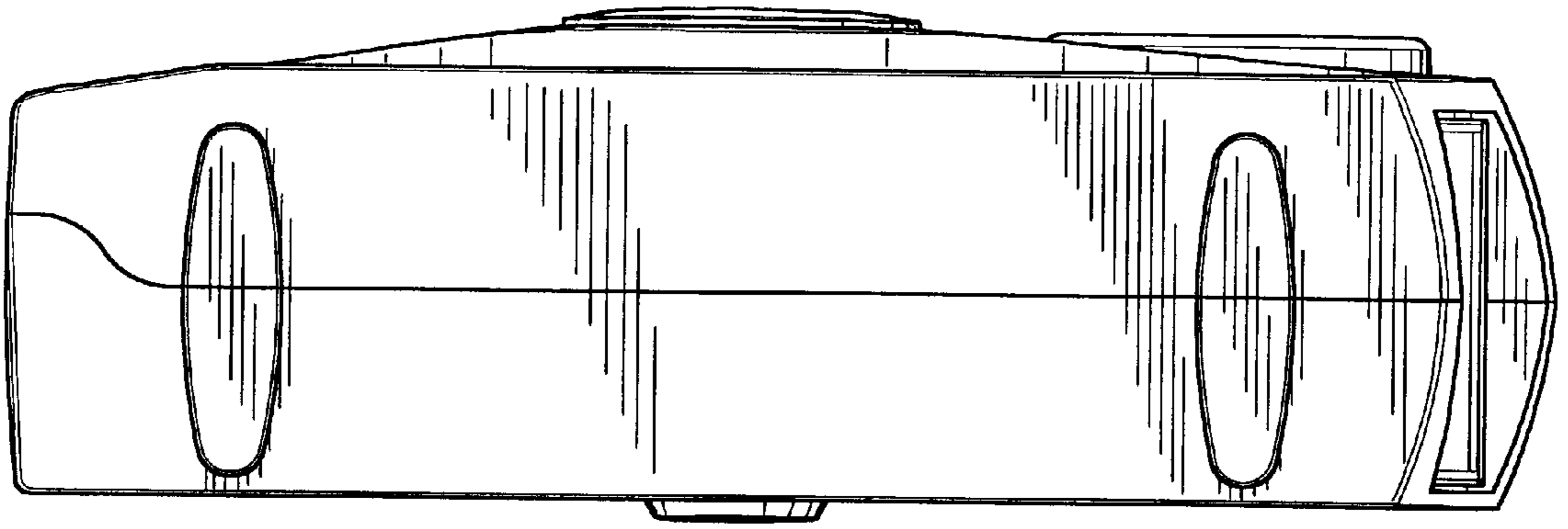


FIG. 5

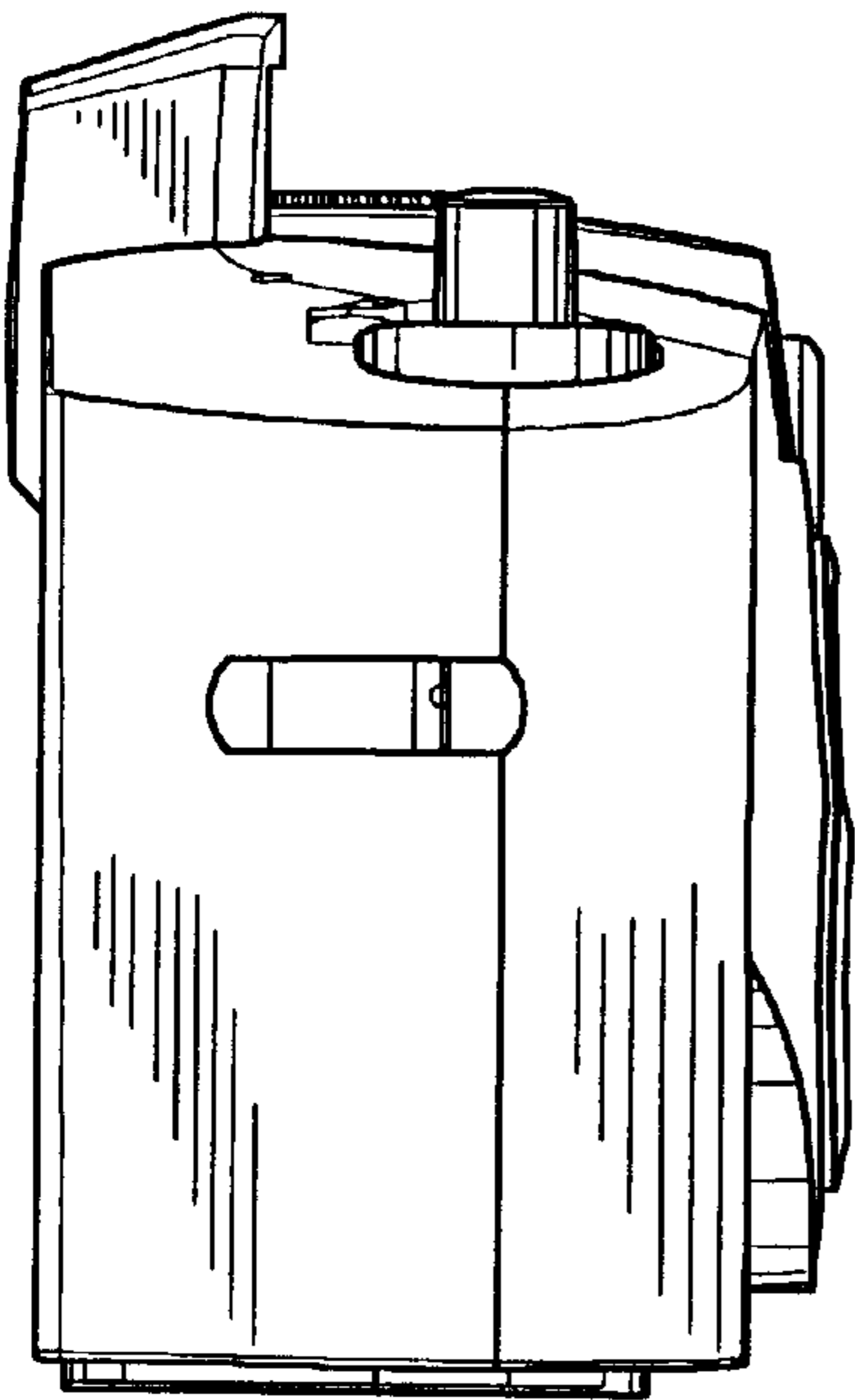


FIG. 6

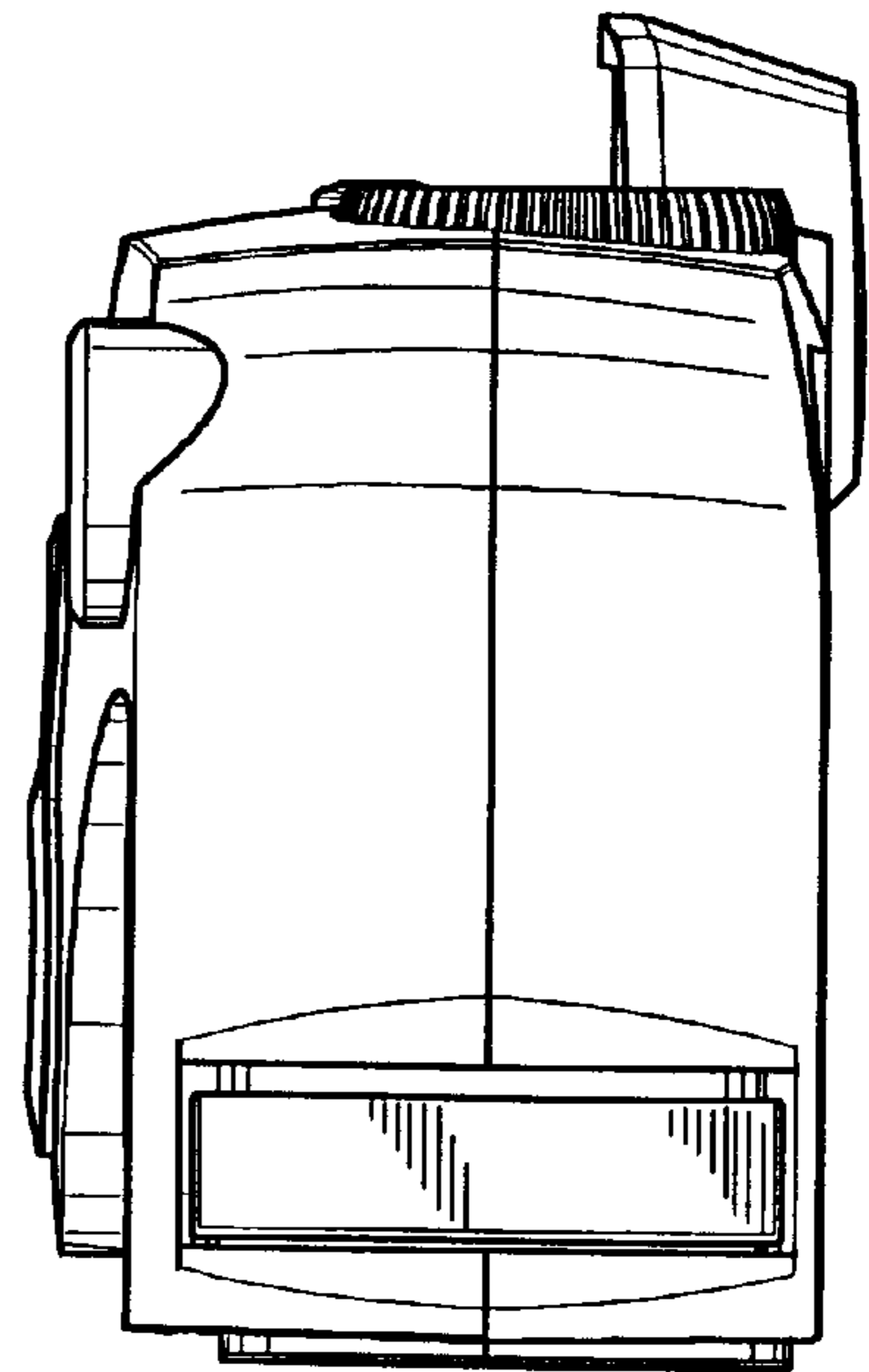


FIG. 7