



US00D43881S

(12) **United States Design Patent**
Zernov

(10) **Patent No.:** **US D438,881 S**

(45) **Date of Patent:** **** Mar. 13, 2001**

(54) **UNDERWATER VIEWING MONITOR**

(75) Inventor: **Jeffrey P. Zernov**, Baxter, MN (US)

(73) Assignee: **Nature Vision, Inc.**, Baxter, MN (US)

(**) Term: **14 Years**

(21) Appl. No.: **29/119,957**

(22) Filed: **Mar. 10, 2000**

(51) **LOC (7) Cl.** **16-01**

(52) **U.S. Cl.** **D16/204**

(58) **Field of Search** D16/200-204,
D16/206, 208, 221, 237; 206/316.2; 348/81,
82, 373-376; 396/25-28

(56) **References Cited**

U.S. PATENT DOCUMENTS

D. 320,028	*	9/1991	Sedighzadeh et al.	D16/203
D. 429,744	*	8/2000	Zernov et al.	D16/204
4,485,398	*	11/1984	Chaphin, Jr. et al.	348/81
5,778,259	*	7/1998	Rink	396/27
6,064,824	*	5/2000	Rink	396/25
6,097,424	*	8/2000	Zernov et al.	348/81

* cited by examiner

Primary Examiner—Adir Aronovich

(74) *Attorney, Agent, or Firm*—D. L. Tschida

(57) **CLAIM**

The ornamental design for an underwater viewing monitor, as shown and described.

DESCRIPTION

FIG. 1 is a perspective drawing showing front, top and right side views of my new design for an underwater viewing monitor with the sunshield cover attached to the base;

FIG. 2 is a perspective drawing showing rear, top and left side views thereof;

FIG. 3 is a right side view of the sunshield cover, the base is omitted for clarity of illustration;

FIG. 4 is a left side view of the sunshield cover, the base is omitted for clarity of illustration;

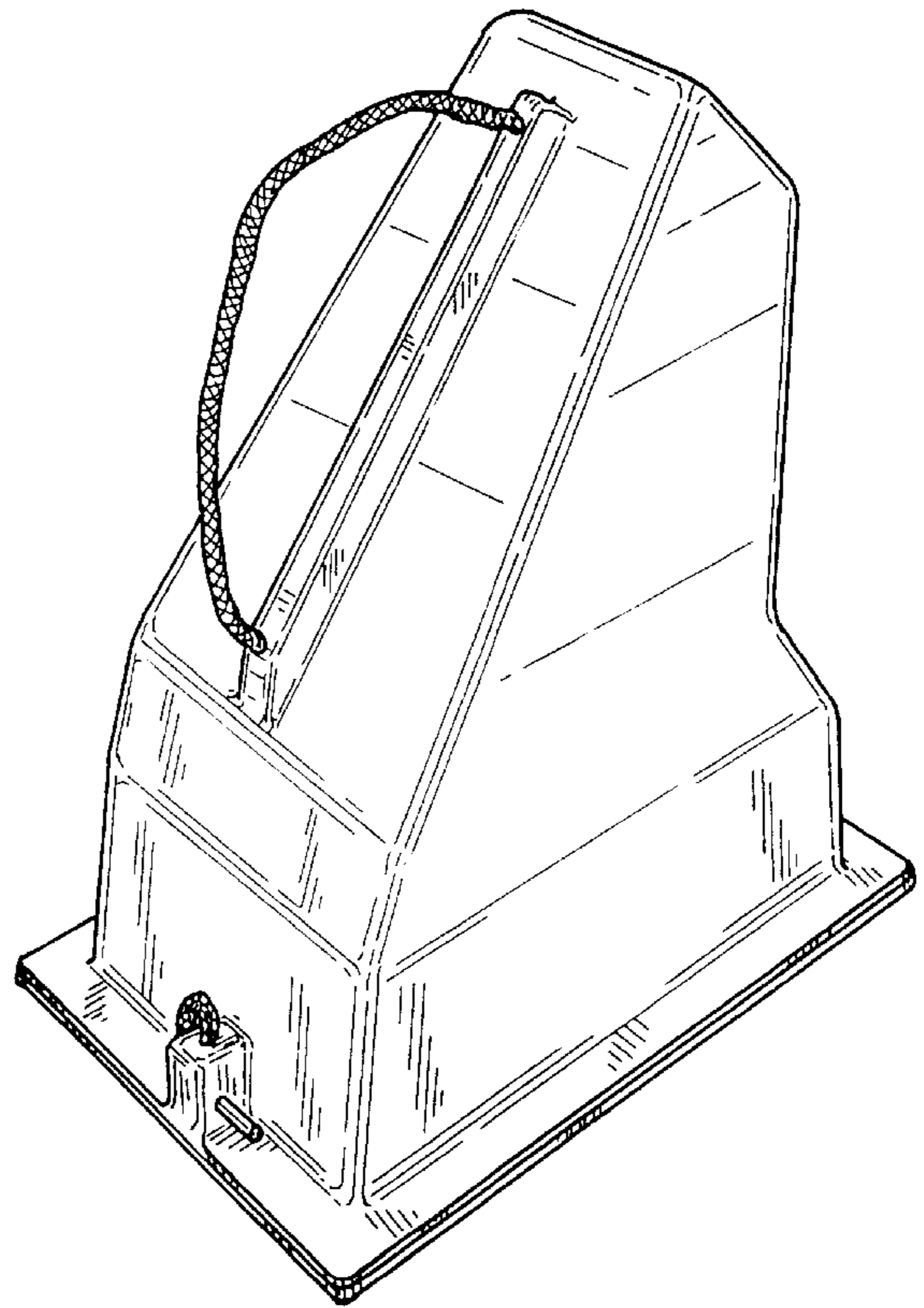
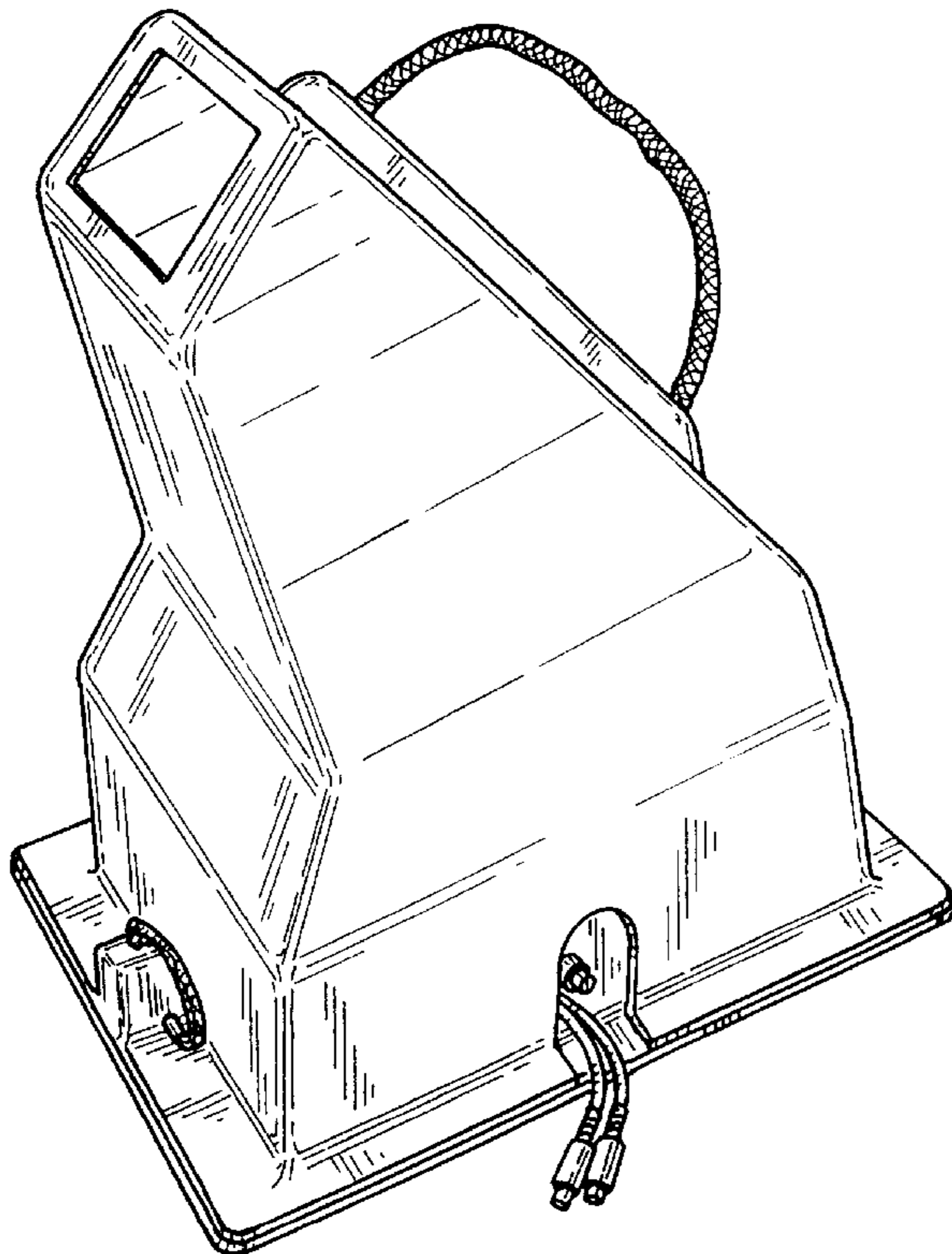
FIG. 5 is a front view of the sunshield cover, the base is omitted for clarity of illustration;

FIG. 6 is a rear view of the sunshield cover, the base is omitted for clarity of illustration;

FIG. 7 is a top view of the sunshield cover, the base is omitted for clarity of illustration; and,

FIG. 8 is a bottom of the sunshield cover, the base is omitted for clarity of illustration.

1 Claim, 8 Drawing Sheets



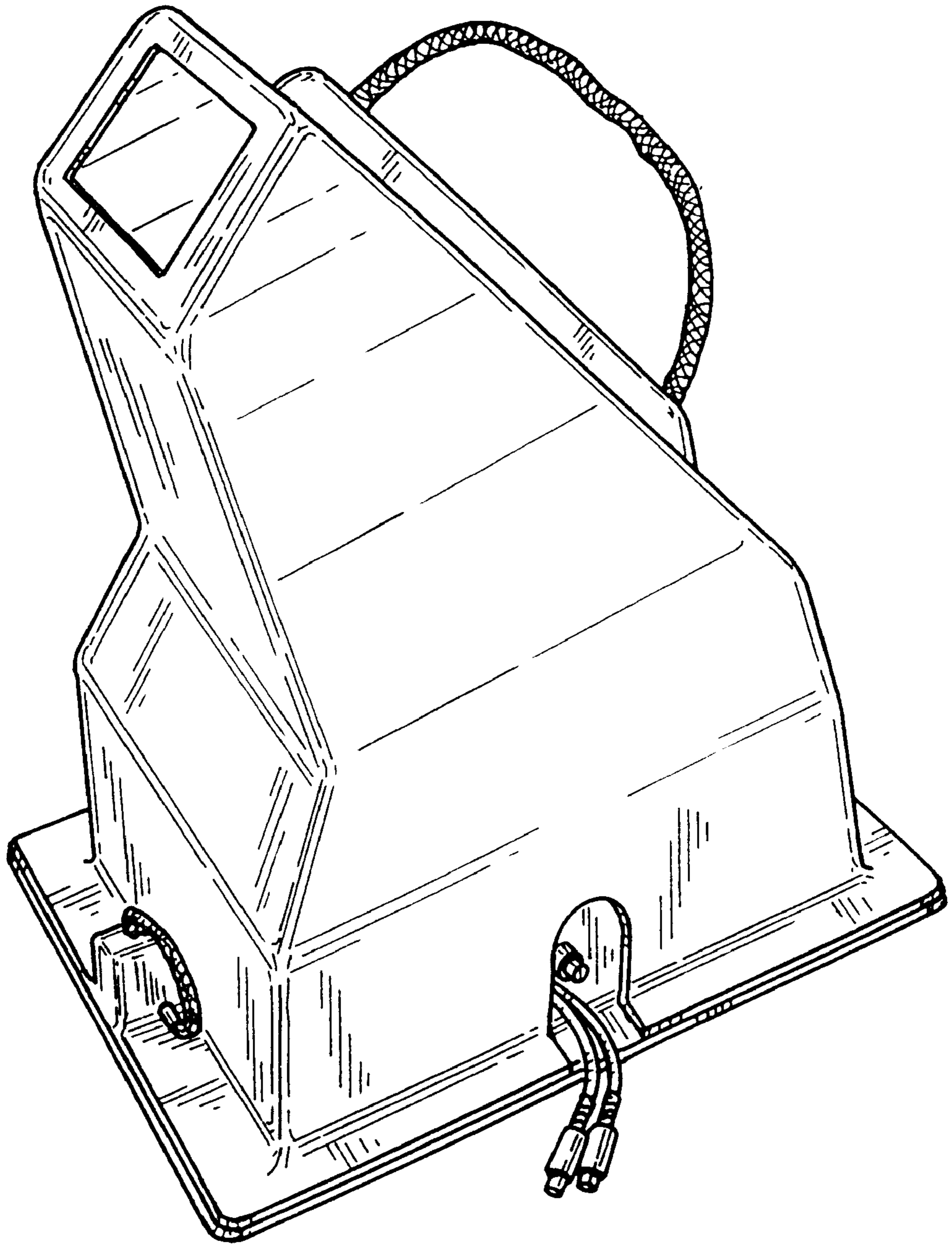


FIG. 1

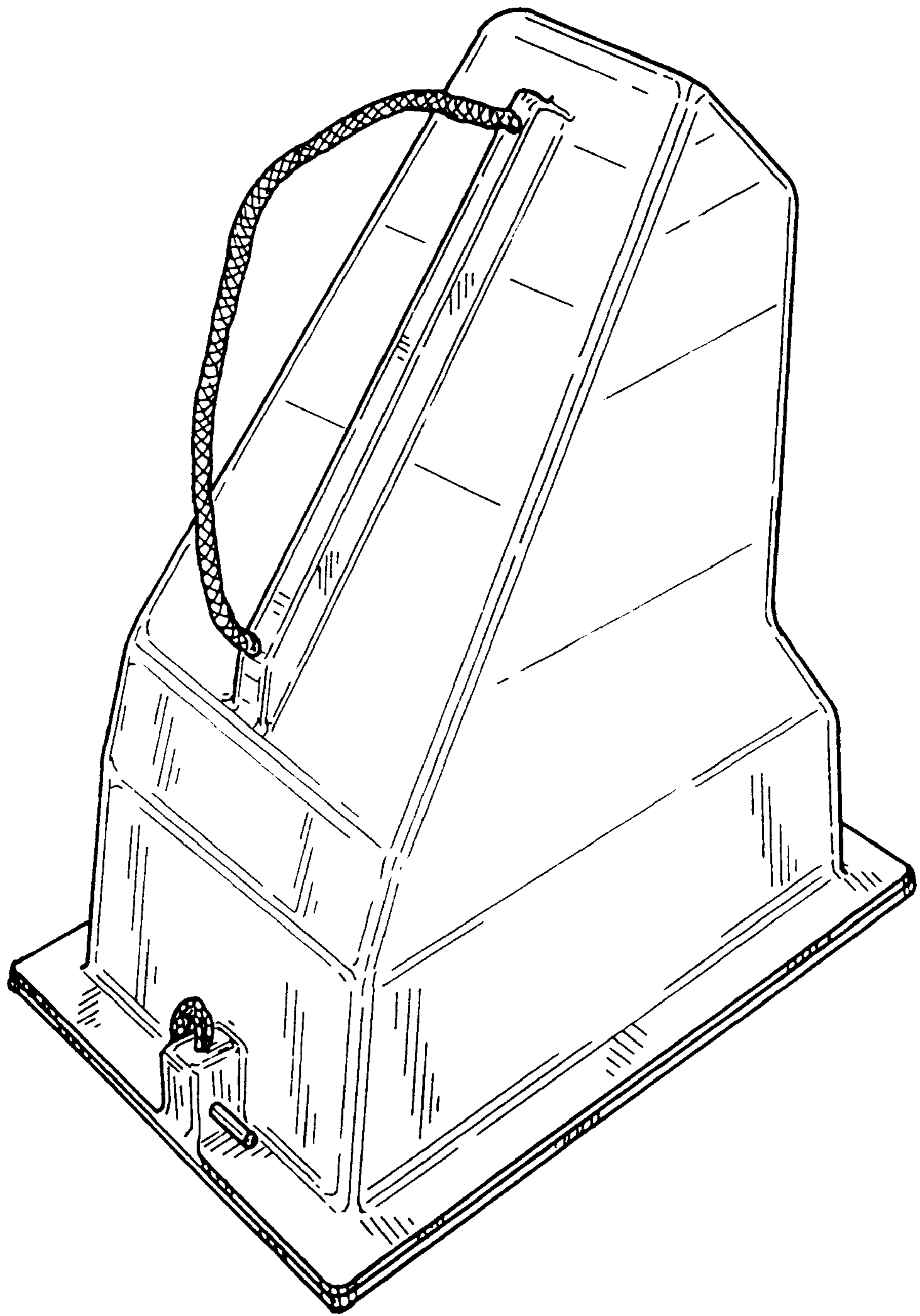


FIG. 2

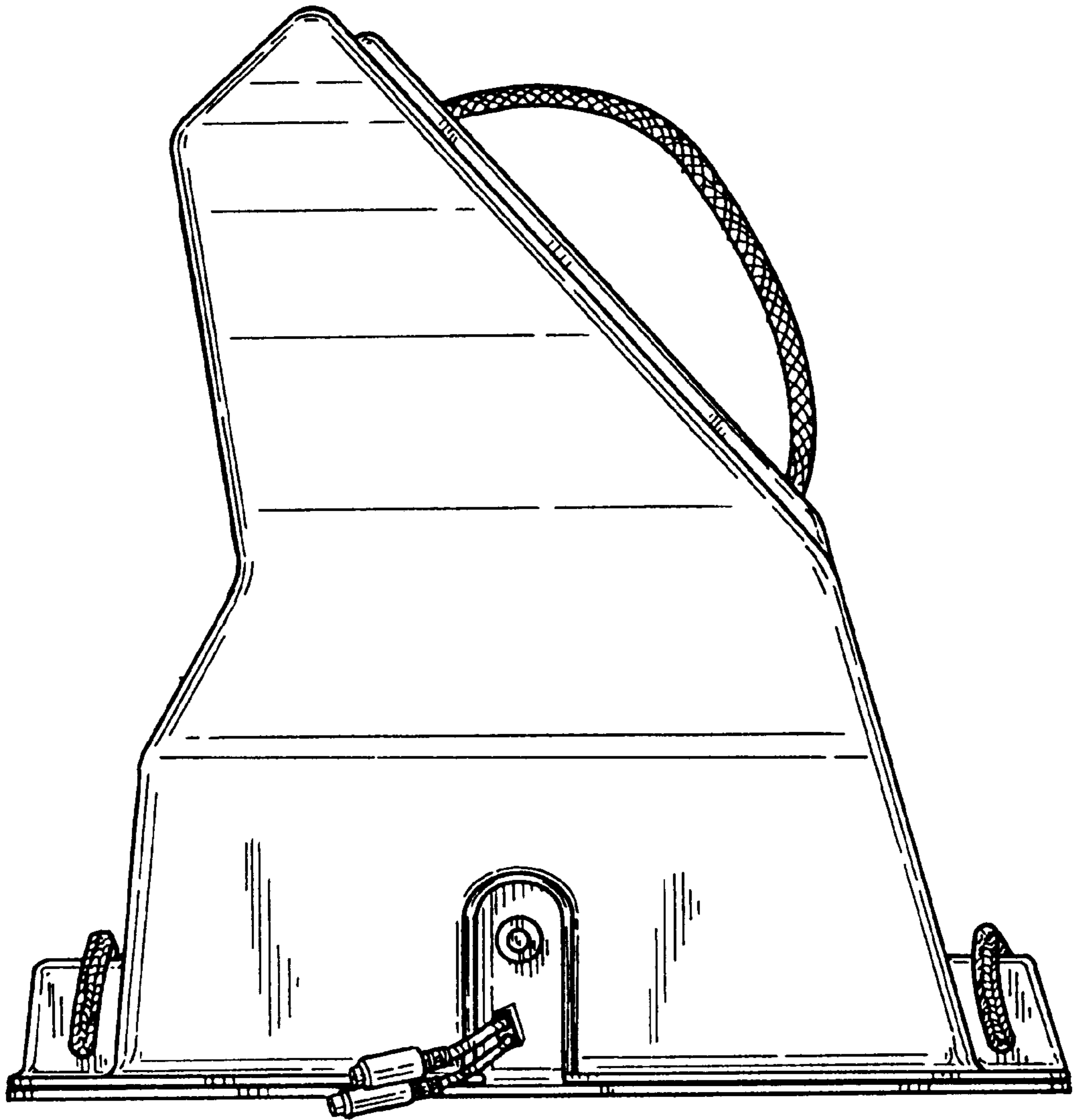


FIG. 3

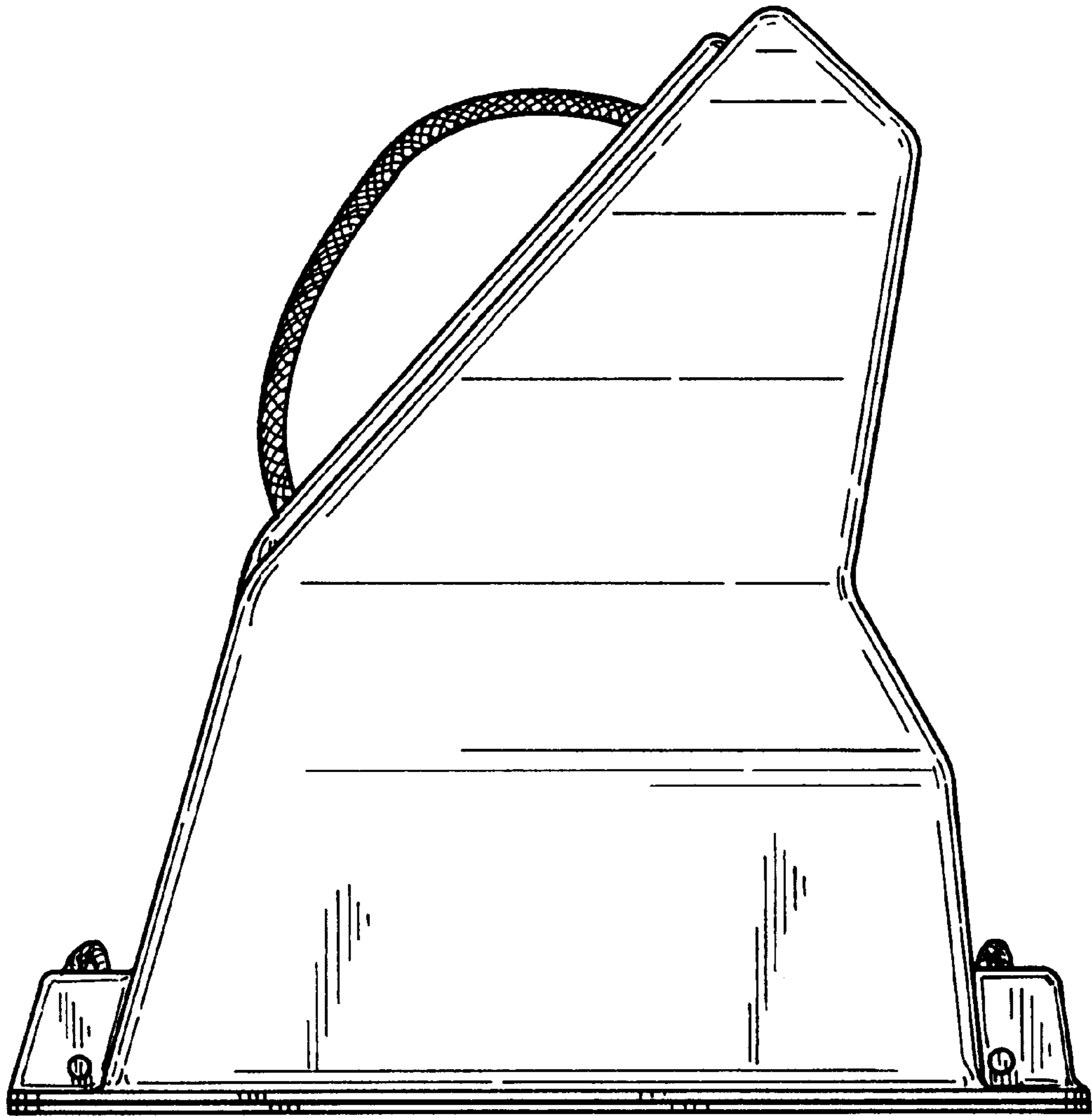


FIG. 4

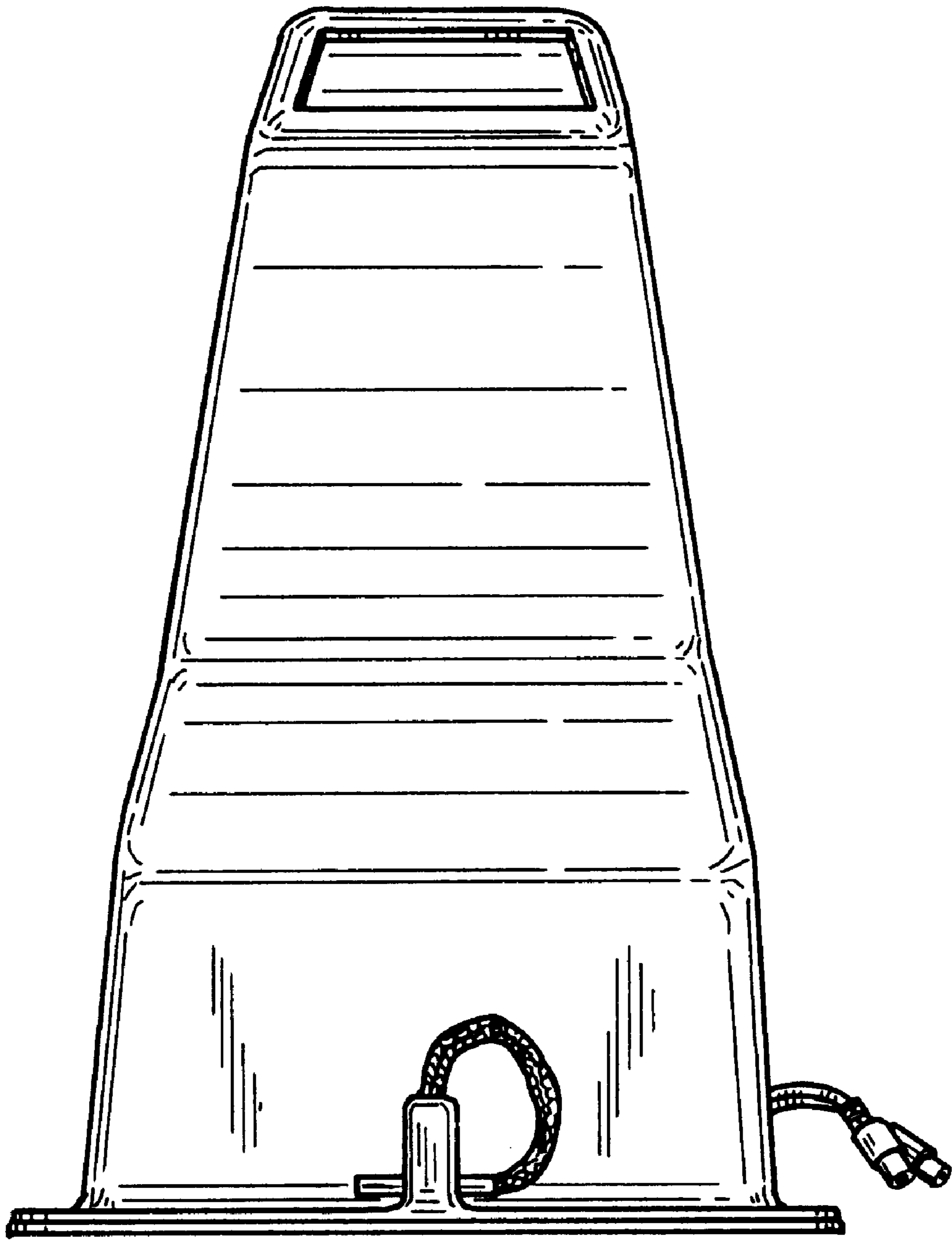


FIG. 5

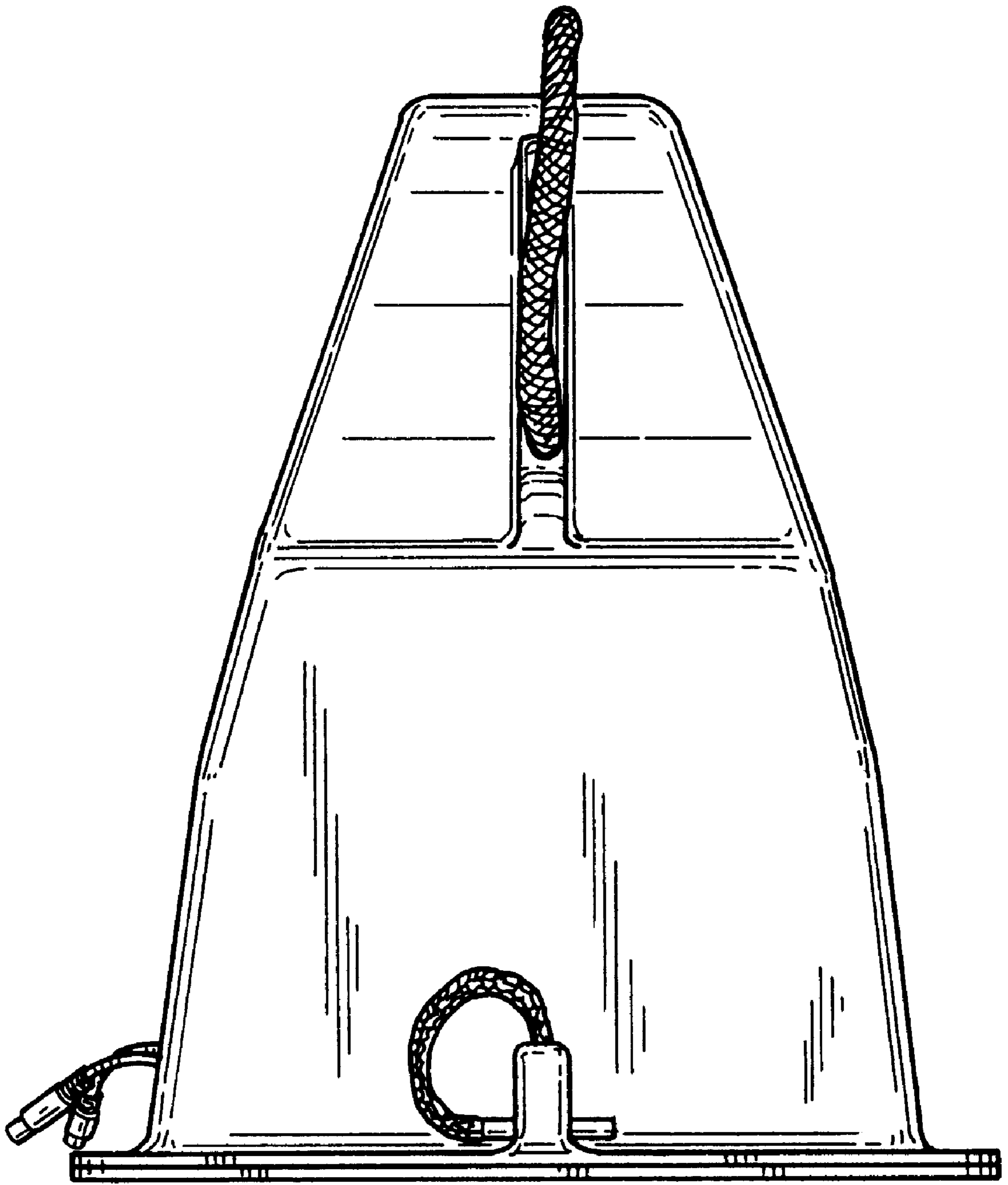


FIG. 6

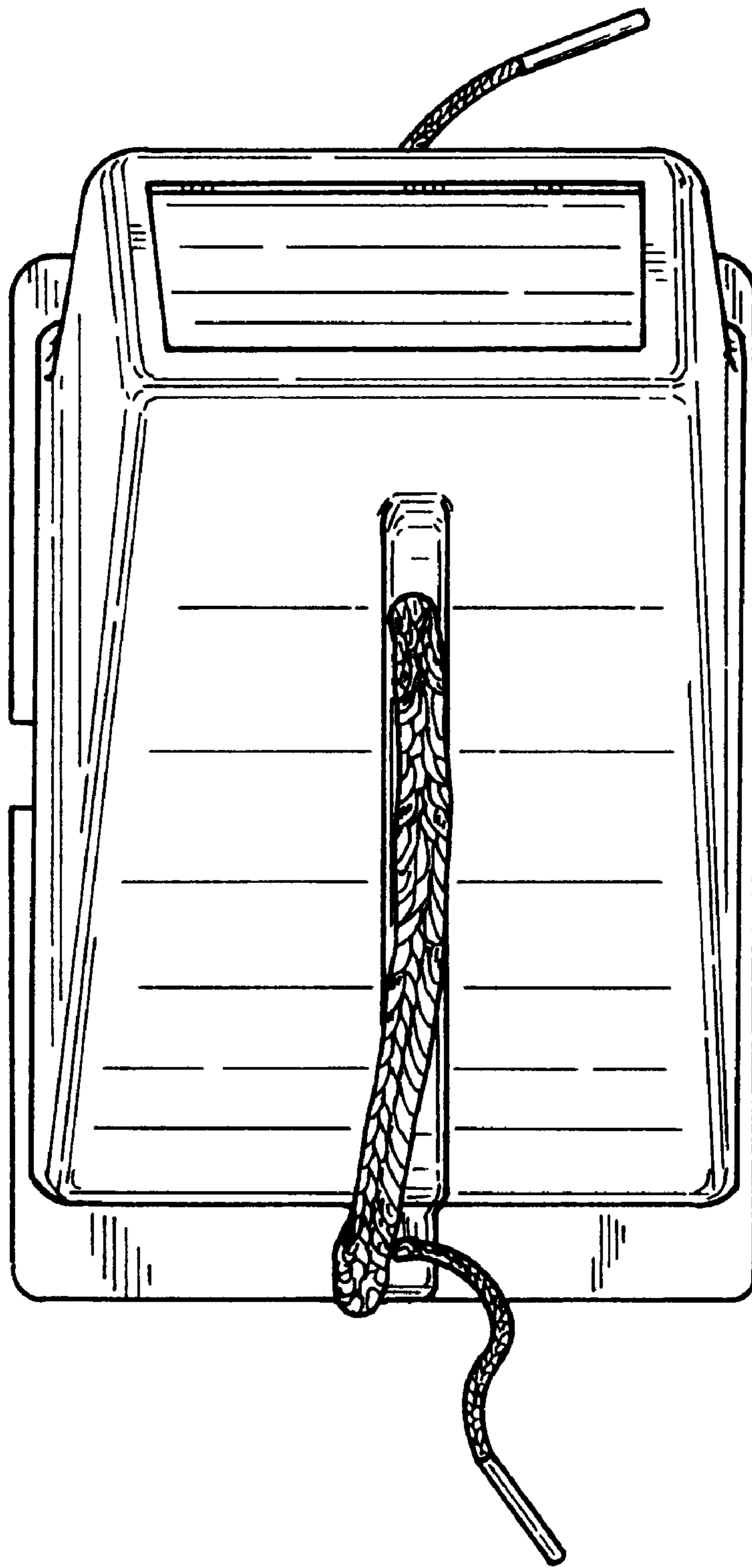


FIG. 7

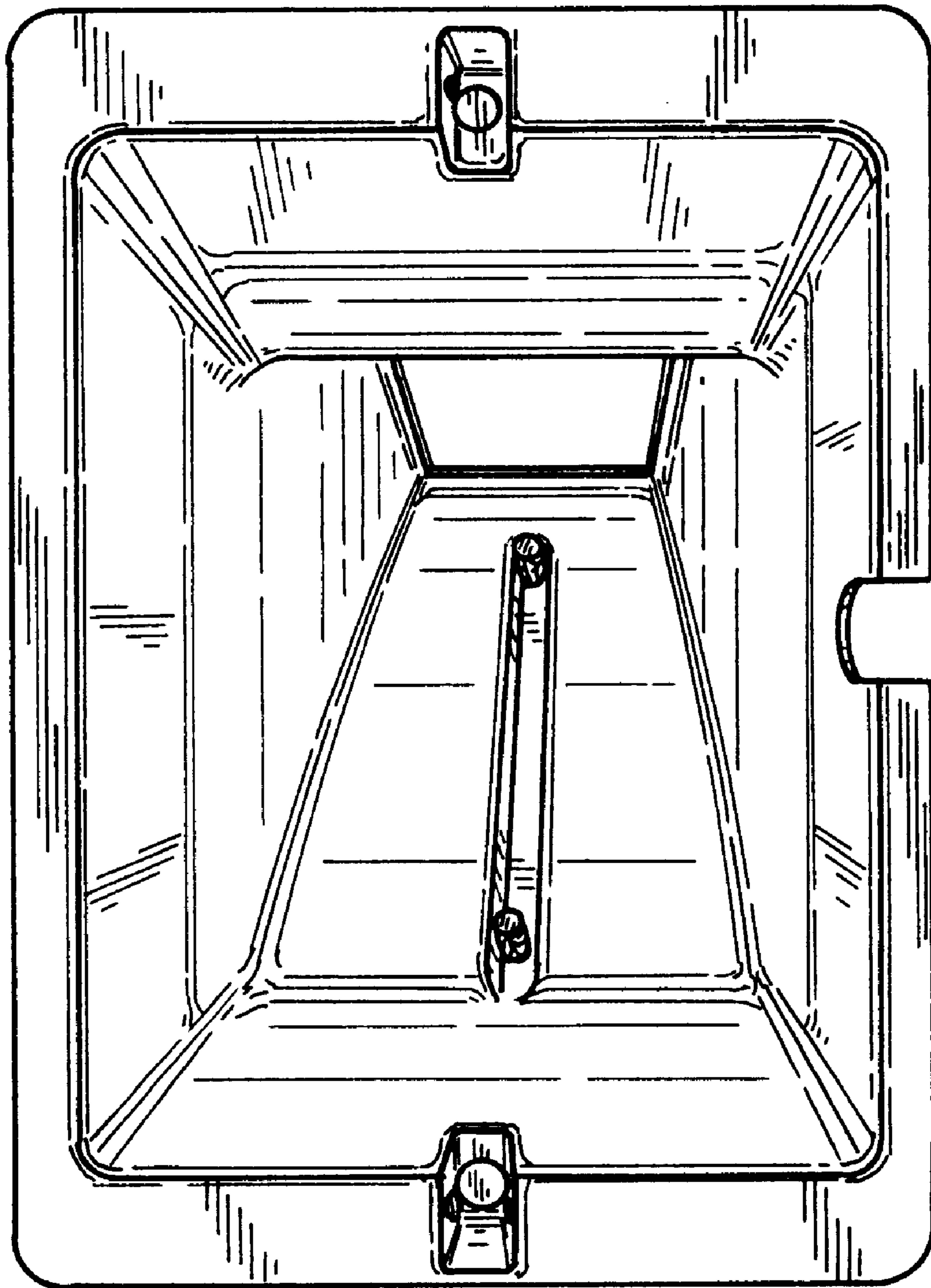


FIG. 8