



US00D438880S

(12) **United States Design Patent**
Katayama

(10) **Patent No.:** **US D438,880 S**

(45) **Date of Patent:** **** Mar. 13, 2001**

(54) **WATERPROOF CASE FOR A CAMERA**

(75) **Inventor:** **Noriko Katayama, Tokyo (JP)**

(73) **Assignee:** **Fuji Photo Film Co., Ltd., Kanagawa (JP)**

(**) **Term:** **14 Years**

(21) **Appl. No.:** **29/117,583**

(22) **Filed:** **Jan. 31, 2000**

(30) **Foreign Application Priority Data**

Jul. 30, 1999 (JP) 11-20594

(51) **LOC (7) Cl.** **16-01**

(52) **U.S. Cl.** **D16/204; D3/267; 396/27**

(58) **Field of Search** **D3/219, 267; D16/200-205, D16/208, 209, 212, 217, 218; 396/25-29, 535-541; 206/316.1, 316.2**

(56) **References Cited**

U.S. PATENT DOCUMENTS

- D. 334,397 * 3/1993 Kohno et al. D3/219
- D. 338,330 8/1993 Kohno et al. D3/267

- D. 367,283 * 2/1996 Lyon et al. D16/208
- D. 392,660 * 3/1998 Kim et al. D16/209
- D. 394,869 * 6/1998 Reibl et al. D16/204
- 5,285,894 * 2/1994 Kamata et al. 206/316.1

* cited by examiner

Primary Examiner—Adir Aronovich

(74) *Attorney, Agent, or Firm*—Young & Thompson

(57) **CLAIM**

The ornamental design for a waterproof case for a camera, as shown.

DESCRIPTION

FIG. 1 is a top, front and side view of a waterproof case for a camera, showing my new design;
 FIG. 2 is a front elevational view thereof;
 FIG. 3 is a rear elevational view thereof;
 FIG. 4 is a top plan view thereof;
 FIG. 5 is a bottom plan view thereof;
 FIG. 6 is an end elevational view thereof from the right of FIG. 2; and,
 FIG. 7 is an end elevational view thereof from the left of FIG. 2.

1 Claim, 3 Drawing Sheets

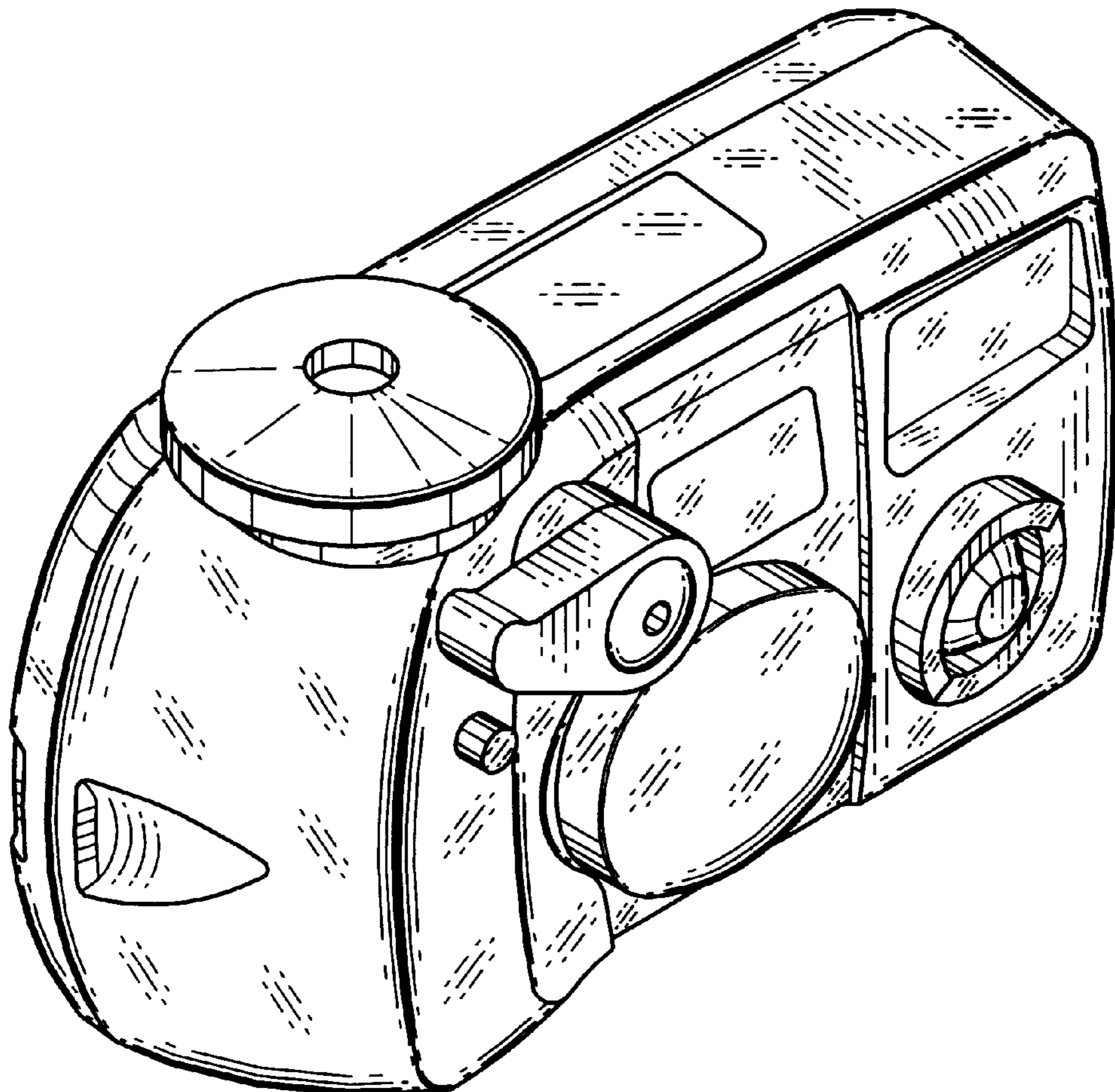


FIG. 1

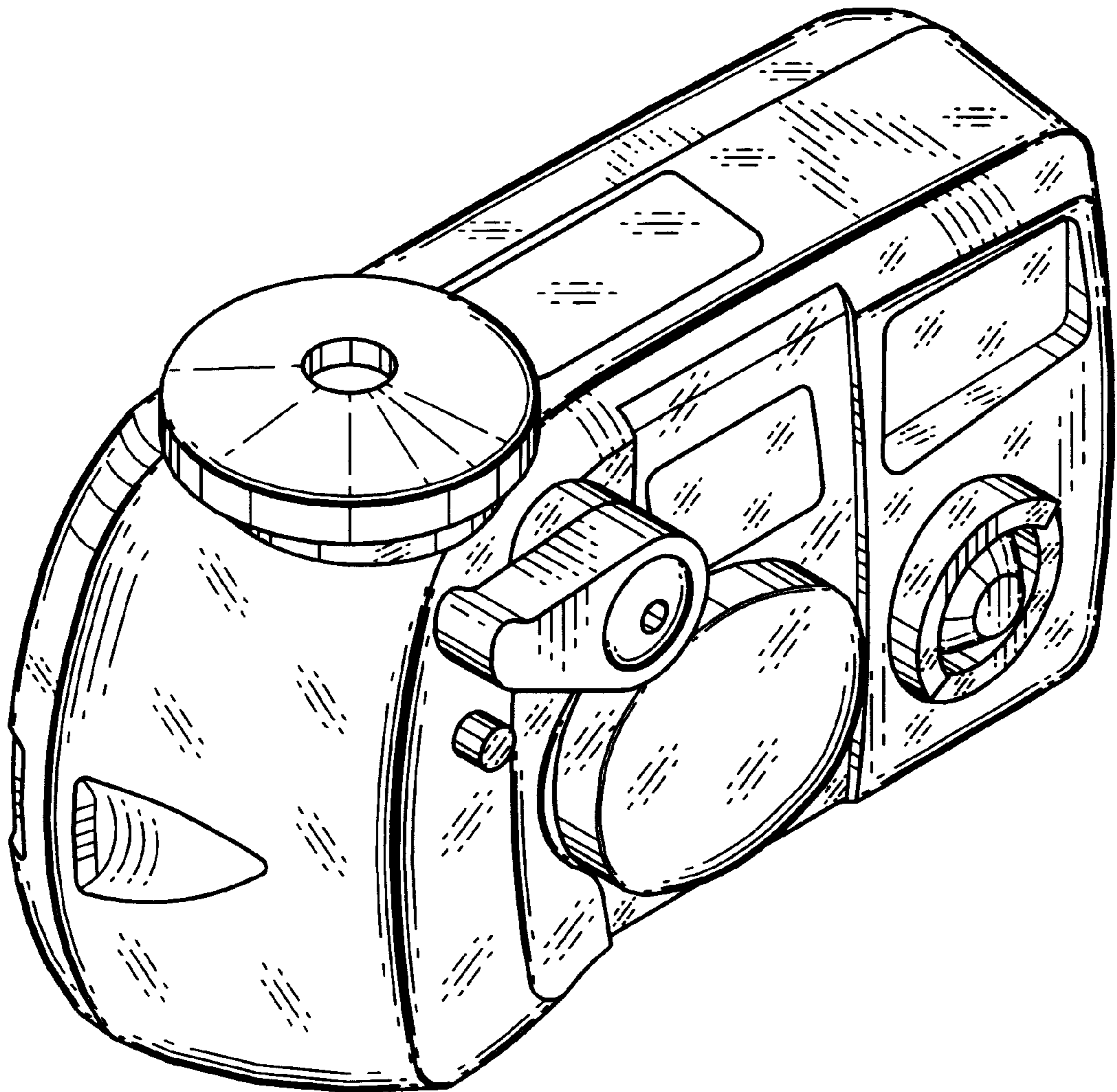


FIG. 2

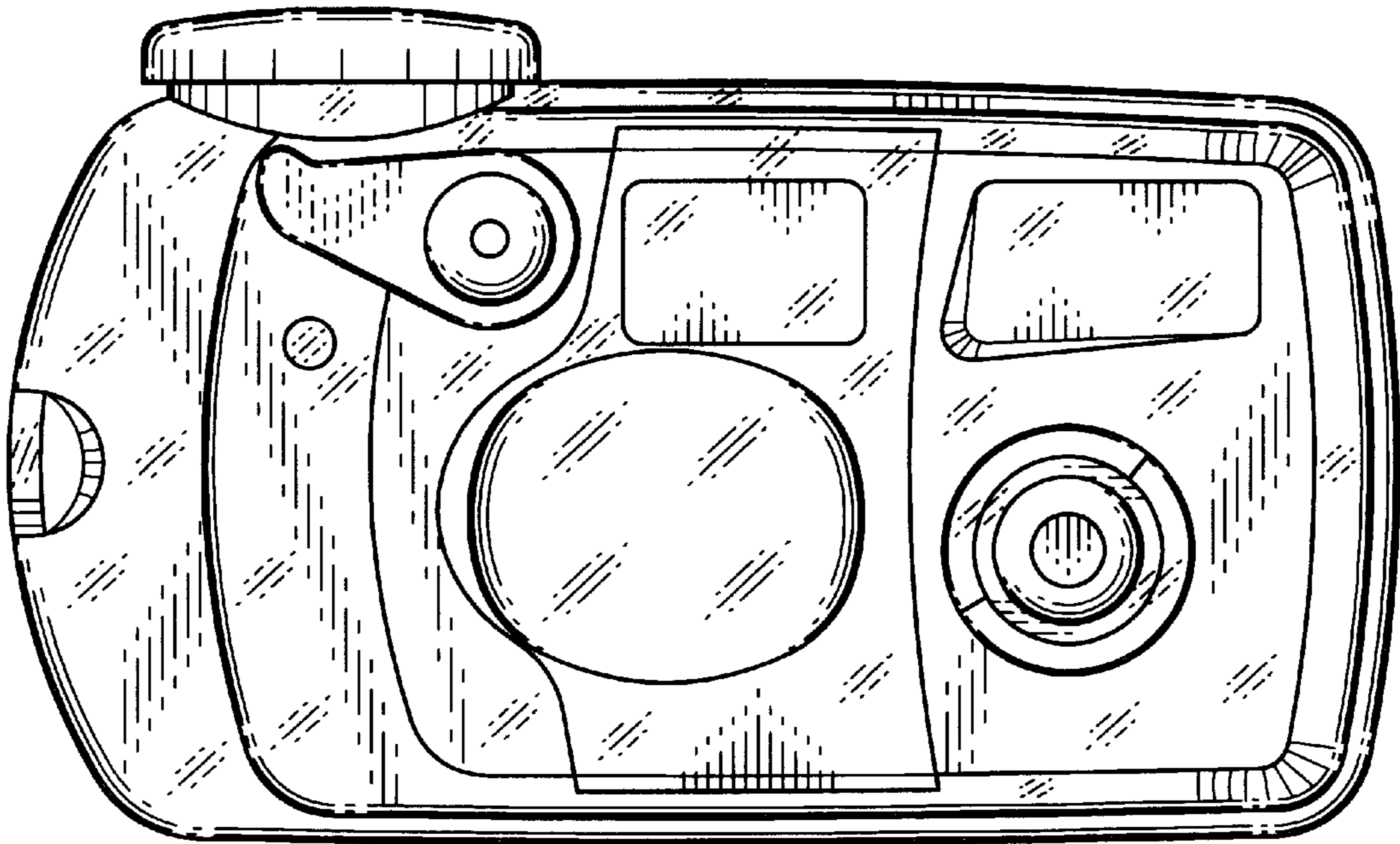


FIG. 3

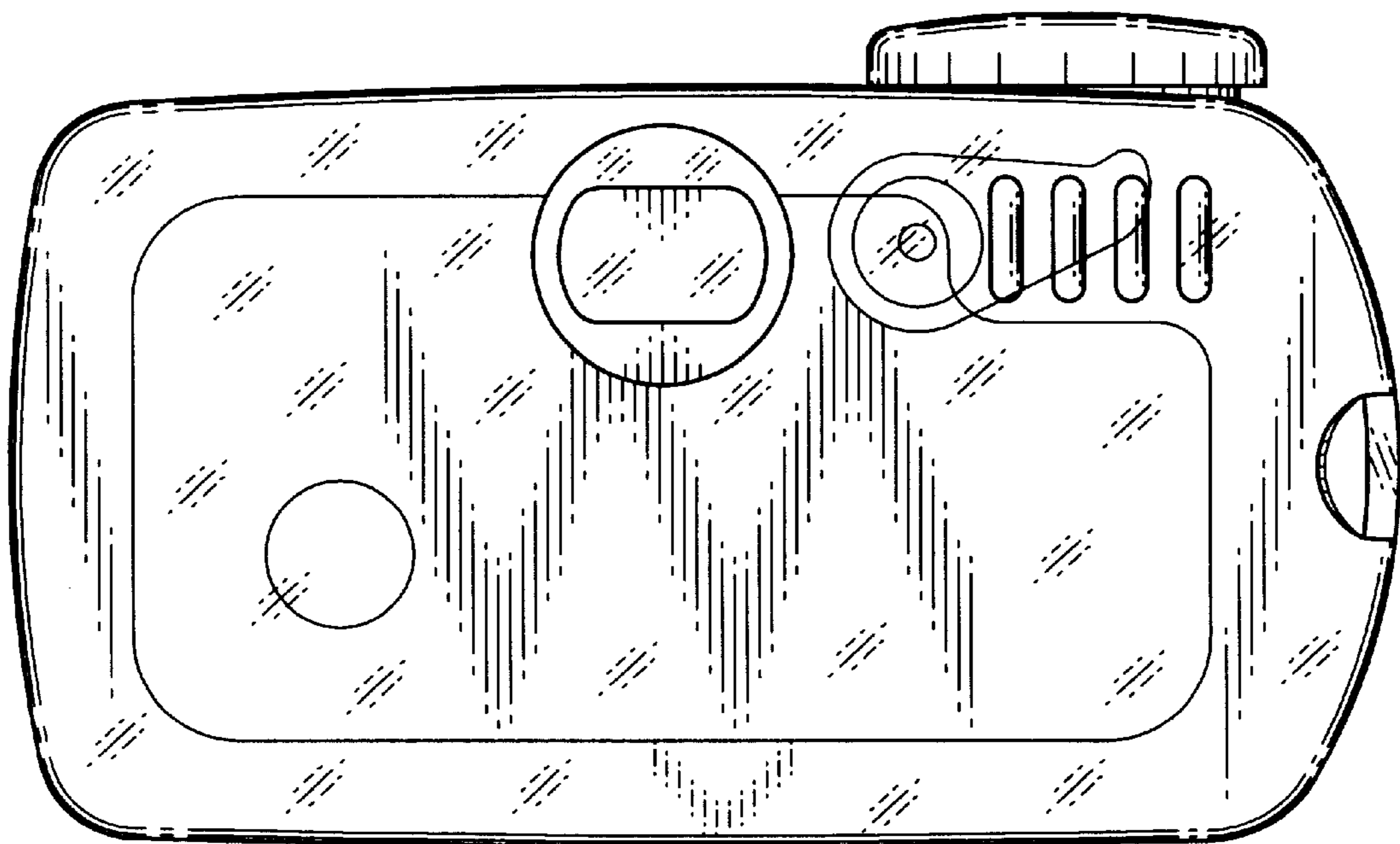


FIG. 4

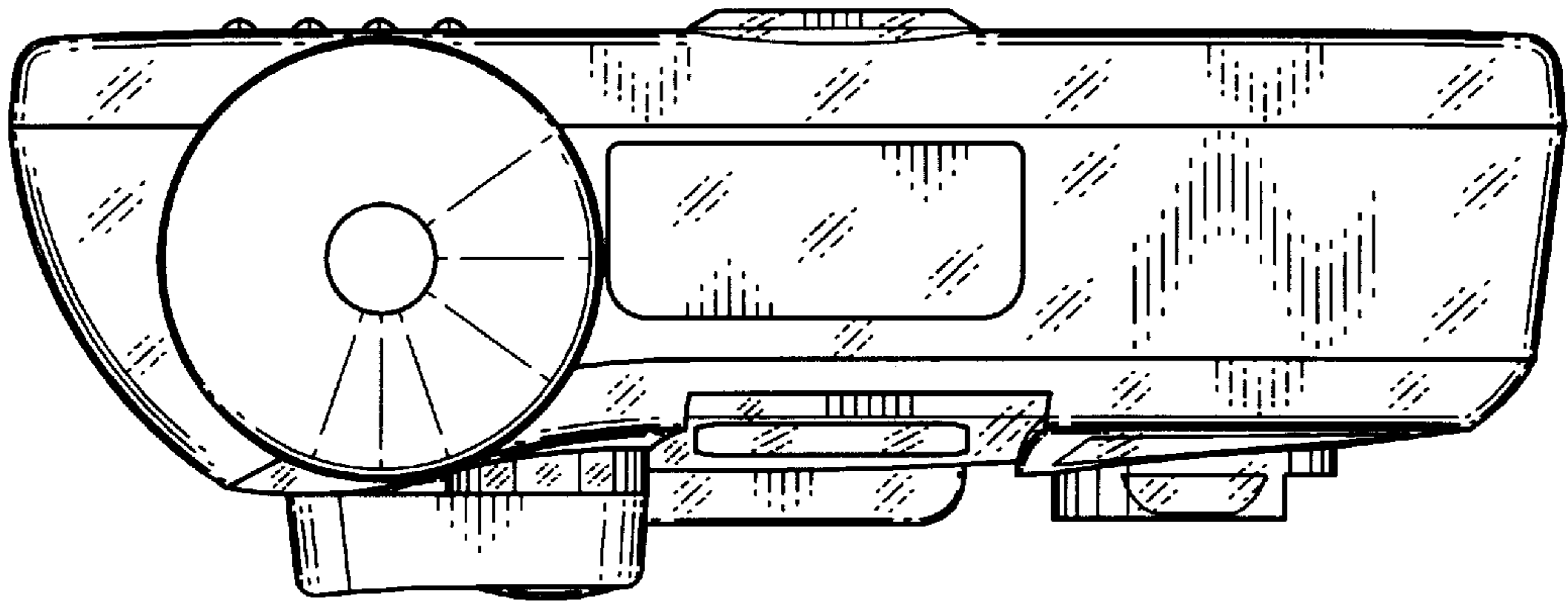


FIG. 5

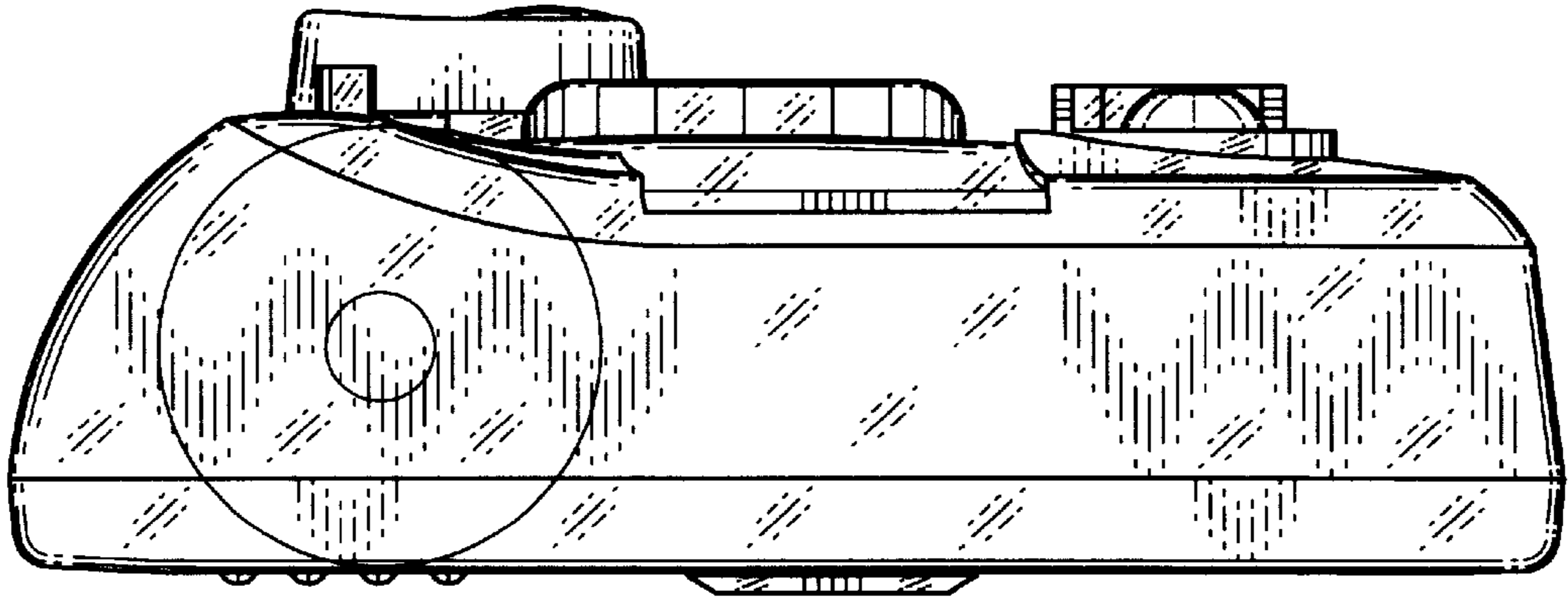


FIG. 7

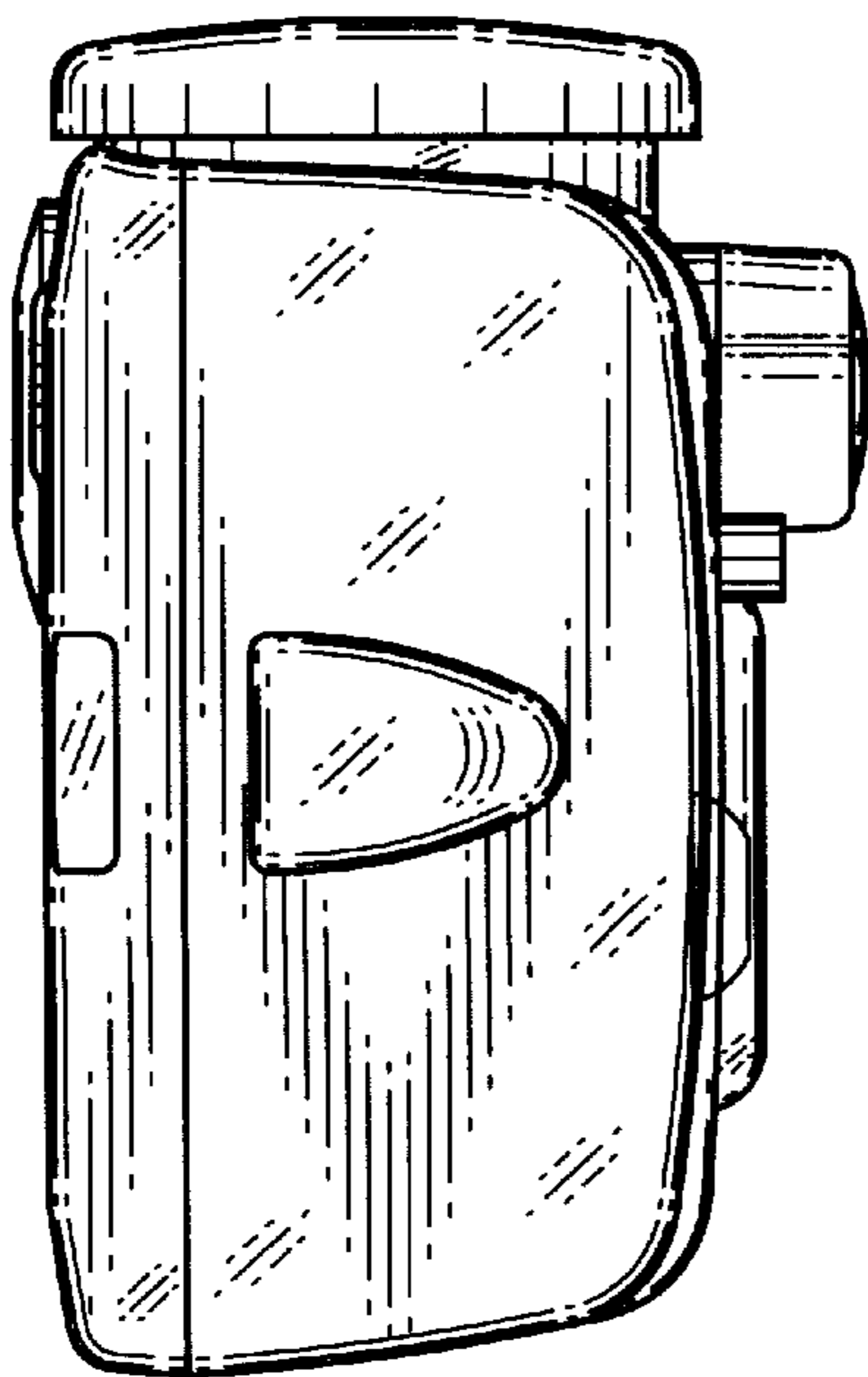


FIG. 6

