



US00D438877S

(12) **United States Design Patent**  
**Gukeisen et al.**

(10) **Patent No.: US D438,877 S**  
(45) **Date of Patent: \*\* Mar. 13, 2001**

(54) **COMBINED TOOL AND BATTERY BOX**

(75) Inventors: **Gary Allen Gukeisen**, Dubuque, IA (US); **Thomas Howard Ward**, Ventura, CA (US)

(73) Assignee: **Deere & Company**, Moline, IL (US)

(\*\*) Term: **14 Years**

(21) Appl. No.: **29/124,499**

(22) Filed: **Jun. 6, 2000**

(51) **LOC (7) Cl.** ..... **15-04**

(52) **U.S. Cl.** ..... **D15/28**

(58) **Field of Search** ..... D3/905; D15/10,  
D15/22-28; D25/63.65; 180/68.5, 89.12,  
900

(56) **References Cited**

**U.S. PATENT DOCUMENTS**

D. 354,210	*	1/1995	Dickinson et al.	.....	D25/63
D. 355,828	*	2/1995	Dickinson et al.	.....	D25/63
3,667,563	*	6/1972	Korb et al.	.....	180/68.5
4,074,788	*	2/1978	Joubert	.....	180/89.12
5,593,167	*	1/1997	Barnhardt et al.	.....	180/68.5

**OTHER PUBLICATIONS**

Ford Brochure entitled "Tractor Loader Backhoes 455D, 555D, 575D and 655D", 19 pages, printed in the U.S.A. Undated.

Ford Brochure entitled "Specifications 655A", printed in the U.S.A.

Deere & Company Brochure entitled "310E Backhoe Loaders", 20 pages, printed in the U.S.A. Undated.

Massey-Ferguson Brochure entitled "MF50H/HX Elite Powershuttle Backhoe Loader", printed in the U.S.A., 1985.

Bucyrus-Eric Brochure entitled "Dynahoe 190-4 200-4 4 Wheel Drive Models", 20 pages, printed in the U.S.A.

Case Brochure entitled "480D Construction King", Form UD87780, printed in the U.S.A.

Caterpillar Brochure entitled "416 Backhoe Loader", 11 pages, printed in the U.S.A.

Deere & Company's Operator's Manual OMT163301 17 entitled "410E Backhoe Loader", Introduction, pp. 05-1, 55-1, and 90-12, printed in the U.S.A. Undated.

\* cited by examiner

*Primary Examiner*—Sandra L. Morris

(57) **CLAIM**

The ornamental design for a combined tool and battery box, as shown and described.

**DESCRIPTION**

FIG. 1 is a side view of a combined tool and battery box showing our new design, the broken lines showing a work vehicle being for illustrative purposes only, and forms no part of the claimed design.

FIG. 2 is a front/left perspective view of the combined tool and battery box design of FIG. 1.

FIG. 3 is top view of the combined tool and battery box design of FIG. 1.

FIG. 4 is a left side view of the combined tool and battery box design of FIG. 1.

FIG. 5 is a front view of the combined tool and battery box design of FIG. 1.

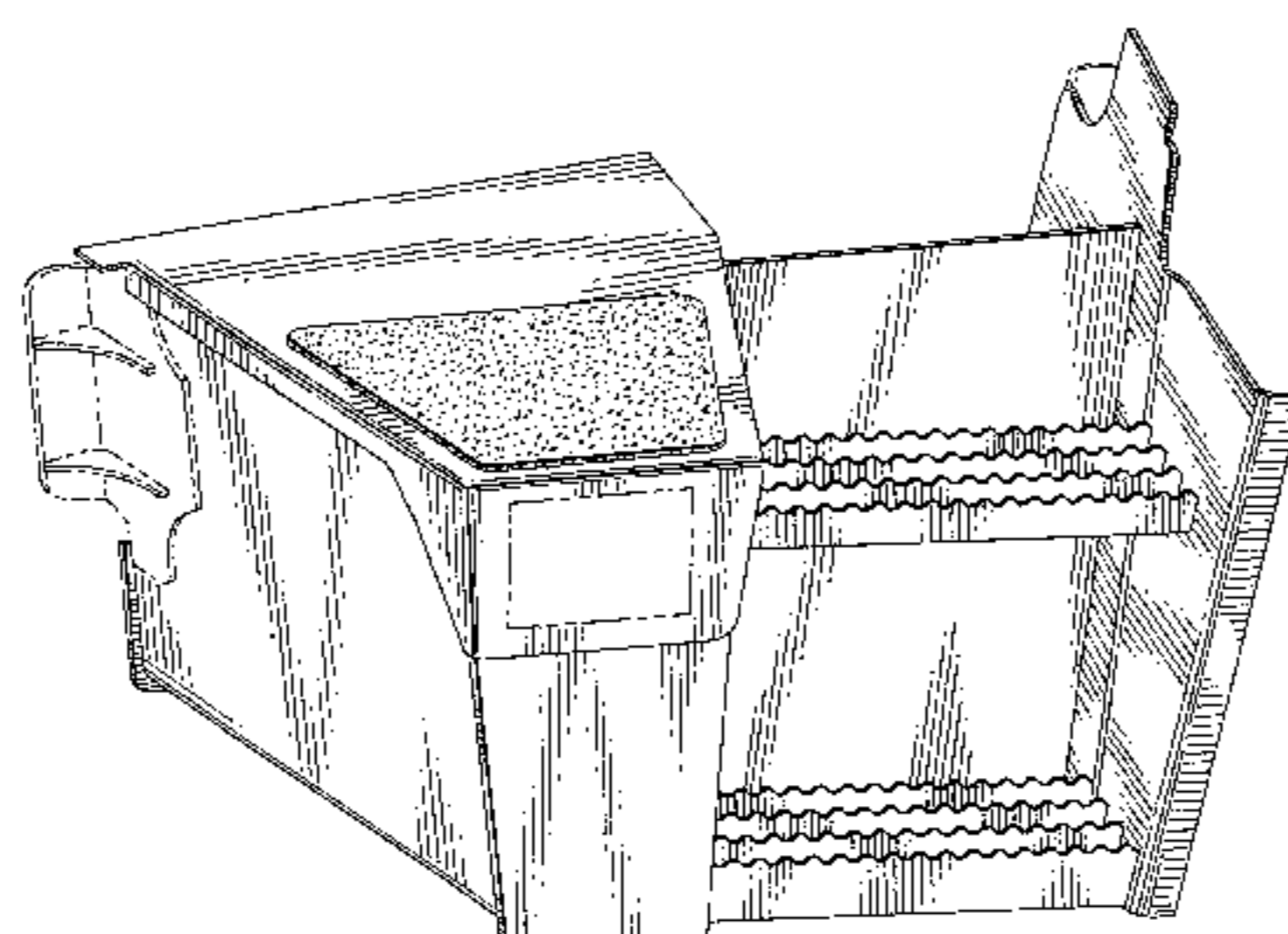
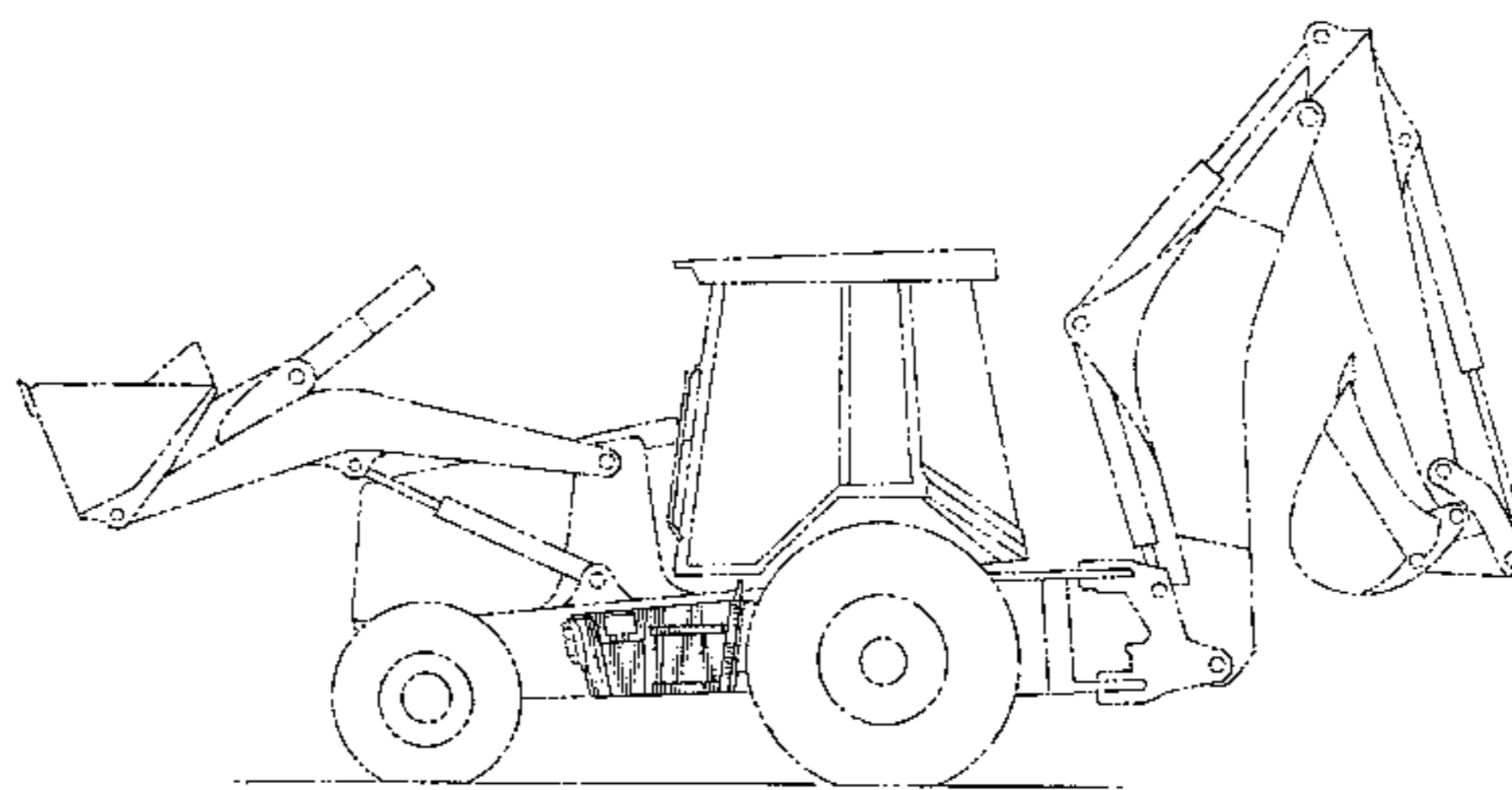
FIG. 6 is a bottom view of the combined tool and battery box design of FIG. 1.

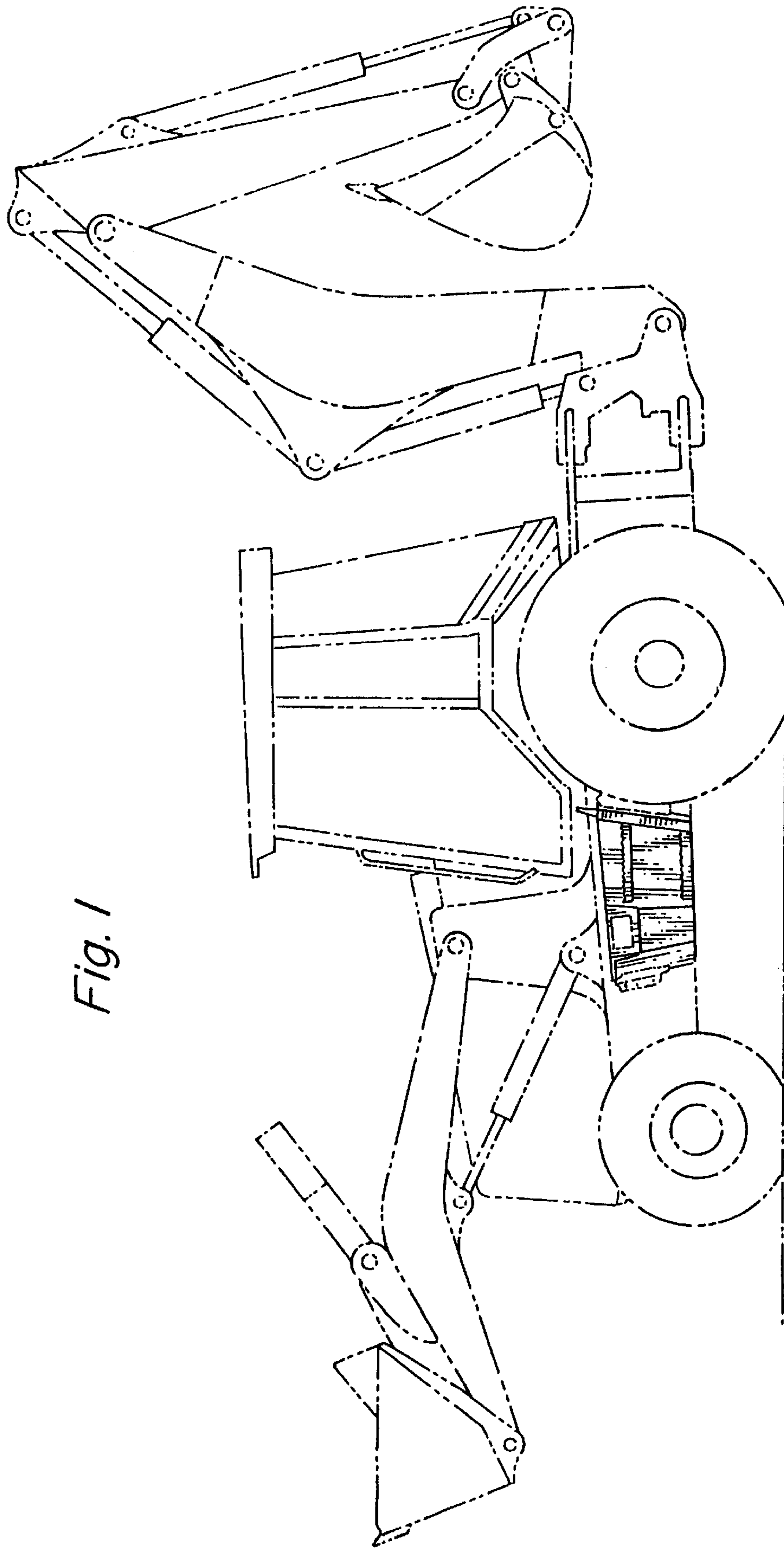
FIG. 7 is a rear view of the combined tool and battery box design of FIG. 1; and,

FIG. 8 is a right side view of the combined tool and battery box design of FIG. 1.

The broken line showing of the boundaries is for illustrative purposes only, and forms no part of the claims design.

**1 Claim, 5 Drawing Sheets**





*Fig. 1*

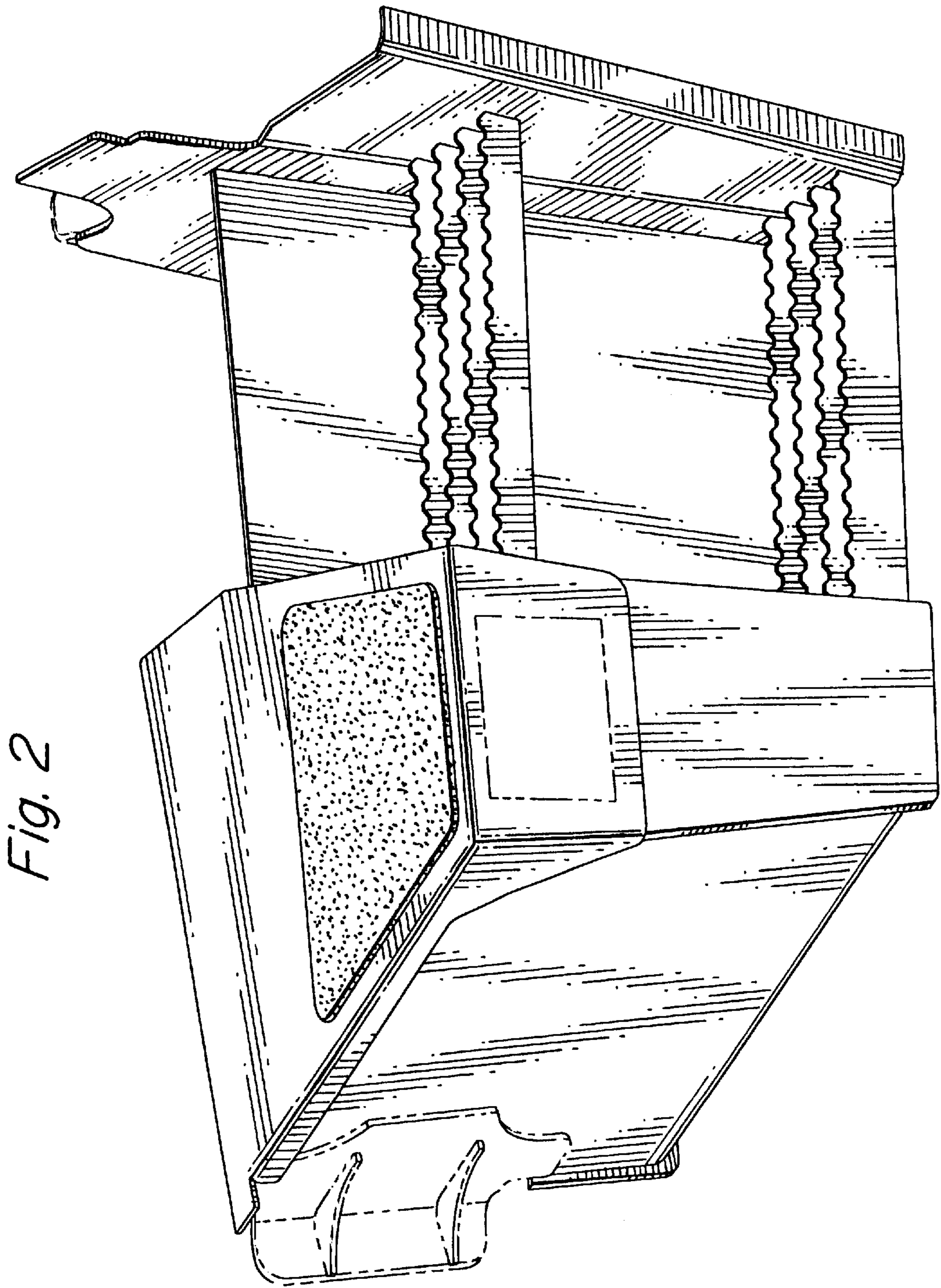
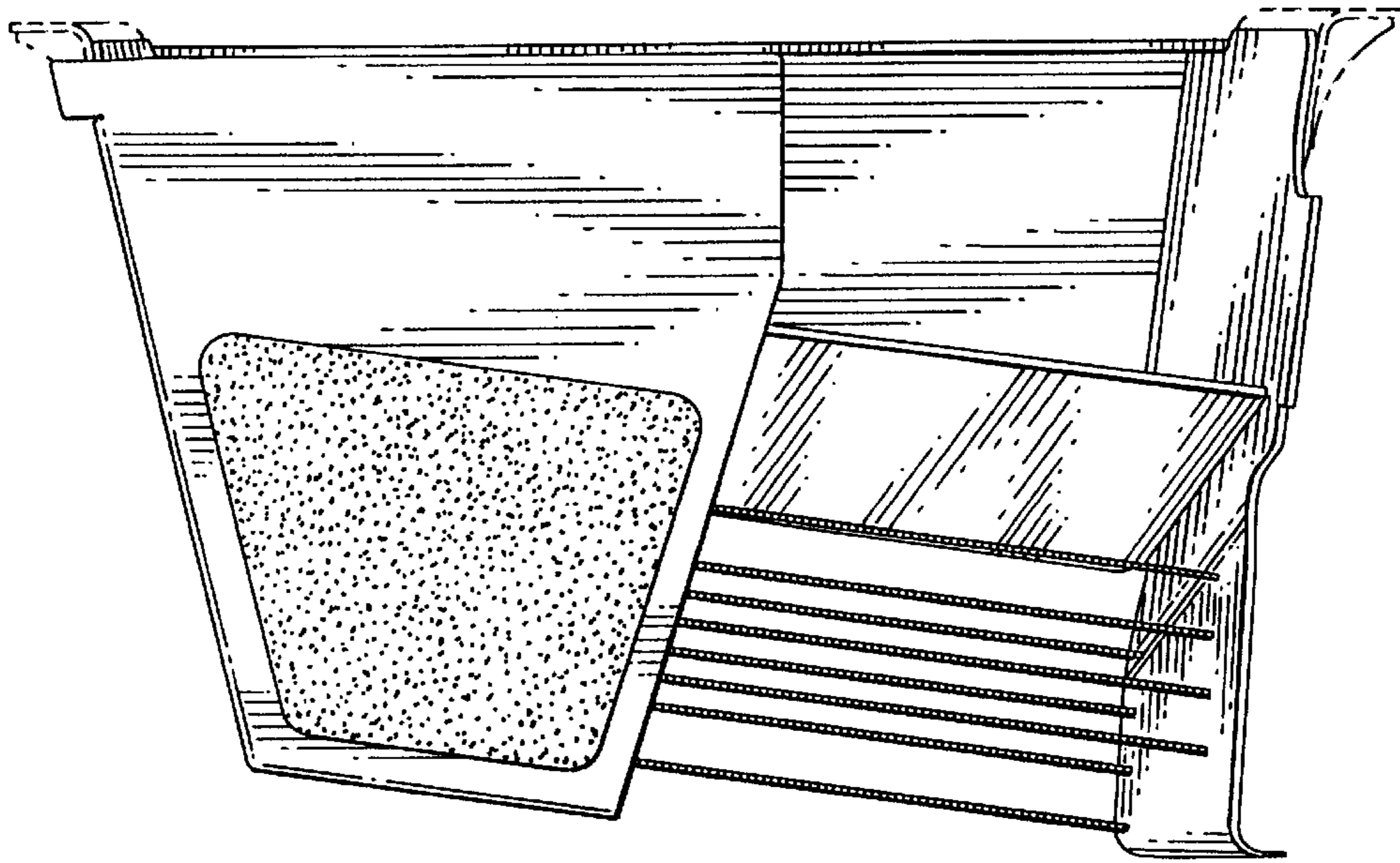
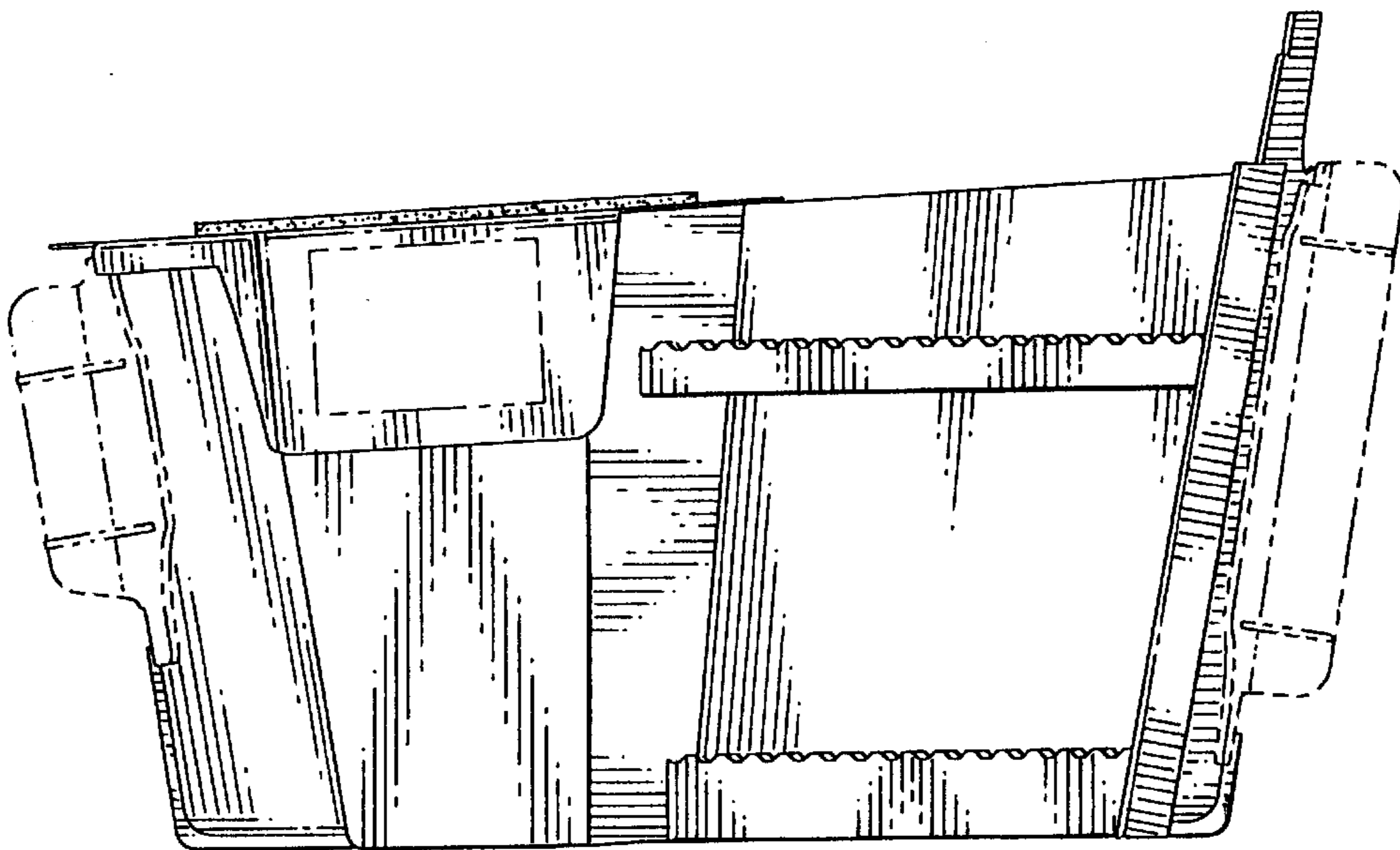


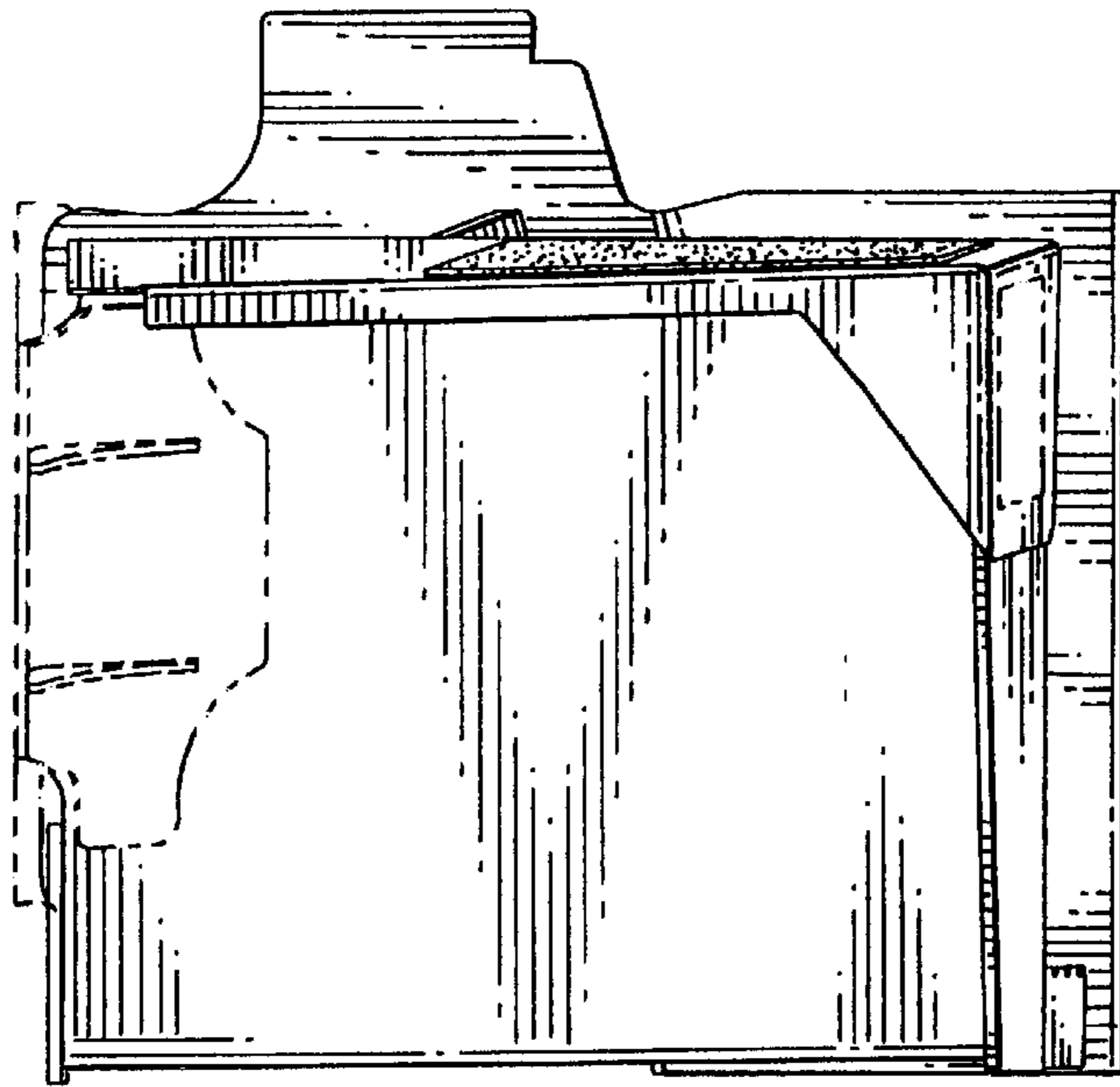
Fig. 2



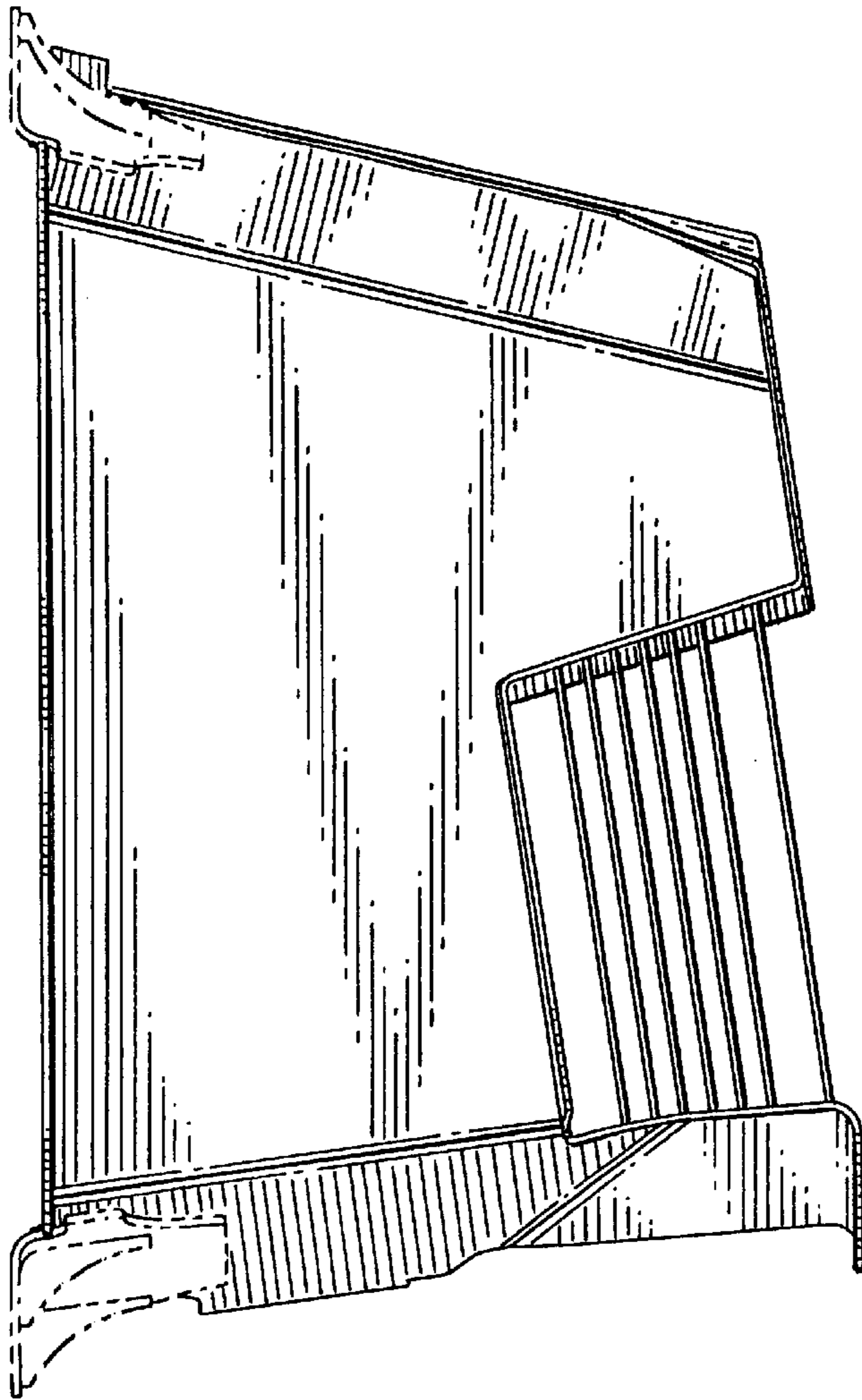
*Fig. 3*



*Fig. 4*



*Fig. 5*



*Fig. 6*

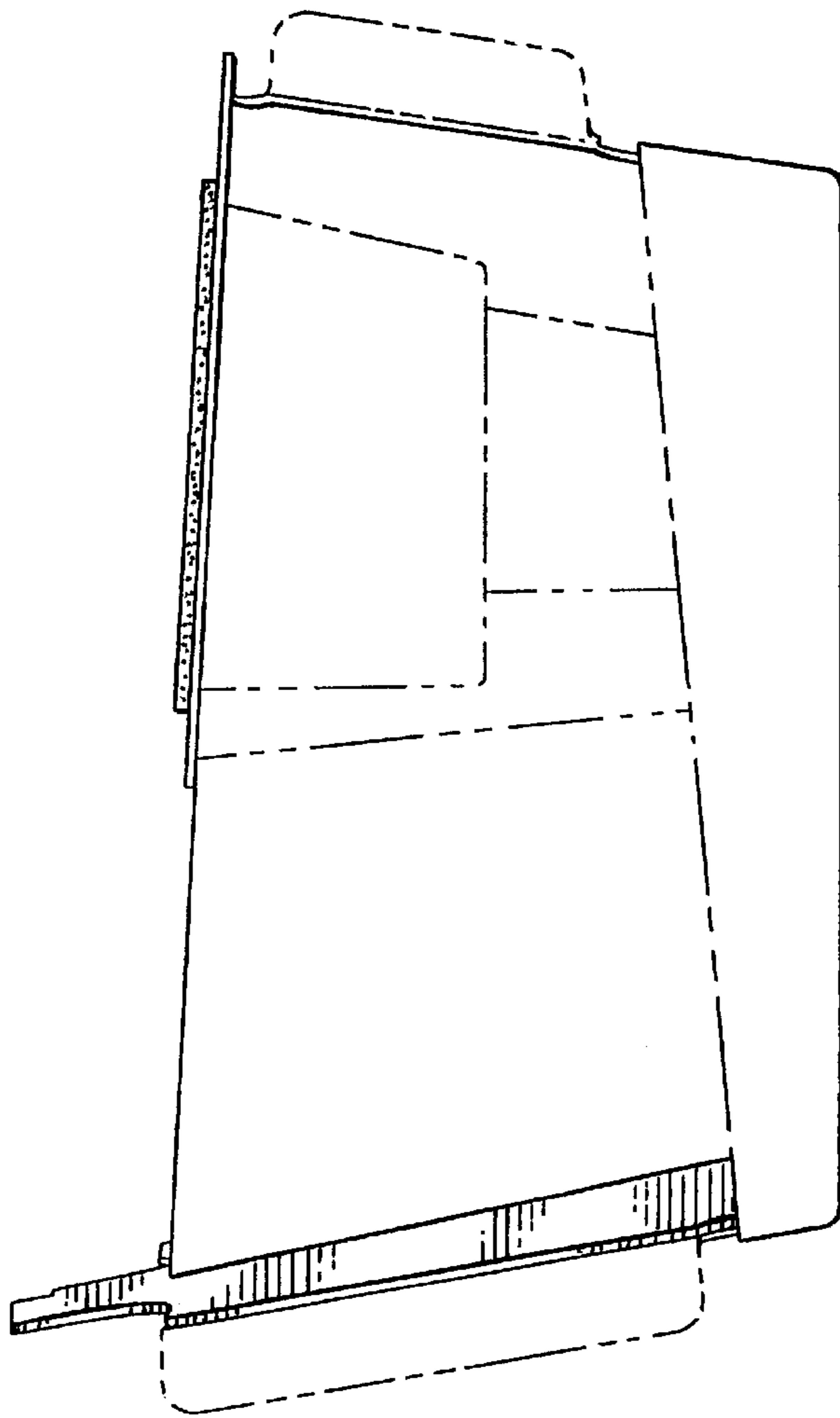


Fig. 8

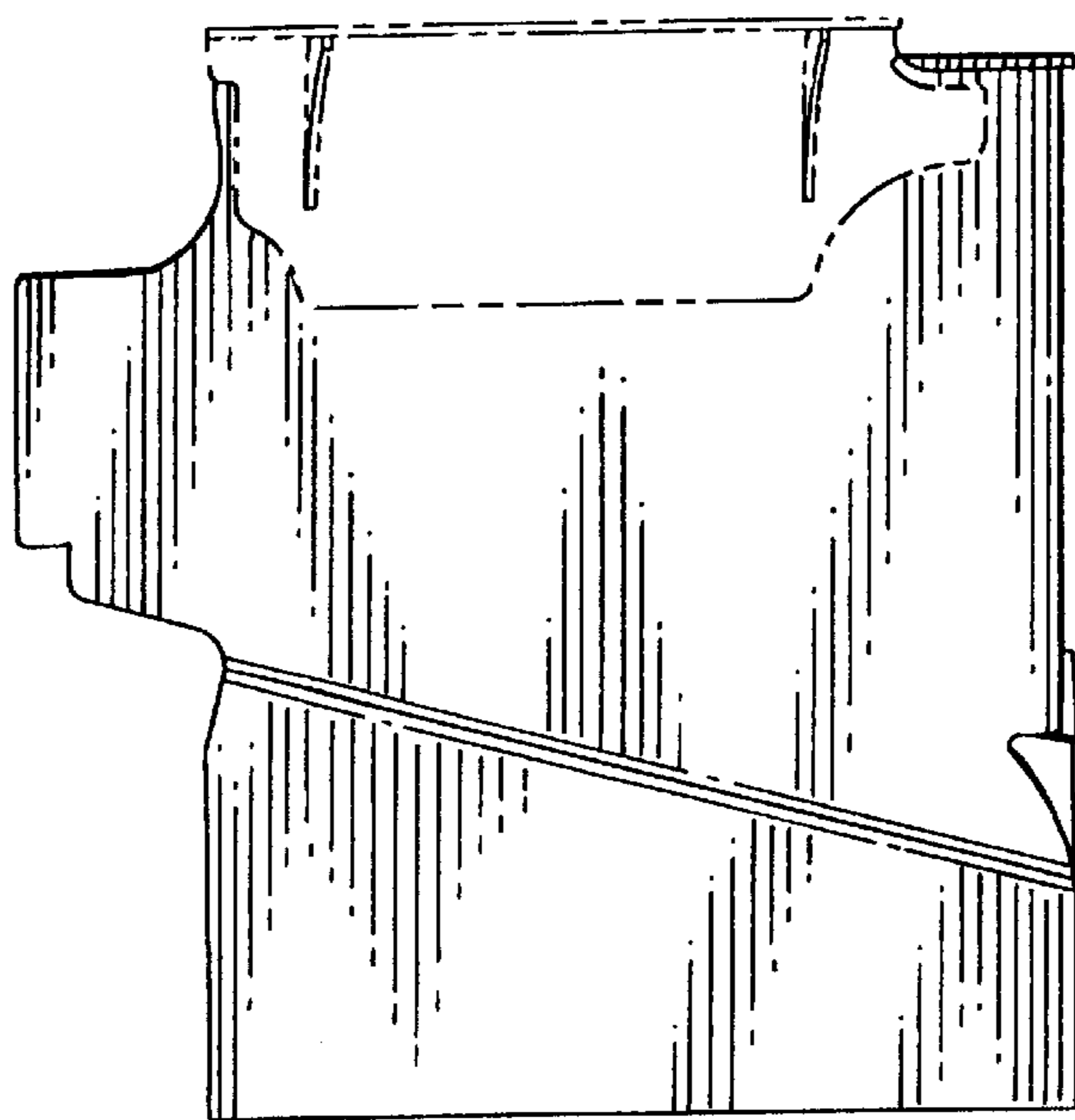


Fig. 7