



US00D438876S

(12) **United States Design Patent**  
**Clivio**

(10) **Patent No.:** **US D438,876 S**

(45) **Date of Patent:** **\*\* Mar. 13, 2001**

(54) **FOUNTAIN PUMP SET**

D. 407,411 \* 3/1999 Chalberg et al. .... D15/7

(75) Inventor: **Franco Clivio**, Erlenbach (CH)

**OTHER PUBLICATIONS**

(73) Assignee: **Gardena Kress + Kastner GmbH**  
(DE)

Hozelock Aquatics 1997 publication.  
OASE 1999 publication.  
Ubbink Händlerkatalog 1999 publication.

(\*\*) Term: **14 Years**

\* cited by examiner

(21) Appl. No.: **29/119,138**

*Primary Examiner*—Ralf Seifert

(22) Filed: **Feb. 24, 2000**

(74) *Attorney, Agent, or Firm*—Akerman Senterfitt

(30) **Foreign Application Priority Data**

(57) **CLAIM**

Aug. 25, 1999 (DE) ..... 4 99 07 976

The ornamental design for a fountain pump set, as shown and described.

(51) **LOC (7) Cl.** ..... **15-02**

**DESCRIPTION**

(52) **U.S. Cl.** ..... **D15/7**

(58) **Field of Search** ..... D15/7-9; 119/76;  
415/906, 909; 417/360, 375-376, 362, 423.3

FIG. 1 is a side perspective view of a fountain pump set showing my new design;

FIG. 2 is a front elevation view thereof;

FIG. 3 is a side elevation view thereof;

FIG. 4 is a rear elevation view thereof;

FIG. 5 is an opposite side elevation view thereof;

FIG. 6 is a top plan view thereof; and,

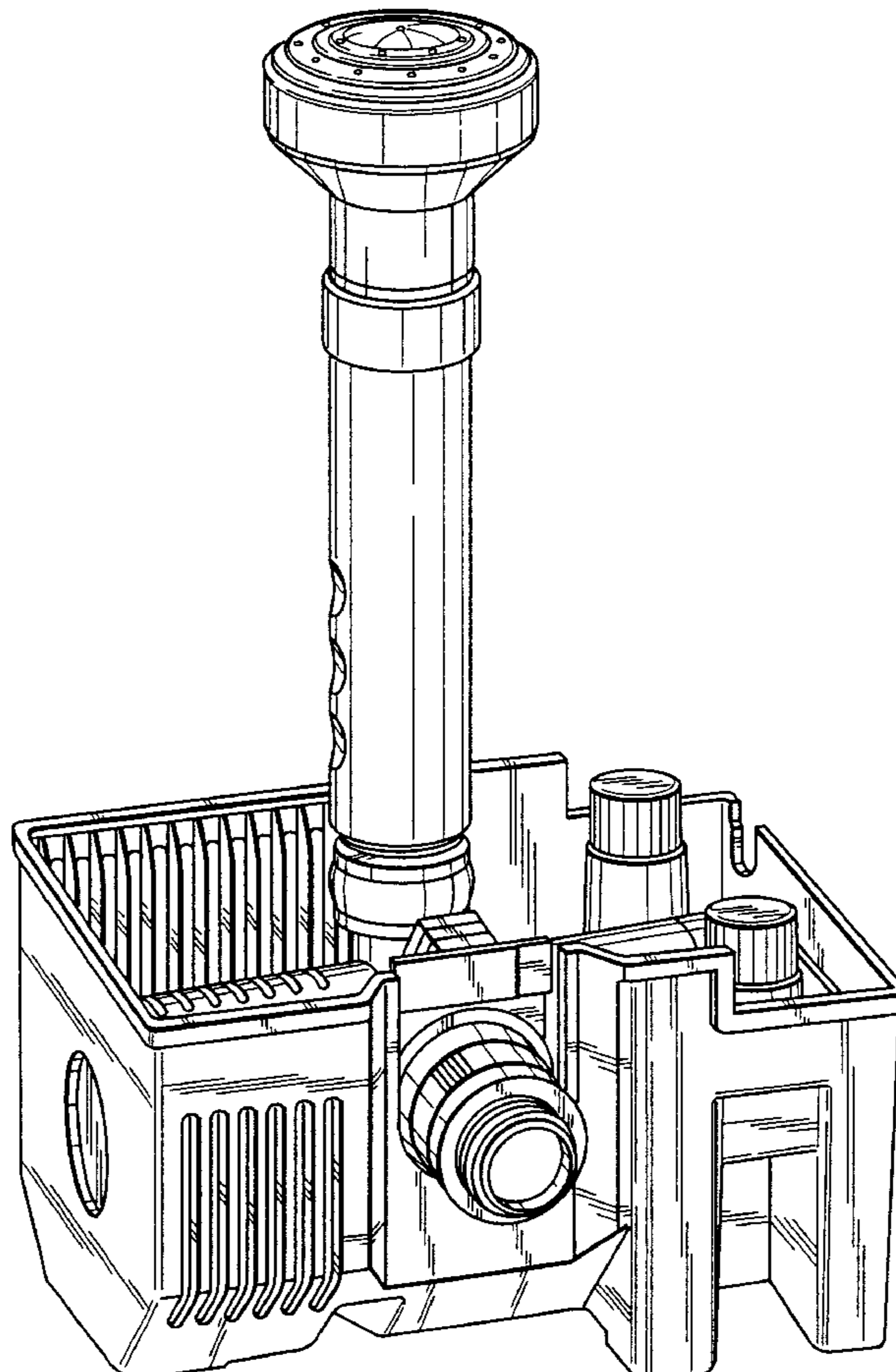
FIG. 7 is a bottom plan view thereof.

(56) **References Cited**

**U.S. PATENT DOCUMENTS**

- D. 354,754 \* 1/1995 Broughton ..... D15/7
- D. 357,687 \* 4/1995 Jenson ..... D15/7
- D. 376,370 \* 12/1996 Davis et al. .... D15/7
- D. 403,329 \* 12/1998 Walker et al. .... D15/7
- D. 404,400 \* 1/1999 Wang ..... D15/7

**1 Claim, 4 Drawing Sheets**



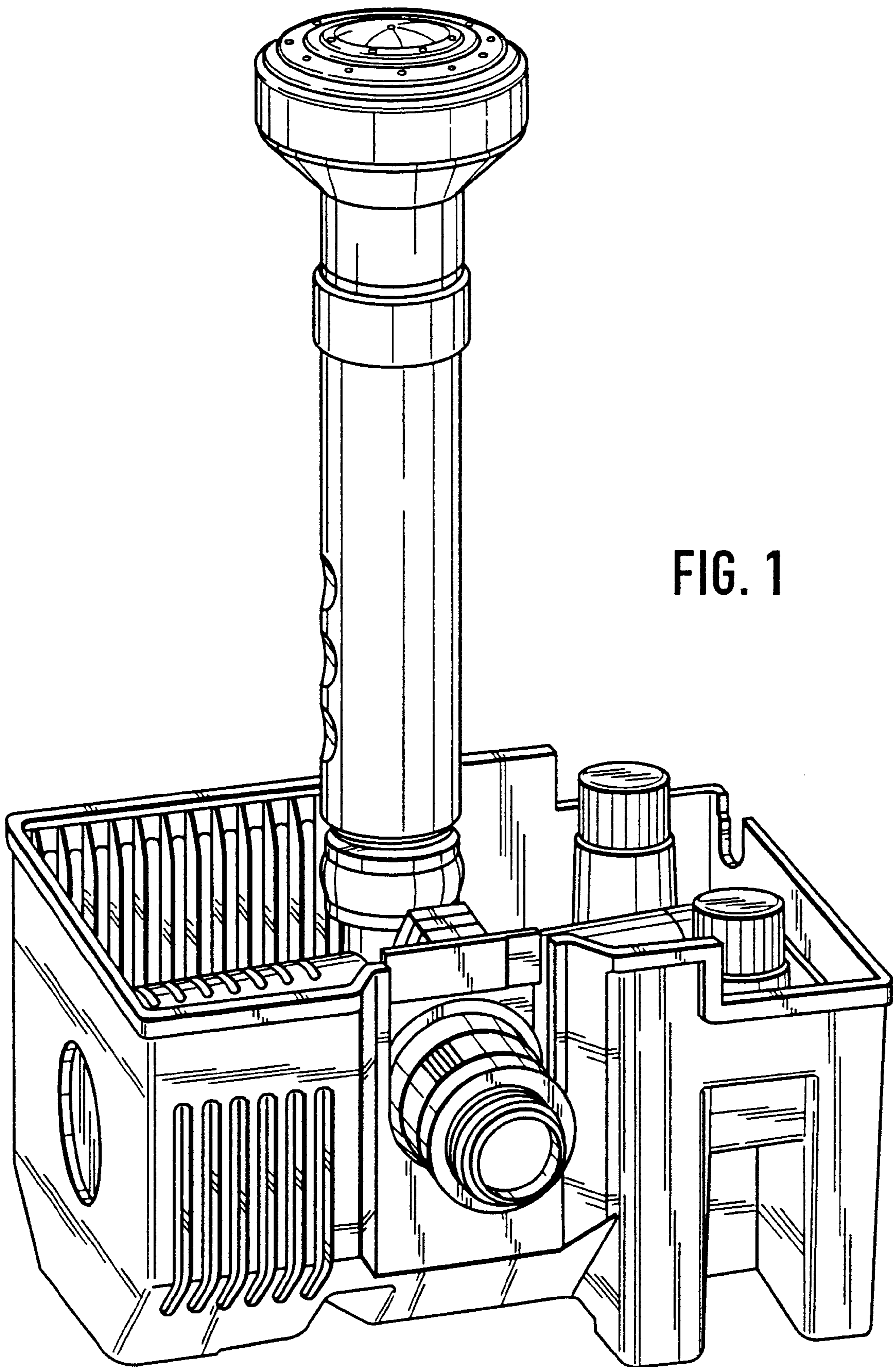


FIG. 1

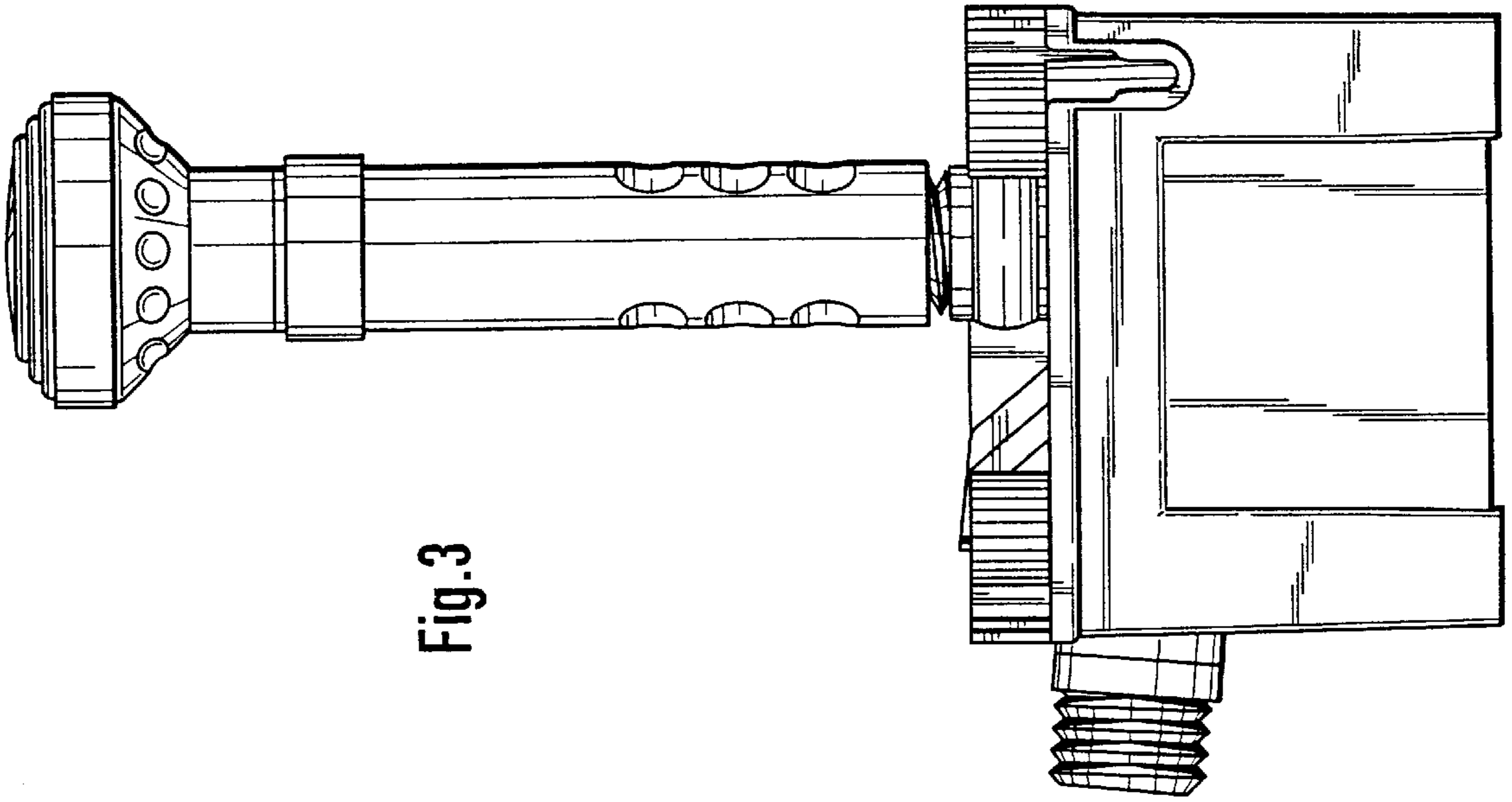


Fig.3

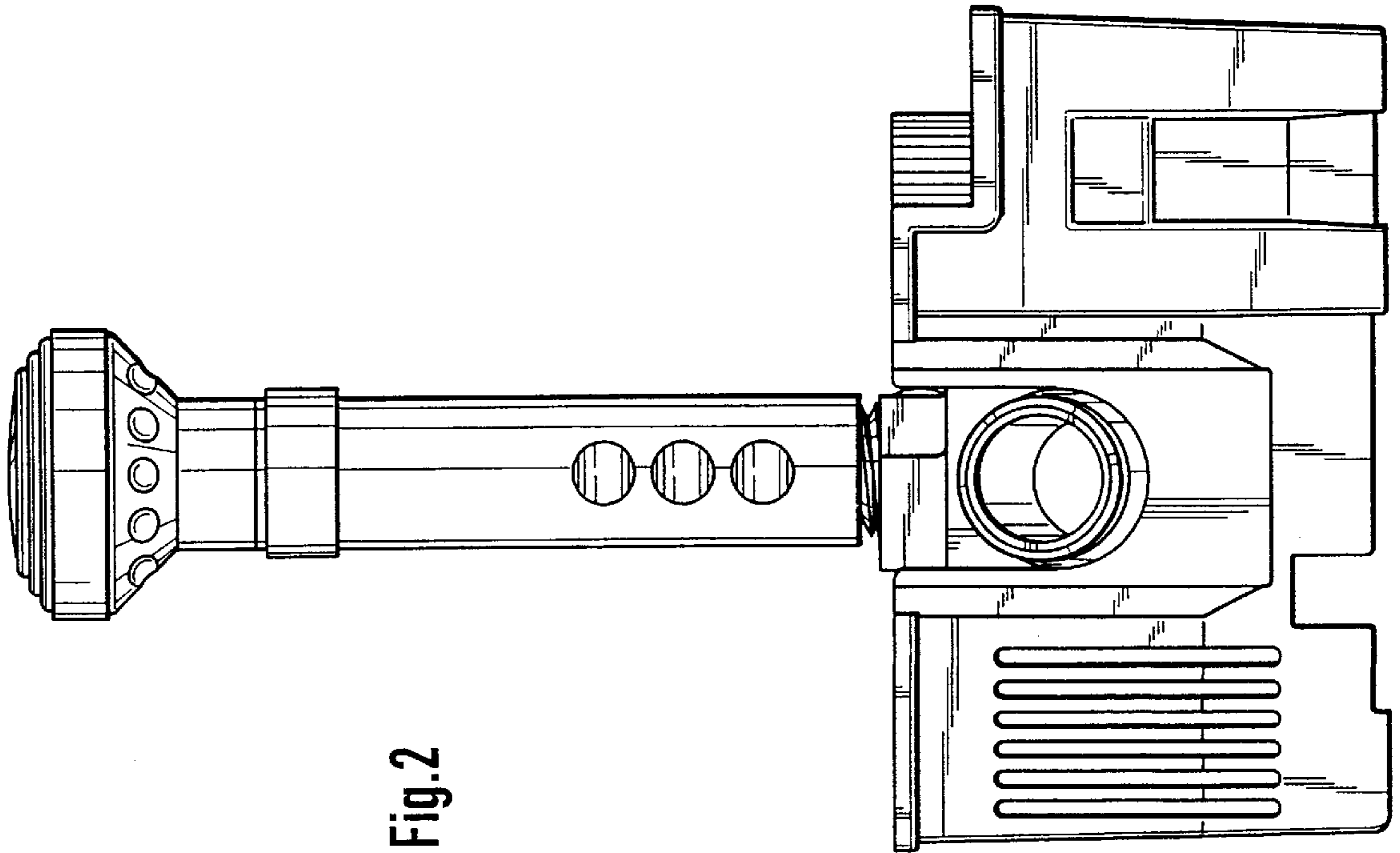
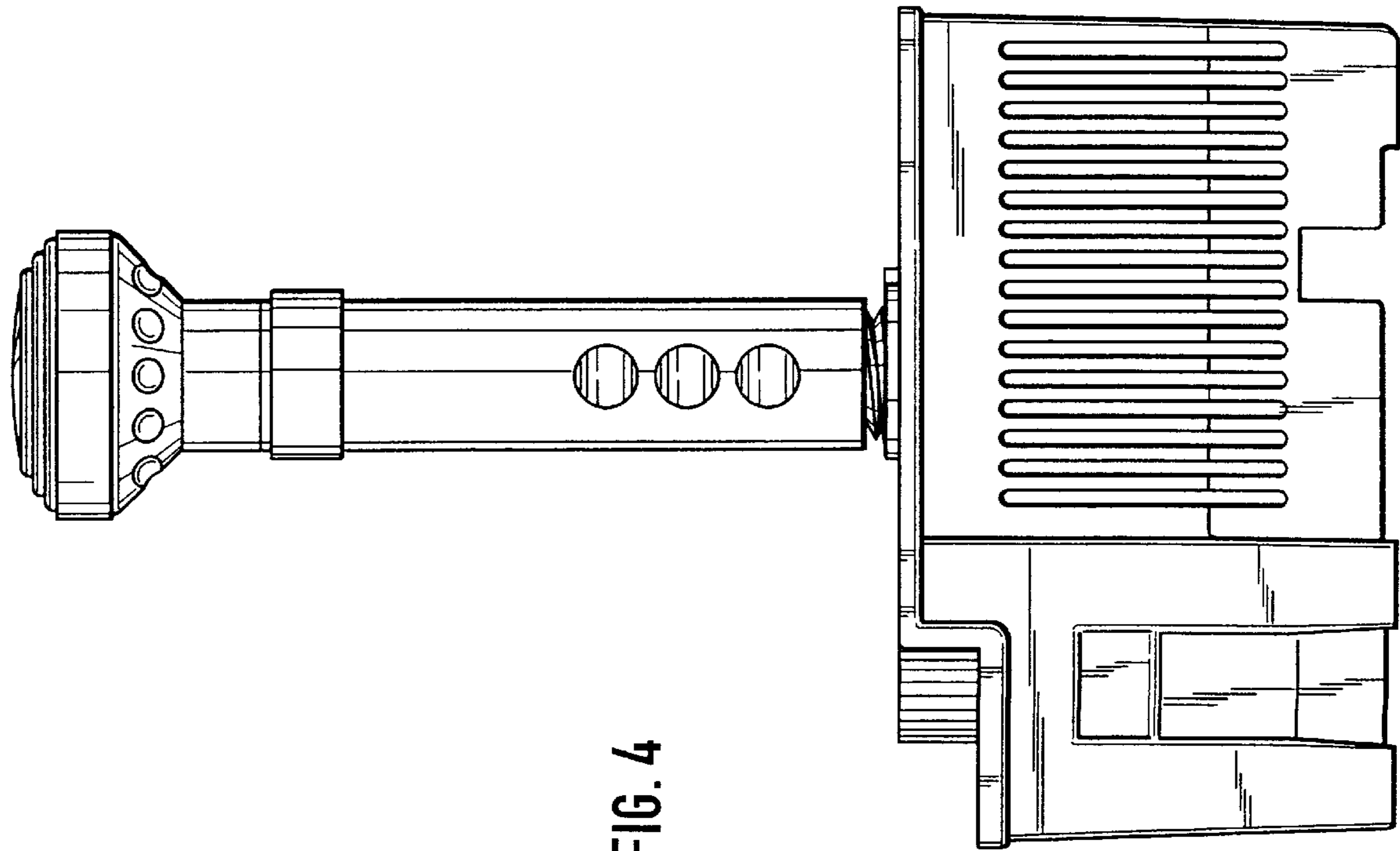
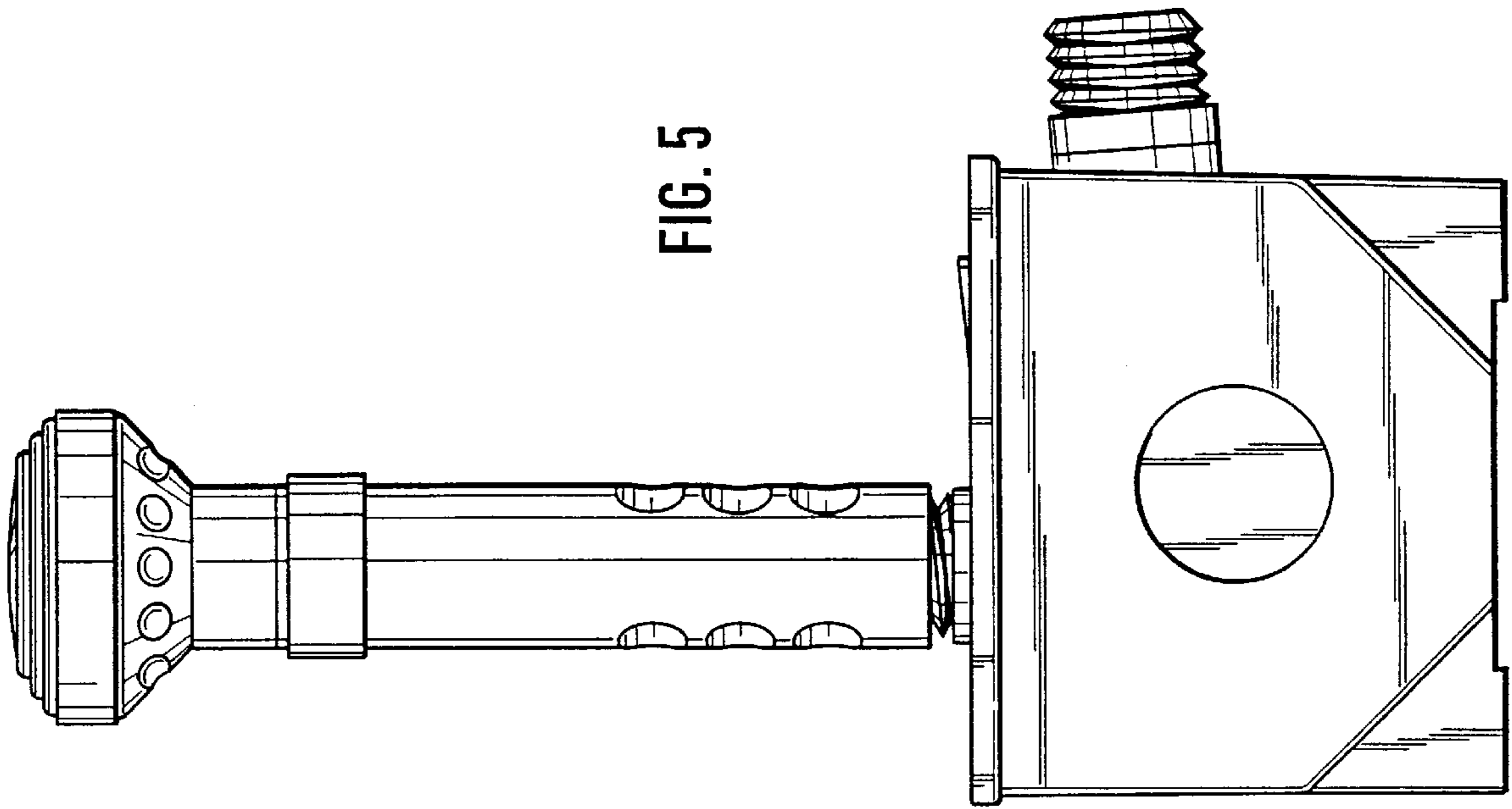


Fig.2



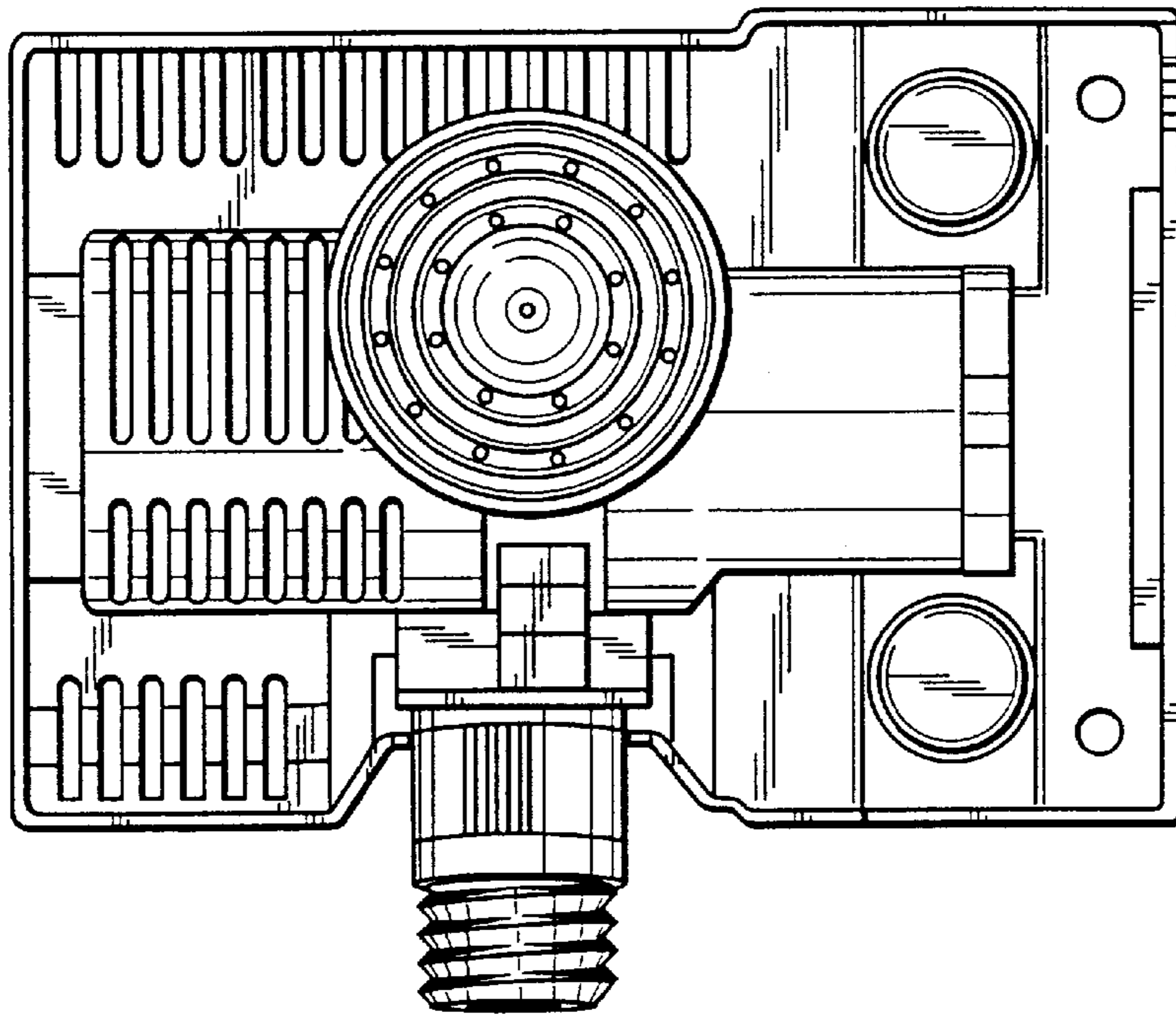


Fig.6

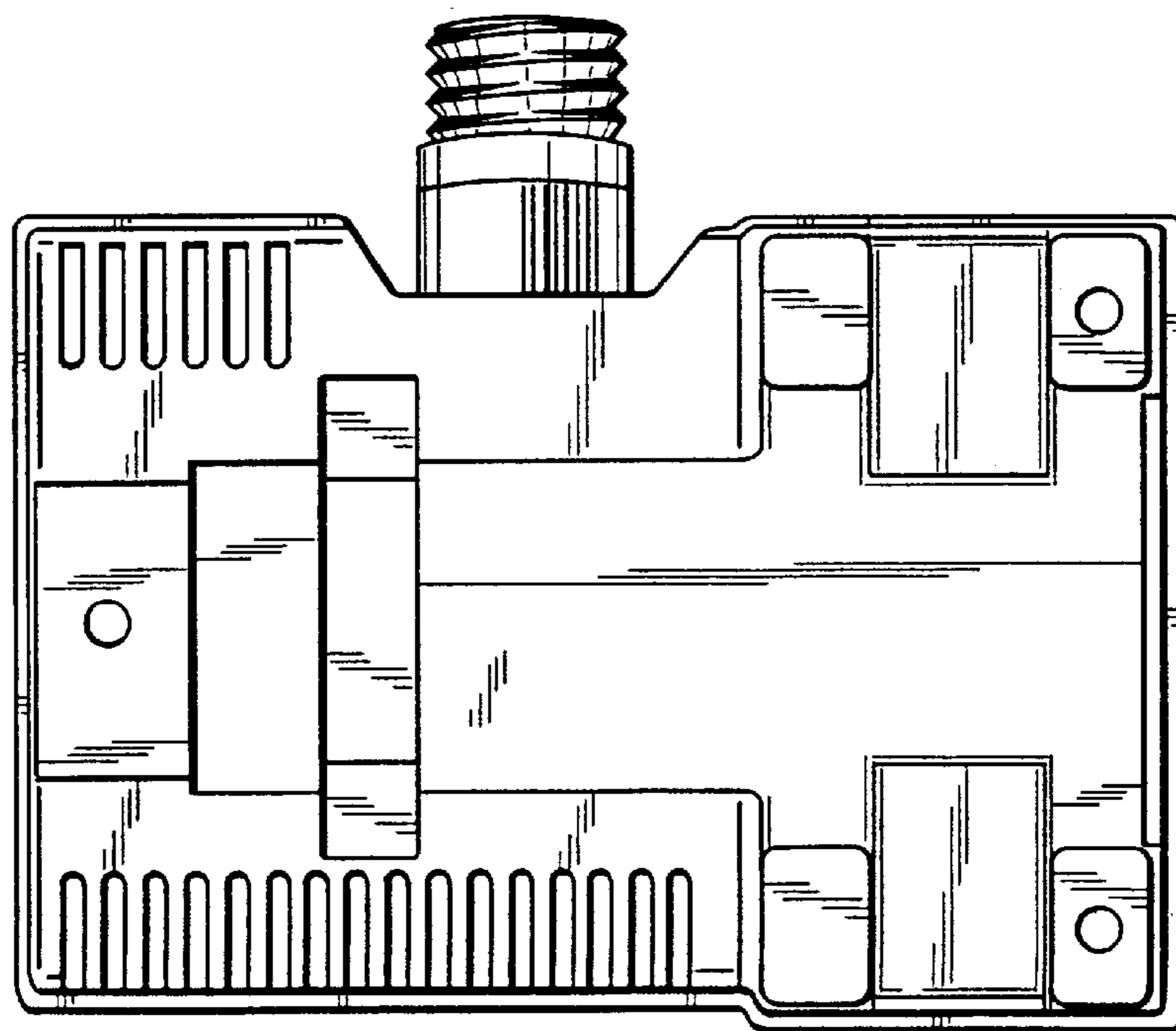


Fig.7