



US00D438875S

(12) **United States Design Patent**
Rozek

(10) **Patent No.:** **US D438,875 S**

(45) **Date of Patent:** **** Mar. 13, 2001**

(54) **COMPRESSOR ASSEMBLY**

5,890,879 4/1999 Rozek 417/363

(75) Inventor: **Roy J. Rozek**, Plymouth, WI (US)

* cited by examiner

(73) Assignee: **Thomas Industries Inc.**, Sheboygan, WI (US)

Primary Examiner—Ralf Seifert

(74) *Attorney, Agent, or Firm*—Quarles & Brady LLP

(**) Term: **14 Years**

(57) **CLAIM**

(21) Appl. No.: **29/114,389**

The ornamental design for a compressor assembly, as shown and described.

(22) Filed: **Nov. 23, 1999**

DESCRIPTION

(51) **LOC (7) Cl.** **15-02**

(52) **U.S. Cl.** **D15/7**

(58) **Field of Search** D15/7-9; D23/235;
417/360, 415, 428, DIG. 1, 413; 604/152,
153

FIG. 1 is a front, right side perspective view of a compressor assembly showing my new design;
FIG. 2 is a front elevational thereof;
FIG. 3 is a left side elevational view thereof;
FIG. 4 is a rear elevational view thereof;
FIG. 5 is a right side elevational view thereof;
FIG. 6 is a top plan view thereof; and,
FIG. 7 is a bottom plan view thereof.

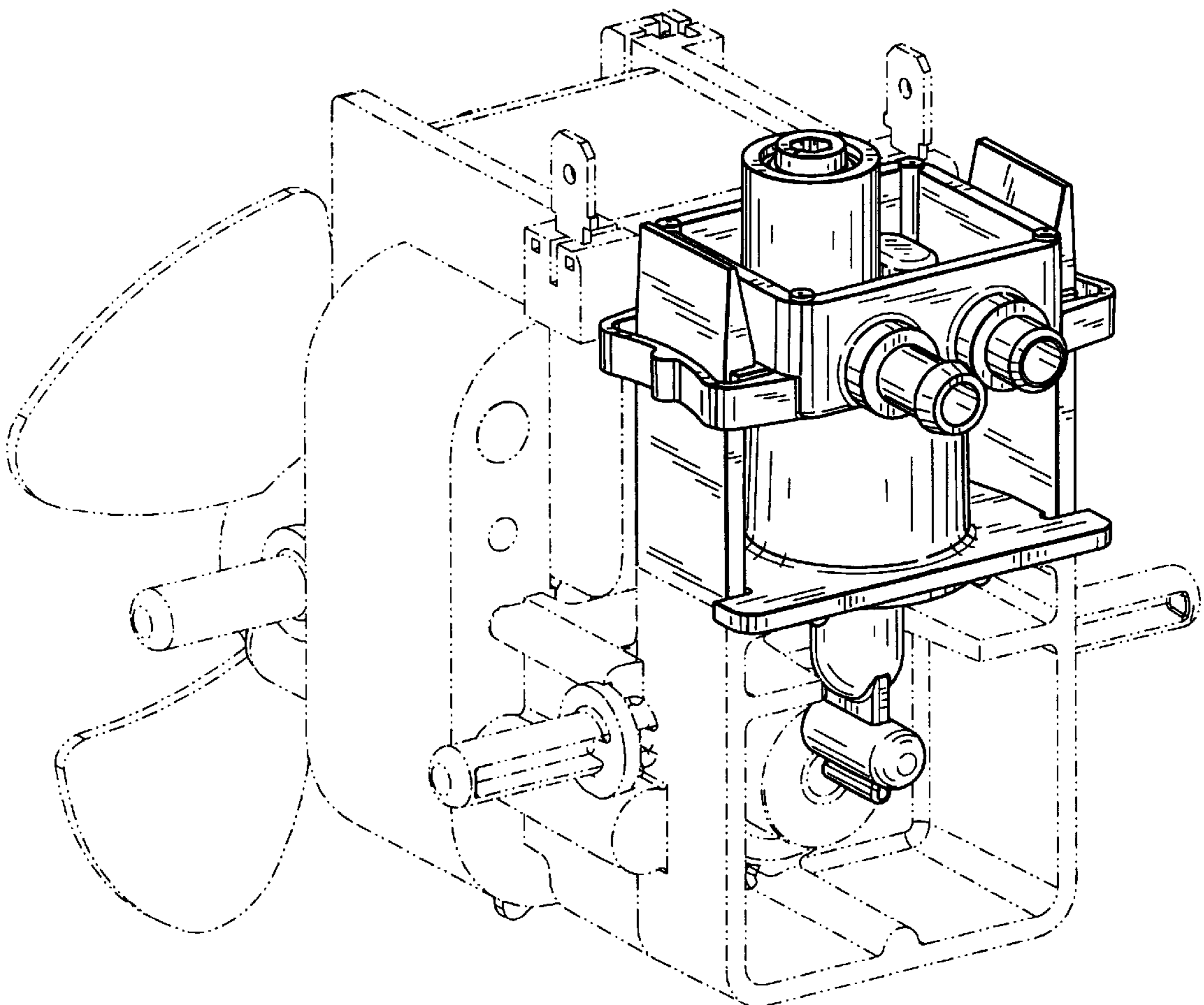
(56) **References Cited**

U.S. PATENT DOCUMENTS

D. 300,034	*	2/1989	Hirakawa et al.	D15/7
D. 377,938	*	2/1997	Rozek	D15/9
D. 405,455	*	2/1999	Leu et al.	D15/9
D. 419,161	*	1/2000	Broughton	D15/7
4,842,498		6/1989	Rozek et al.	417/571
5,718,571		2/1998	Rozek	417/566

In FIGS. 1-7, the broken line immediately next to the structure line represents the bounds of the design. All other broken line matter represents environment. None of the broken lines form any part of the claimed design.

1 Claim, 7 Drawing Sheets



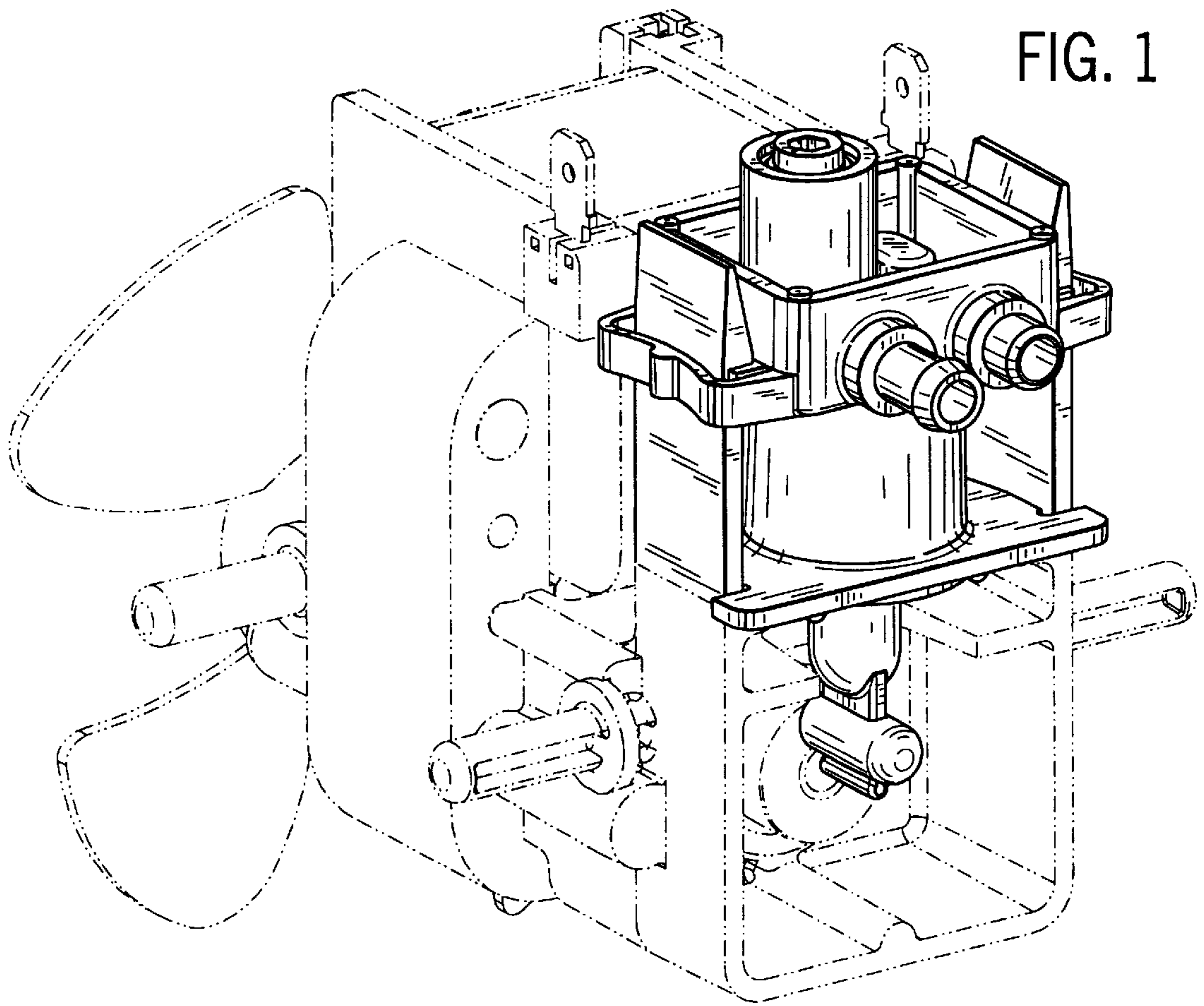
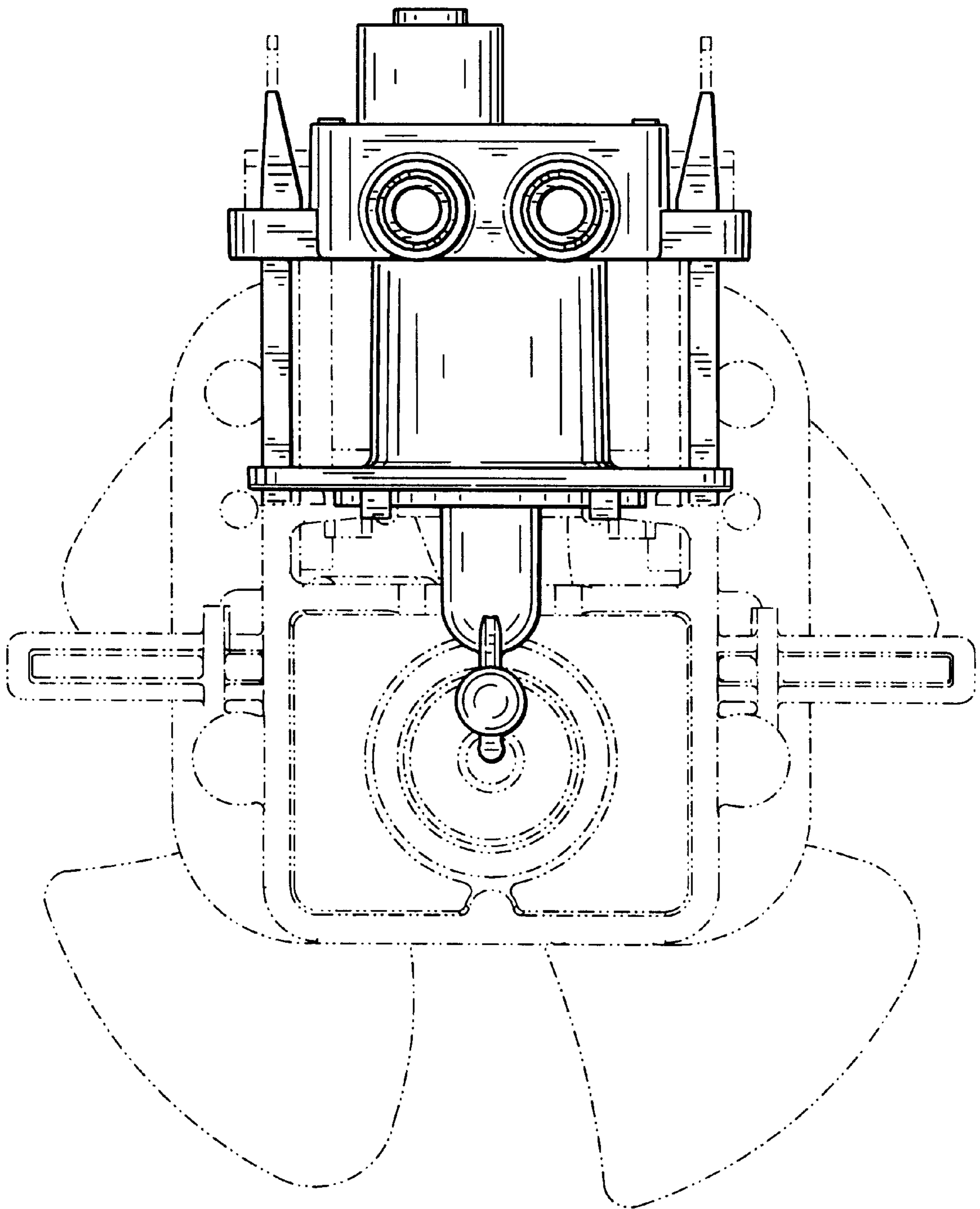


FIG. 2



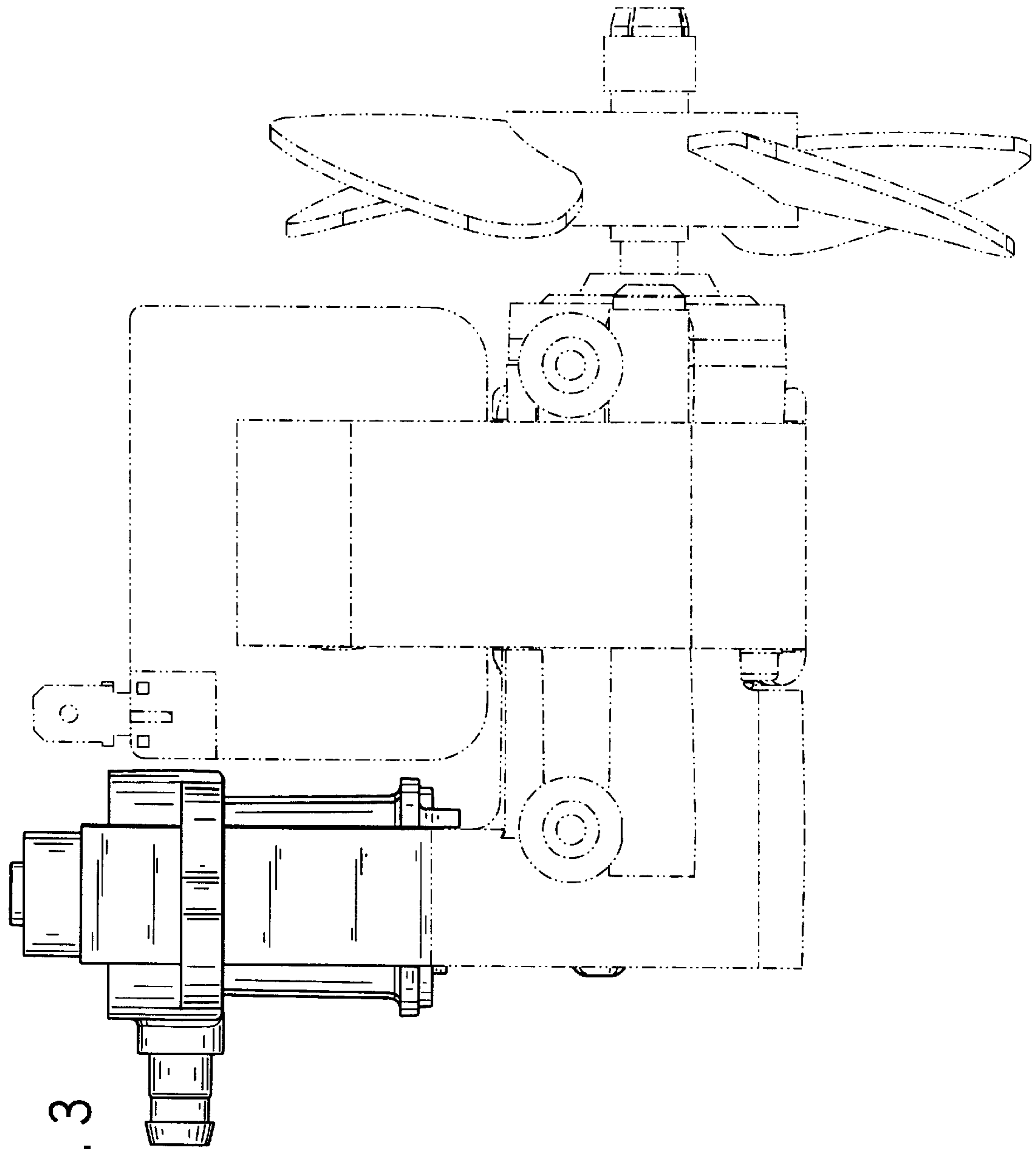


FIG. 3

FIG. 4

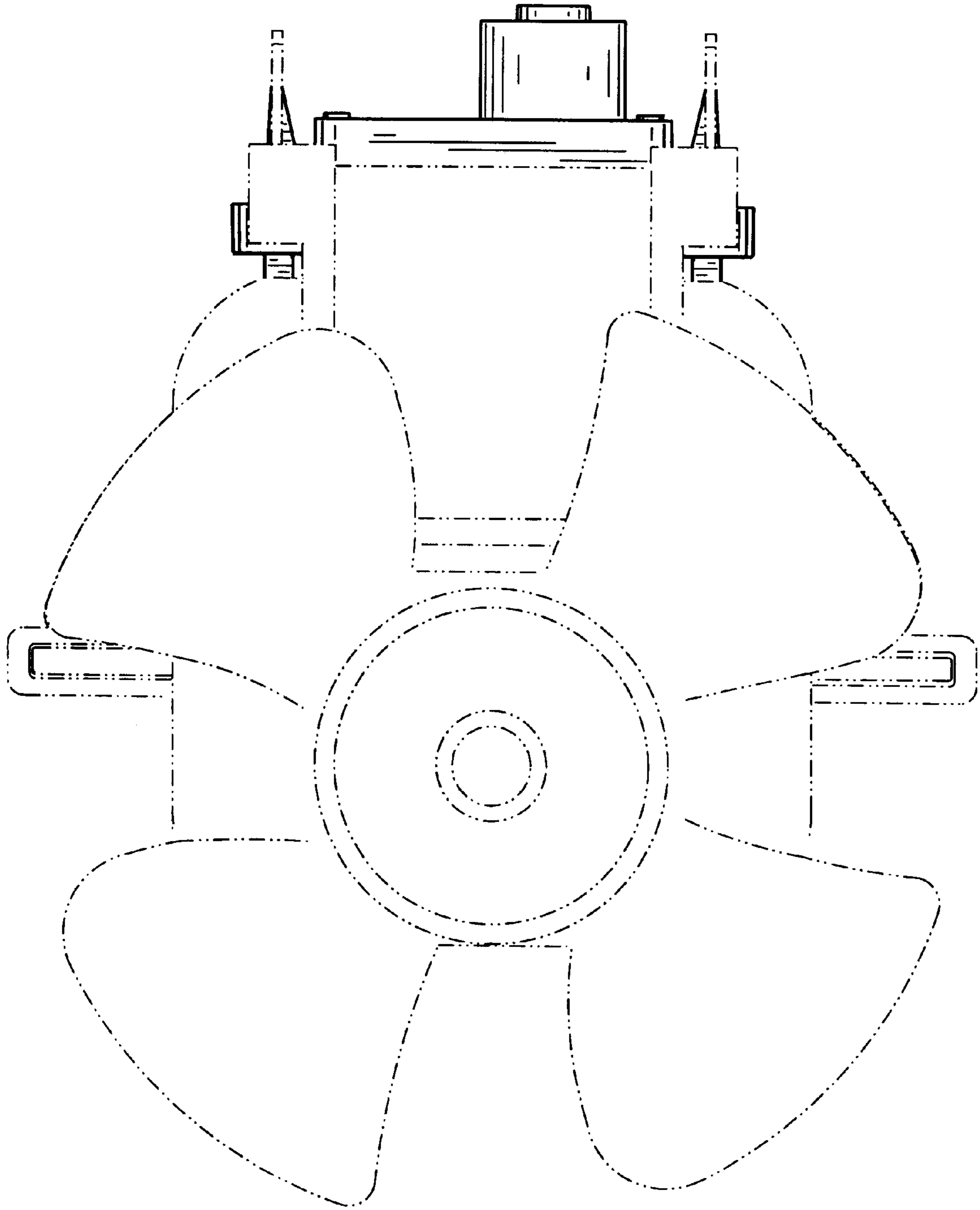


FIG. 5

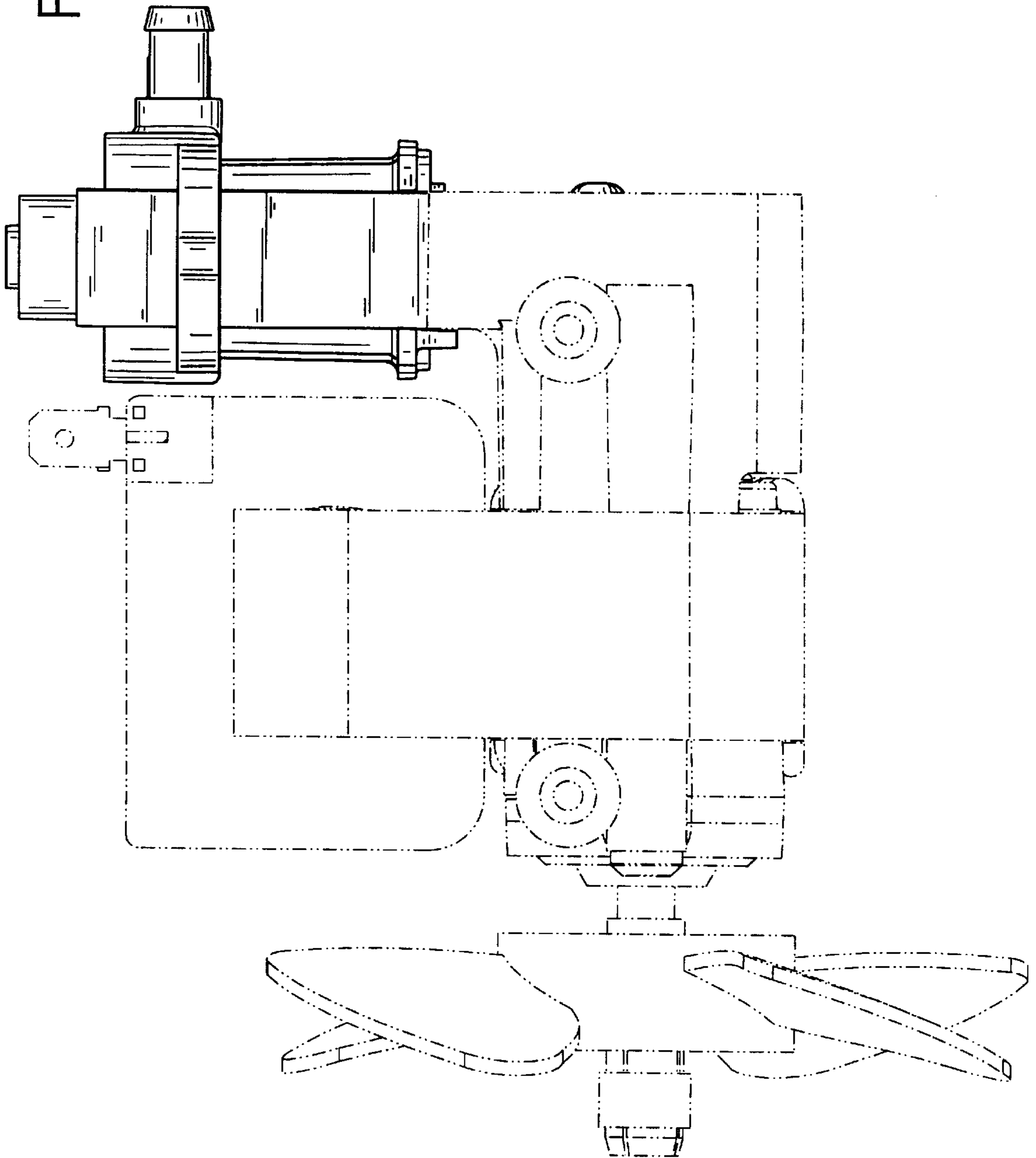


FIG. 6

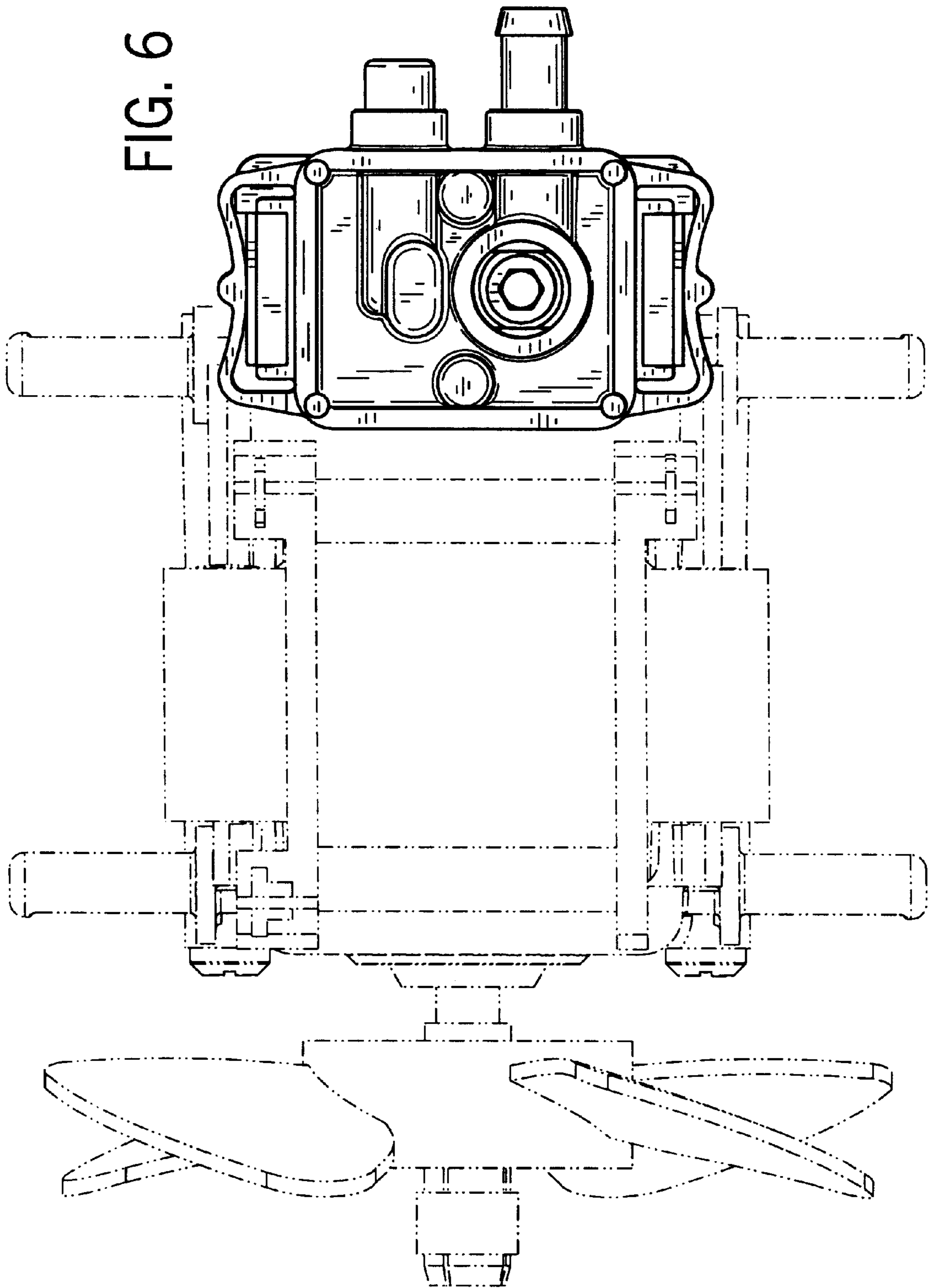


FIG. 7

