



US00D438871S

(12) **United States Design Patent**
Luo

(10) **Patent No.:** **US D438,871 S**

(45) **Date of Patent:** **** Mar. 13, 2001**

(54) **DIGITAL MUSIC CARTRIDGE**

(76) **Inventor:** **Chin-Kuang Luo**, 5F, No. 56,
Min-Chuan Rd., Chung Dist., Taichung
City (TW)

(**) **Term:** **14 Years**

(21) **Appl. No.:** **29/125,738**

(22) **Filed:** **Jun. 29, 2000**

(30) **Foreign Application Priority Data**

Jun. 15, 2000 (TW) 089304053

(51) **LOC (7) Cl.** **14-99**

(52) **U.S. Cl.** **D14/476**

(58) **Field of Search** D14/474, 475,
D14/476, 477, 483, 435; 242/335, 336,
348, 347.2, 347, 347.1, 346, 338, 338.2;
360/132, 133, 13, 27, 93, 96.2, 96.5

(56) **References Cited**

U.S. PATENT DOCUMENTS

- D. 302,603 * 8/1989 Whiton D14/476
- D. 316,257 * 4/1991 Yonchara D14/476
- D. 316,406 * 4/1991 Yonchara D14/476

- D. 331,235 * 11/1992 Doodson et al. D14/476
- D. 384,055 * 9/1997 Luo D14/476
- 4,608,617 * 8/1986 Oishi et al. 360/133
- 4,809,928 * 3/1989 Hoffrichter et al. 242/346
- 5,438,189 * 8/1995 Von Heck 242/347

* cited by examiner

Primary Examiner—Prabhakar Deshmukh

(74) *Attorney, Agent, or Firm*—Pillsbury Winthrop LLP

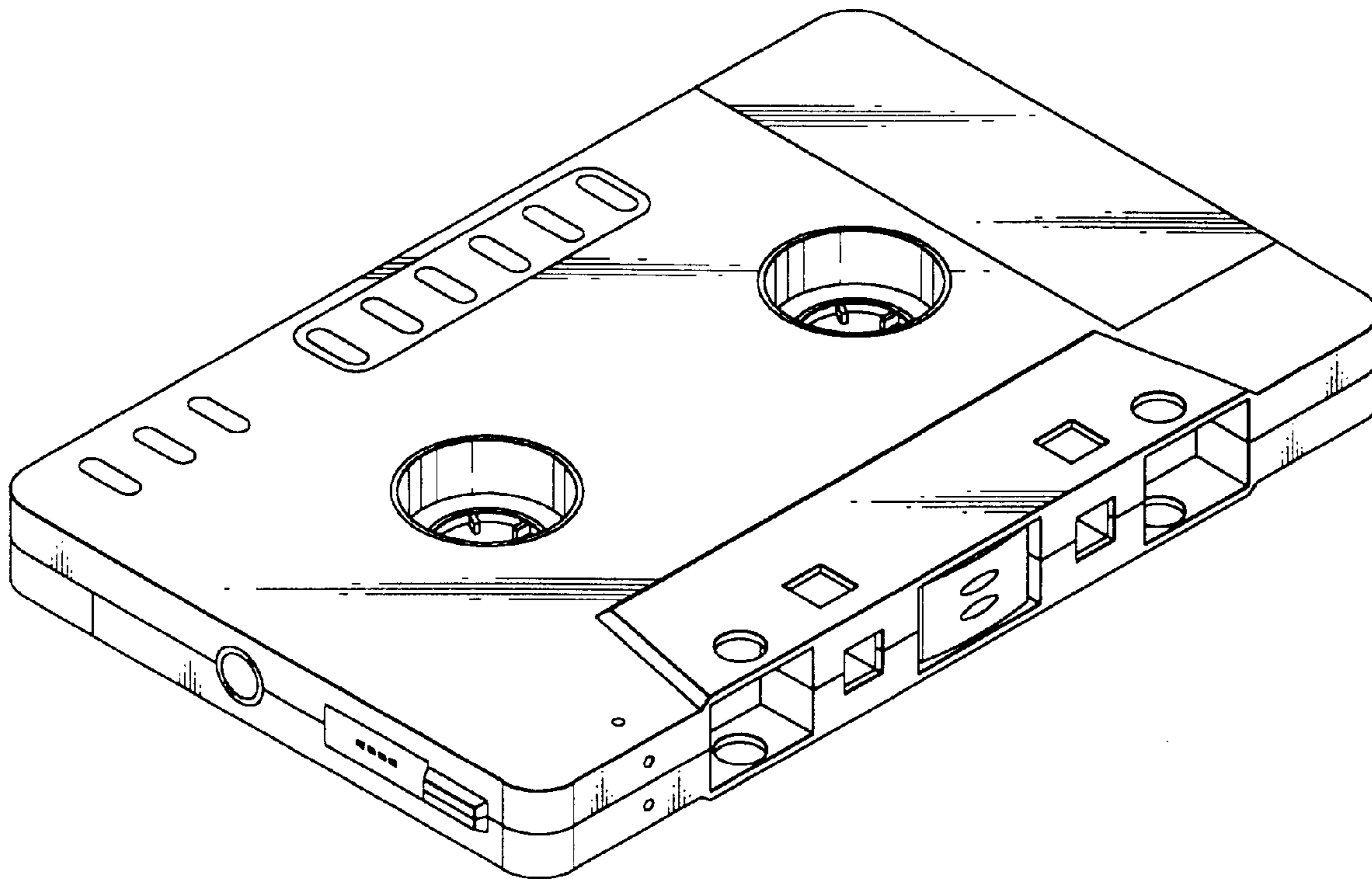
(57) **CLAIM**

The ornamental design for digital music cartridge, as shown and described.

DESCRIPTION

FIG. 1 is a perspective view of digital music cartridge showing my new design;
 FIG. 2 is a front elevational view thereof;
 FIG. 3 is a rear elevational view thereof;
 FIG. 4 is a left side elevational view thereof;
 FIG. 5 is a right side elevational view thereof;
 FIG. 6 is a top plan view thereof;
 FIG. 7 is a bottom plan view thereof; and,
 FIG. 8 is a perspective view in use.

1 Claim, 5 Drawing Sheets



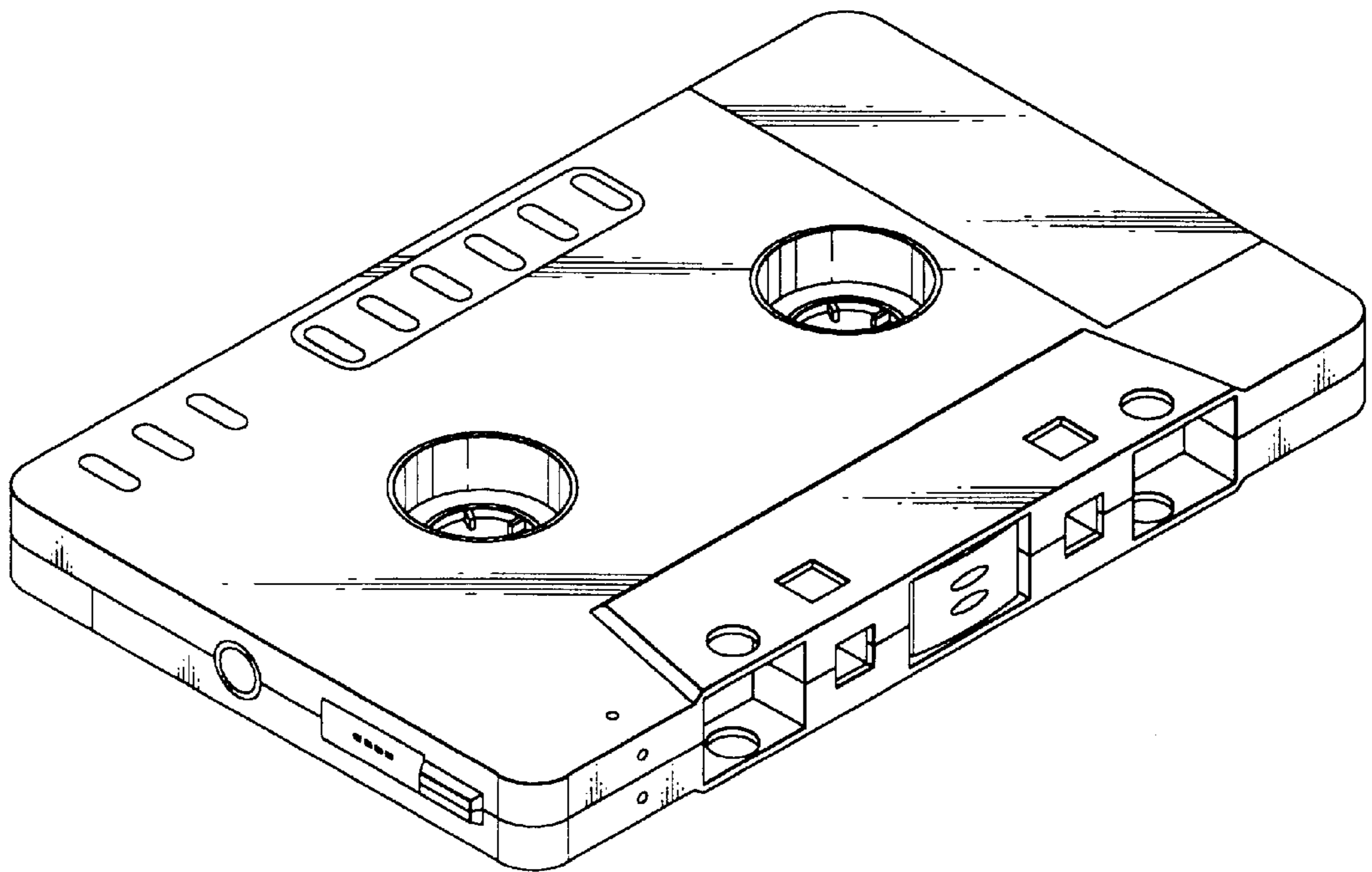


FIG. 1

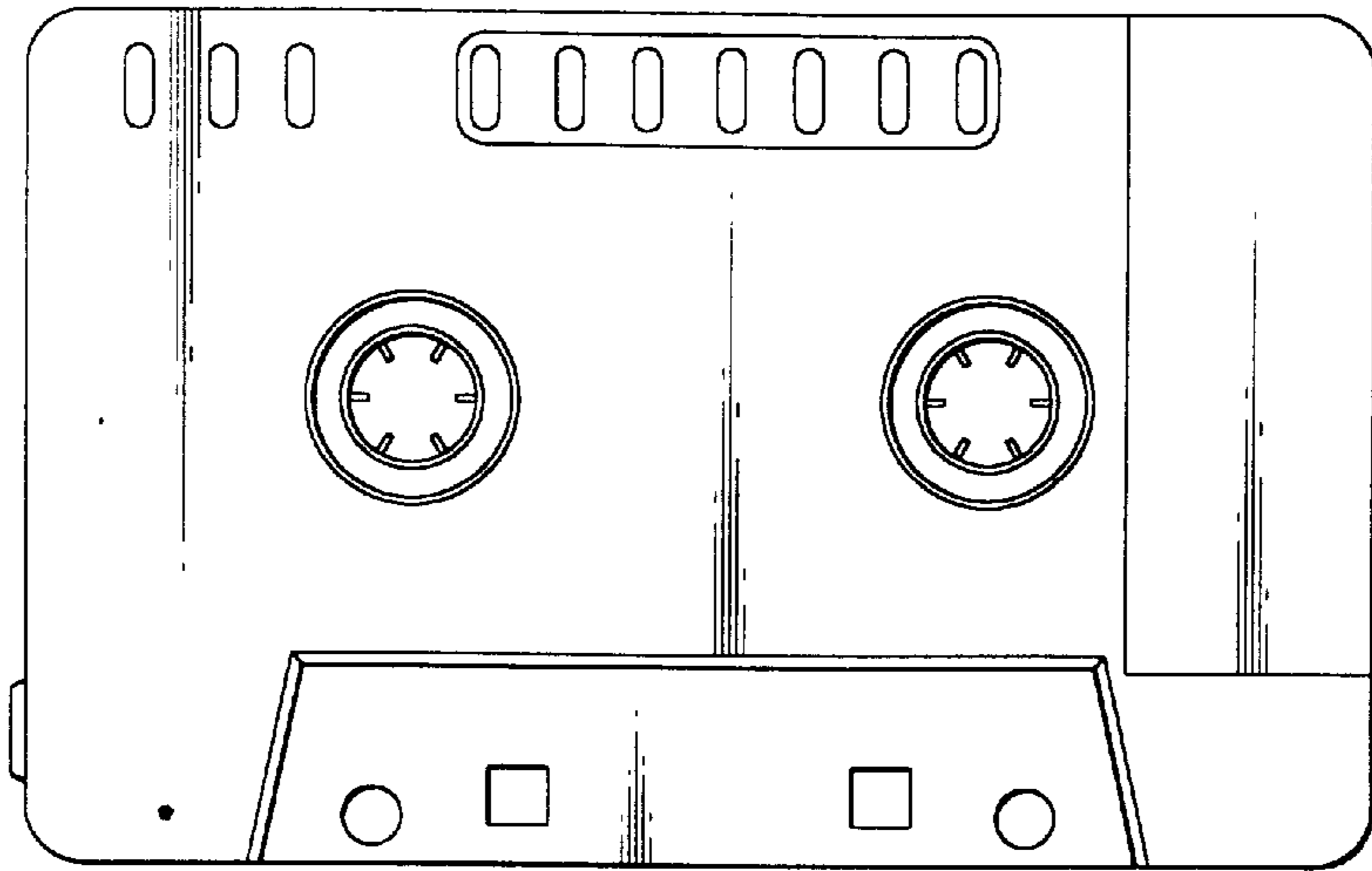


FIG. 2

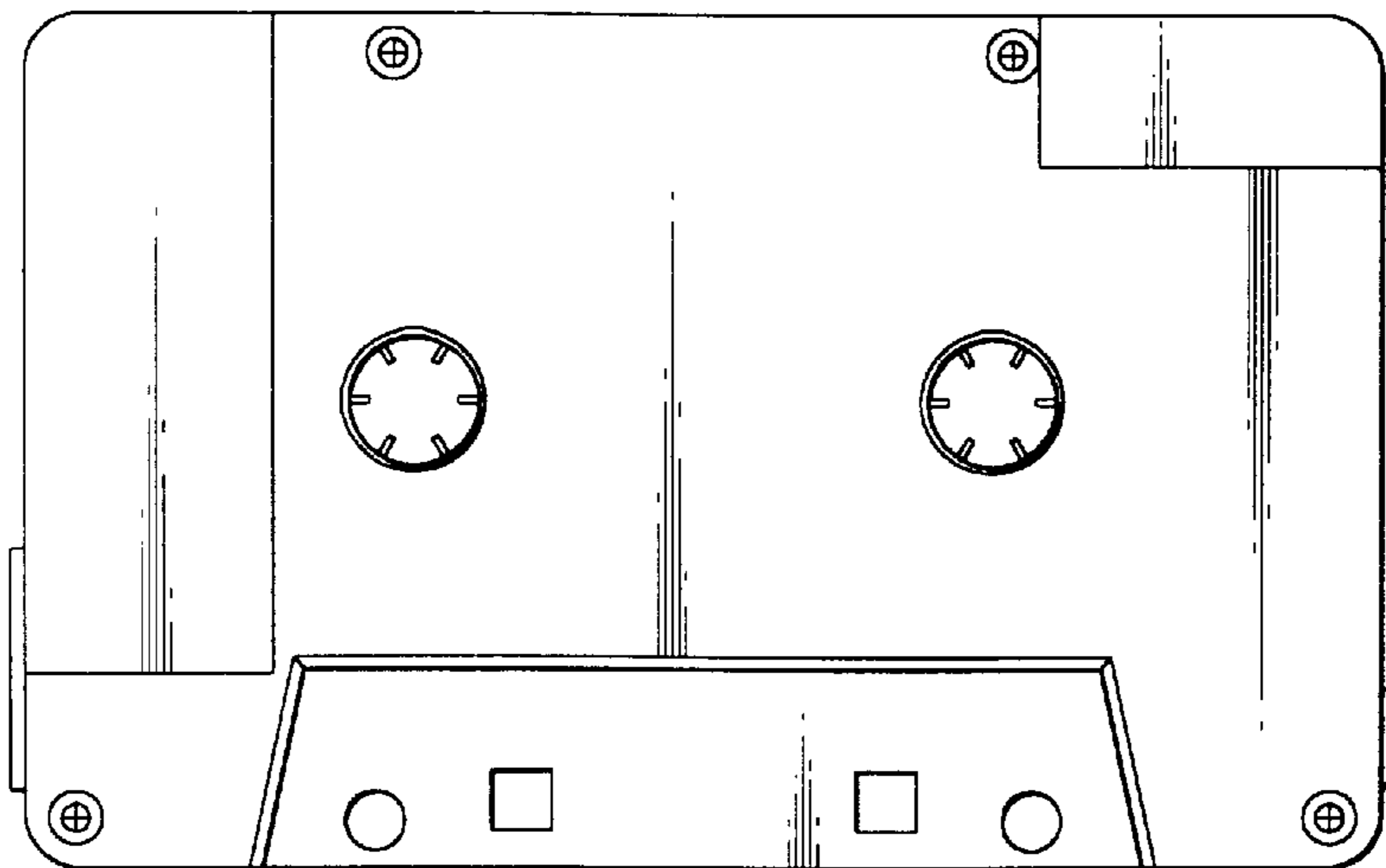


FIG. 3

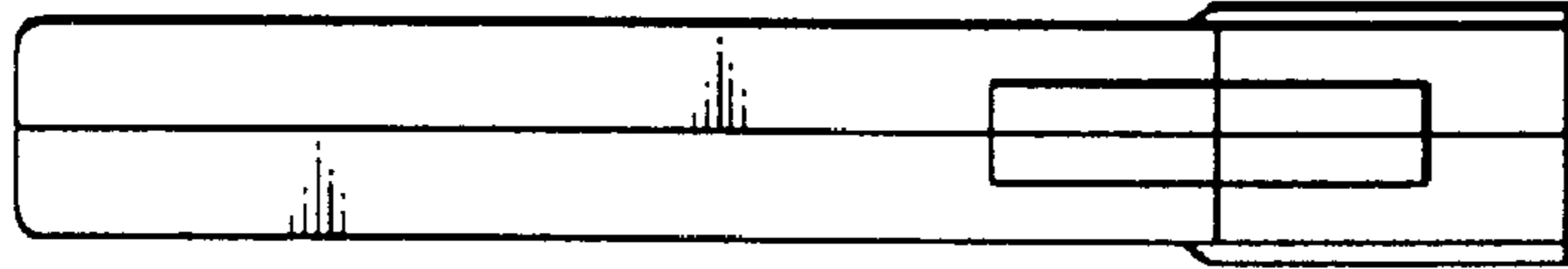


FIG. 5

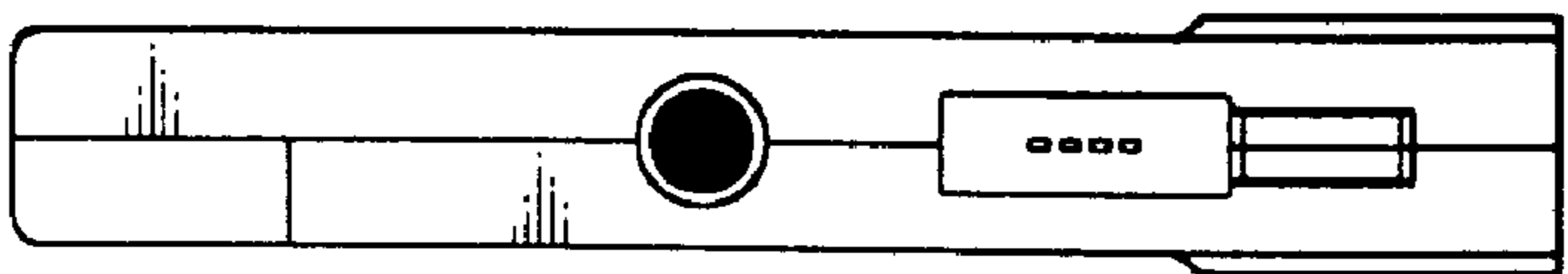


FIG. 4

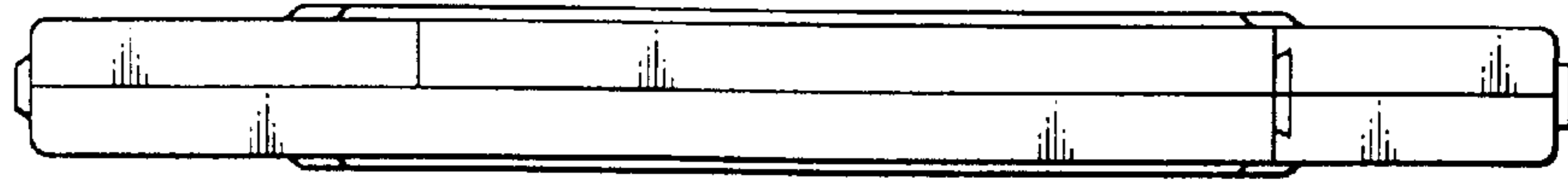


FIG. 6



FIG. 7

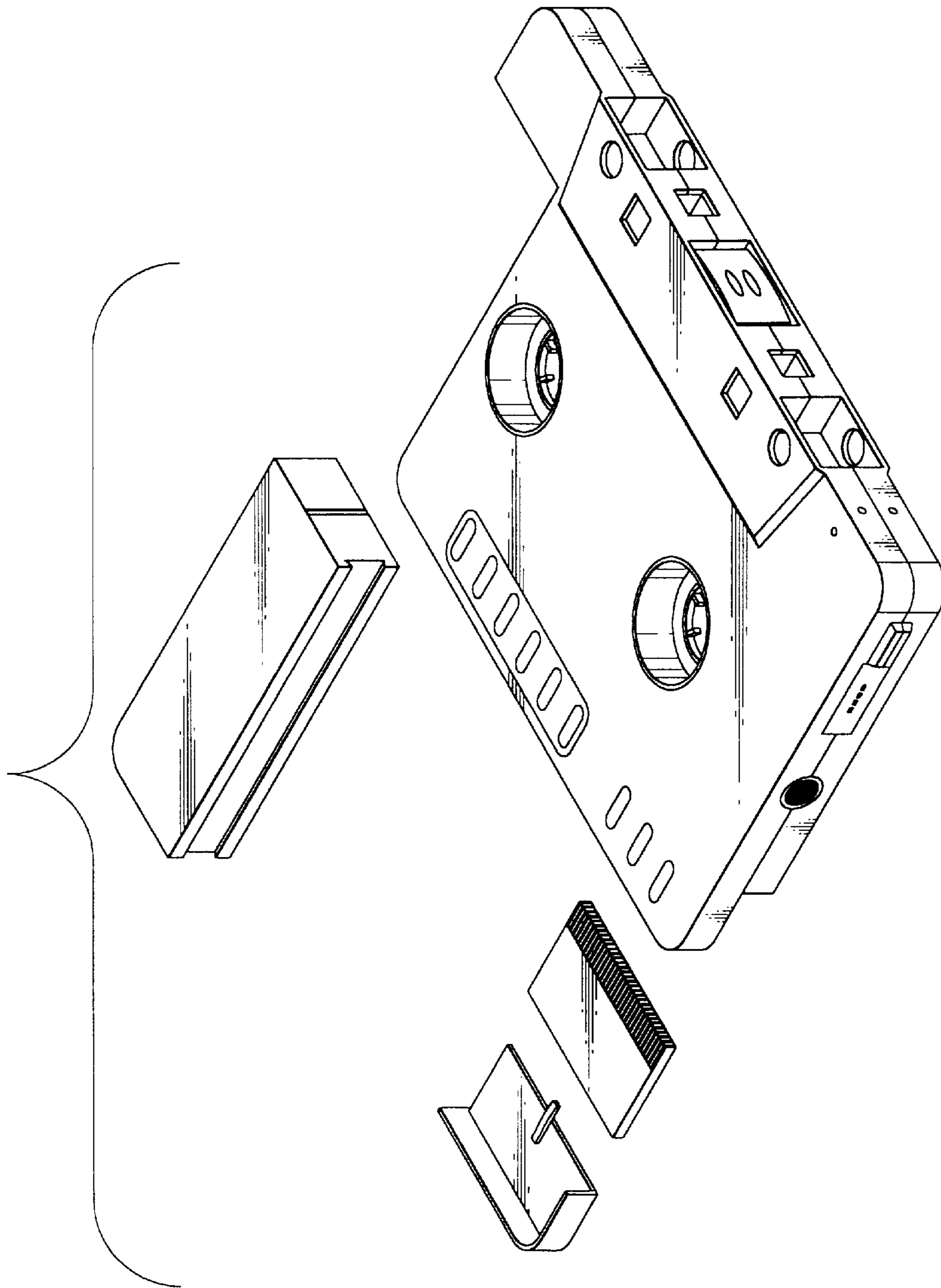


FIG. 8