



US00D438870S

(12) **United States Design Patent**
Saliba et al.

(10) **Patent No.:** **US D438,870 S**

(45) **Date of Patent:** **** Mar. 13, 2001**

(54) **TAPE CARTRIDGE**

(75) Inventors: **George A. Saliba**, Northboro; **Geoffrey G. Hogan**, Norfolk, both of MA (US); **Stephen J. Stamm**, Fort Lupton; **Victor C. Finley**, Westminster, both of CO (US); **Christopher J. Reinke**, Townsend, MA (US)

(73) Assignee: **Quantum Corporation**, Milpitas, CA (US)

(**) Term: **14 Years**

(21) Appl. No.: **29/117,622**

(22) Filed: **Jan. 26, 2000**

(51) **LOC (7) Cl.** **14-99**

(52) **U.S. Cl.** **D14/475**

(58) **Field of Search** D14/474-482,
D14/435; D21/332, 324; 242/348-348.4;
360/132-135, 900; 206/307, 308.1, 308.2,
308.3; 369/275.1-275.5, 280-292; 463/43,
44, 45

(56) **References Cited**

U.S. PATENT DOCUMENTS

D. 243,279 * 2/1977 Bookless et al. D14/481
D. 274,055 5/1984 Wester D14/121

D. 331,053 11/1992 Zucker et al. D14/121
D. 346,379 4/1994 Patel et al. D14/121
D. 363,066 10/1995 Griswold et al. D14/121
D. 380,466 * 7/1997 Iribe D14/477
D. 381,645 7/1997 Gwin et al. D14/121
D. 412,326 7/1999 Gianfagna et al. D14/121
4,754,387 * 6/1988 Nelson 360/132
4,888,848 * 12/1989 Kokoto et al. 242/346.2 X
5,209,424 * 5/1993 Fischer et al. 242/348
5,610,789 * 3/1997 Miller 360/132

* cited by examiner

Primary Examiner—Prabhakar Deshmukh

(74) *Attorney, Agent, or Firm*—Henry Groth

(57) **CLAIM**

The ornamental design for a tape cartridge, as shown and described.

DESCRIPTION

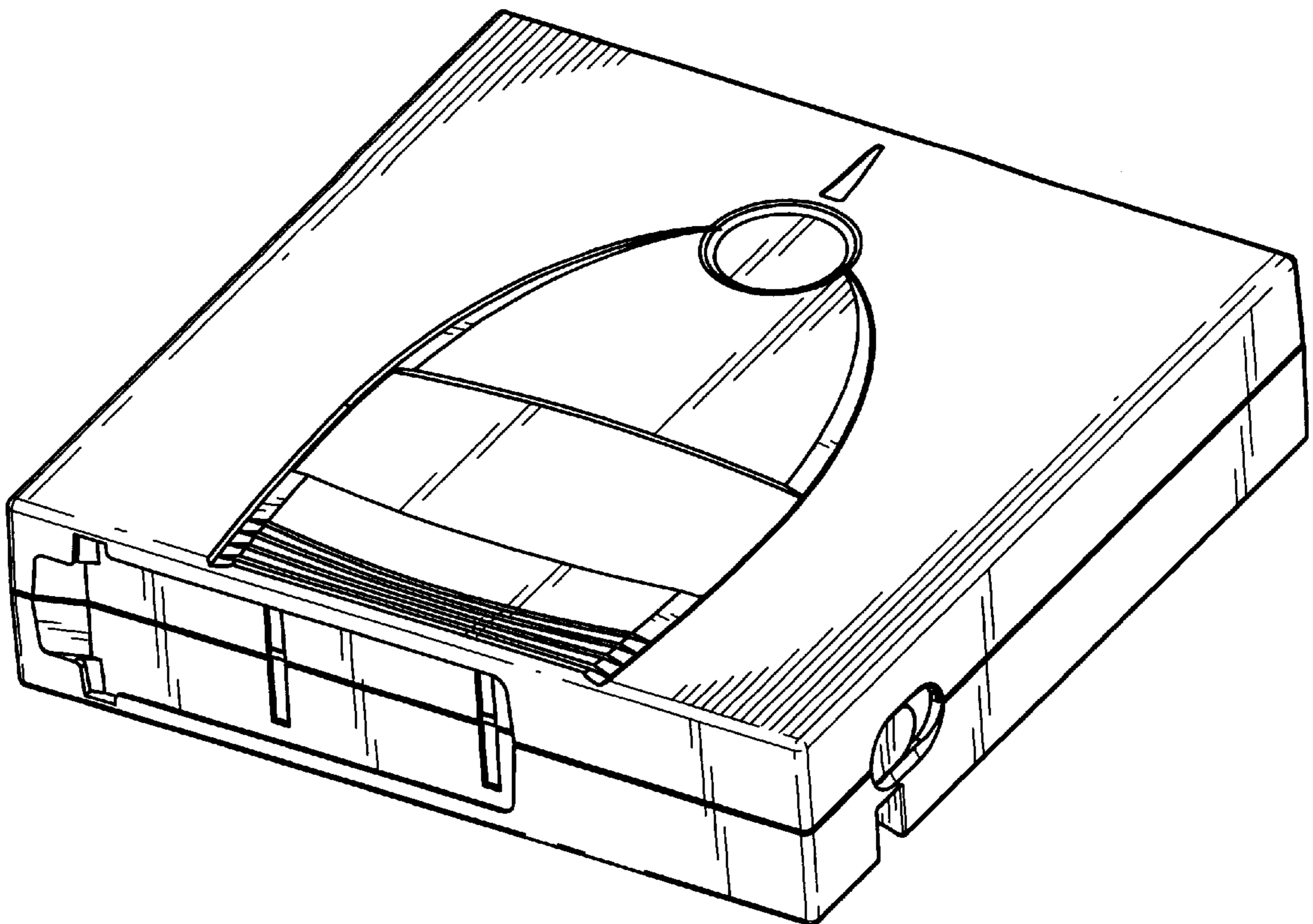
FIG. 1 is a perspective view of the top, front, and right side of a tape cartridge showing our new design.

FIG. 2 is a perspective view of the top, back, and left side of a tape cartridge showing our new design.

FIG. 3 is a perspective view of the bottom, front, and right side of a tape cartridge showing our new design; and,

FIG. 4 is a perspective view of the bottom, back and right side of a tape cartridge showing our new design.

1 Claim, 2 Drawing Sheets



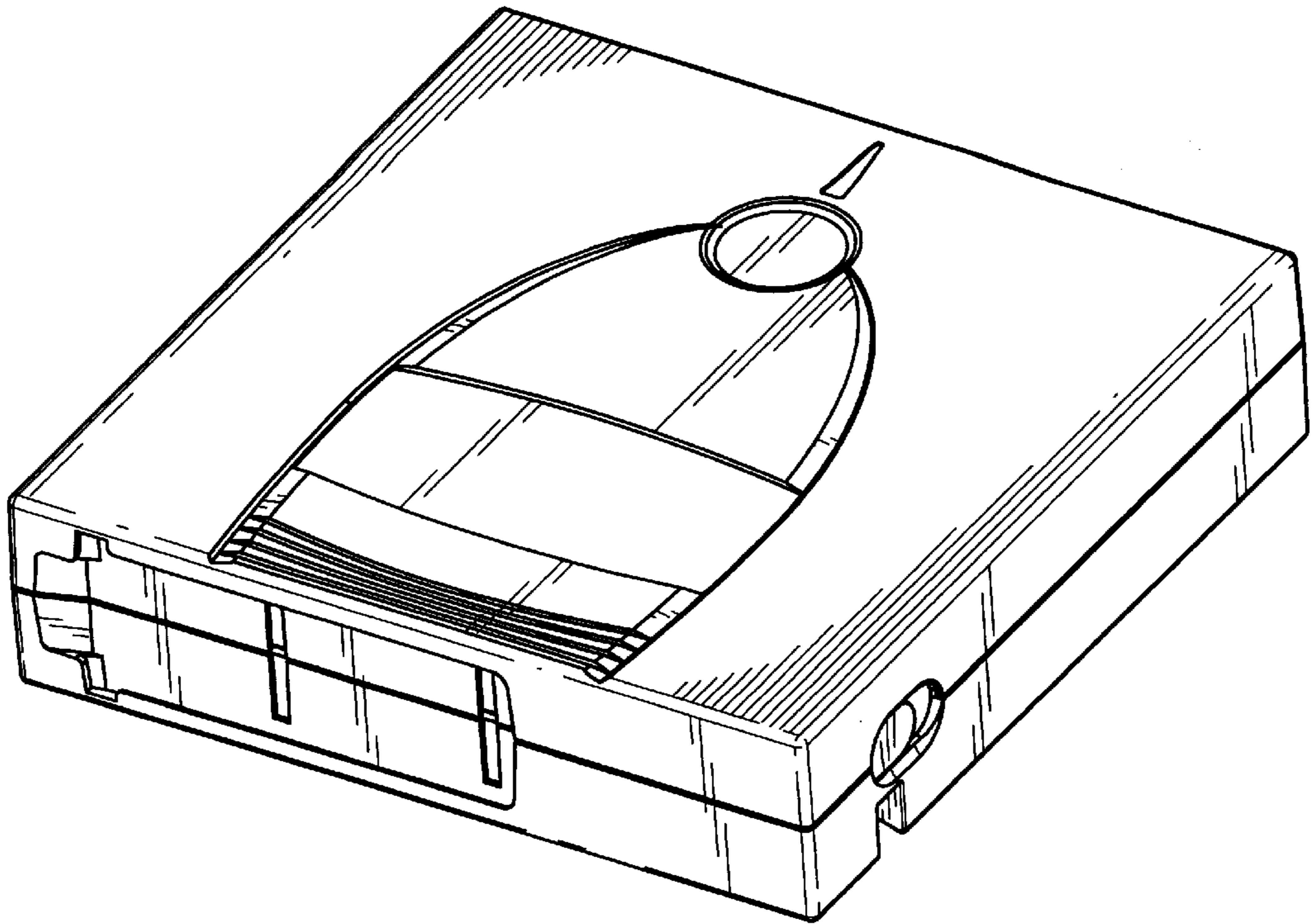


FIG. 1

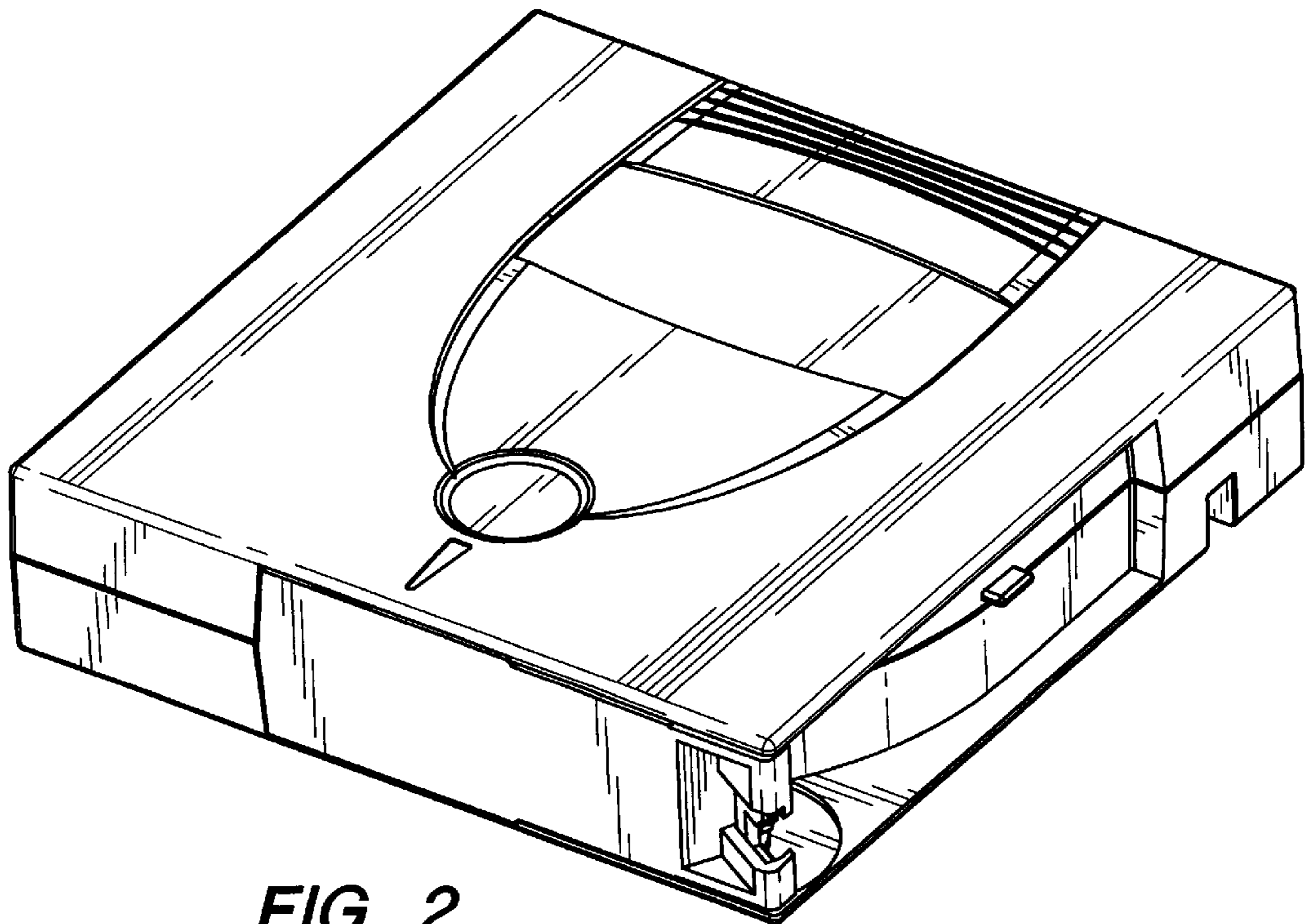


FIG. 2

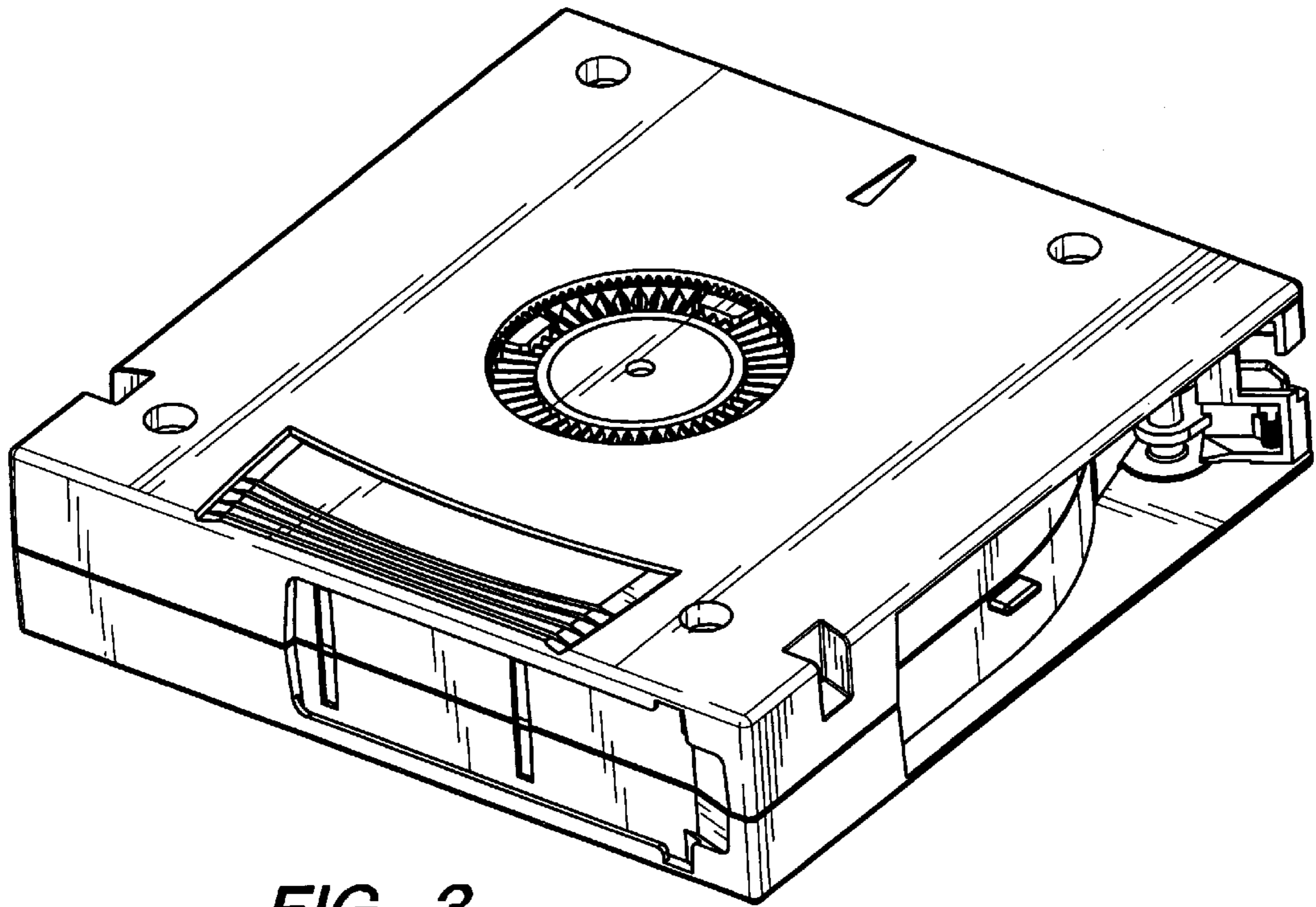


FIG. 3

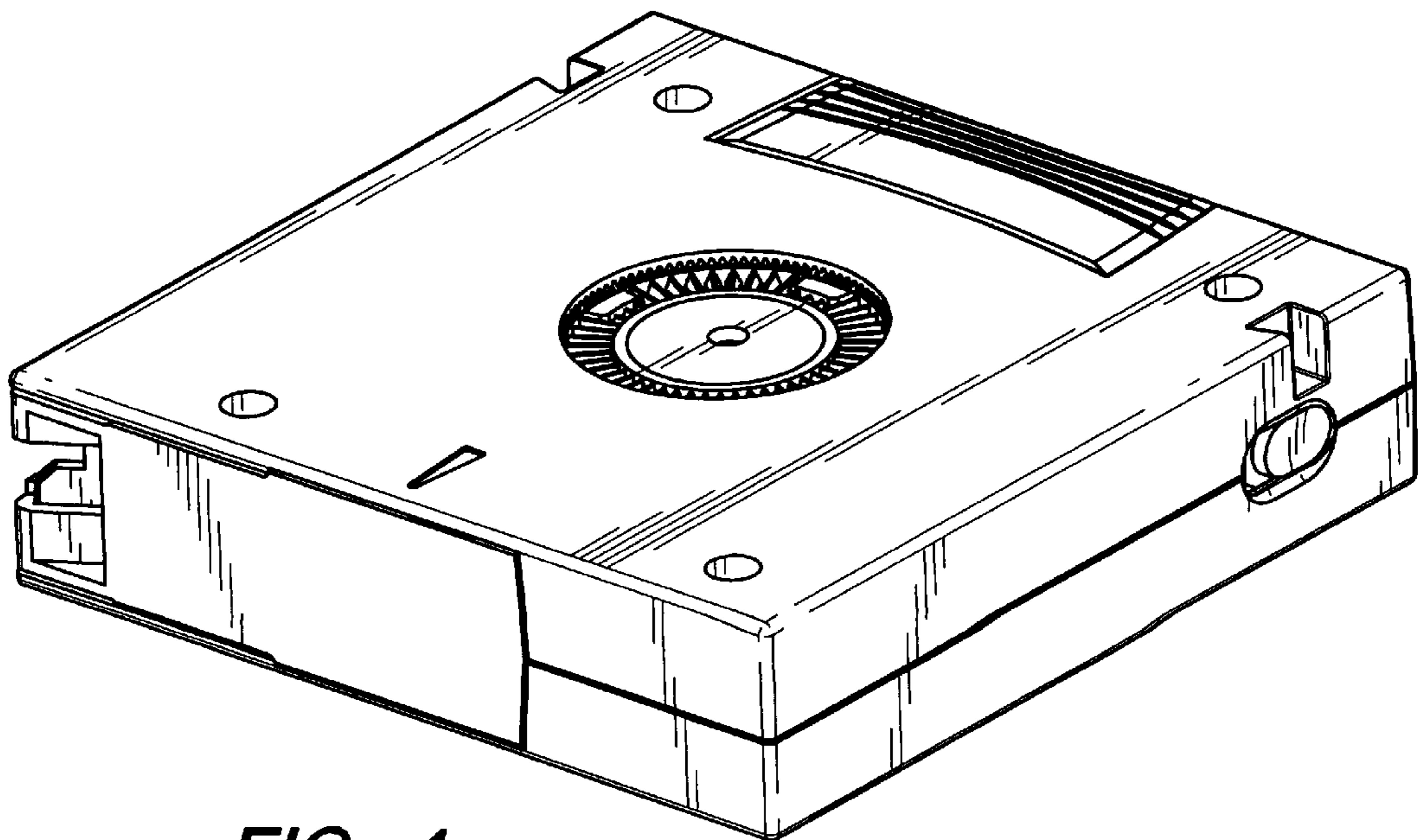


FIG. 4