



US00D438869S

(12) **United States Design Patent**  
**Nakamura**

(10) **Patent No.:** **US D438,869 S**

(45) **Date of Patent:** **\*\* Mar. 13, 2001**

(54) **FACSIMILE MACHINE**

(75) **Inventor:** **Masahiro Nakamura, Hiroshima-ken (JP)**

(73) **Assignee:** **Sharp Kabushiki Kaisha, Osaka (JP)**

(\*\*) **Term:** **14 Years**

(21) **Appl. No.:** **29/123,294**

(22) **Filed:** **May 12, 2000**

(30) **Foreign Application Priority Data**

Nov. 12, 1999 (JP) ..... 11-31280

(51) **LOC (7) Cl.** ..... **16-03**

(52) **U.S. Cl.** ..... **D14/468**

(58) **Field of Search** ..... D14/462-471;  
358/400, 401, 402, 296, 474, 475, 487

(56) **References Cited**

**U.S. PATENT DOCUMENTS**

- D. 323,159 \* 1/1992 Iwasaki et al. .... D14/468
- D. 332,094 12/1992 Sawada et al. .
- D. 339,333 9/1993 Sawada et al. .
- D. 355,178 2/1995 Sawada et al. .
- D. 355,179 2/1995 Sawada et al. .
- D. 357,677 4/1995 Sawada et al. .
- D. 361,994 9/1995 Sawada et al. .
- D. 363,713 10/1995 Kanari et al. .

- D. 376,793 12/1996 Satoh et al. .
- D. 383,742 9/1997 Sawada et al. .
- D. 385,266 \* 10/1997 Matsushima ..... D14/468
- D. 386,490 11/1997 Fujimoto .
- D. 407,083 3/1999 Yamamizu .
- D. 434,046 \* 11/2000 Nakamura ..... D14/468
- 4,872,061 \* 10/1989 Uchiyama ..... 358/400
- 5,172,243 \* 12/1992 Hayashi et al. .... 358/400
- 5,183,431 \* 2/1993 Todokoro ..... 358/400 X
- 6,040,919 \* 3/2000 Iwata et al. .... 358/400

\* cited by examiner

*Primary Examiner*—Prabhakar Deshmukh

(74) *Attorney, Agent, or Firm*—Nixon & Vanderhye P.C.

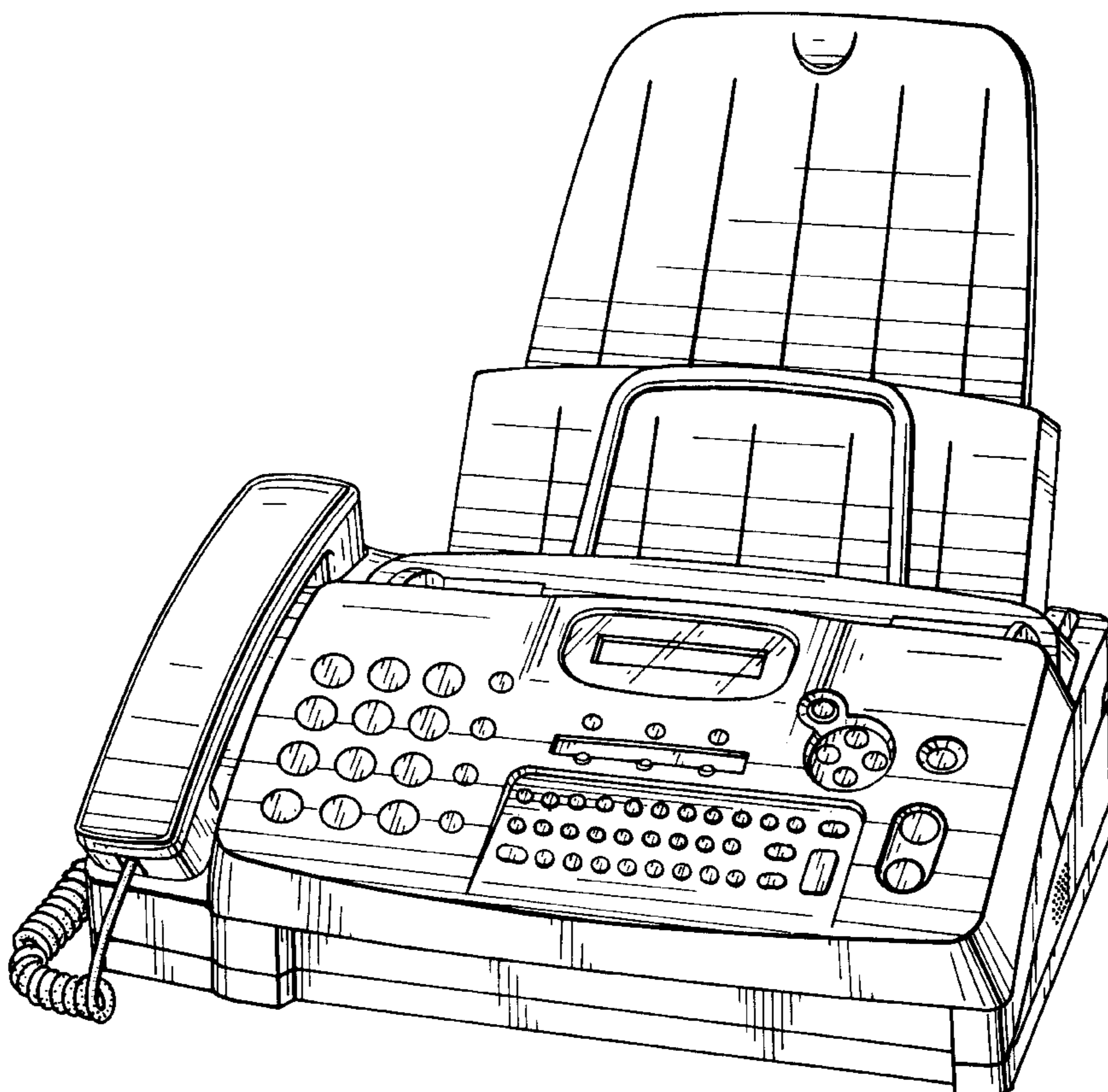
(57) **CLAIM**

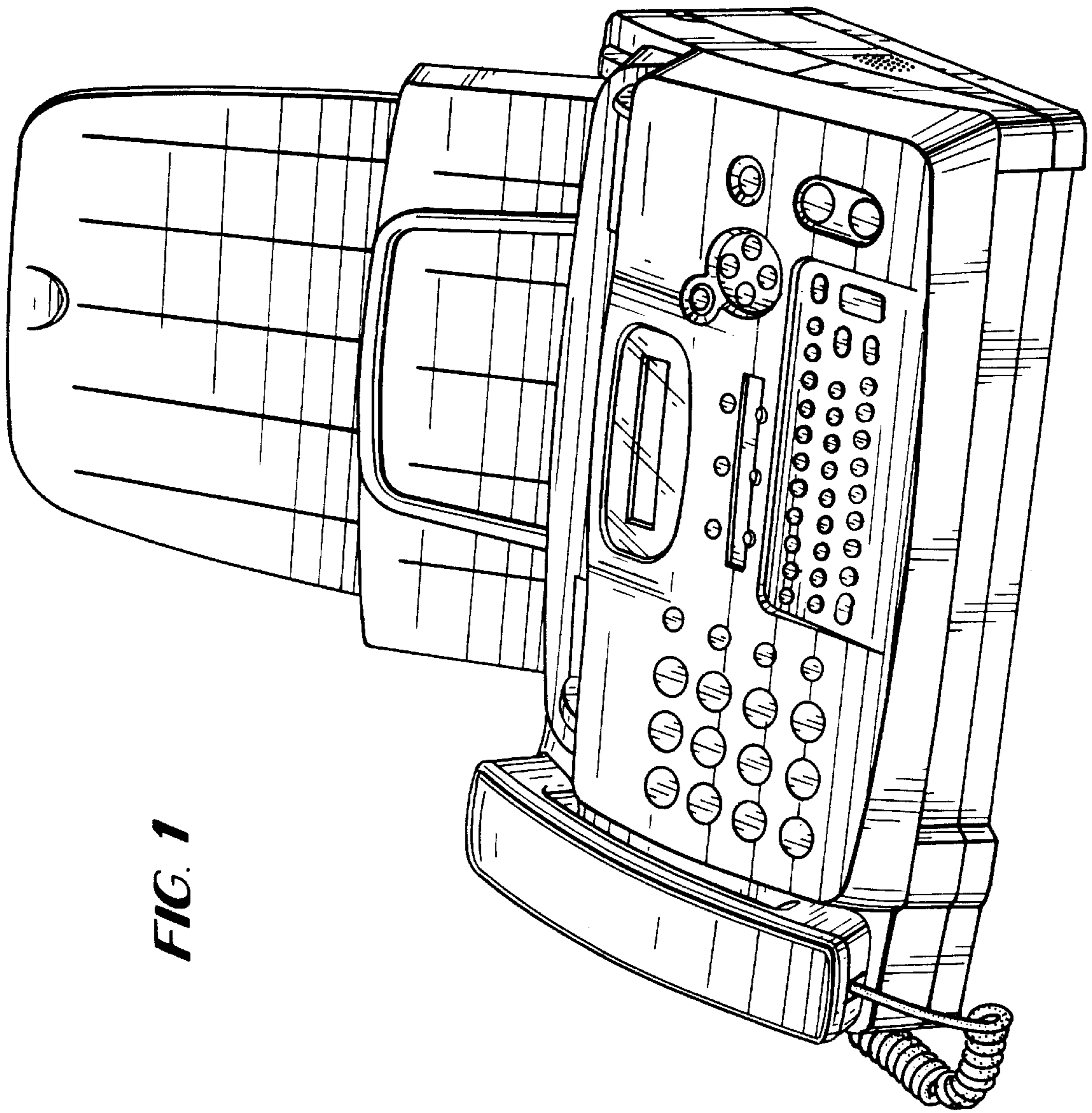
The ornamental design for a “facsimile machine”, as shown and described.

**DESCRIPTION**

FIG. 1 is a top, front and right side perspective view of a facsimile machine according to my design;  
 FIG. 2 is a top plan view thereof;  
 FIG. 3 is a front elevational view thereof;  
 FIG. 4 is a right side elevational view thereof;  
 FIG. 5 is a rear elevational view thereof;  
 FIG. 6 is a left side elevational view thereof; and,  
 FIG. 7 is a bottom plan view thereof.

**1 Claim, 7 Drawing Sheets**





**FIG. 1**

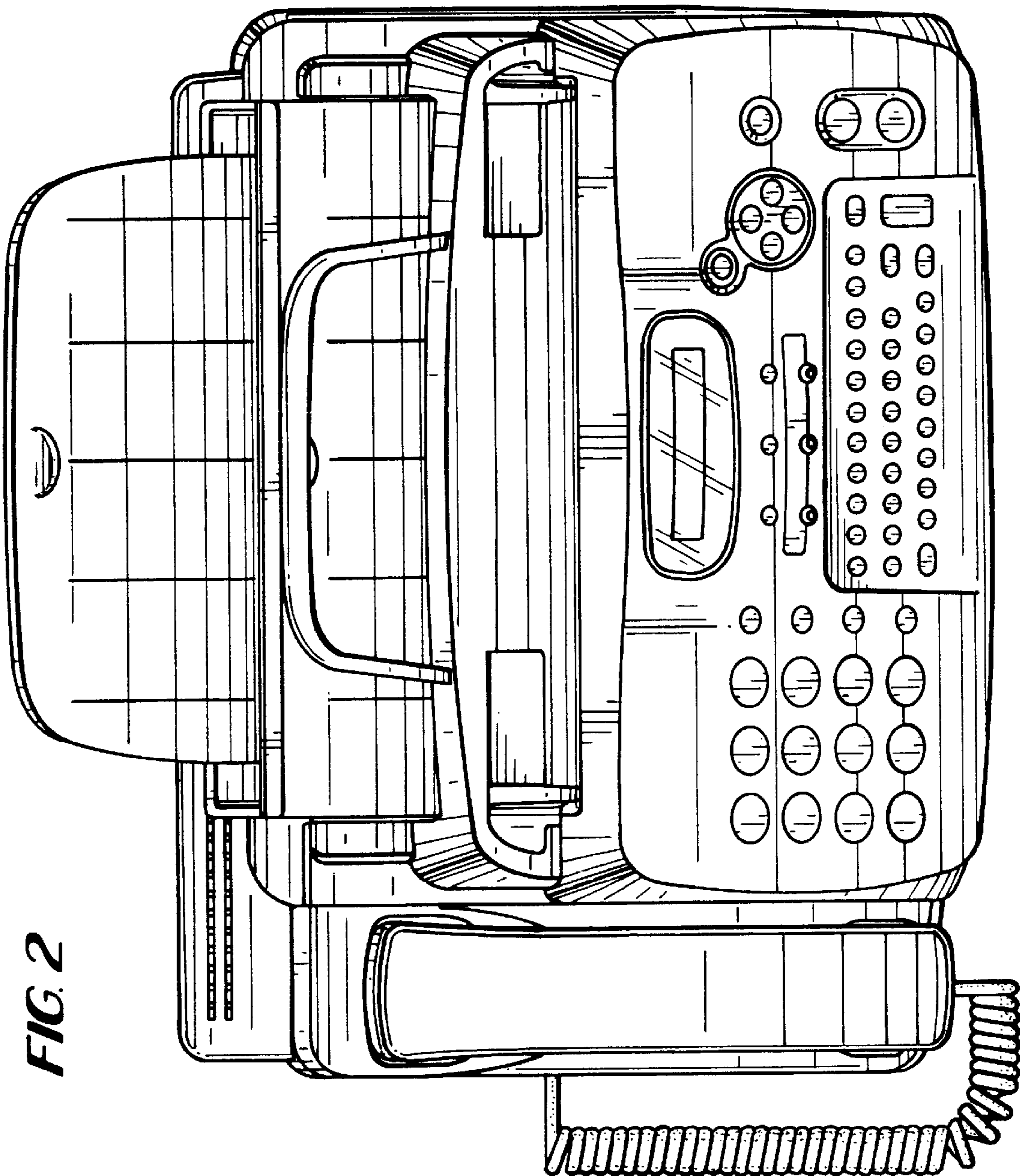
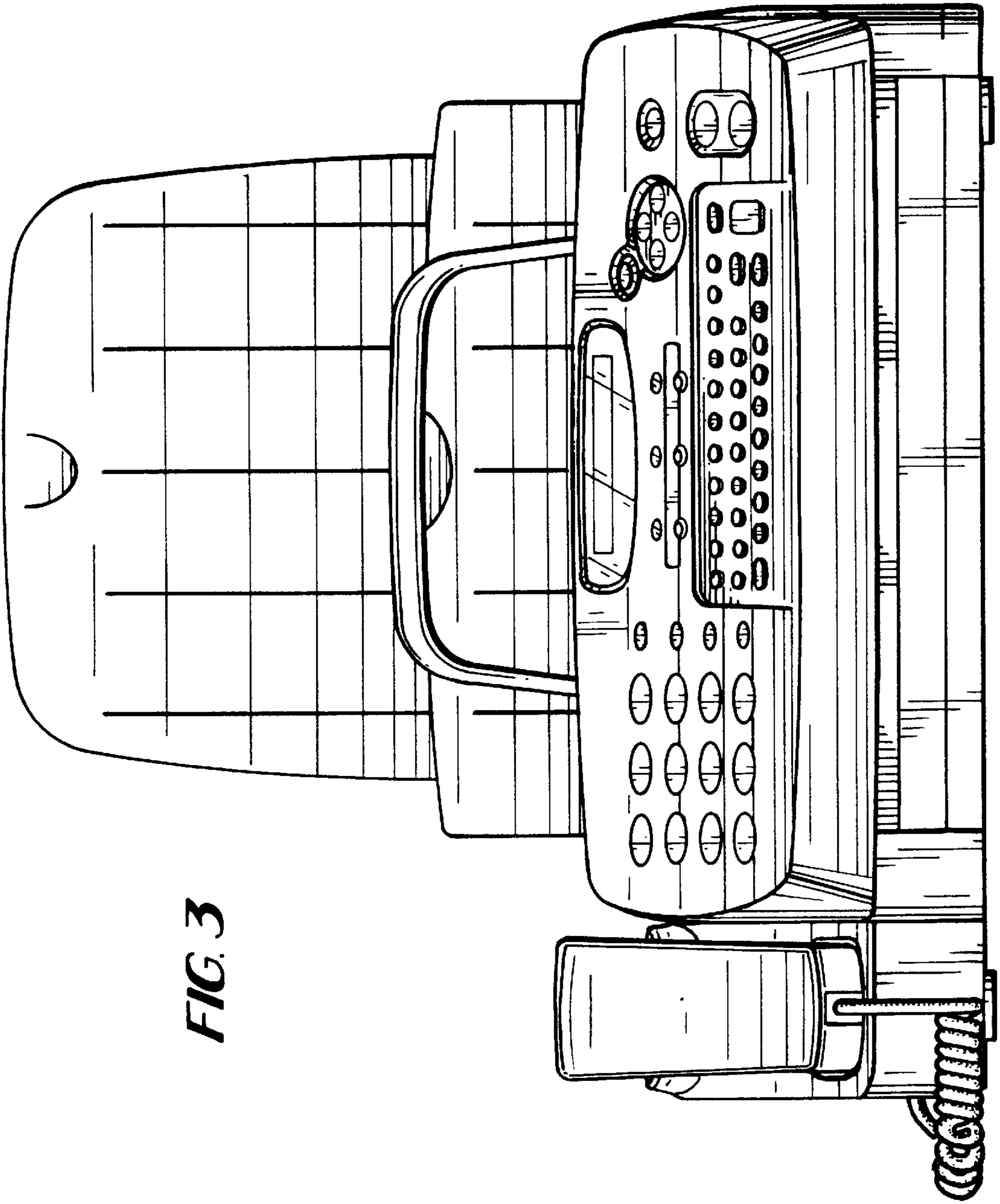
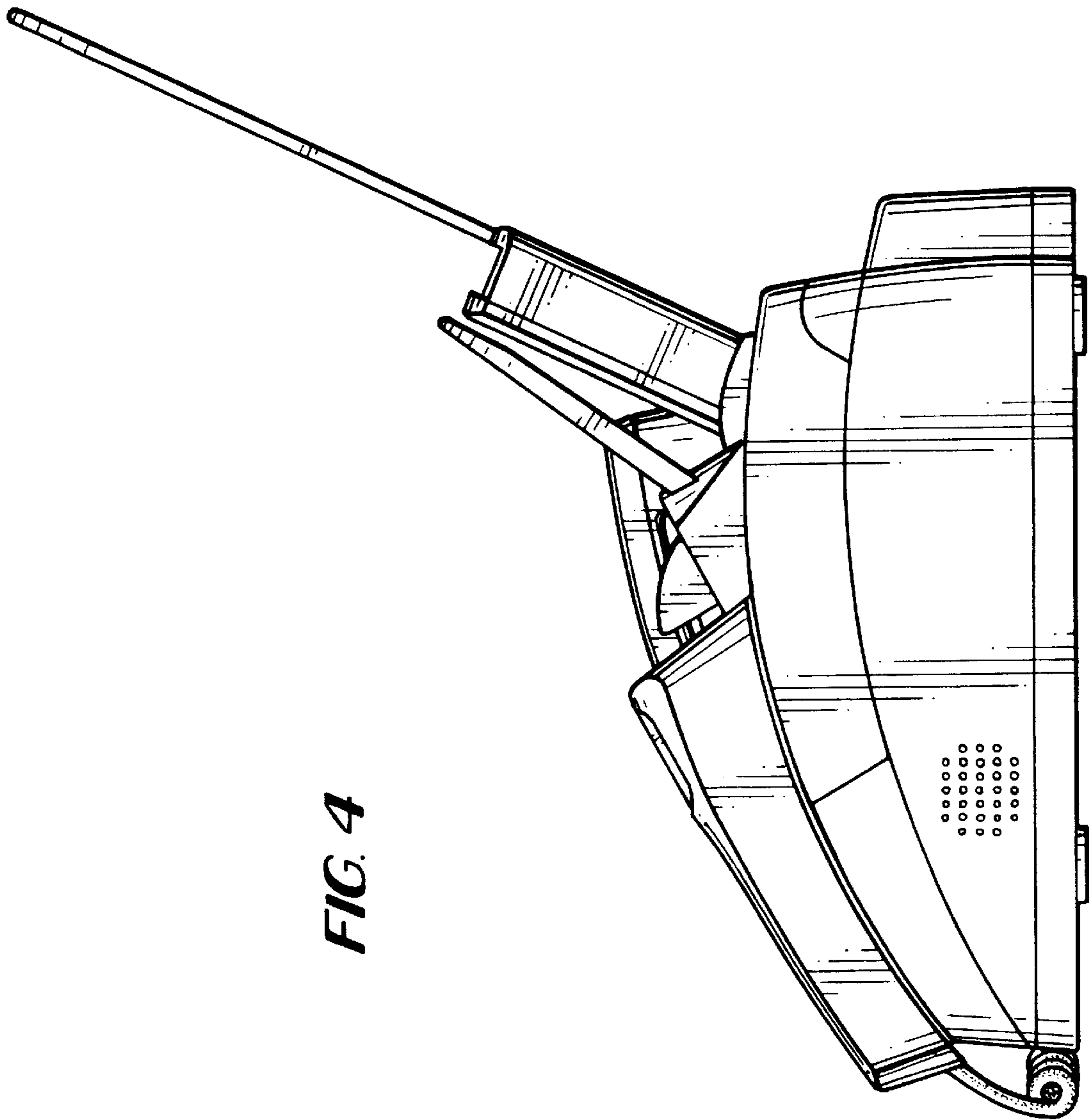


FIG. 2

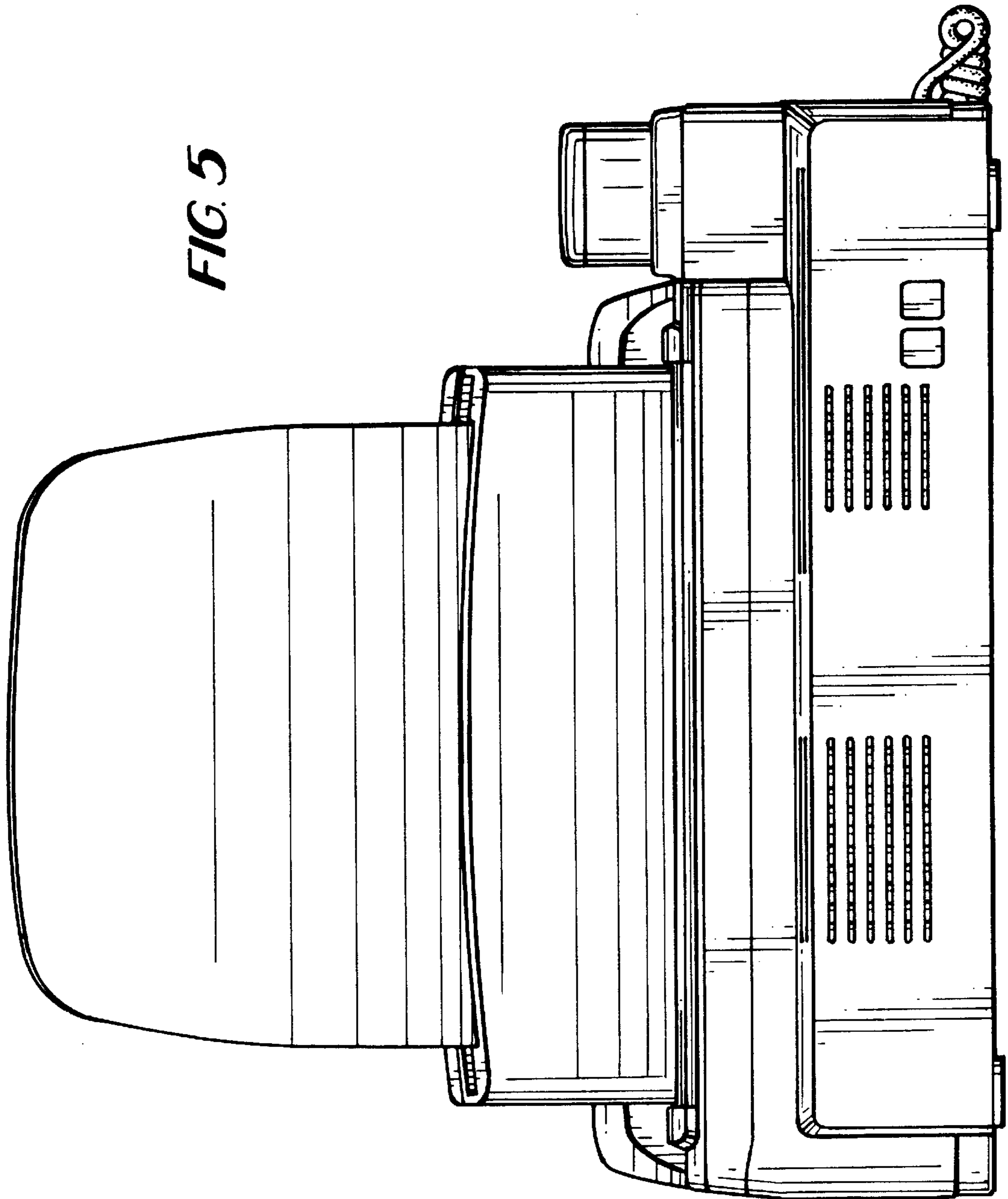


**FIG. 3**

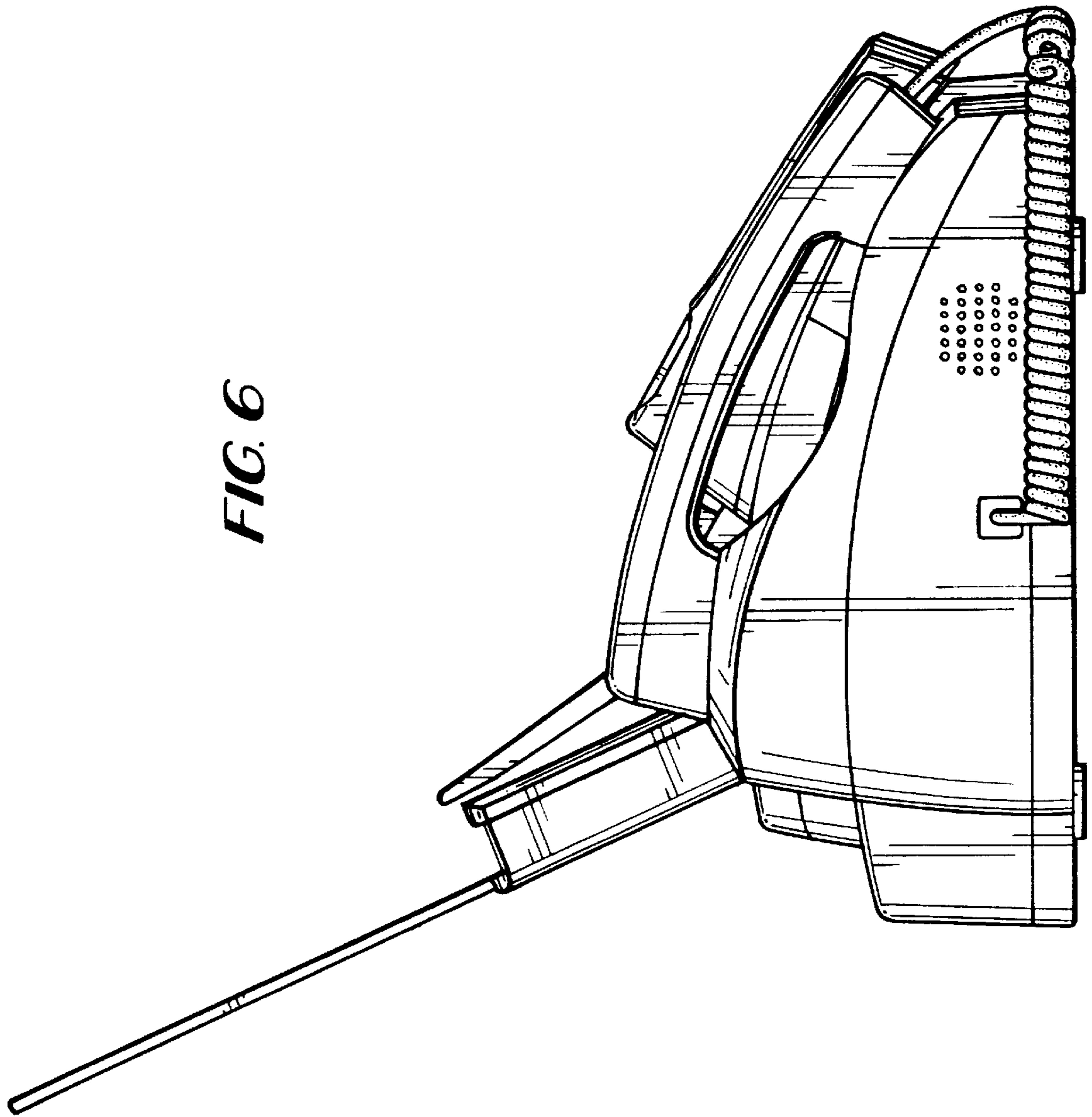


**FIG. 4**

*FIG. 5*



*FIG. 6*



*FIG. 7*

