



US00D438868S

(12) **United States Design Patent**
Oba

(10) **Patent No.:** **US D438,868 S**

(45) **Date of Patent:** **** Mar. 13, 2001**

(54) **KEYBOARD COVER**

(75) Inventor: **Haruo Oba**, Tokyo (JP)

(73) Assignee: **Sony Corporation**, Tokyo (JP)

(**) Term: **14 Years**

(21) Appl. No.: **29/108,905**

(22) Filed: **Aug. 6, 1999**

(30) **Foreign Application Priority Data**

Feb. 12, 1999 (JP) 11-3240

(51) **LOC (7) Cl.** **14-02**

(52) **U.S. Cl.** **D14/455**

(58) **Field of Search** D14/114, 439,
D14/440, 448, 449, 432, 454-7; 296/95.1,
97.1-97.8; D12/401, 403; 150/154, 158,
155-7, 159-68

(56) **References Cited**

U.S. PATENT DOCUMENTS

D. 322,245	*	12/1991	Lin	D14/100
D. 362,665	*	9/1995	Knighton et al.	D14/114
D. 364,154	*	11/1995	Knighton et al.	D14/114
D. 367,475	*	2/1996	Koch	D14/114
D. 406,577		3/1999	Fitzsimmons	D14/114
3,622,720	*	11/1971	Allen	.	
4,656,913	*	4/1987	Yoshikawa	.	
4,878,708	*	11/1989	Champane	.	
4,893,954	*	1/1990	Kotur	.	
4,922,980	*	5/1990	Parker	150/165
5,175,386	*	12/1992	Kuwahara	.	
5,193,925	*	3/1993	Foulke	.	
5,324,090	*	6/1994	Lehnhoff	.	
5,346,164	*	9/1994	Allen	248/118
5,551,497	*	9/1996	Stanley	150/154

FOREIGN PATENT DOCUMENTS

10-11050 * 1/1998 (JP) .

OTHER PUBLICATIONS

Catalog; "Toshiba Vision Connect"; Toshiba; May 1997; 1 sheet.

Catalog; "88"; Sony; Mar. 1998; pp. 197 & 198.

Catalog; "Toshiba Equium"; Toshiba; Apr. 1998; 3 sheets.

Catalog; "Hitachi Flora Prius Line Up", Hitachi; Feb. 1999; 3 sheets.

* cited by examiner

Primary Examiner—M. H. Tung

(74) *Attorney, Agent, or Firm*—Rader, Fishman & Grauer

(57) **CLAIM**

The ornamental design for a keyboard cover, as shown and described.

DESCRIPTION

FIG. 1 is a perspective view of a keyboard, wherein the cover portion is in a folded position, showing my new design;

FIG. 2 is a top plan view thereof;

FIG. 3 is a bottom plan view thereof;

FIG. 4 is a left side elevational view thereof;

FIG. 5 is a right side elevational view thereof; and

FIG. 6 is a front elevational view thereof. A rear elevational view thereof forms no part of claimed design.

FIG. 7 is a perspective view thereof, the keyboard cover is shown in a closed position;

FIG. 8 is a perspective view thereof, the keyboard cover is shown in an alternate position; and,

FIG. 9 is a perspective view thereof, the keyboard cover is shown in another alternate position.

The broken line drawing of the keyboard in all views is for illustrative purposes only and forms no part of the claimed design.

1 Claim, 7 Drawing Sheets

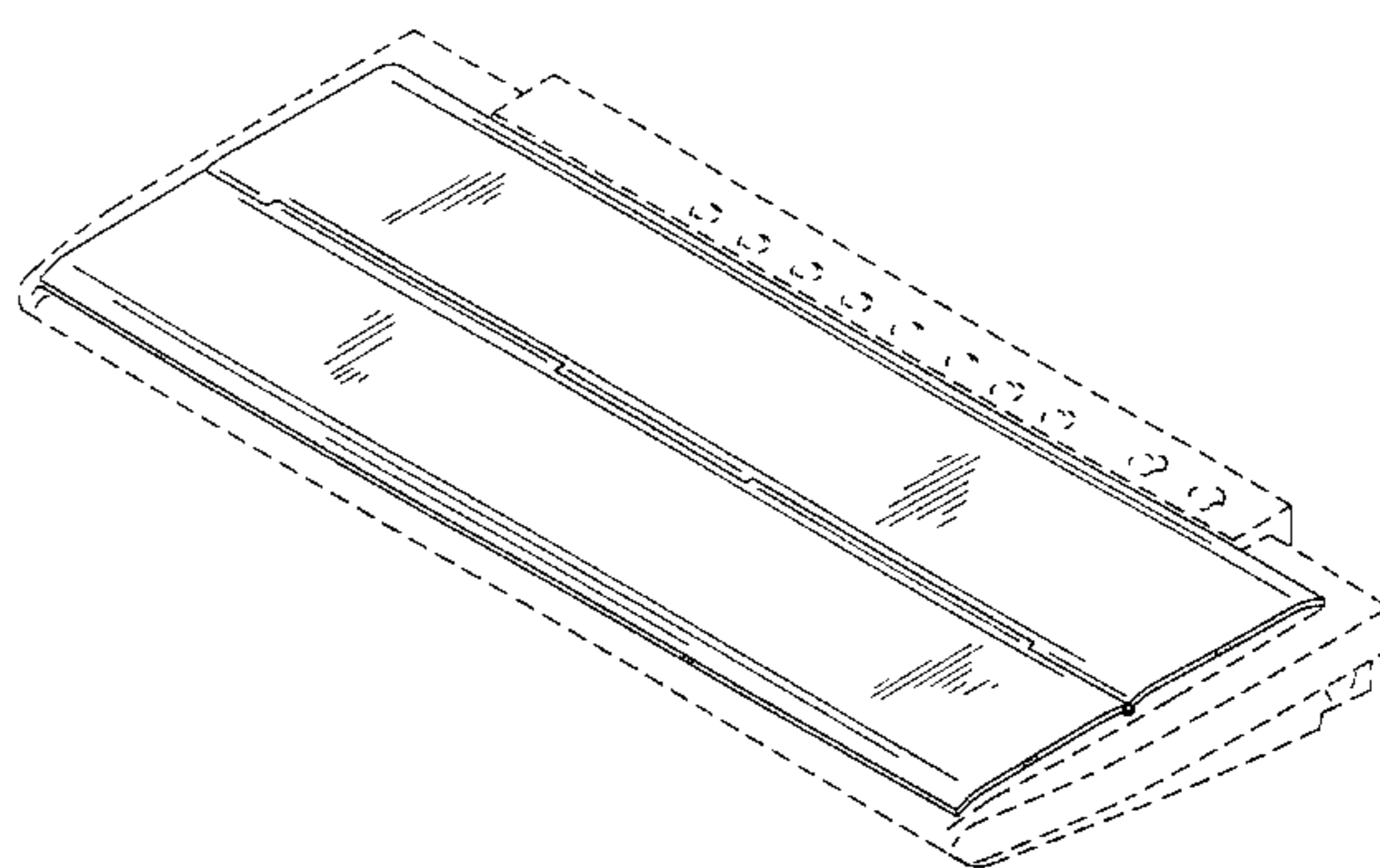
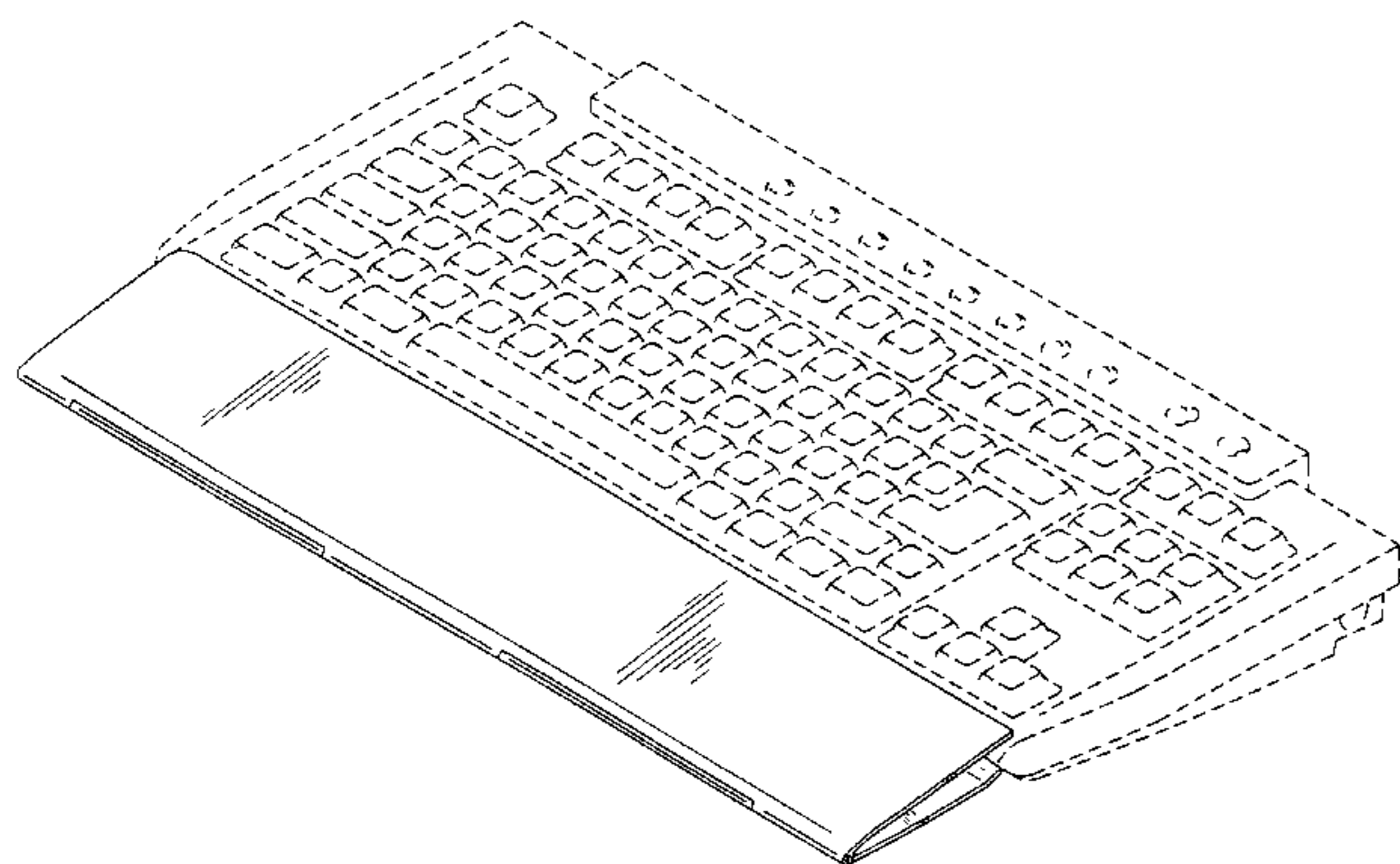


FIG. 1

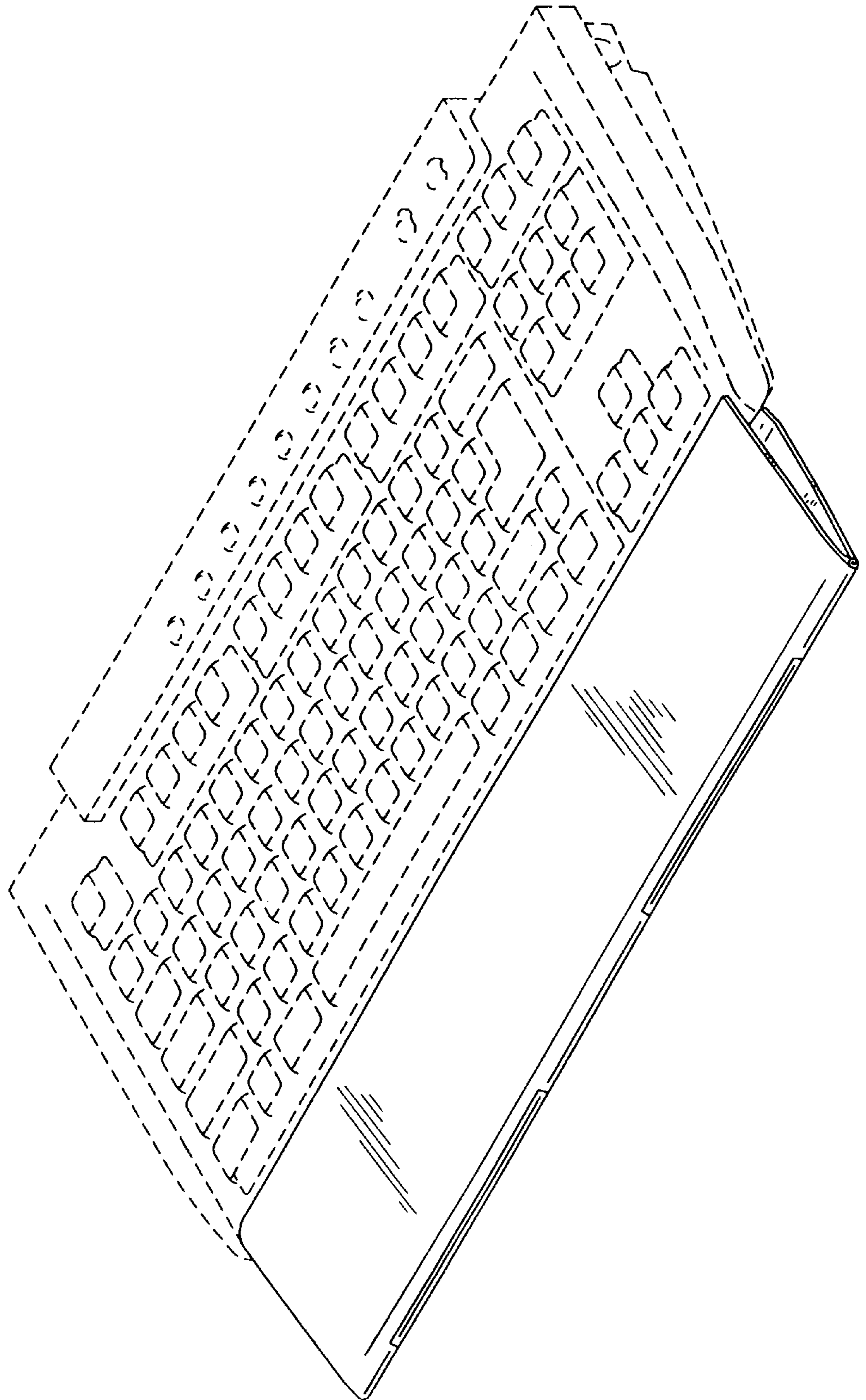


FIG. 2

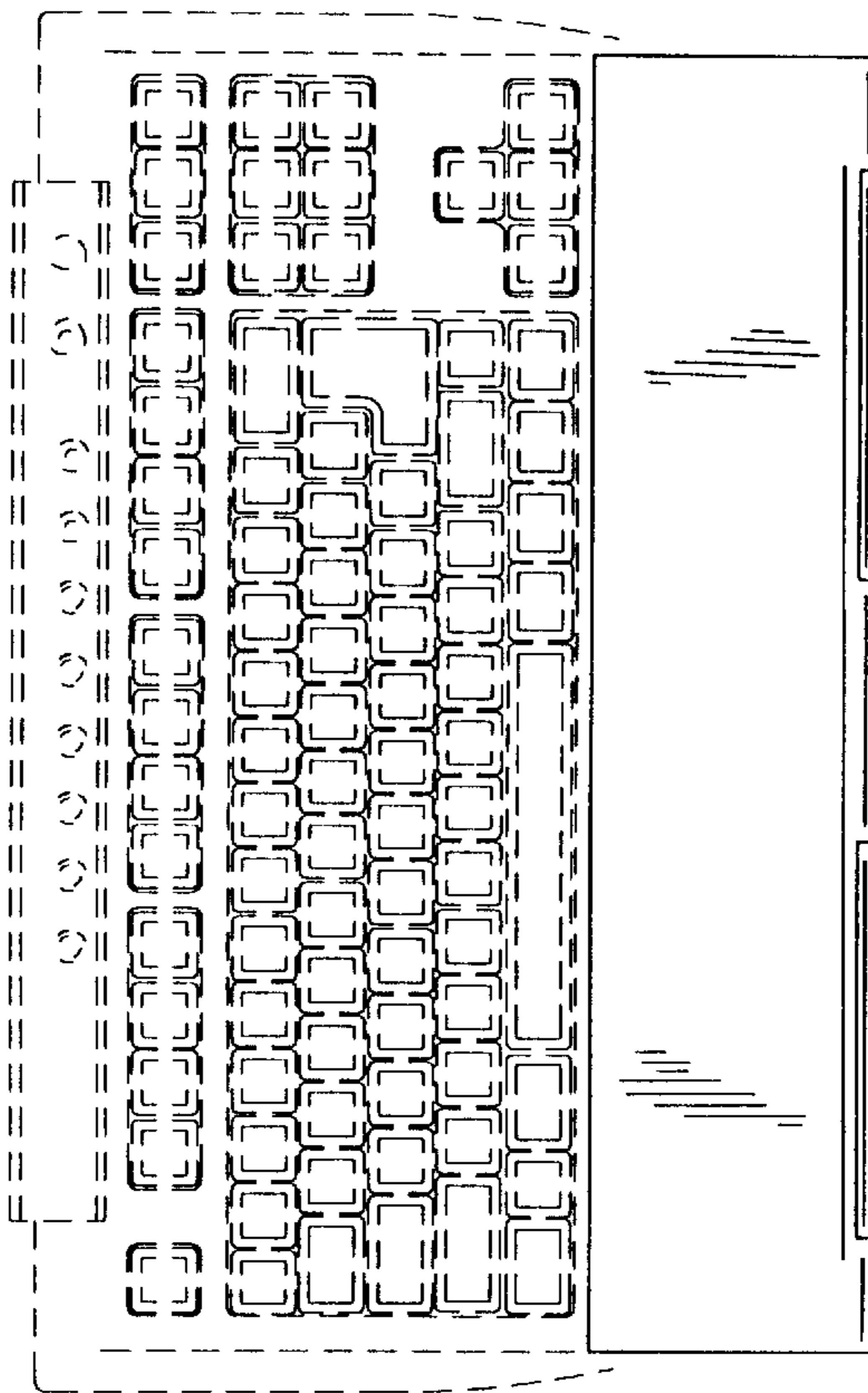


FIG. 3

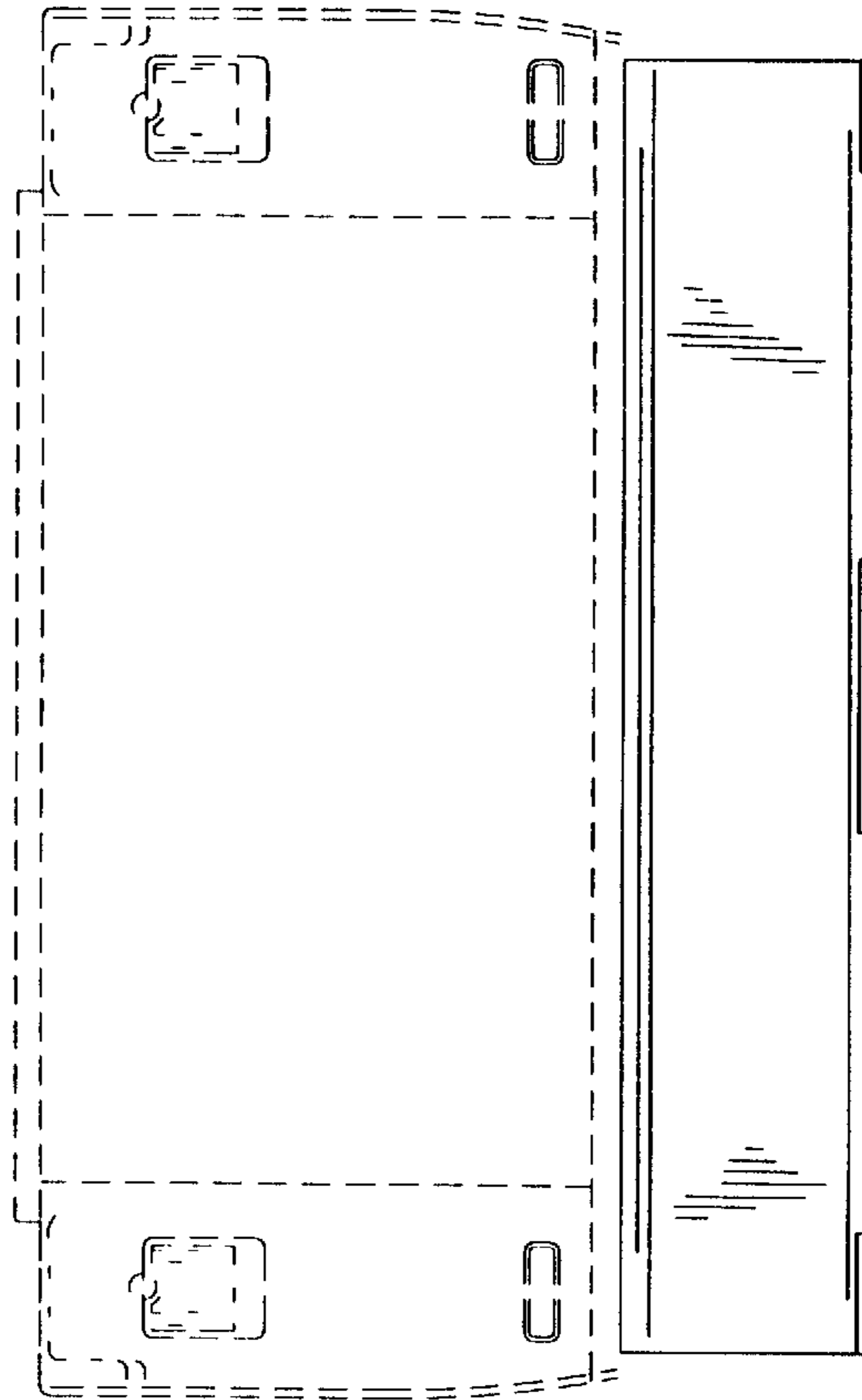


FIG. 5

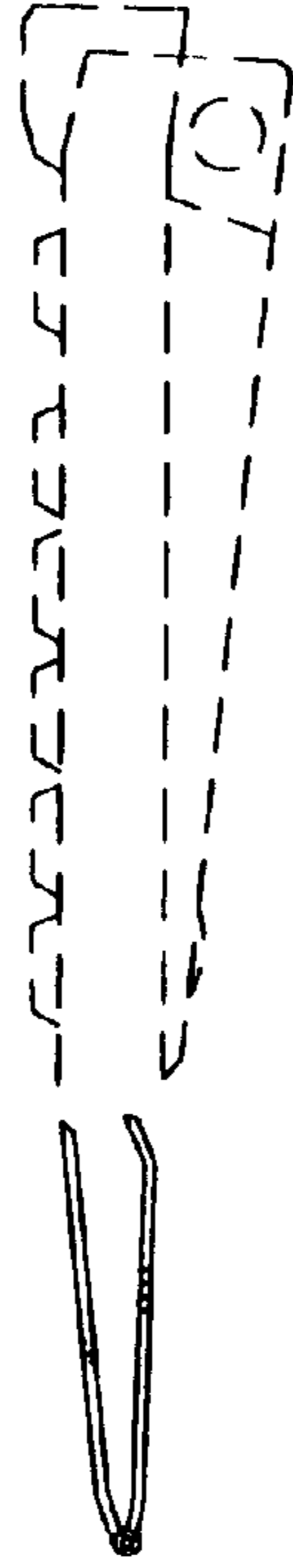


FIG. 4



FIG. 6

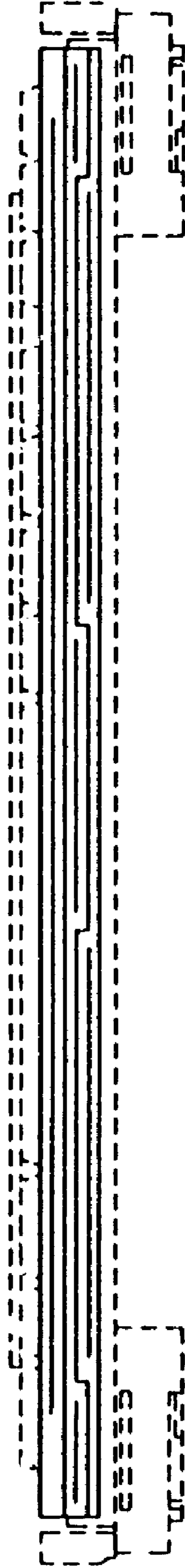


FIG. 7

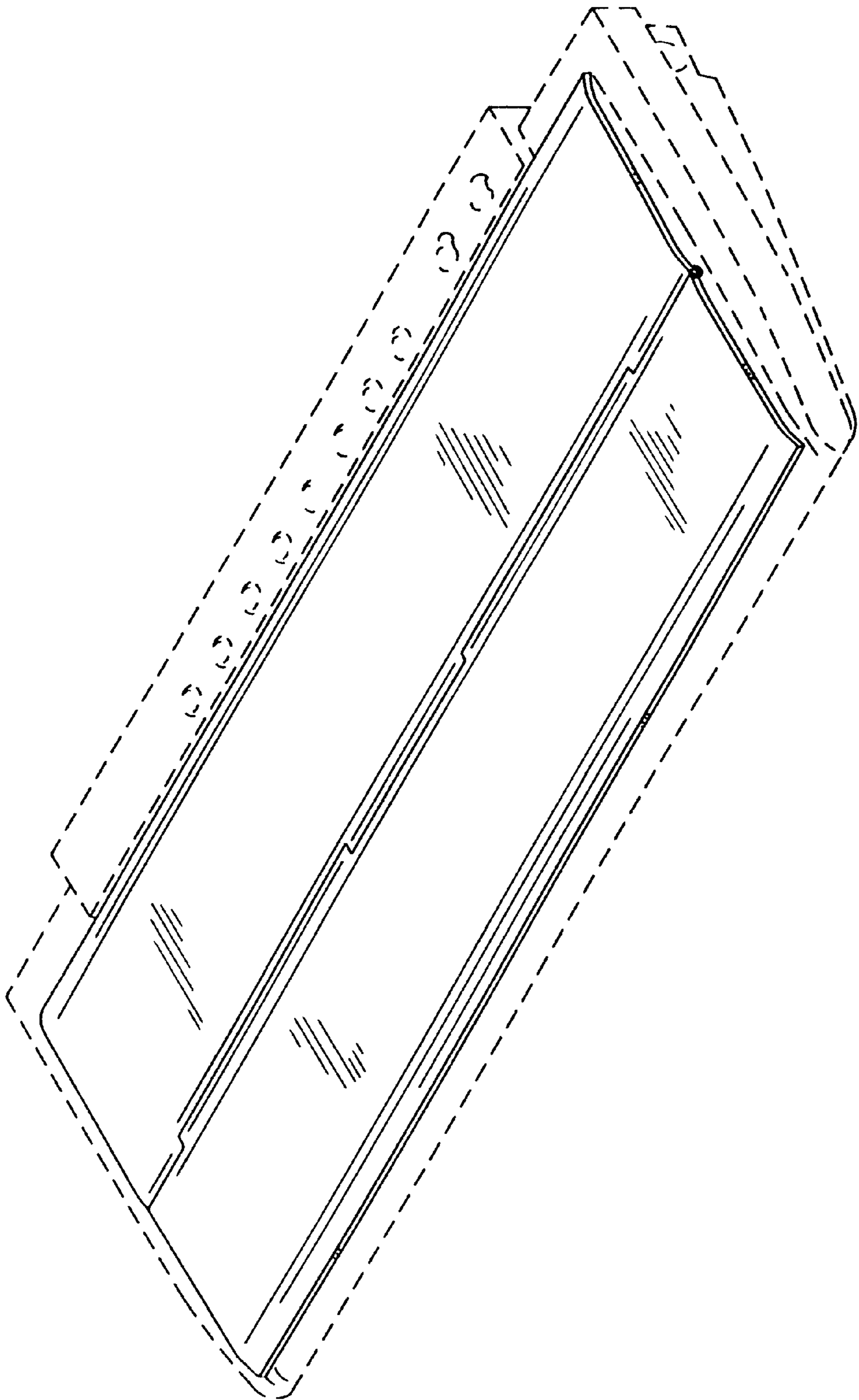


FIG. 8

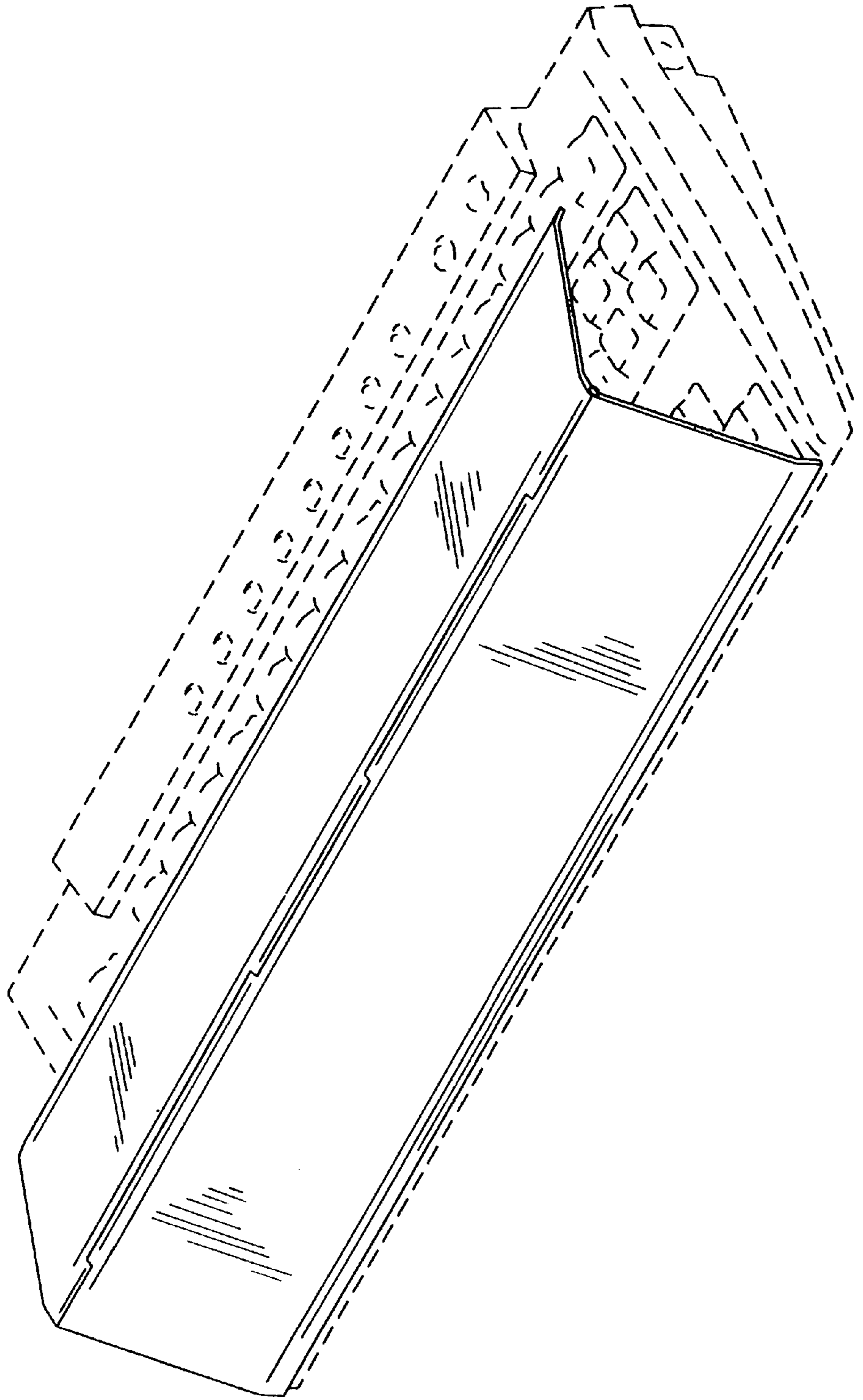


FIG. 9

