



US00D438867S

(12) **United States Design Patent**
Jean et al.

(10) **Patent No.:** **US D438,867 S**

(45) **Date of Patent:** **** Mar. 13, 2001**

(54) **COMPUTER FRONT BEZEL**

(75) Inventors: **Paul Jean**, Taipei; **Kaven Kan**,
Tau-Yuan; **Ying Sheng**, Taipei, all of
(TW)

(73) Assignee: **Hon Hai Precision Ind. Co., Ltd.**,
Taipei Hsien (TW)

(**) Term: **14 Years**

(21) Appl. No.: **29/122,241**

(22) Filed: **Apr. 20, 2000**

(51) **LOC (7) Cl.** **14-02**

(52) **U.S. Cl.** **D14/444**

(58) **Field of Search** D14/441, 444,
D14/446; D13/162, 184, 199, 164, 177;
312/223.2; 361/680-686

(56) **References Cited**

U.S. PATENT DOCUMENTS

- D. 315,149 * 3/1991 Welch D14/446
- D. 369,792 * 5/1996 Paterson et al. D14/444
- D. 381,327 * 7/1997 Su D14/444

- D. 390,216 * 2/1998 Lai D14/444
- 5,169,218 * 12/1992 Chu 312/223.2

* cited by examiner

Primary Examiner—Freda Nunn

(74) *Attorney, Agent, or Firm*—Wei Te Chung

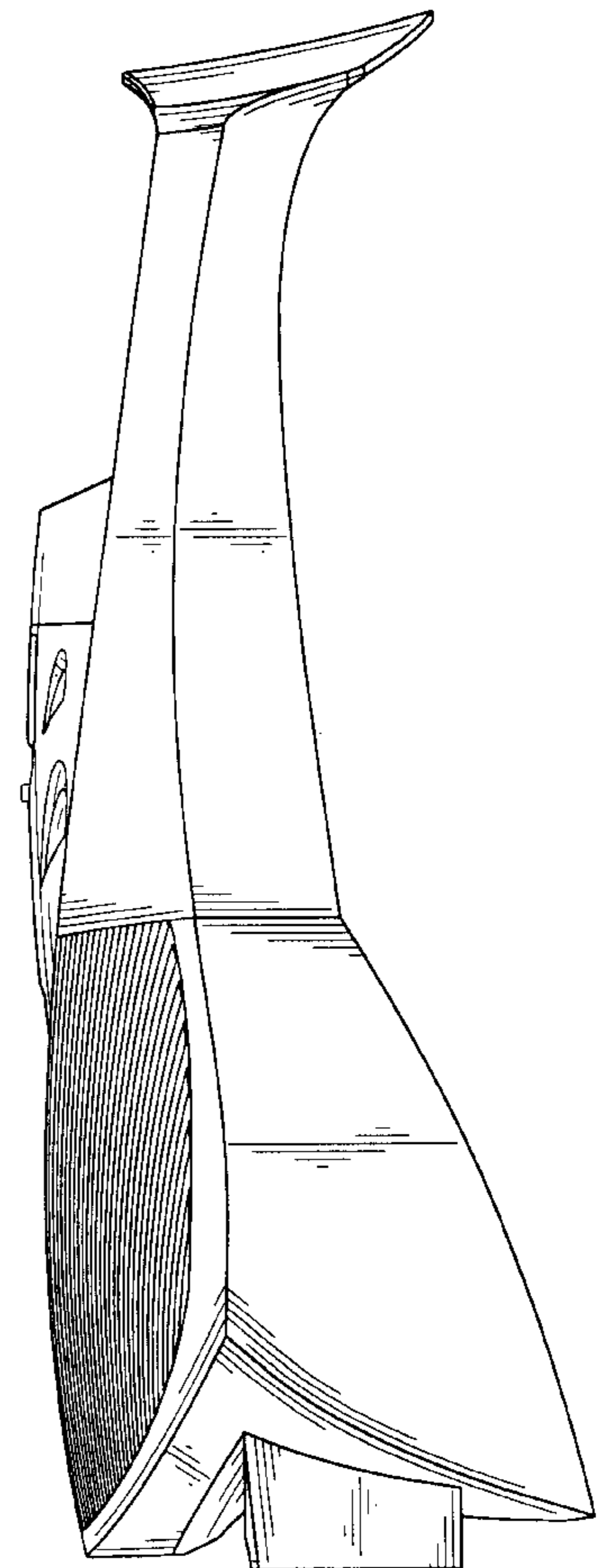
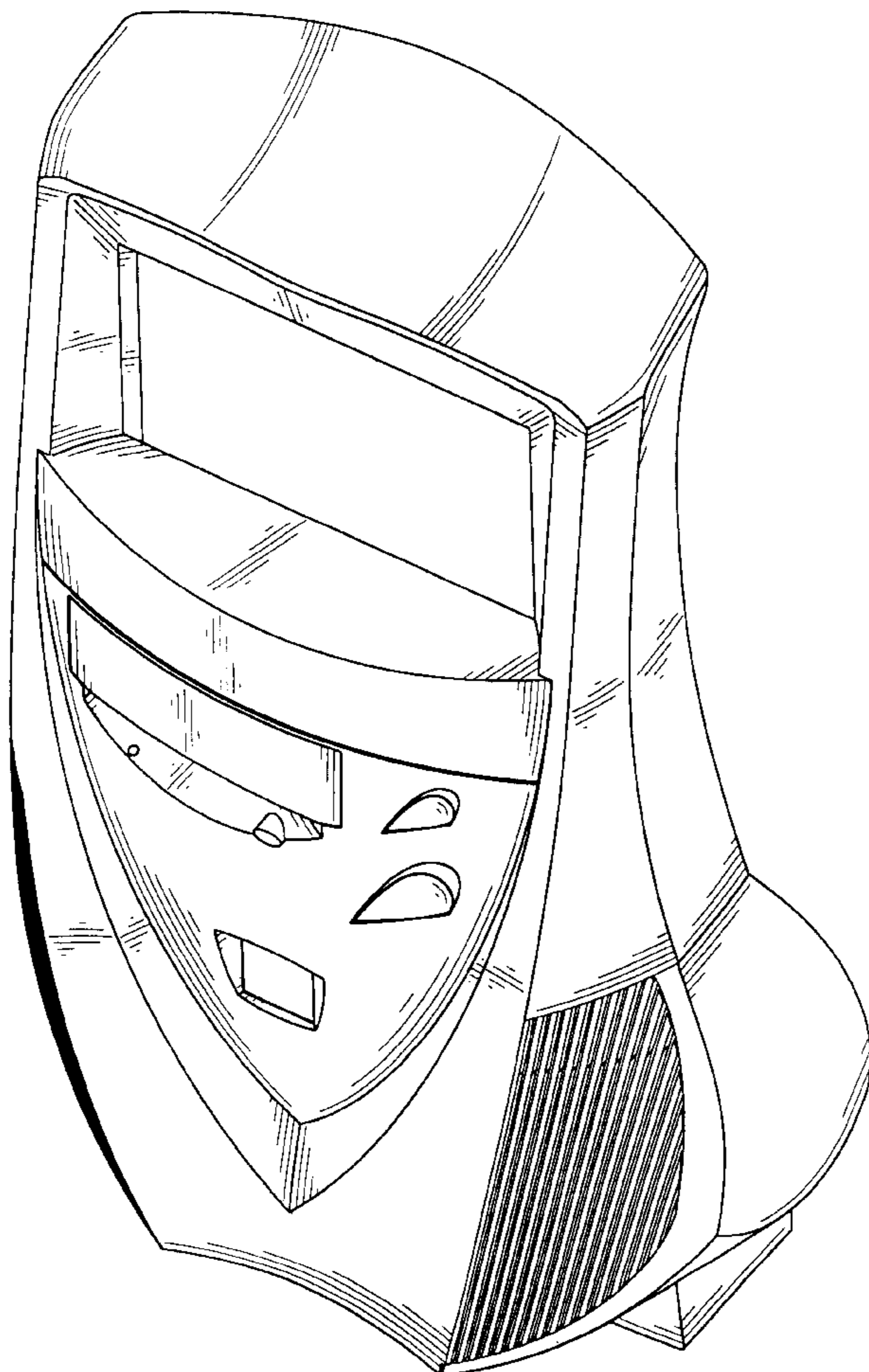
(57) **CLAIM**

The ornamental design for a computer front bezel, as shown and described.

DESCRIPTION

FIG. 1 is a perspective view of a computer front bezel showing our new design;
 FIG. 2 is a front elevational view thereof;
 FIG. 3 is a rear elevational view thereof;
 FIG. 4 is a left side elevational view thereof;
 FIG. 5 is a right side elevational view thereof;
 FIG. 6 is a top plan view thereof;
 FIG. 7 is a bottom plan view thereof; and,
 FIG. 8 is a reduced perspective view thereof being shown attached to a computer which is shown in broken lines for illustrative purposes only and forms no part of the claimed design.

1 Claim, 7 Drawing Sheets



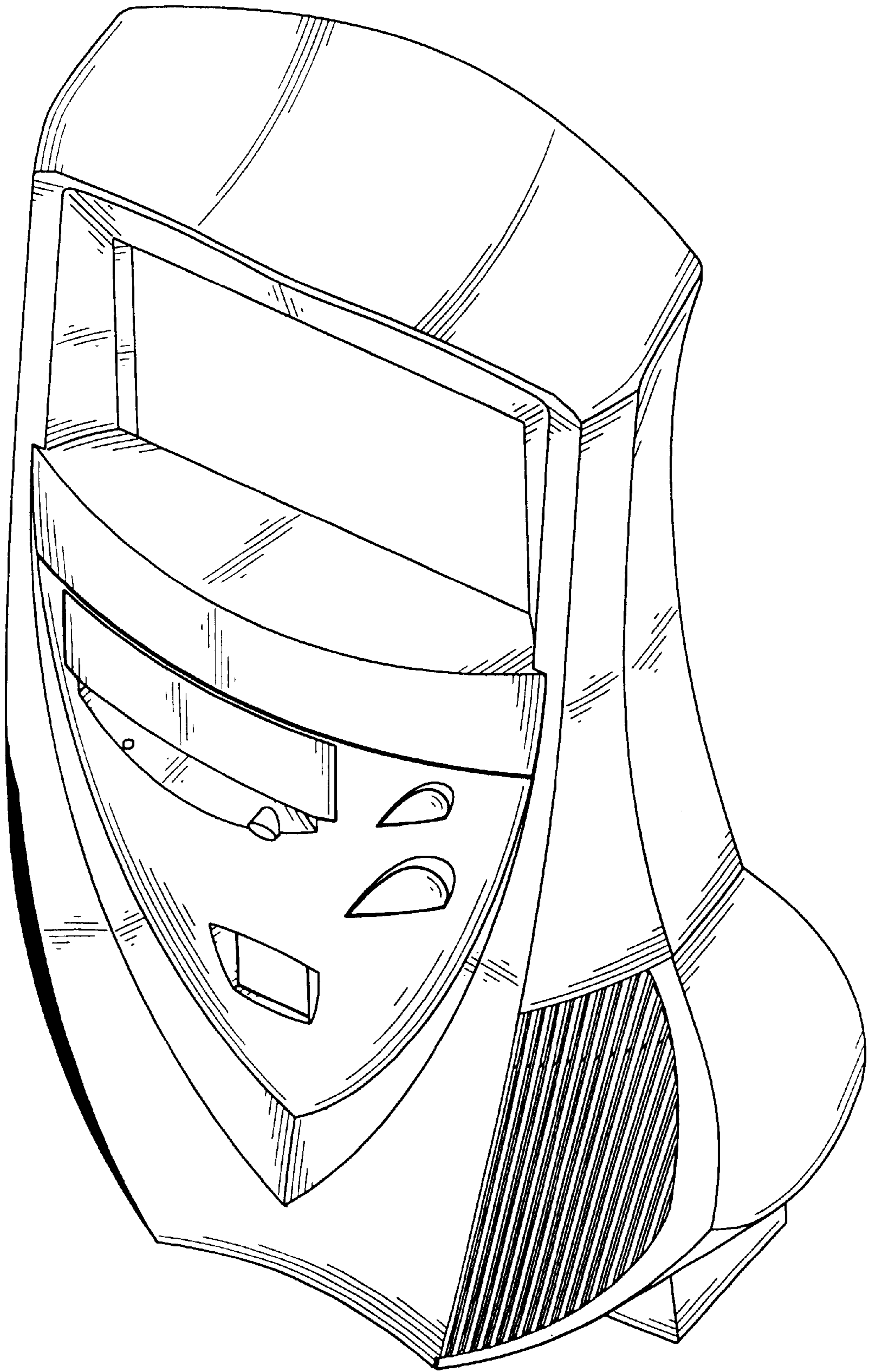


FIG. 1

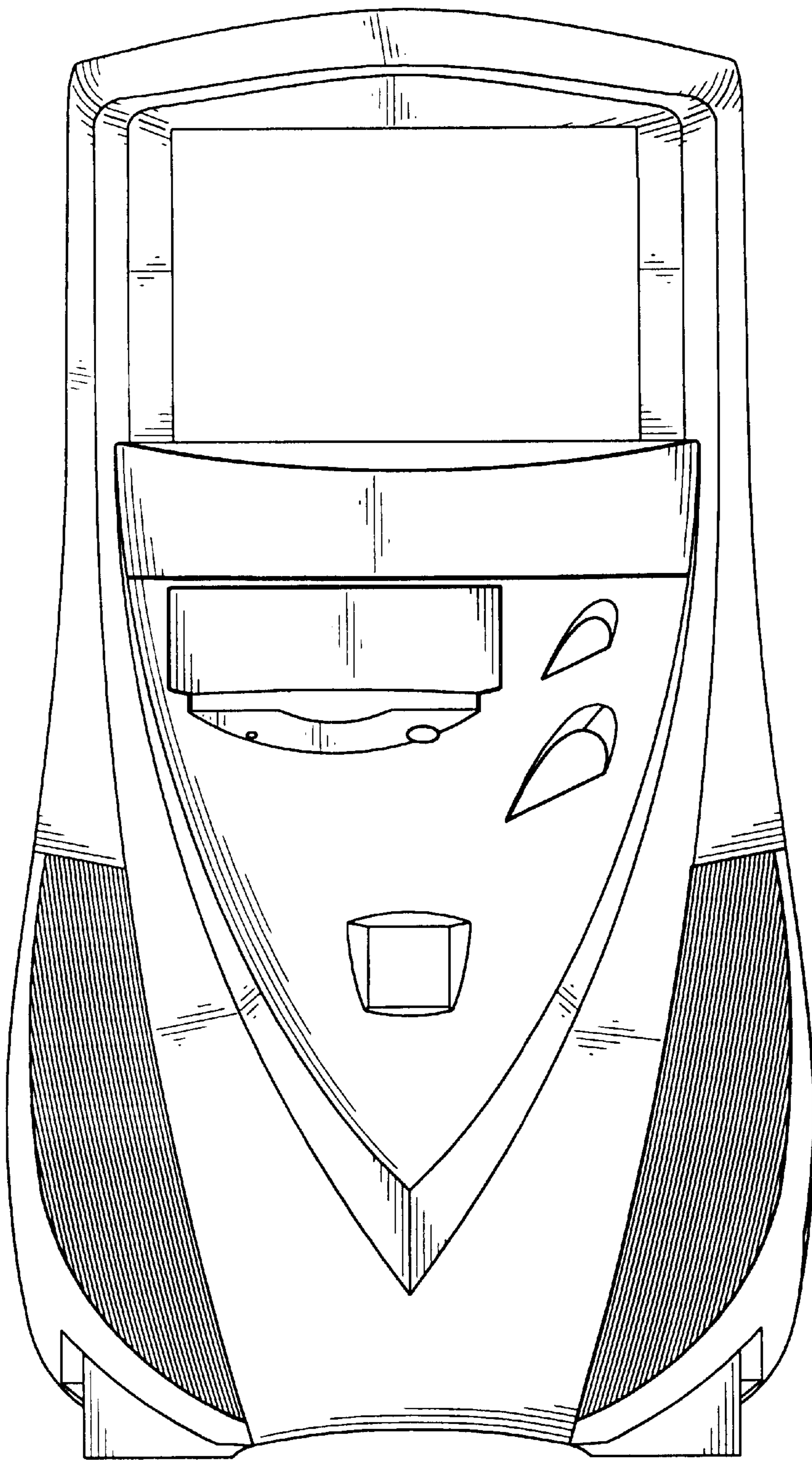


FIG. 2

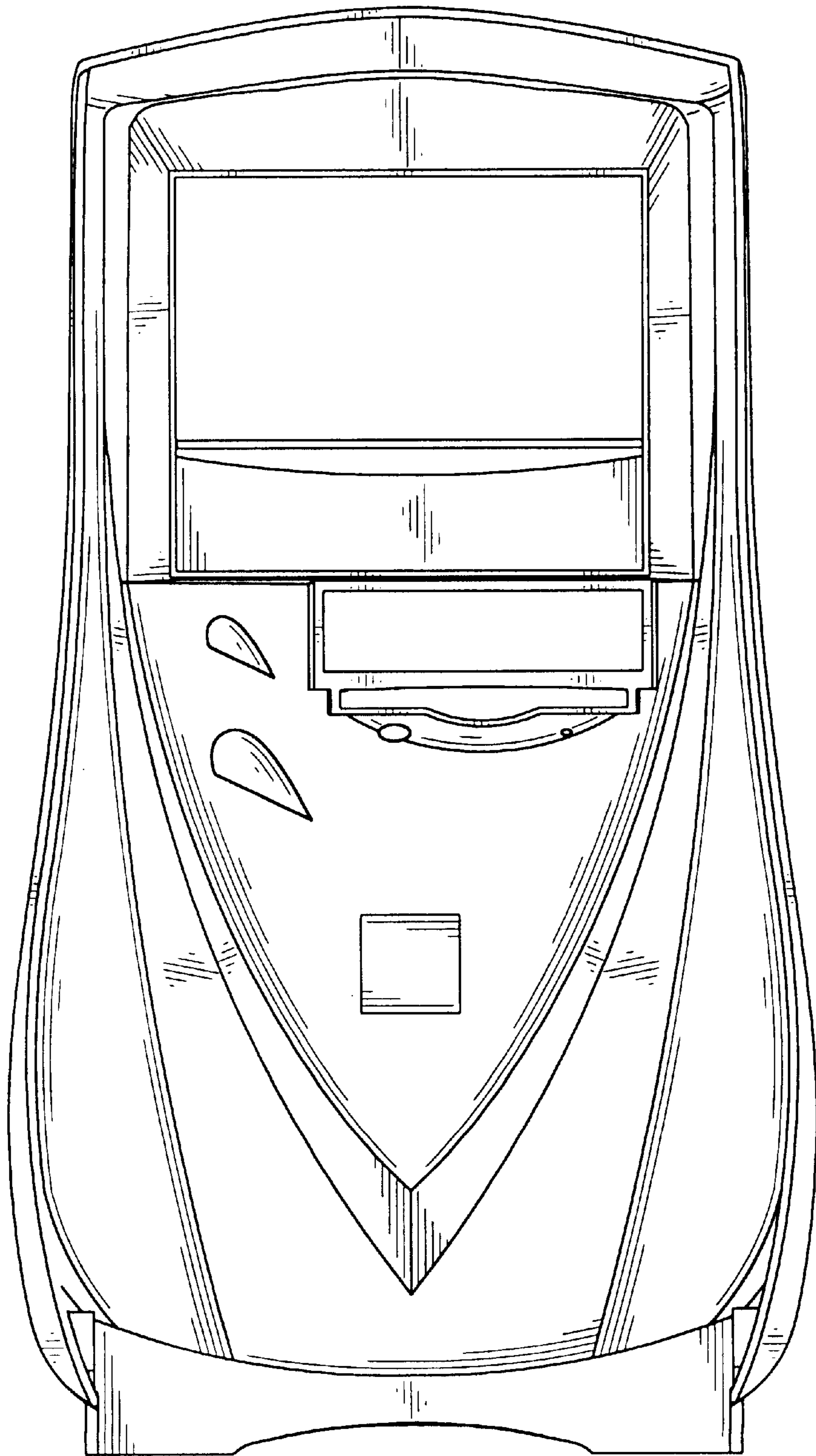


FIG.3

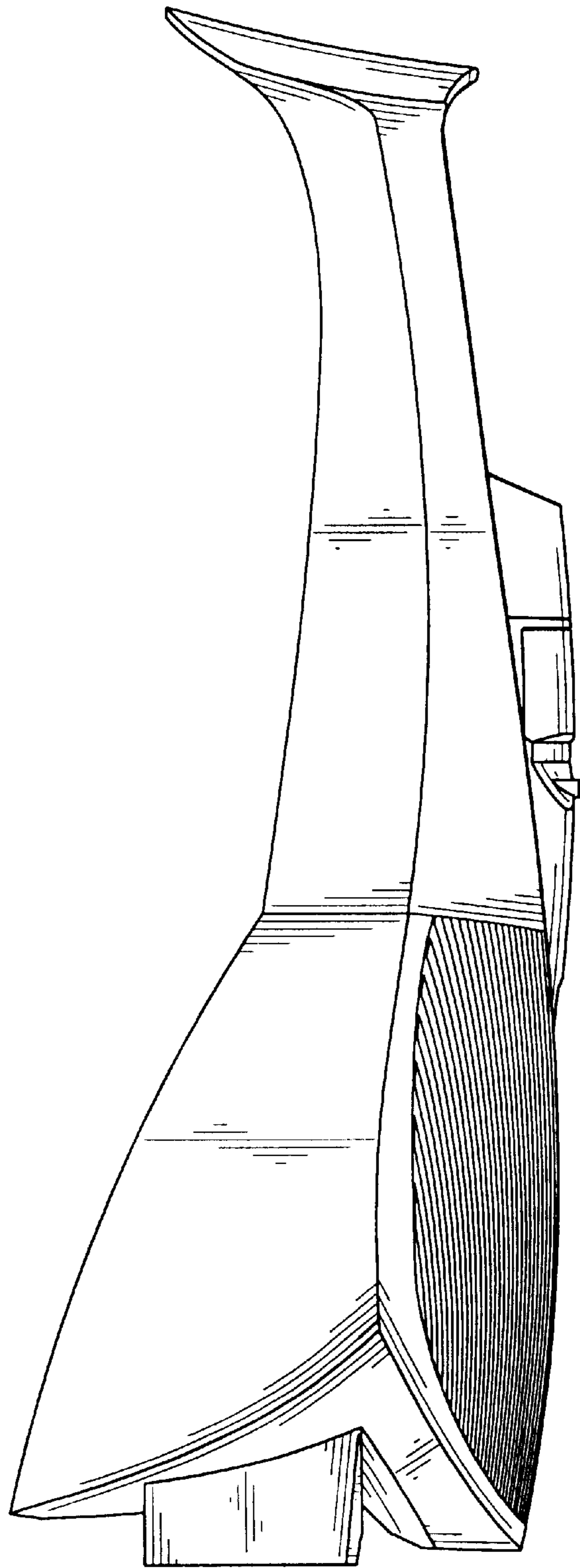


FIG. 4

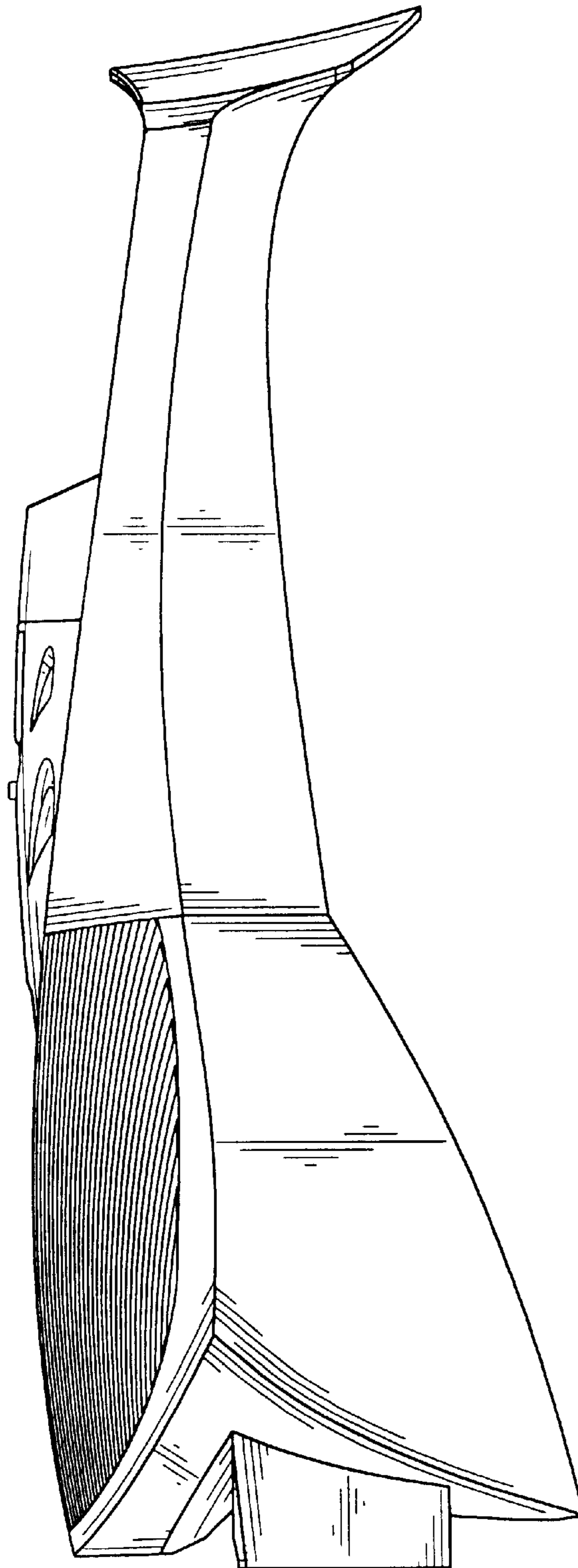


FIG. 5

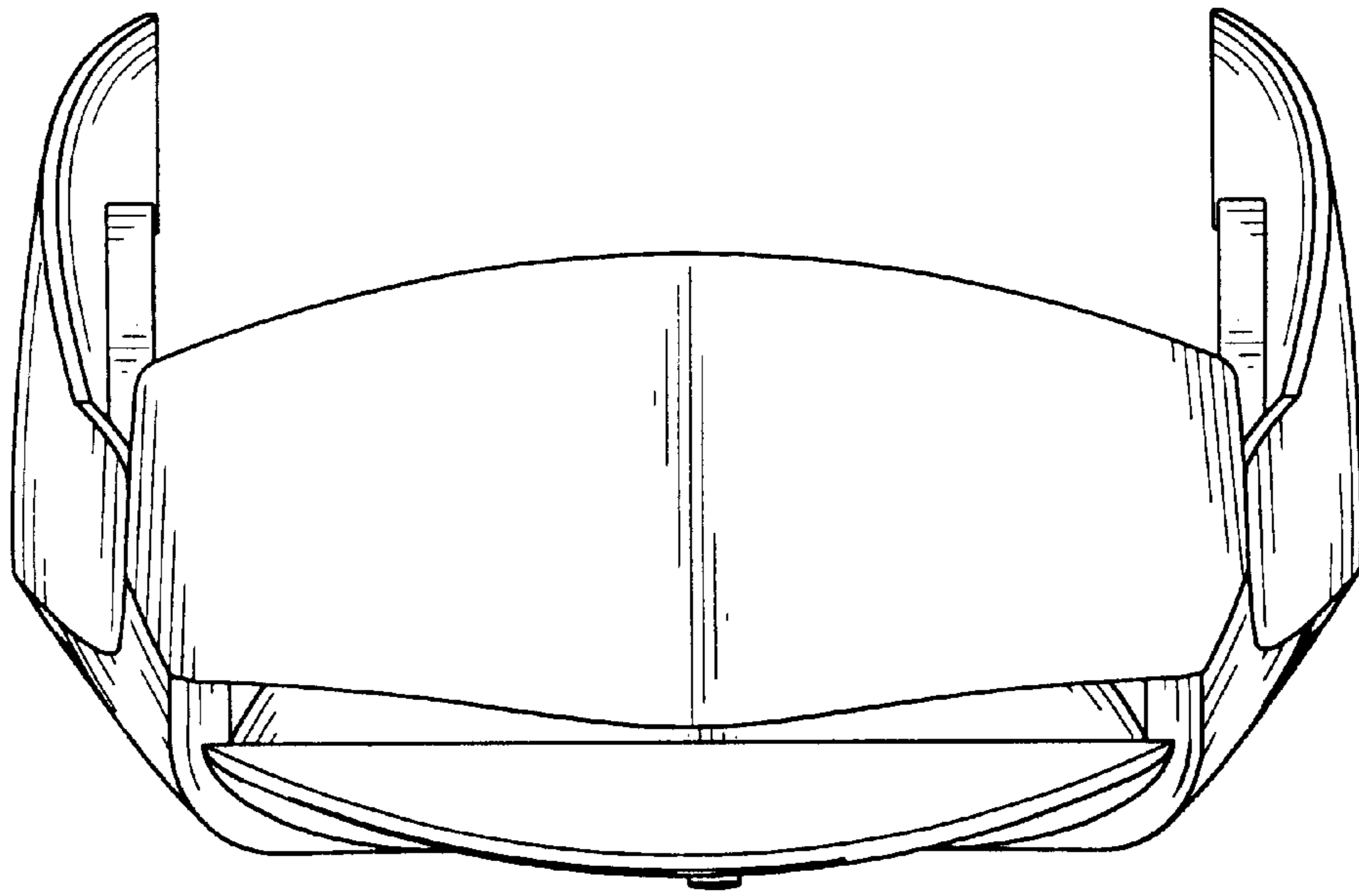


FIG. 6

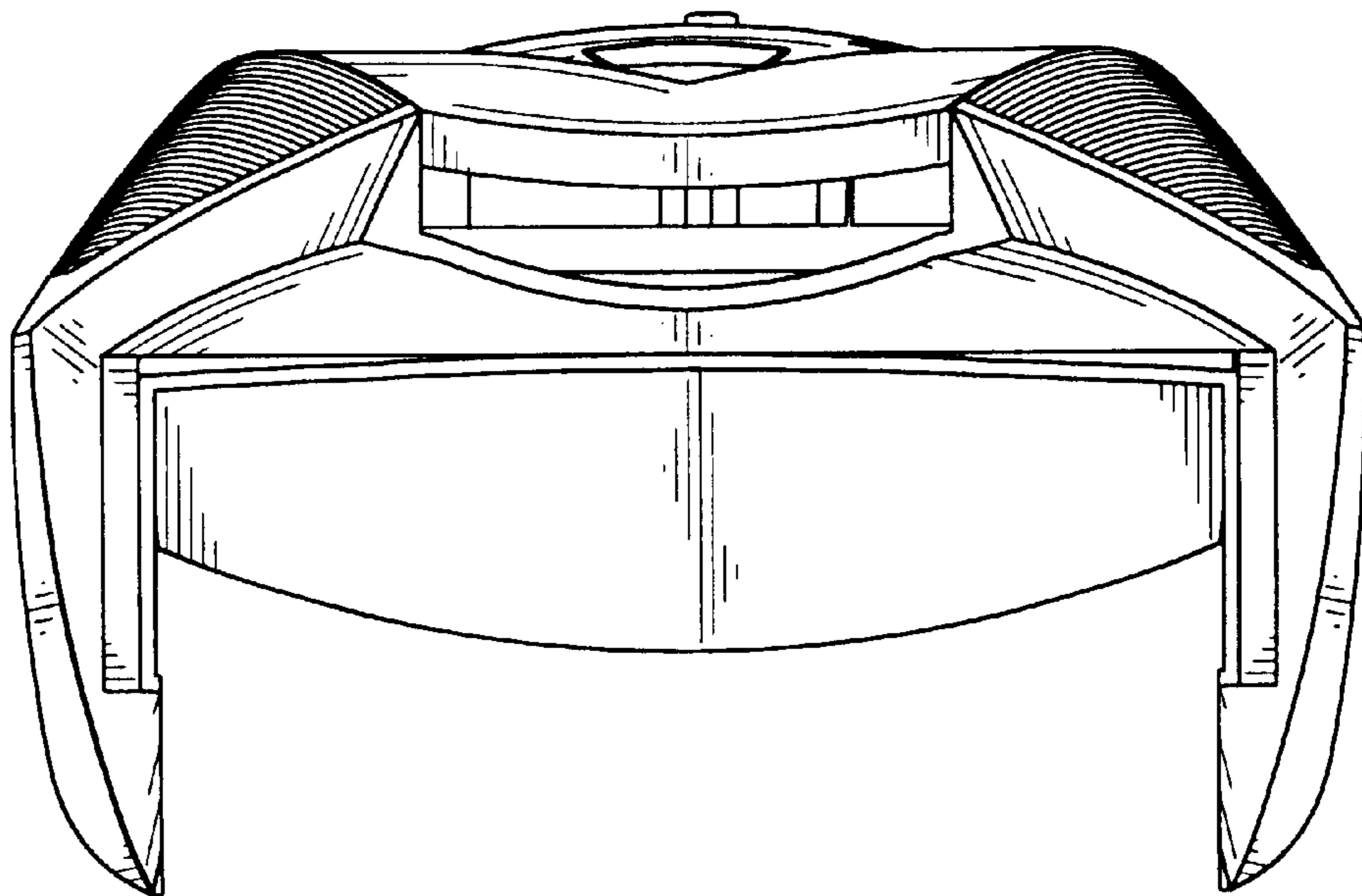


FIG. 7

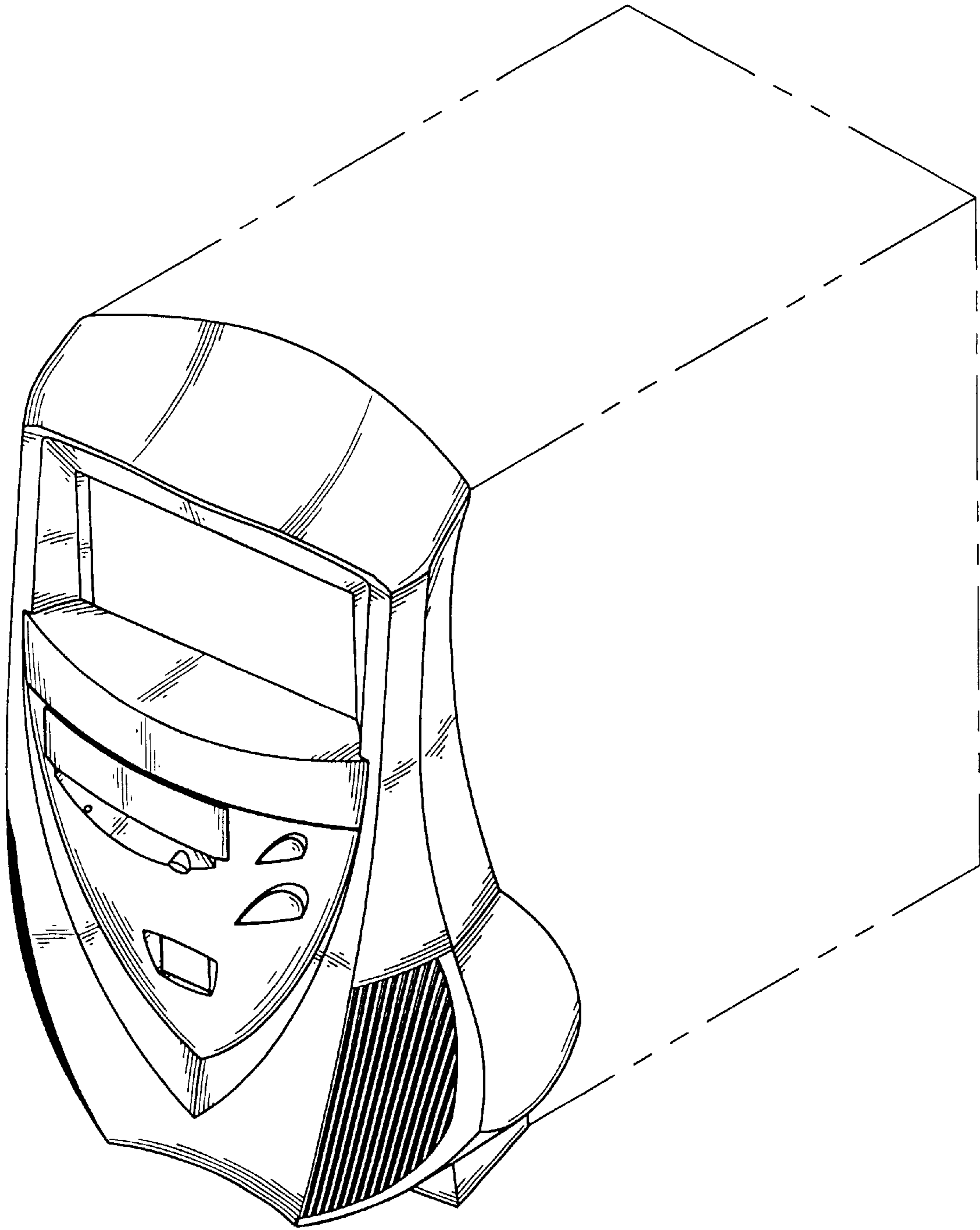


FIG. 8