



US00D438863S

(12) **United States Design Patent**
Ho et al.

(10) **Patent No.:** **US D438,863 S**

(45) **Date of Patent:** **** Mar. 13, 2001**

(54) **PERSONAL COMPUTER**

(75) Inventors: **Tong Ho; Daniel M Koo**, both of Taipei (TW)

(73) Assignee: **Proview Electronics (Taiwan) Co., Ltd.**, Taipei Hsien (TW)

(**) Term: **14 Years**

(21) Appl. No.: **29/127,189**

(22) Filed: **Jul. 31, 2000**

(30) **Foreign Application Priority Data**

Jun. 3, 2000 (TW) 089303784

(51) **LOC (7) Cl.** **14-02**

(52) **U.S. Cl.** **D14/336**

(58) **Field of Search** D14/336, 337, D14/371, 126-129; 345/104, 156, 168, 173, 901-905, 87, 133; 361/680-686; 364/708.1; 358/249, 254, 255

(56) **References Cited**

U.S. PATENT DOCUMENTS

D. 361,550 * 8/1995 Mundt et al. D14/337

D. 368,254 * 3/1996 Meschter et al. D14/337

D. 370,466 * 6/1996 Vossoughi D14/336

D. 383,444 * 9/1997 Han D14/337

* cited by examiner

Primary Examiner—Freda Nunn

(74) *Attorney, Agent, or Firm*—Weingarten, Schurgin, Gagnebin & Hayes LLP

(57) **CLAIM**

The ornamental design for a personal computer, as shown and described.

DESCRIPTION

FIG. 1 is a perspective view of a personal computer showing our new design;

FIG. 2 is a front elevational view thereof;

FIG. 3 is a rear elevational view thereof;

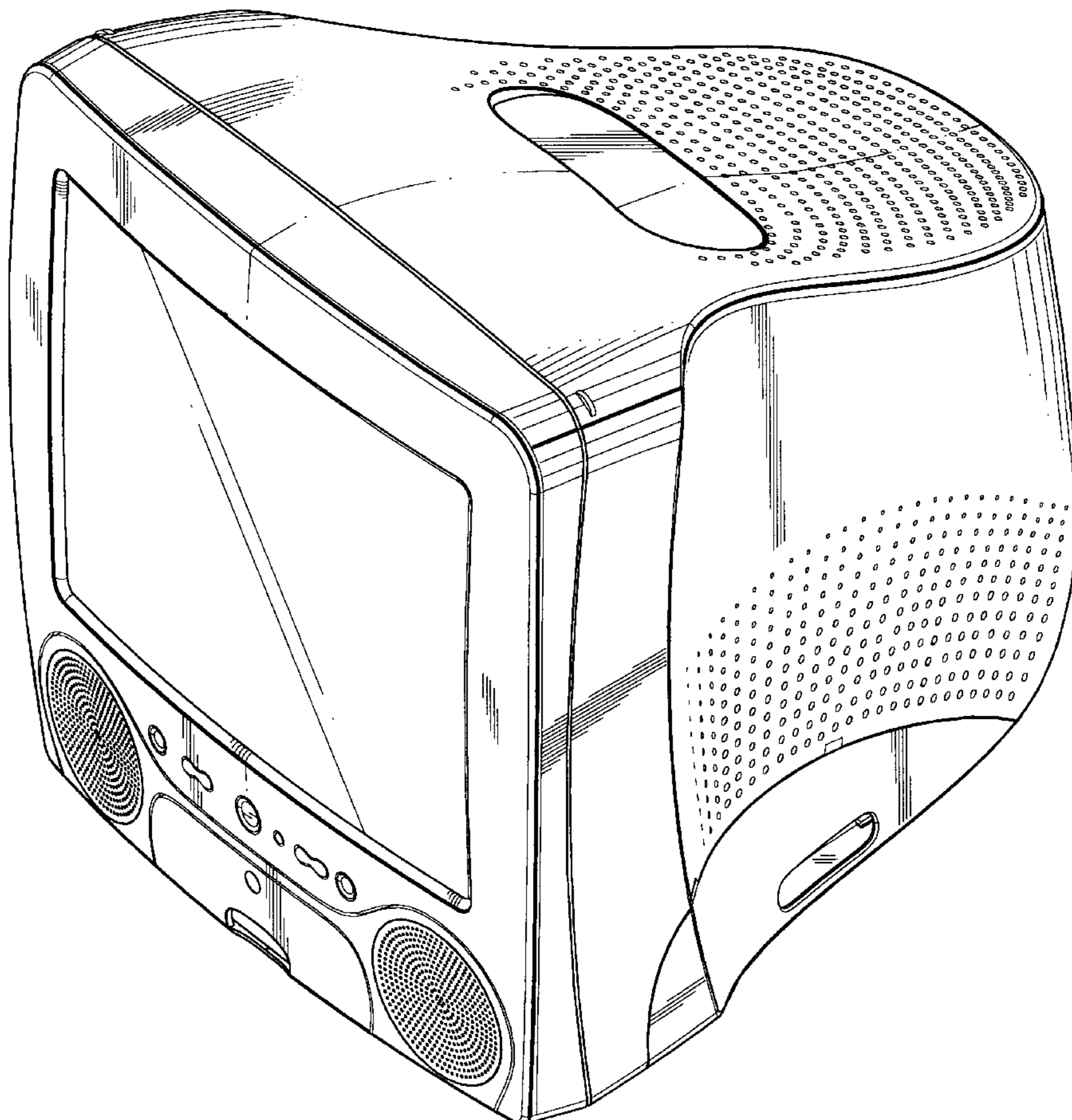
FIG. 4 is a left side elevational view thereof;

FIG. 5 is a right side elevational view thereof;

FIG. 6 is a top plan view thereof; and,

FIG. 7 is a bottom plan view thereof.

1 Claim, 7 Drawing Sheets



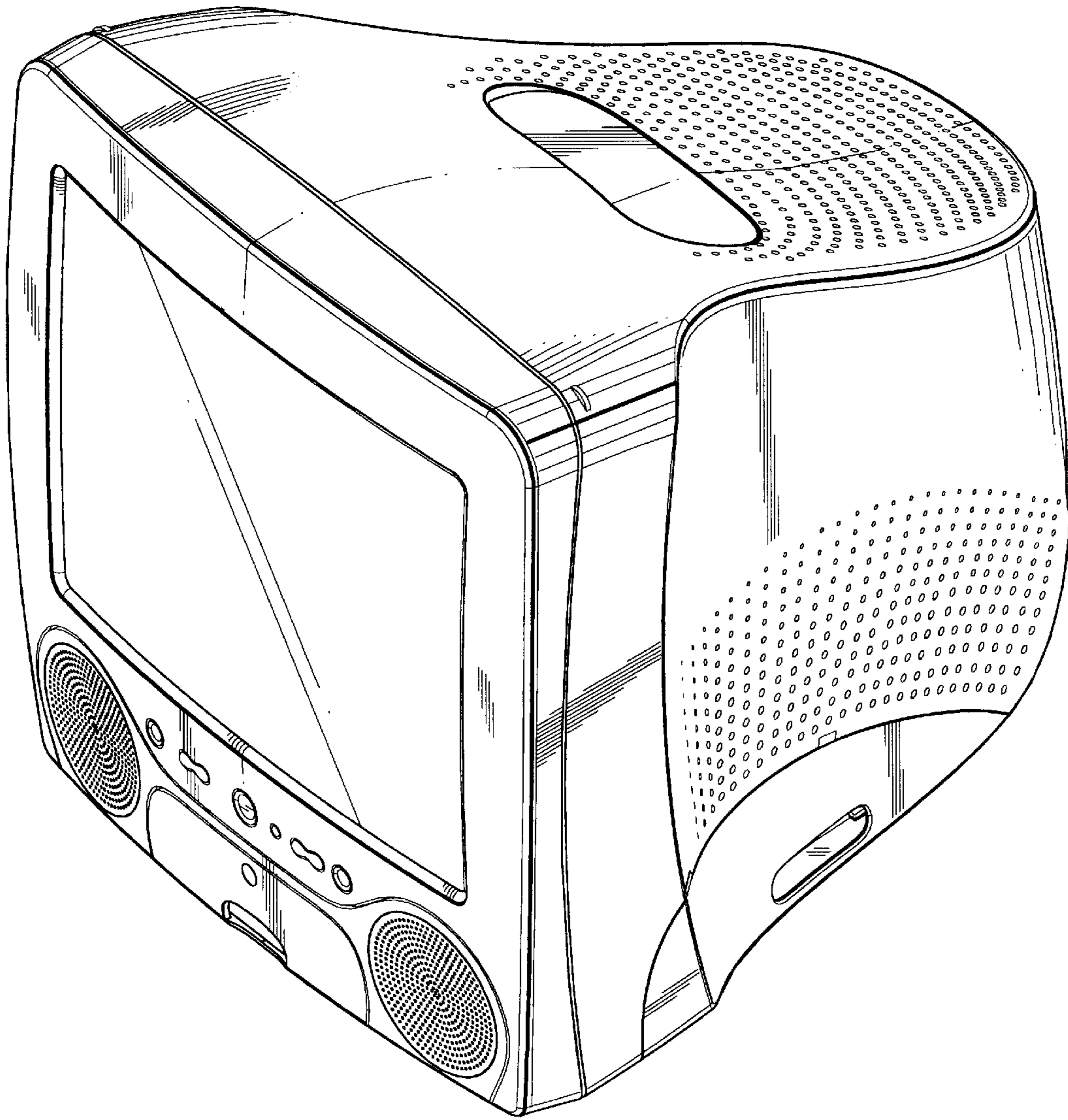


FIG. 1

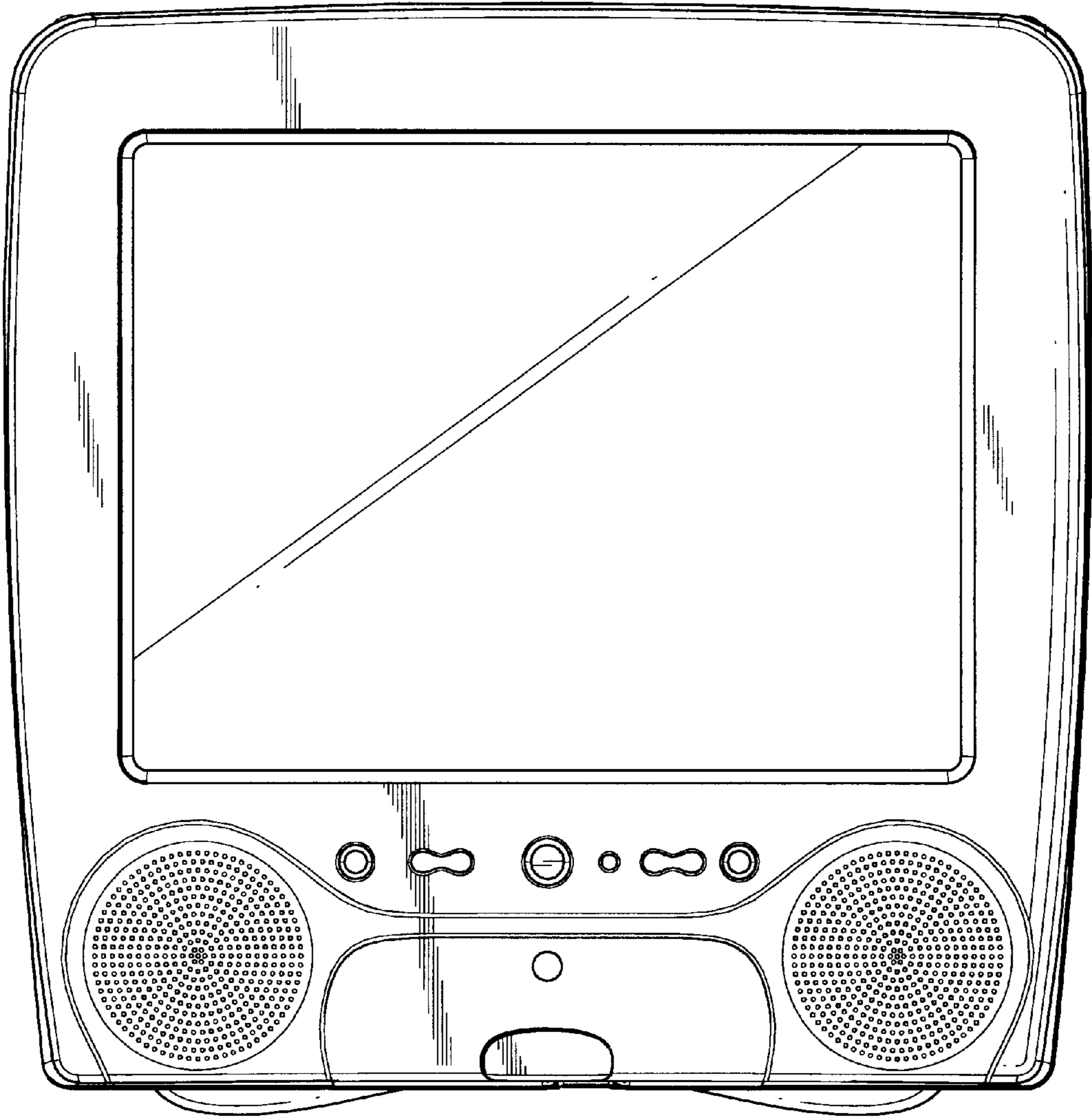


FIG. 2

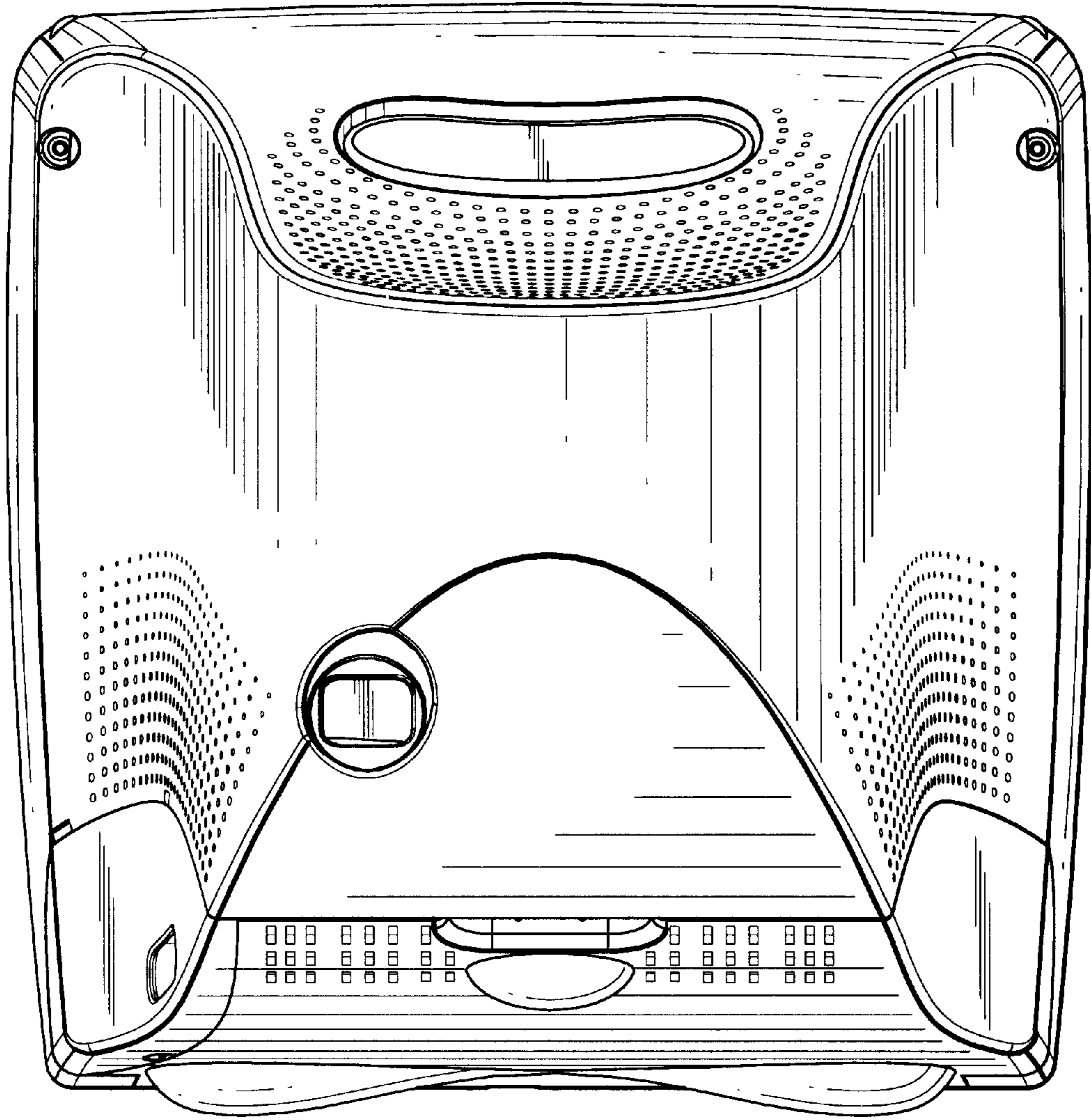


FIG. 3

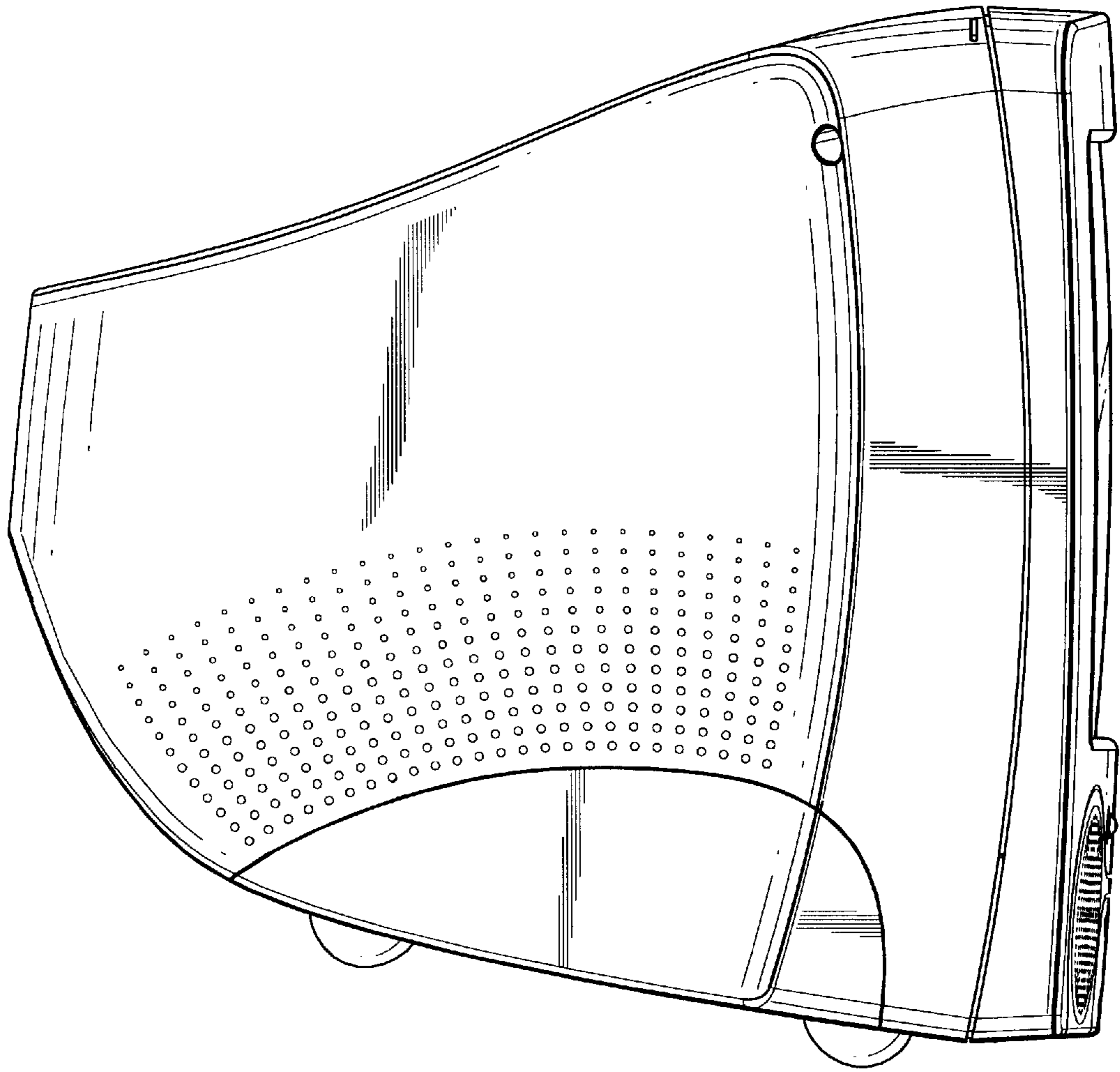


FIG. 4

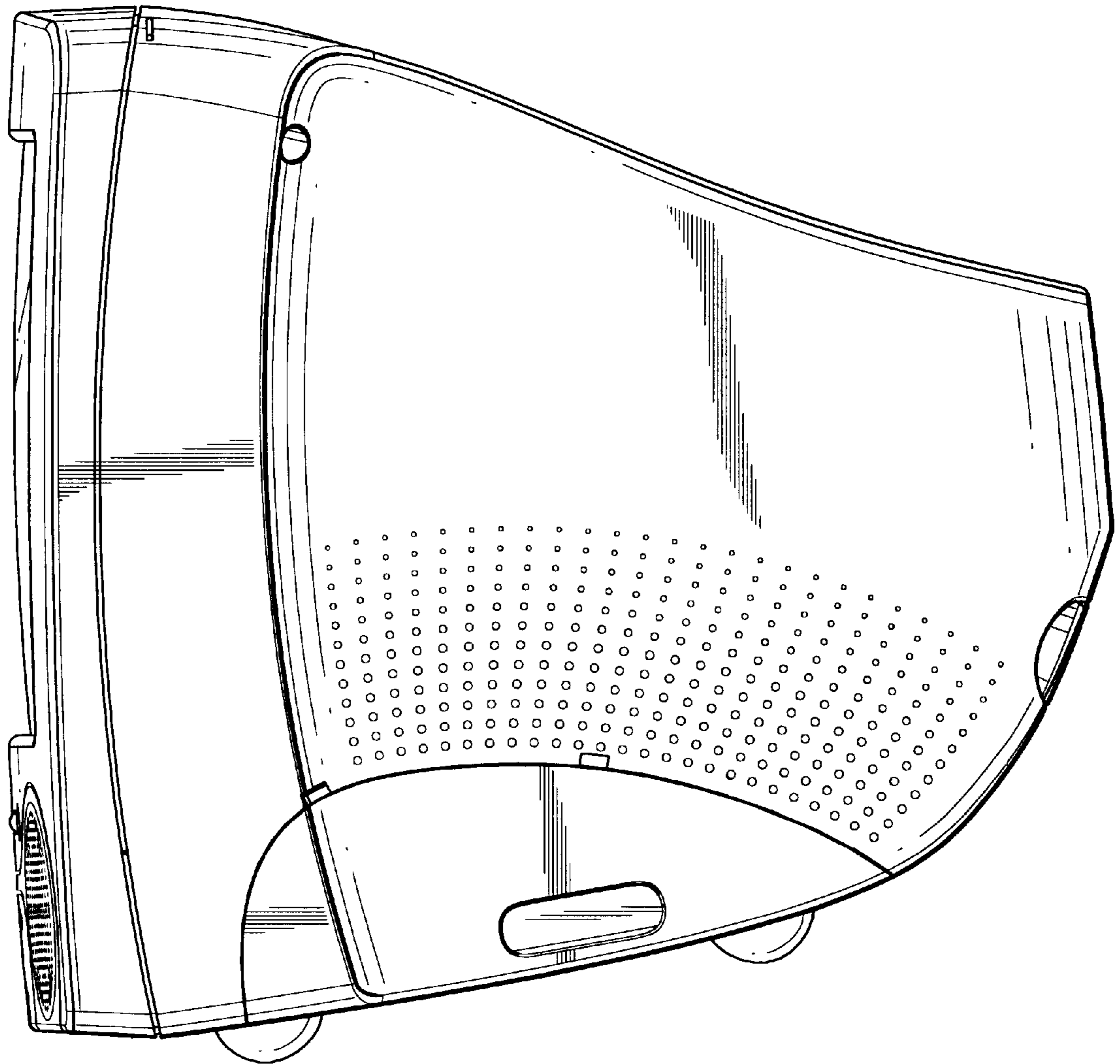


FIG. 5

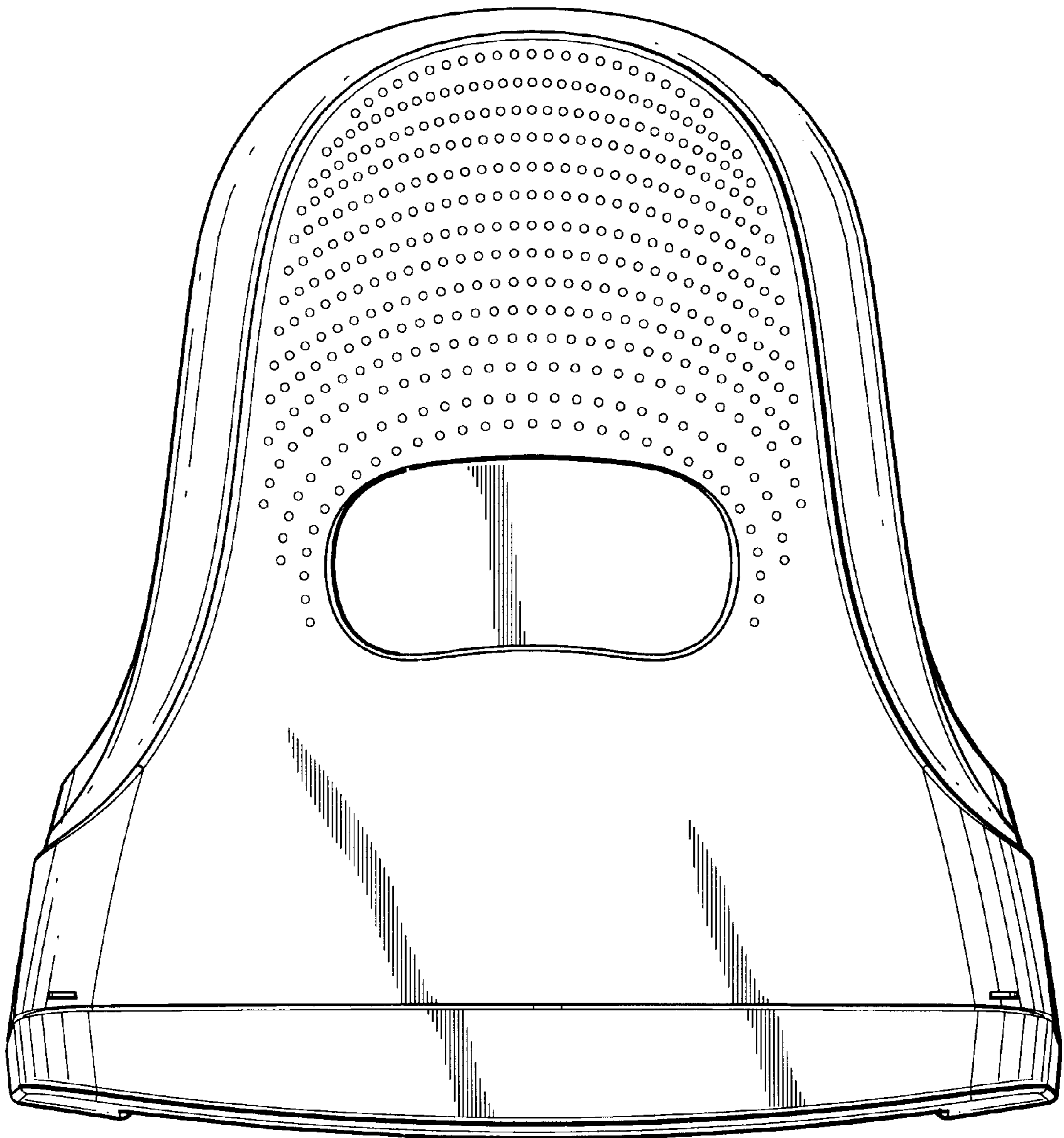


FIG. 6

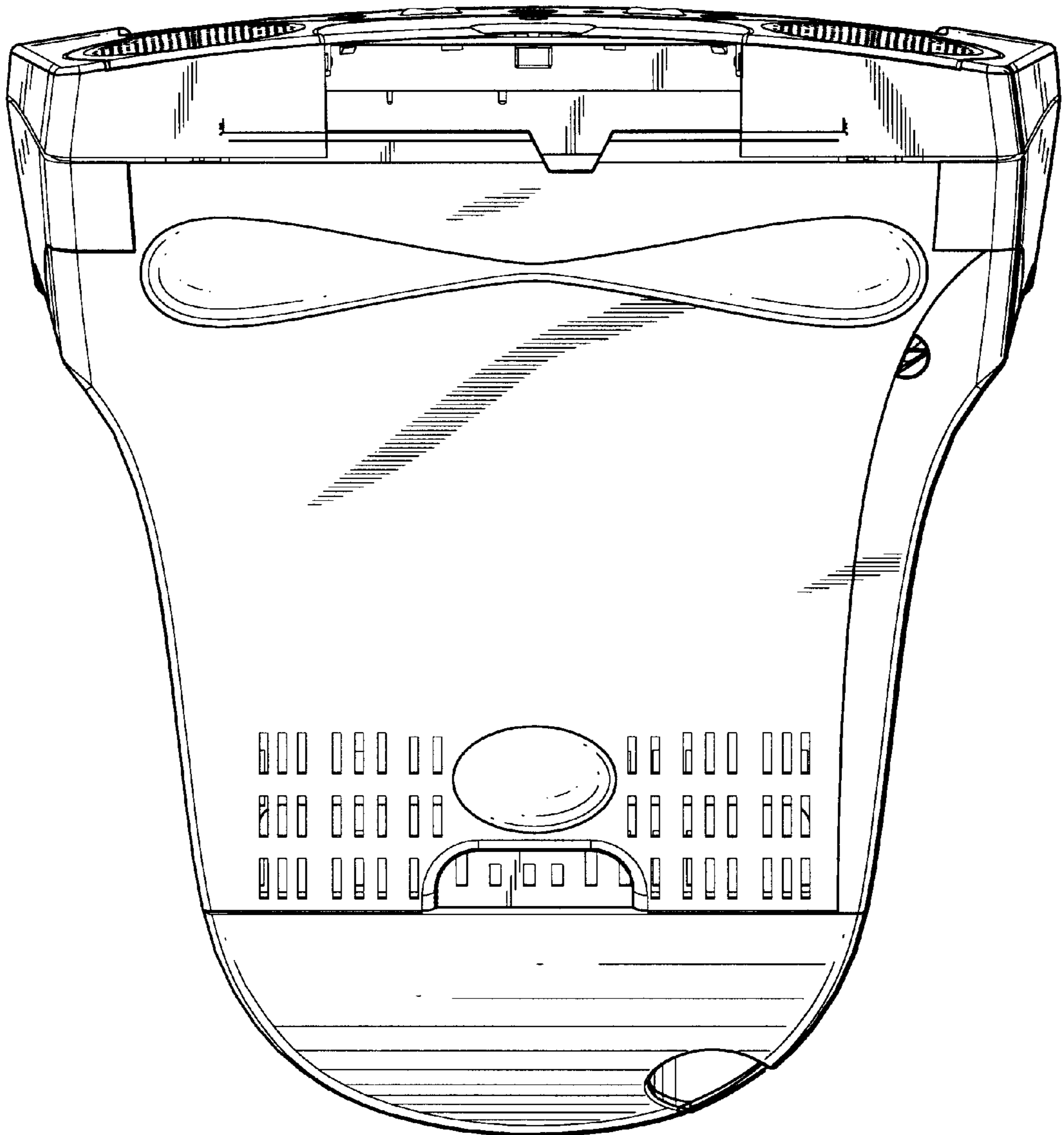


FIG. 7