



US00D438861S

(12) **United States Design Patent**  
**Jing**

(10) **Patent No.:** **US D438,861 S**

(45) **Date of Patent:** **\*\* Mar. 13, 2001**

(54) **MICROPHONE HOLDER**

(75) Inventor: **Panding Jing**, Taipei (TW)

(73) Assignee: **Yoga Electronics Co., Ltd**, Taipei (TW)

(\*\*) Term: **14 Years**

(21) Appl. No.: **29/127,430**

(22) Filed: **Aug. 3, 2000**

(51) **LOC (7) Cl.** ..... **14-99**

(52) **U.S. Cl.** ..... **D14/229**

(58) **Field of Search** ..... D8/373, 367, 394;  
D14/229; 248/108, 176.1, 200, 309.1, 311.2;  
224/666

(56) **References Cited**

**U.S. PATENT DOCUMENTS**

- D. 209,467 \* 12/1967 King ..... D8/367
- D. 251,908 \* 5/1979 Fujita ..... D14/229

\* cited by examiner

*Primary Examiner*—Holly Baynham

(74) *Attorney, Agent, or Firm*—Morgan, Lewis & Bockius LLP

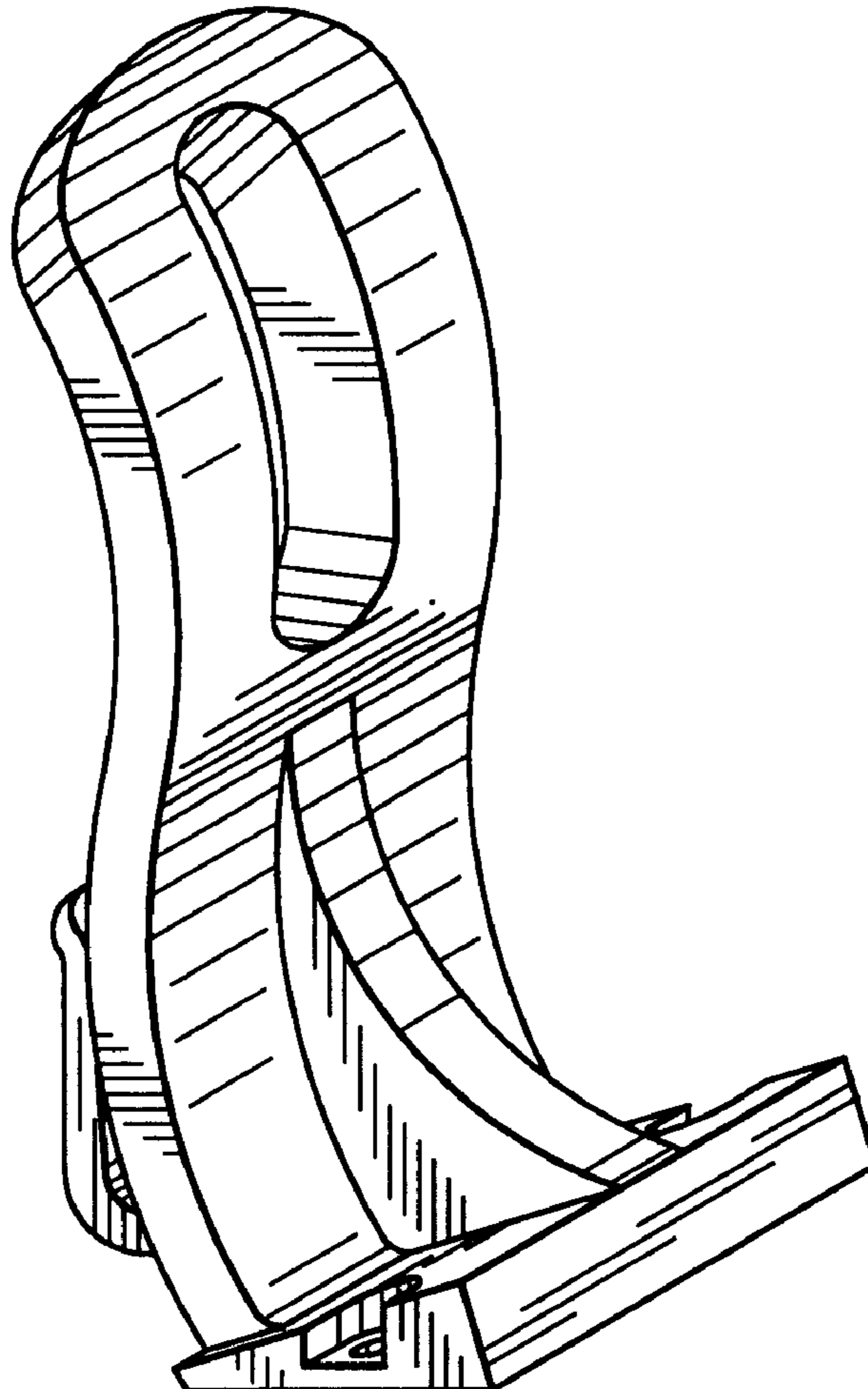
(57) **CLAIM**

The ornamental design for microphone holder, as shown and described.

**DESCRIPTION**

FIG. 1 is a perspective view of microphone holder showing my new design;  
 FIG. 2 is a front elevational view thereof;  
 FIG. 3 is a rear elevational view thereof;  
 FIG. 4 is a left side elevational view thereof;  
 FIG. 5 is a right side elevational view thereof;  
 FIG. 6 is a top plan view thereof;  
 FIG. 7 is a bottom plan view thereof; and,  
 FIG. 8 is an environmental left side elevational view with the broken line showing of a microphone and clamp being for illustrative purposes only and forming no part of the claimed design.

**1 Claim, 4 Drawing Sheets**



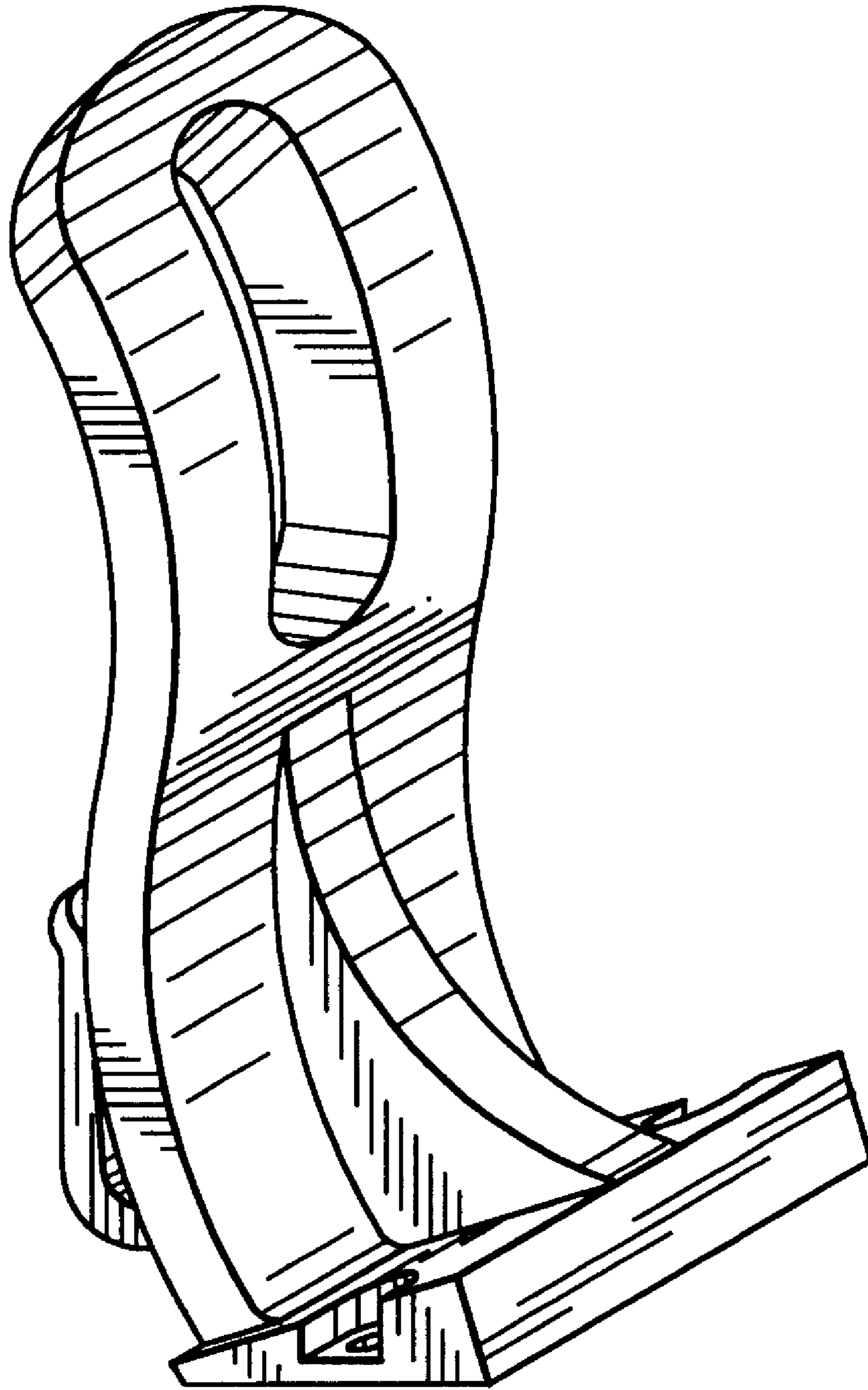


FIG. 1

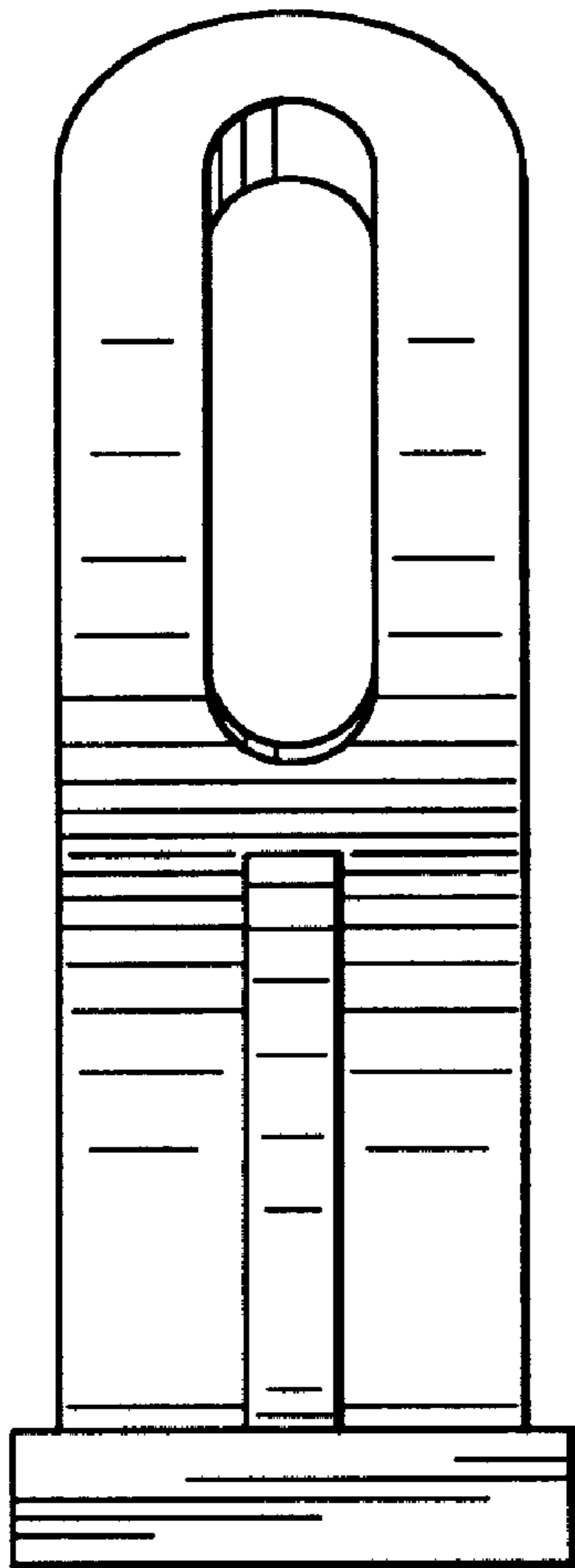


FIG. 2

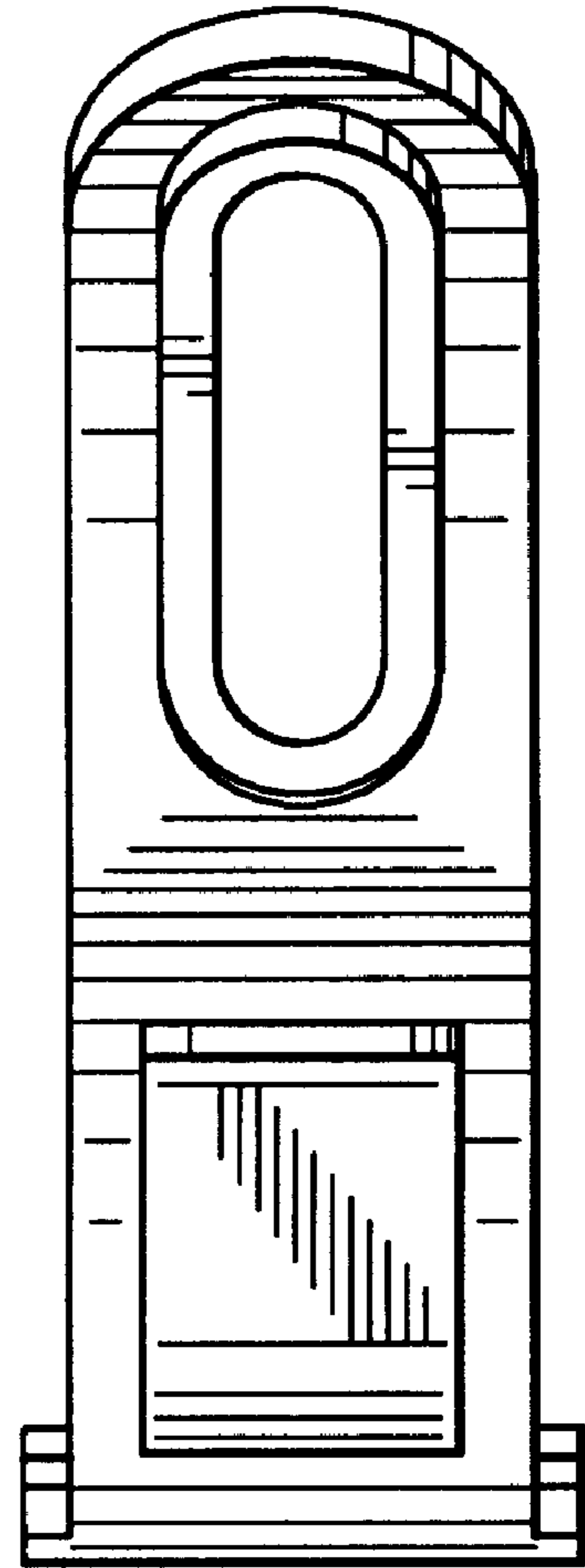


FIG. 3

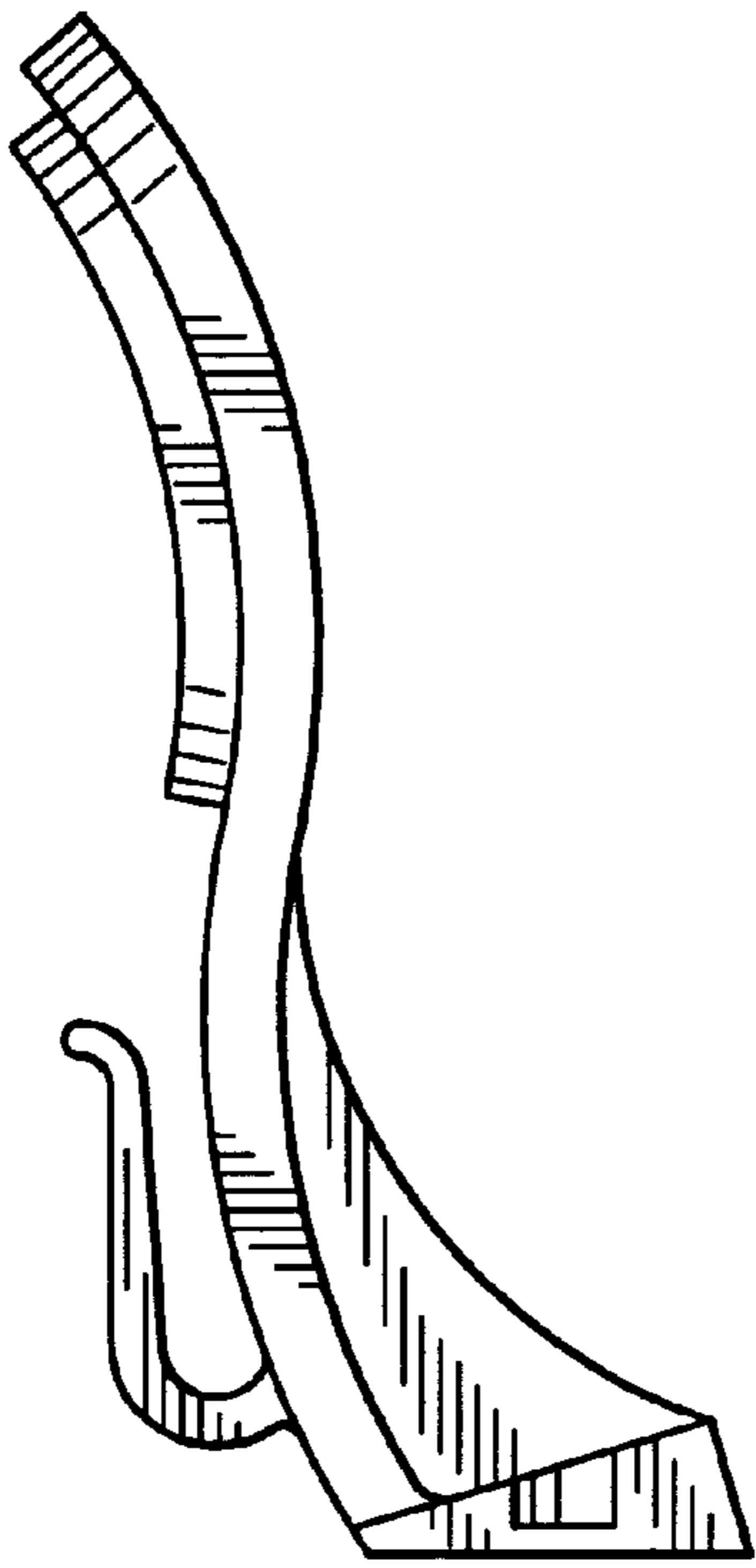


FIG. 4

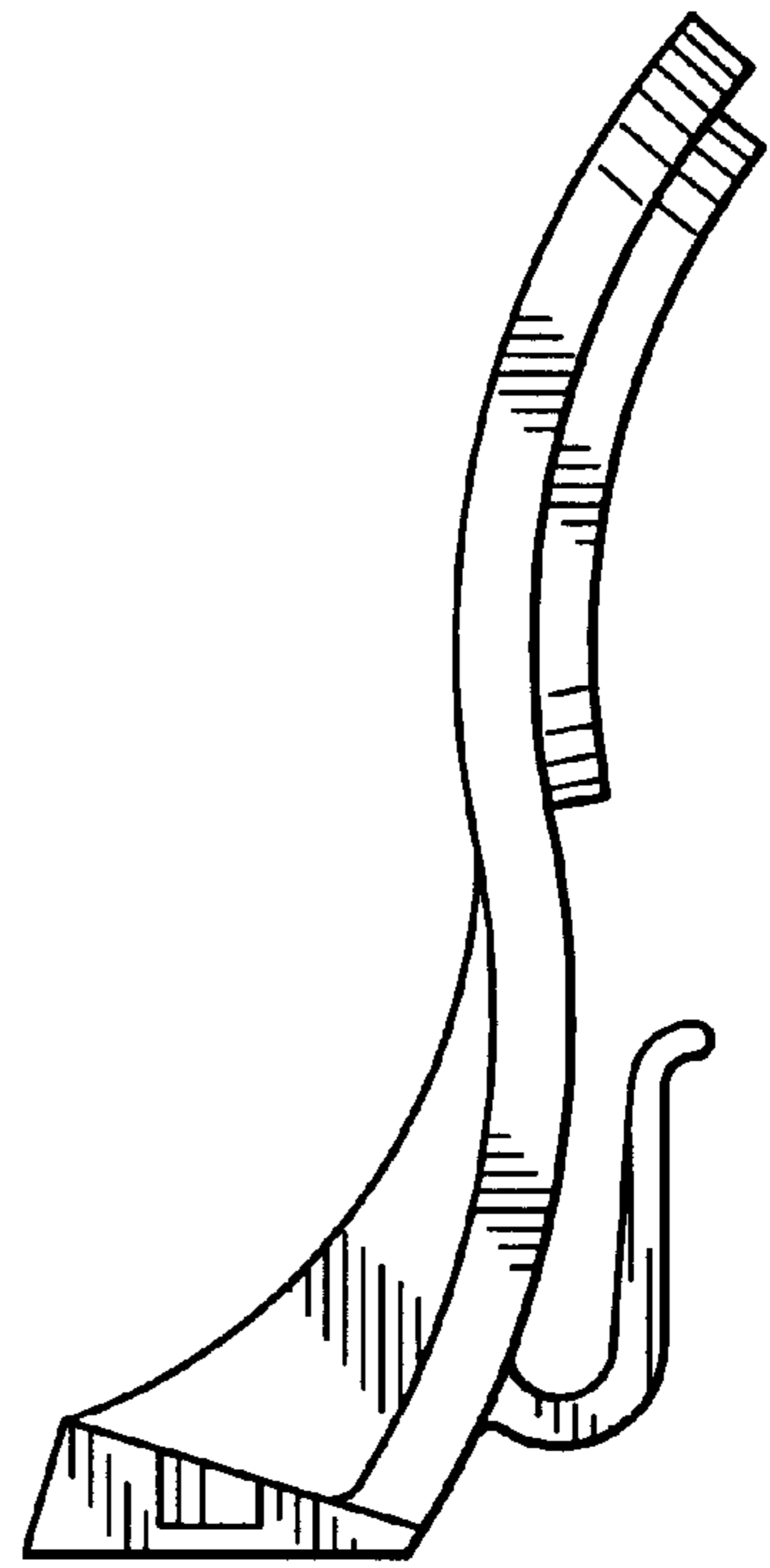


FIG. 5

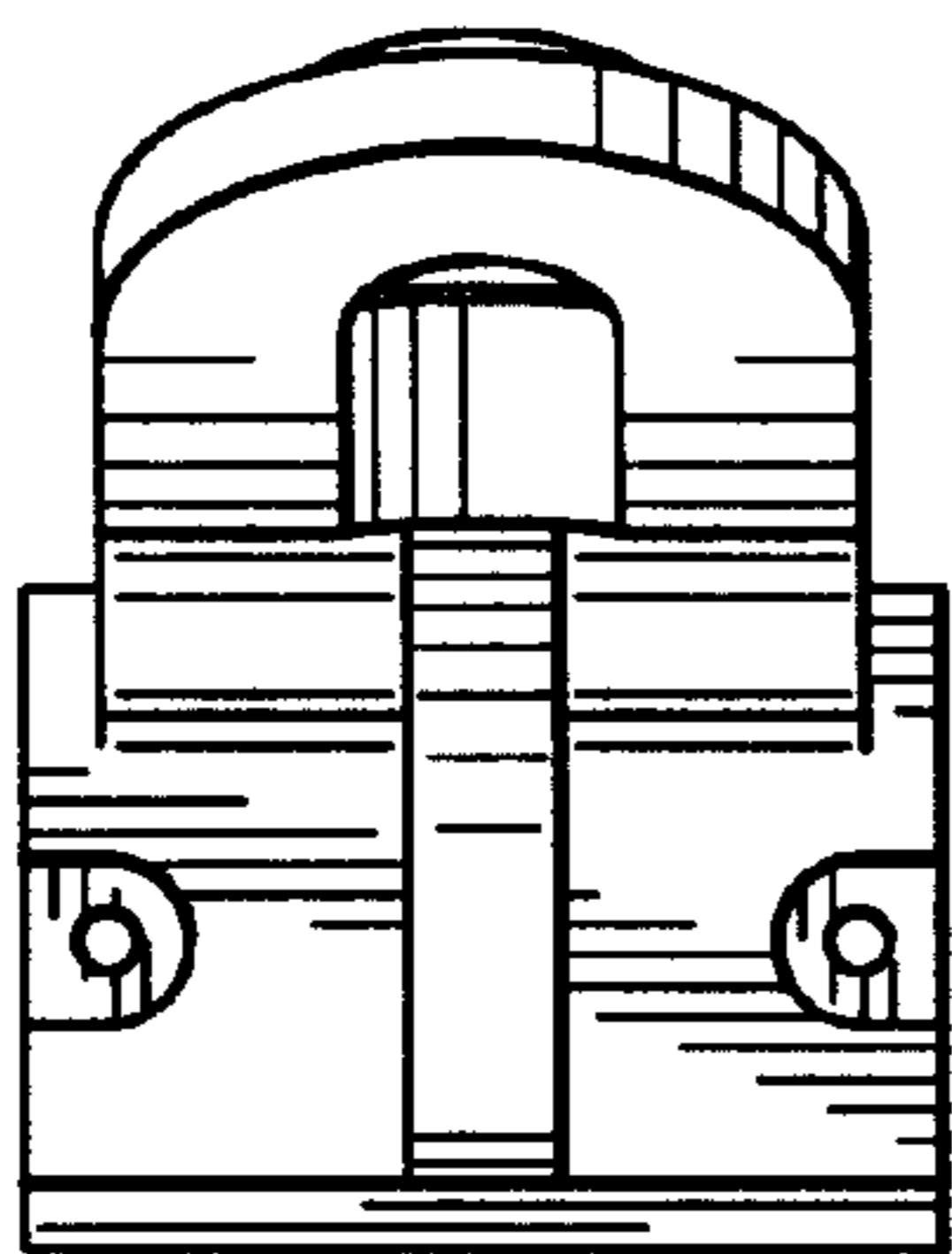


FIG. 6

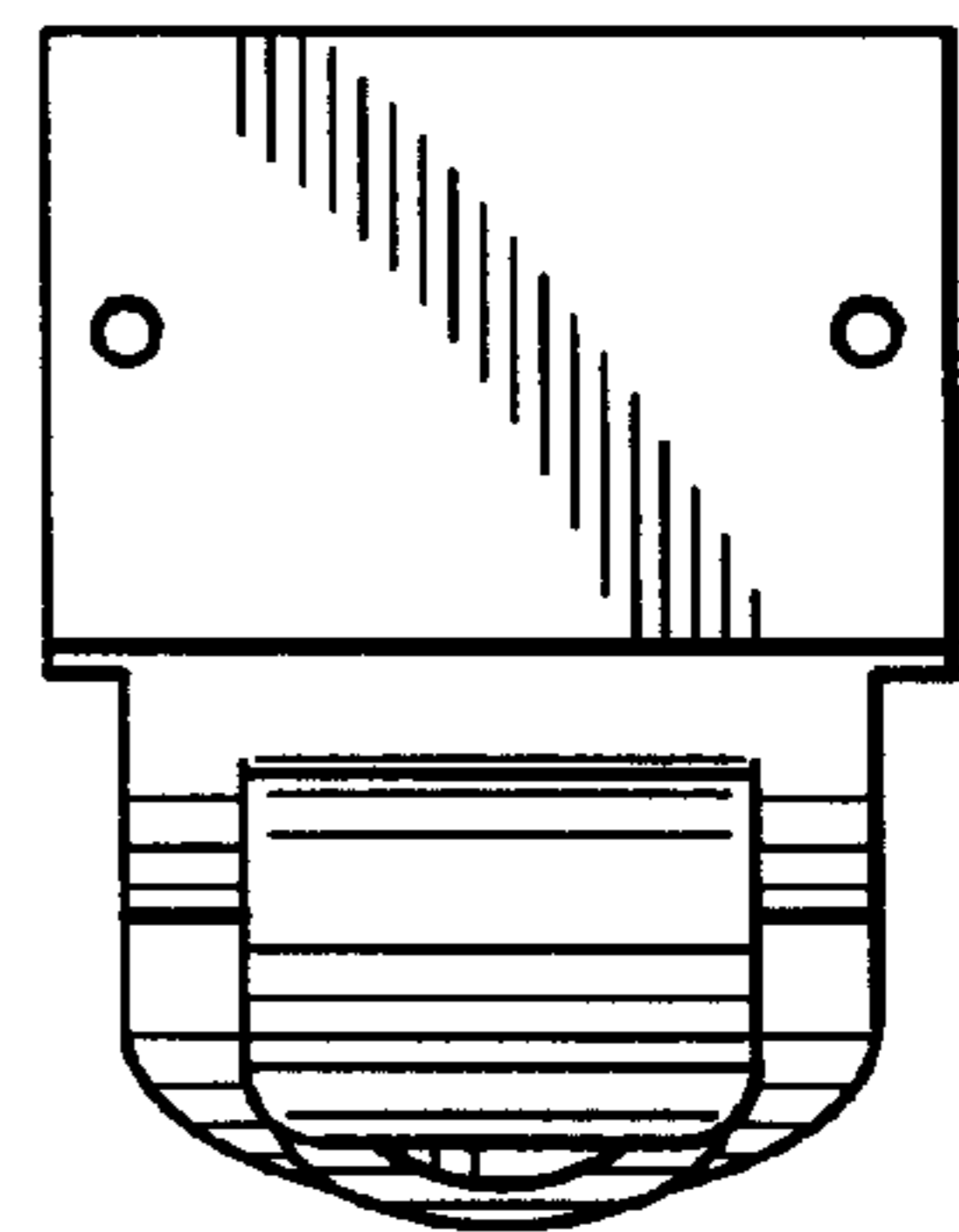


FIG. 7

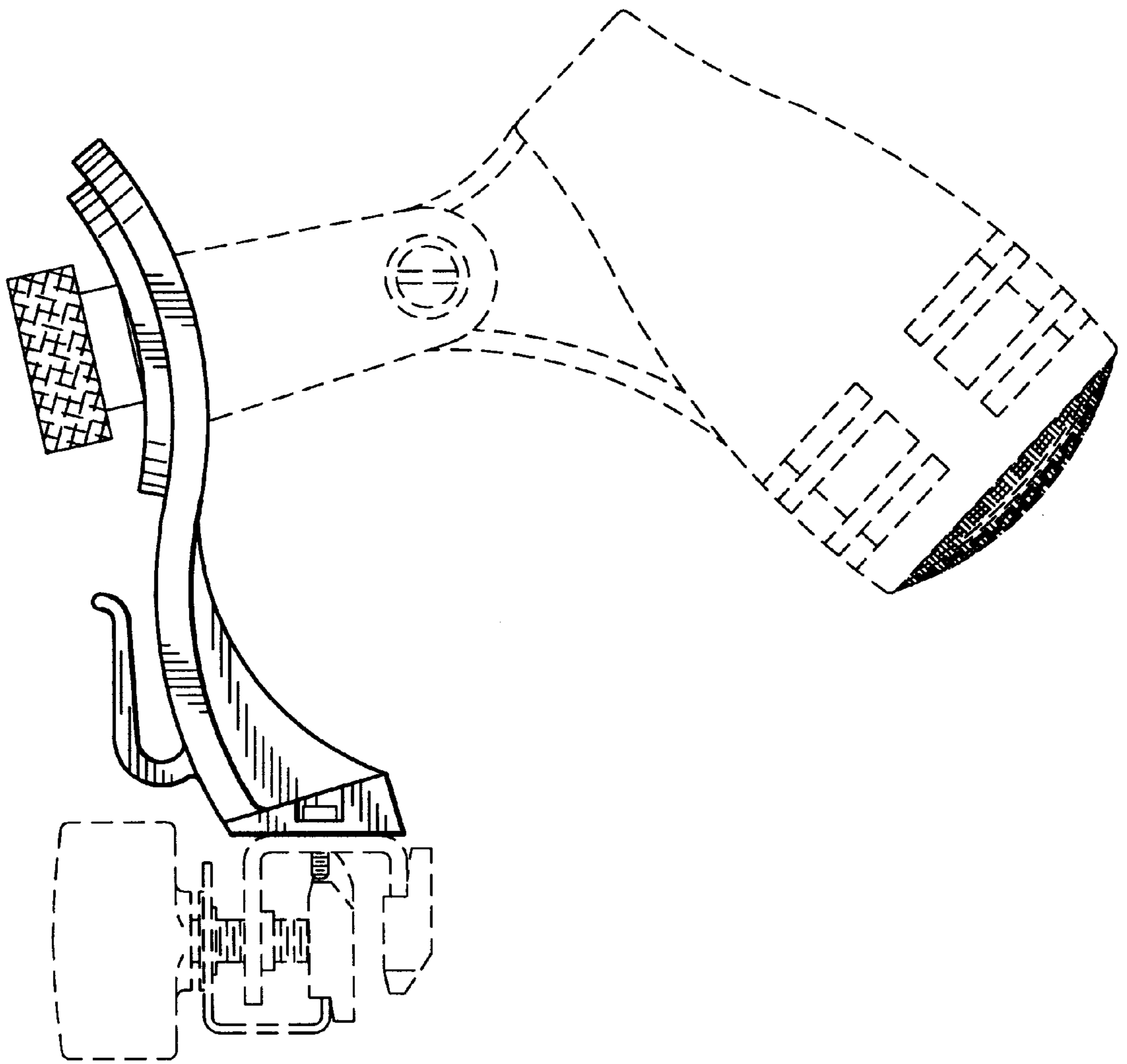


FIG. 8