



US00D438860S

(12) **United States Design Patent**  
**Darbut et al.**

(10) **Patent No.:** **US D438,860 S**

(45) **Date of Patent:** **\*\* Mar. 13, 2001**

(54) **MINIATURE MICROPHONE HOUSING AND SWITCH**

(75) Inventors: **Alexander L. Darbut**, Edina; **Gerald D. Richels**, Blaine; **Jean Daevettila**, St. Paul, all of MN (US)

(73) Assignee: **Resistance Technology, Inc.**, Arden Hills, MN (US)

(\*\*) Term: **14 Years**

(21) Appl. No.: **29/120,266**

(22) Filed: **Mar. 16, 2000**

(51) **LOC (7) Cl.** ..... **14-01**

(52) **U.S. Cl.** ..... **D14/226**

(58) **Field of Search** ..... D14/225-229;  
181/158, 242; 381/26, 92, 95, 122, 369

(56) **References Cited**

**U.S. PATENT DOCUMENTS**

D. 186,442	*	10/1959	Oules	.....	D14/226
D. 414,493	*	9/1999	Jiann-Young	.....	D14/225
D. 416,912	*	11/1999	Hsieh	.....	D14/225
2,131,593	*	9/1938	Marshall	.....	D14/227 X
2,540,873	*	2/1951	Florman	.....	181/242

\* cited by examiner

*Primary Examiner*—Nanda Bondade  
(74) *Attorney, Agent, or Firm*—Kinney & Lange, P.A.

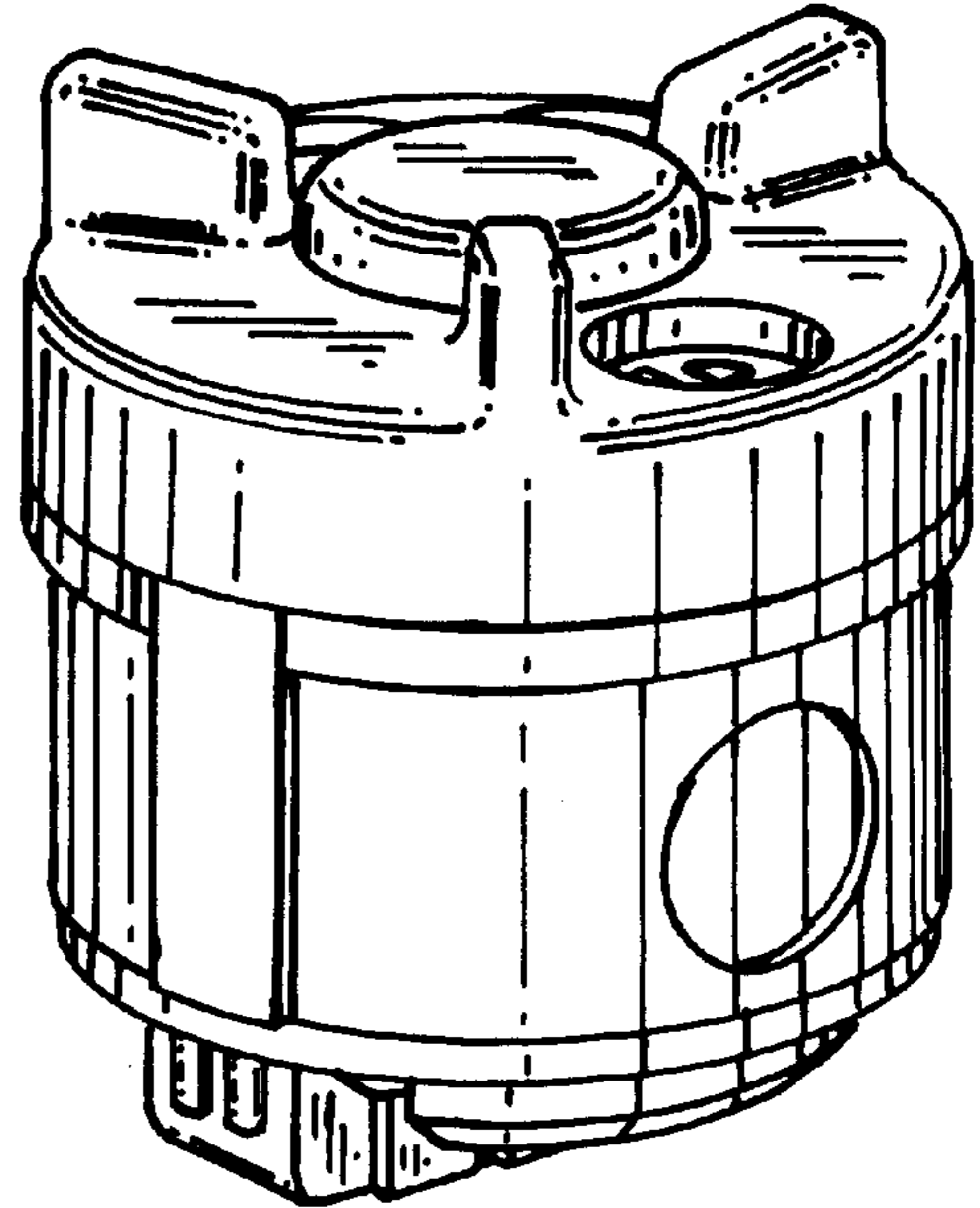
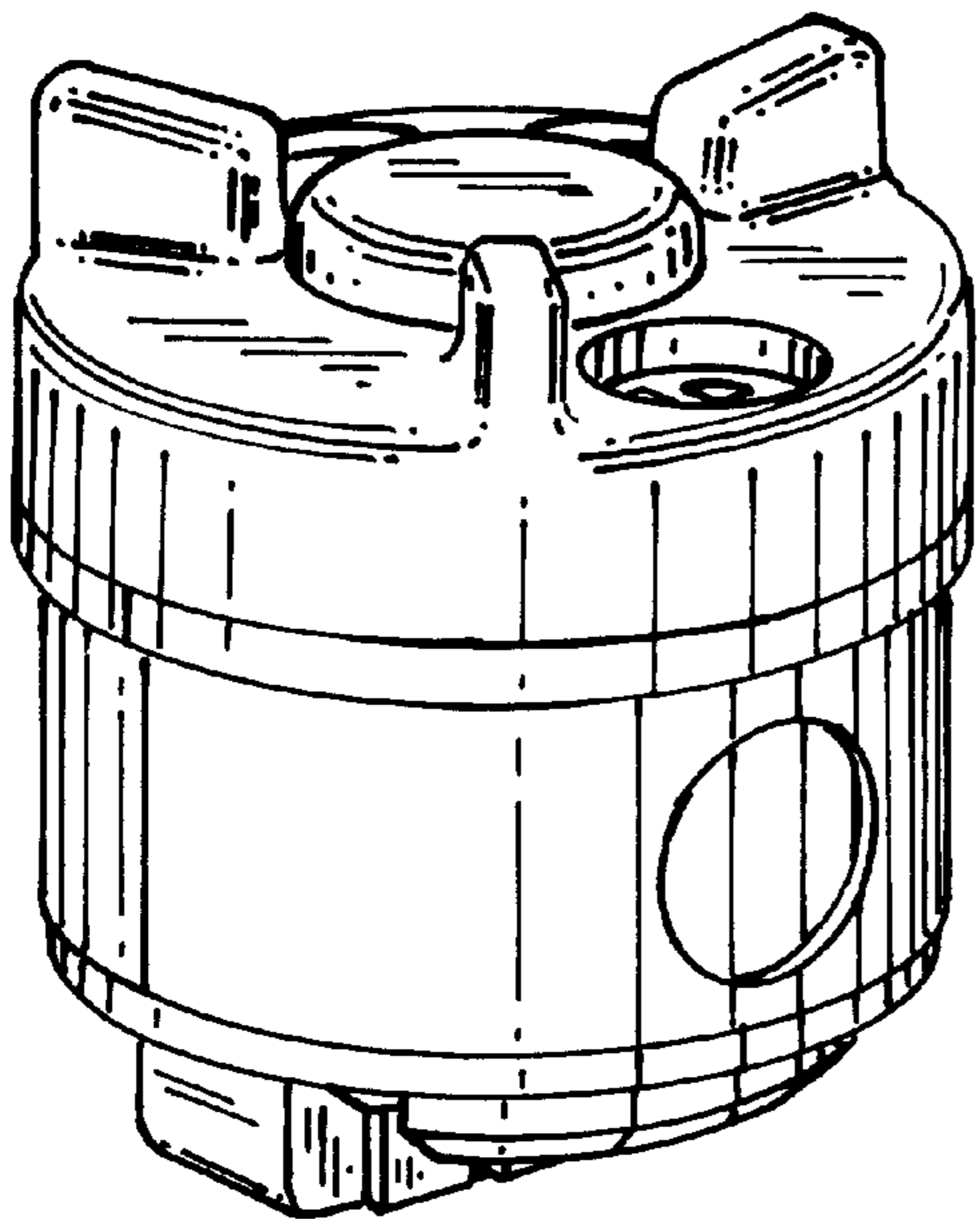
(57) **CLAIM**

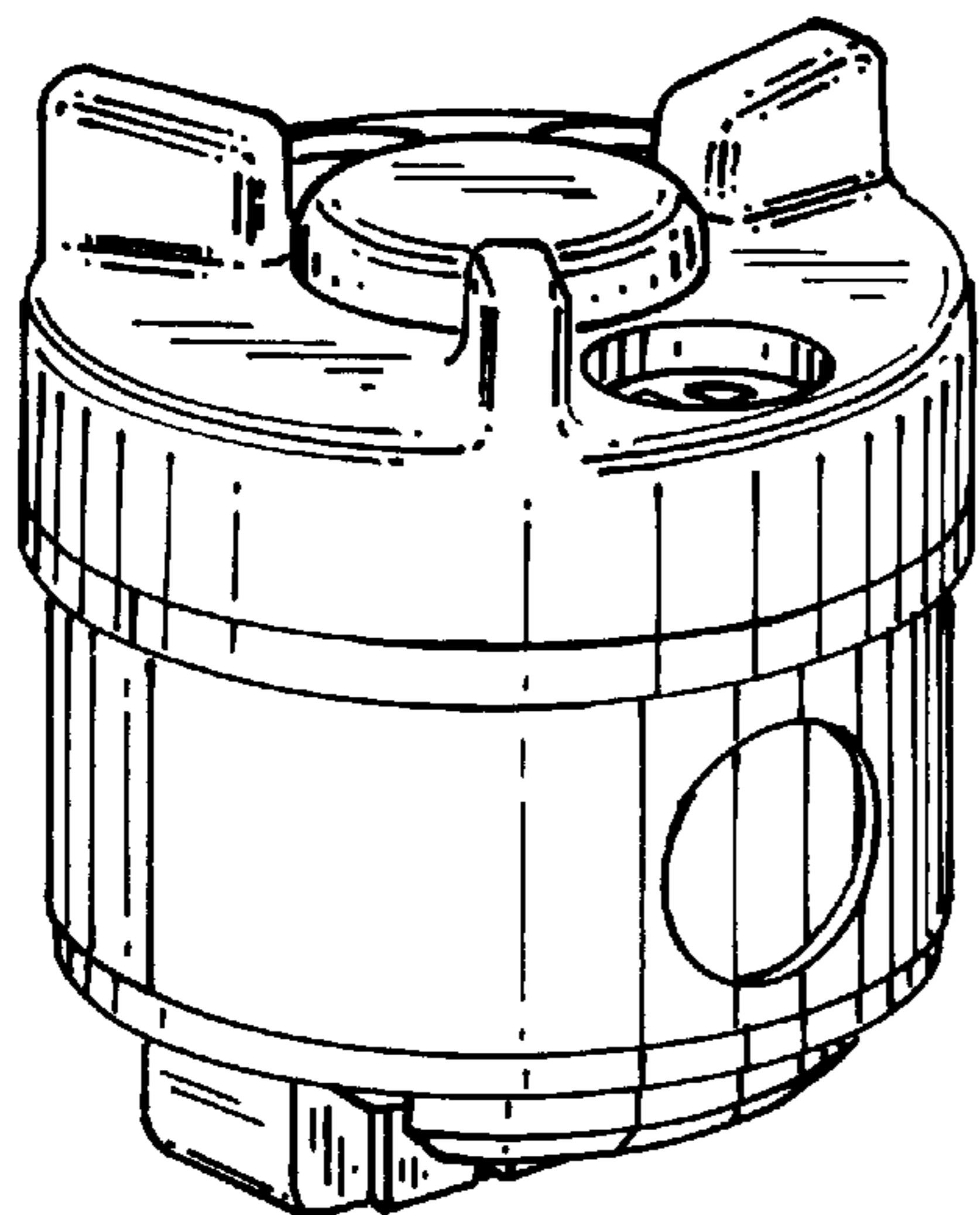
The ornamental design for a miniature microphone housing and switch, as shown and described.

**DESCRIPTION**

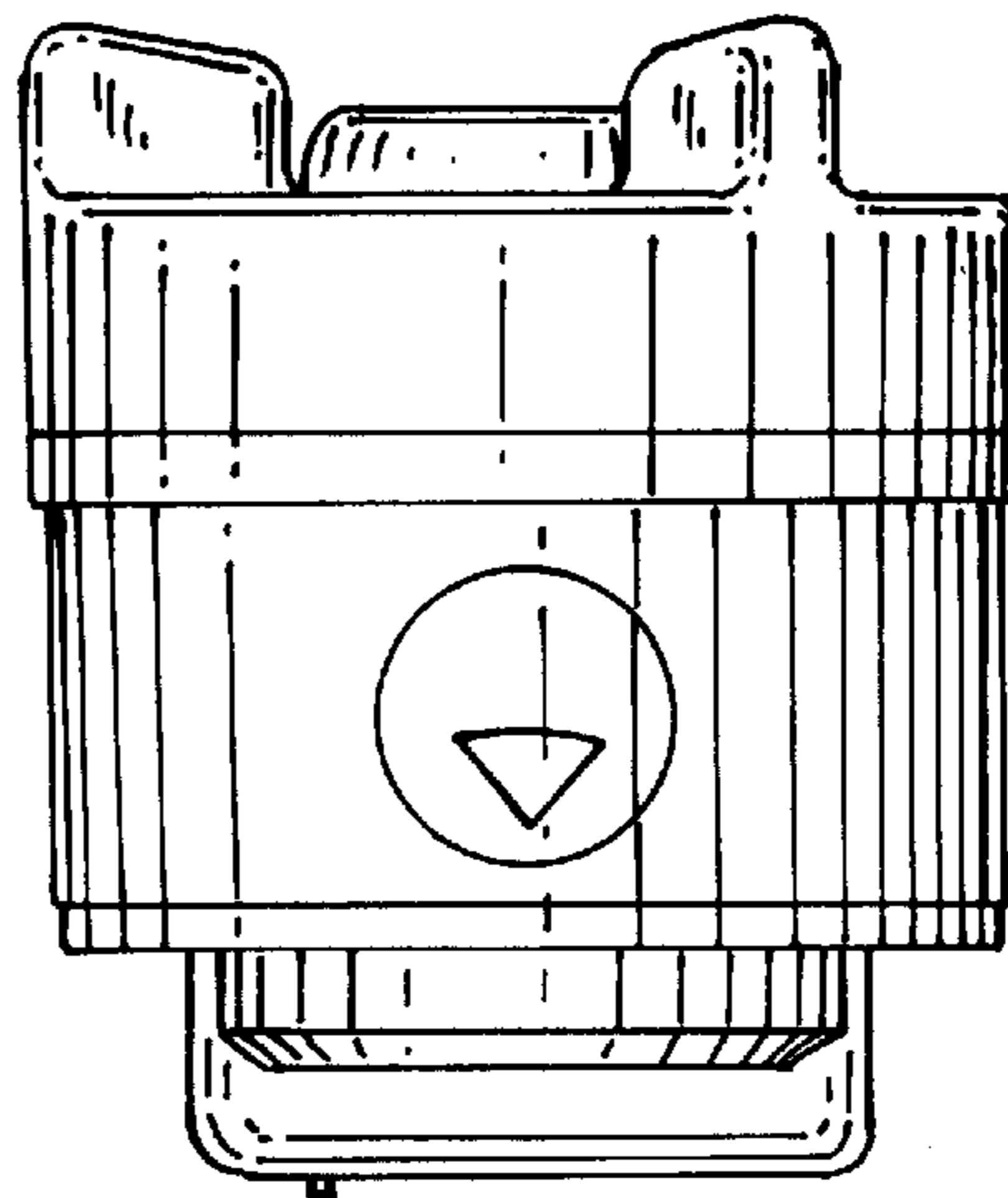
FIG. 1 is a perspective view of a miniature microphone housing and switch showing our new design;  
FIG. 2 is a right side view thereof;  
FIG. 3 is a front view thereof;  
FIG. 4 is a left side view thereof;  
FIG. 5 is a rear view thereof;  
FIG. 6 is a top view thereof;  
FIG. 7 is a bottom view thereof;  
FIG. 8 is a perspective view of an alternative embodiment;  
FIG. 9 is a right side view of the embodiment of FIG. 8;  
FIG. 10 is a front view of the embodiment of FIG. 8;  
FIG. 11 is a left side view of the embodiment of FIG. 8;  
FIG. 12 is a rear view of the embodiment of FIG. 8;  
FIG. 13 is a top view of the embodiment of FIG. 8; and,  
FIG. 14 is a bottom view of the embodiment of FIG. 8.

**1 Claim, 4 Drawing Sheets**

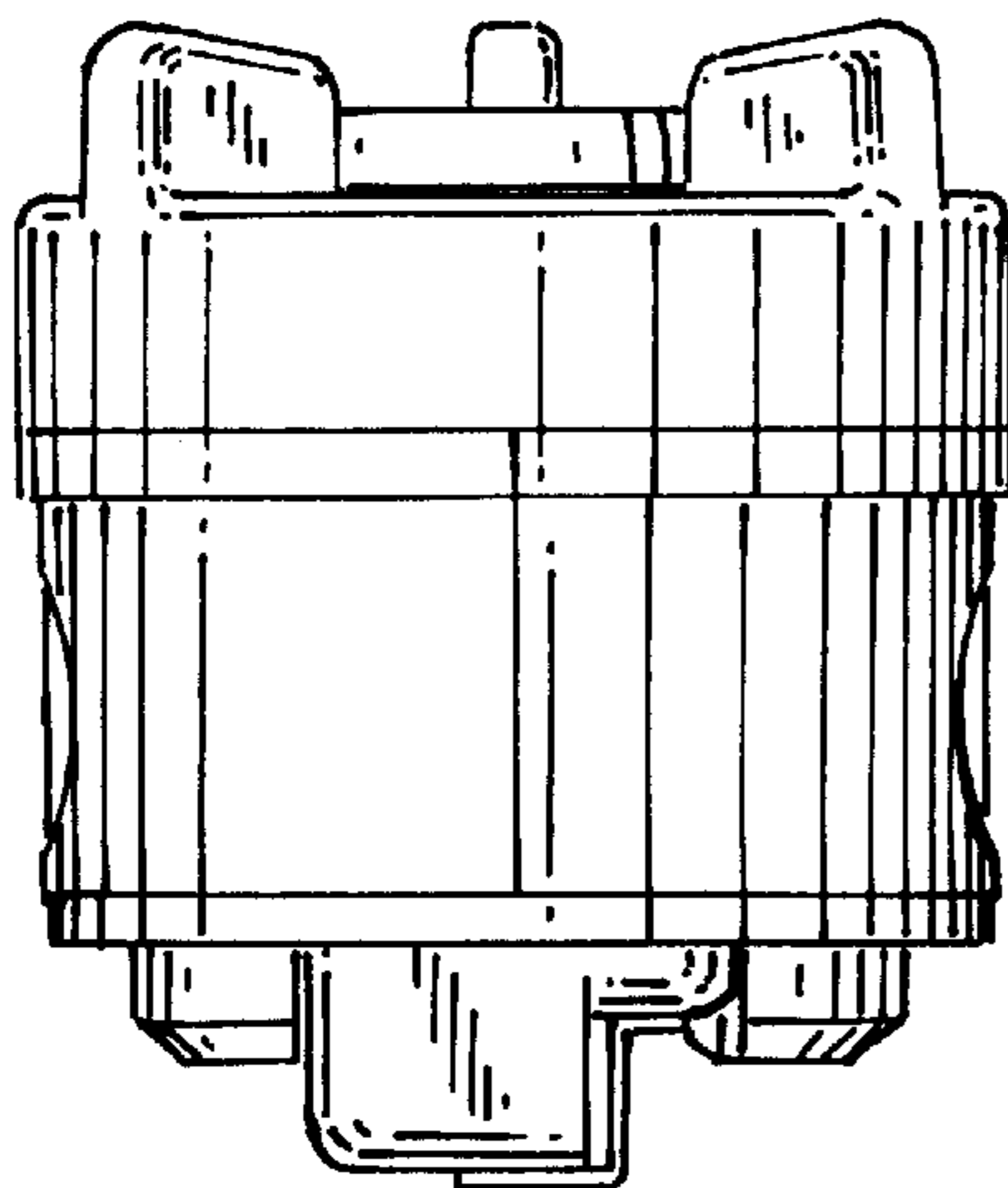




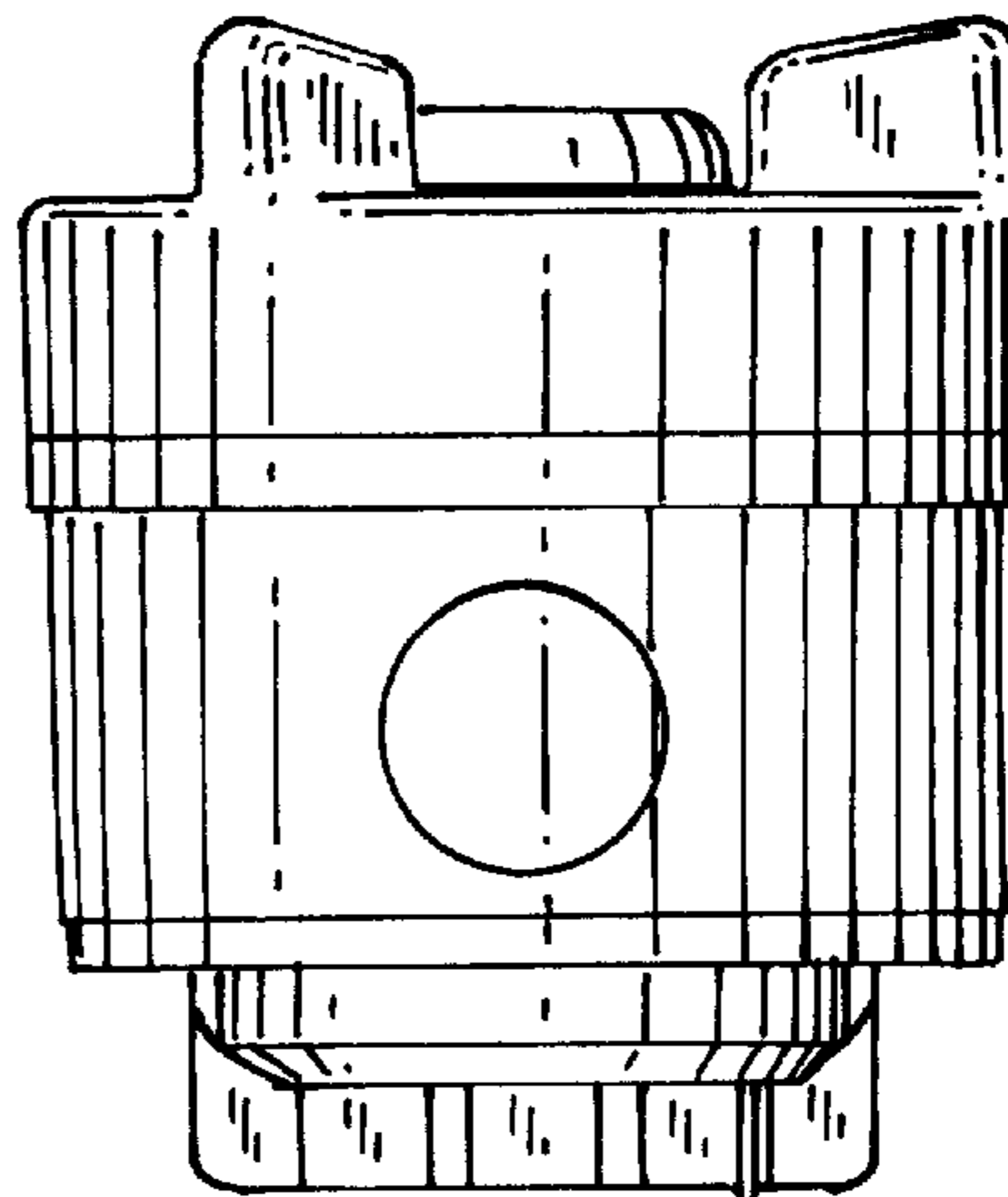
*Fig. 1*



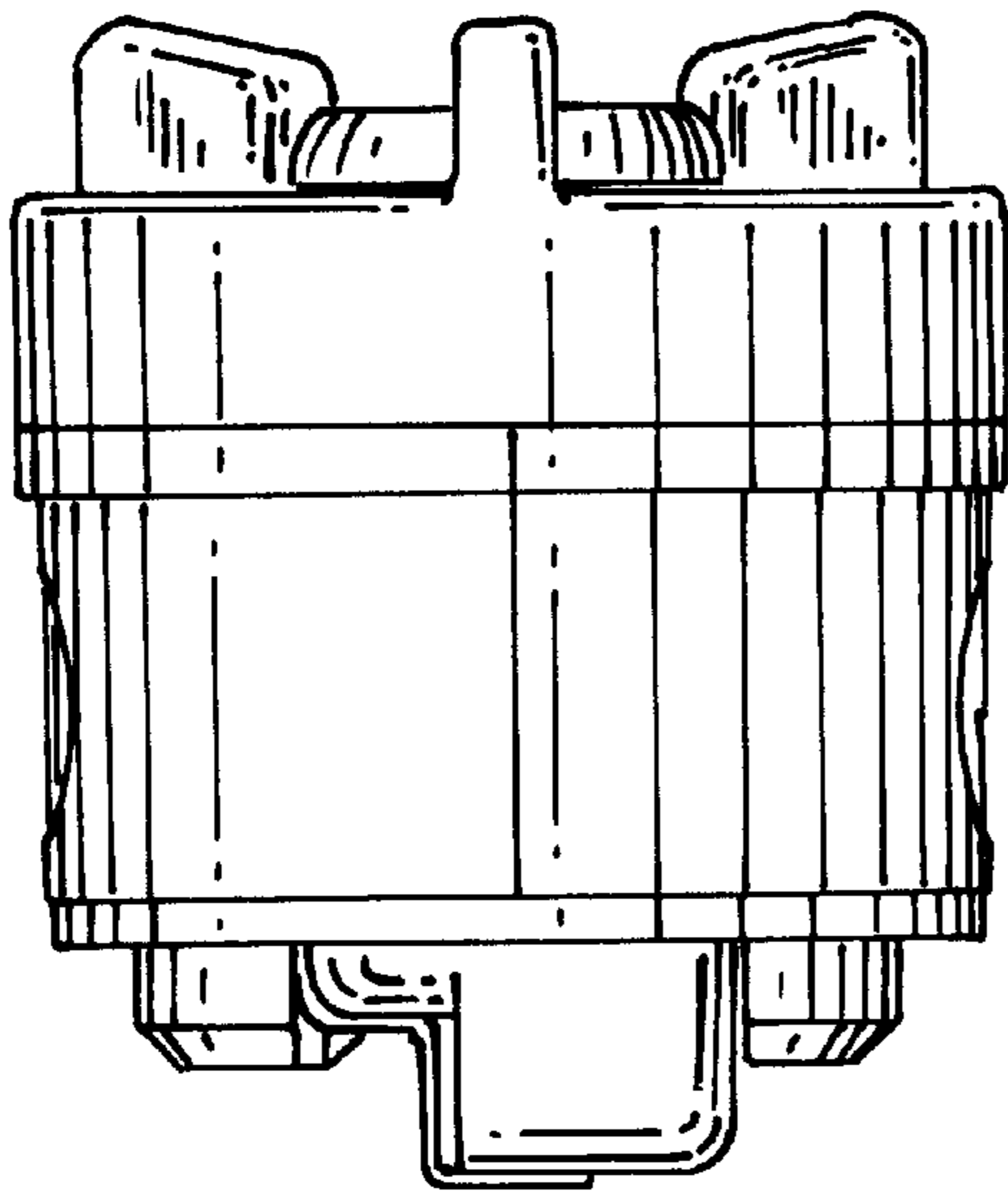
*Fig. 2*



*Fig. 3*

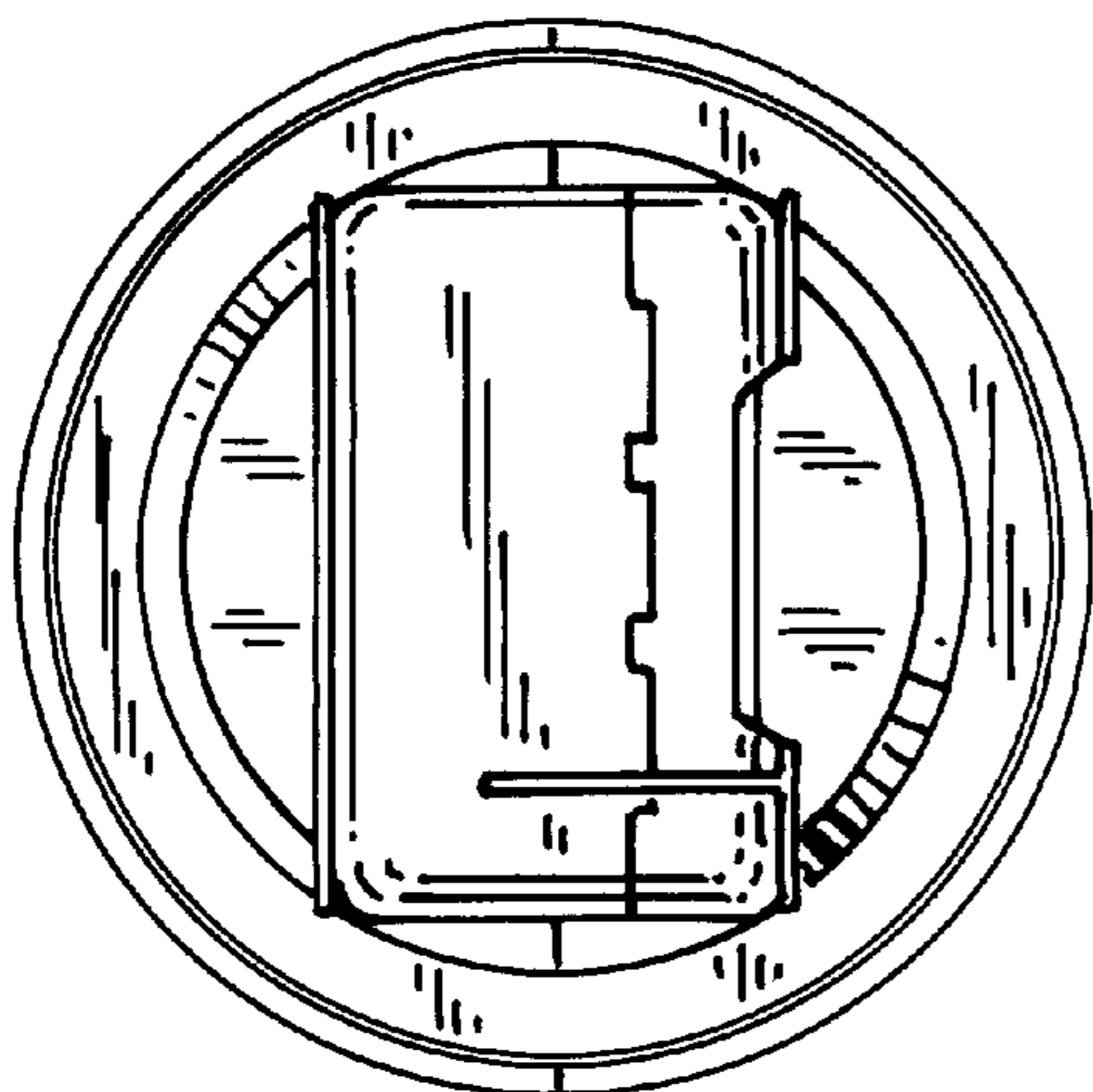
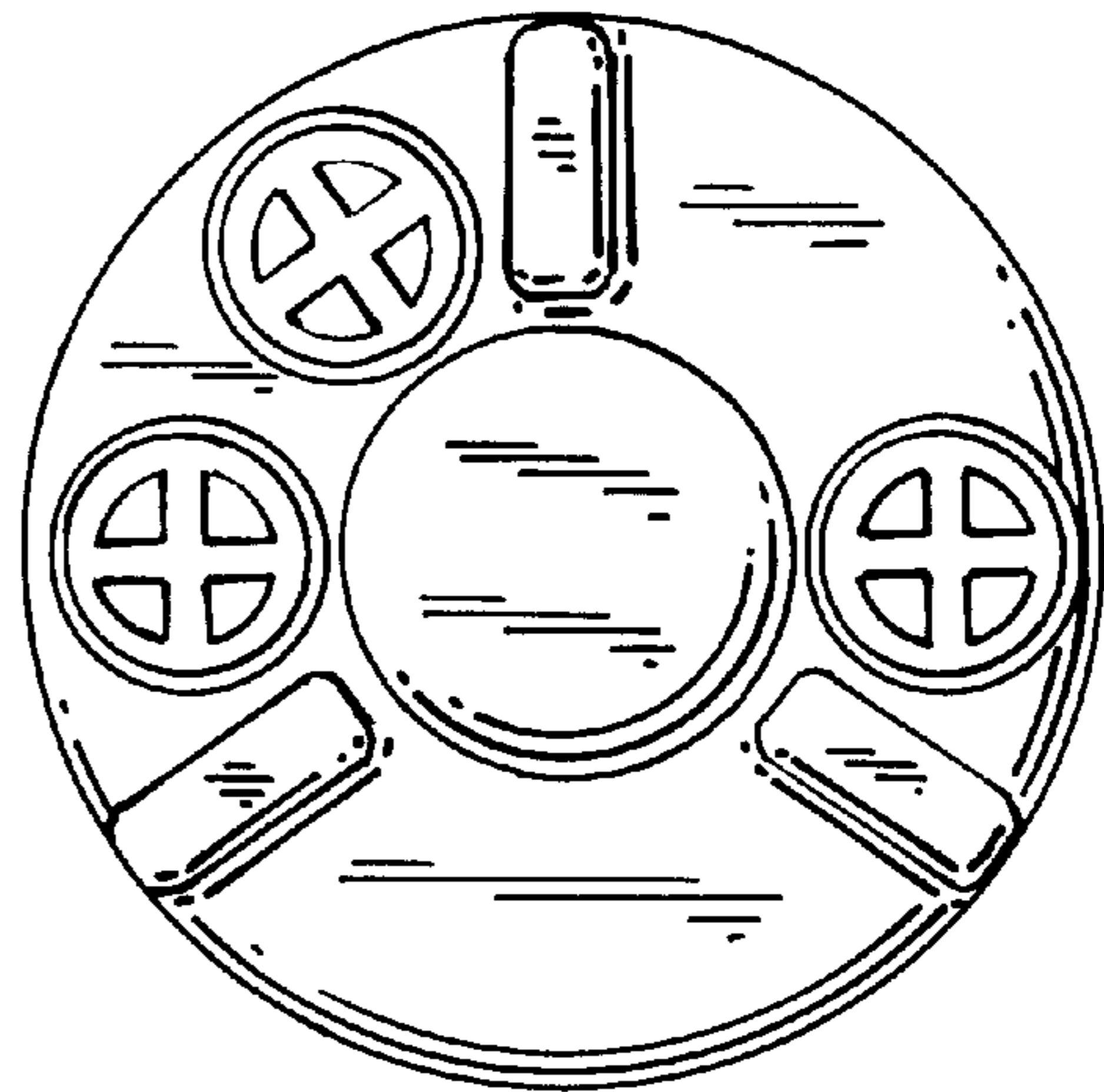


*Fig. 4*

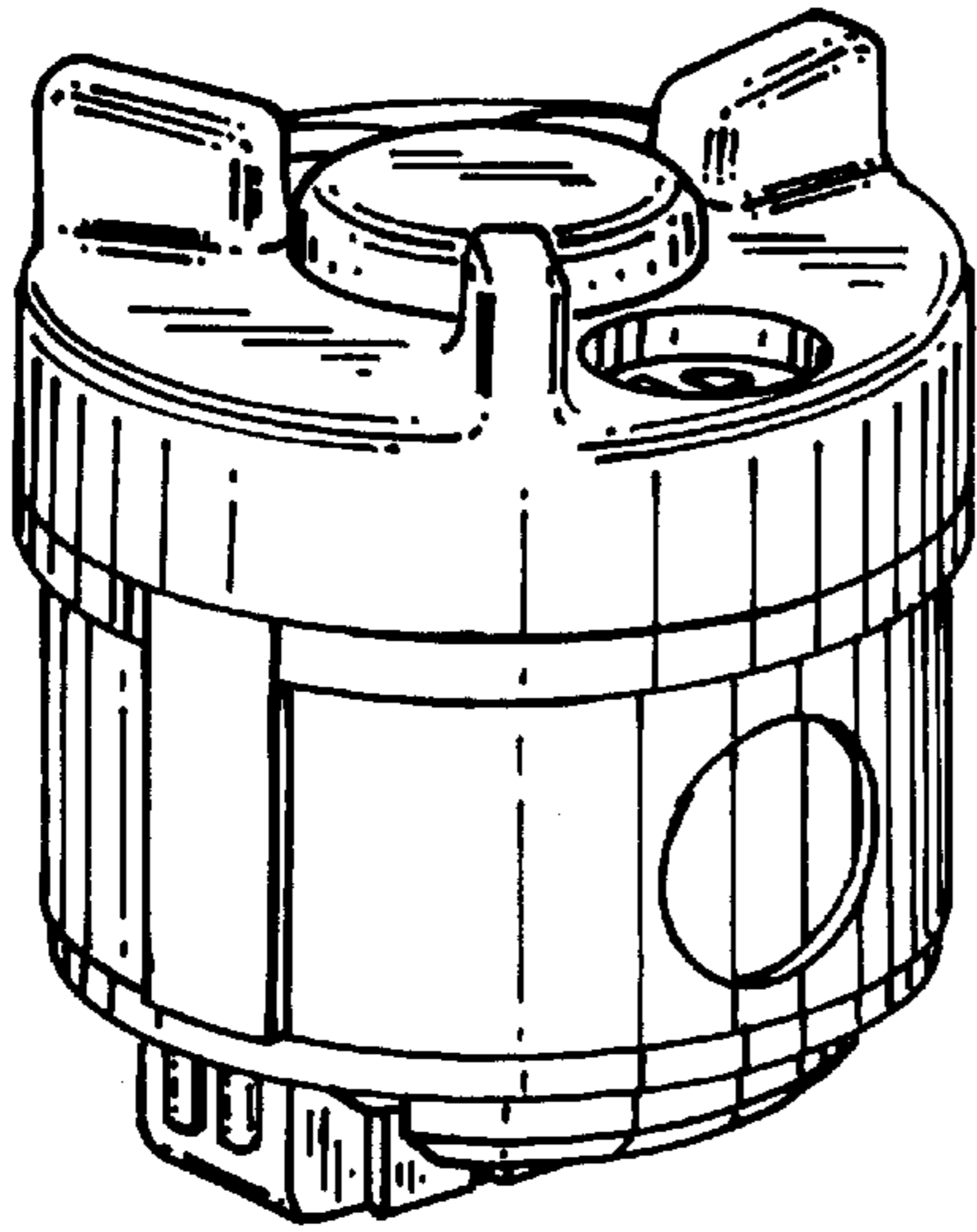


*Fig. 5*

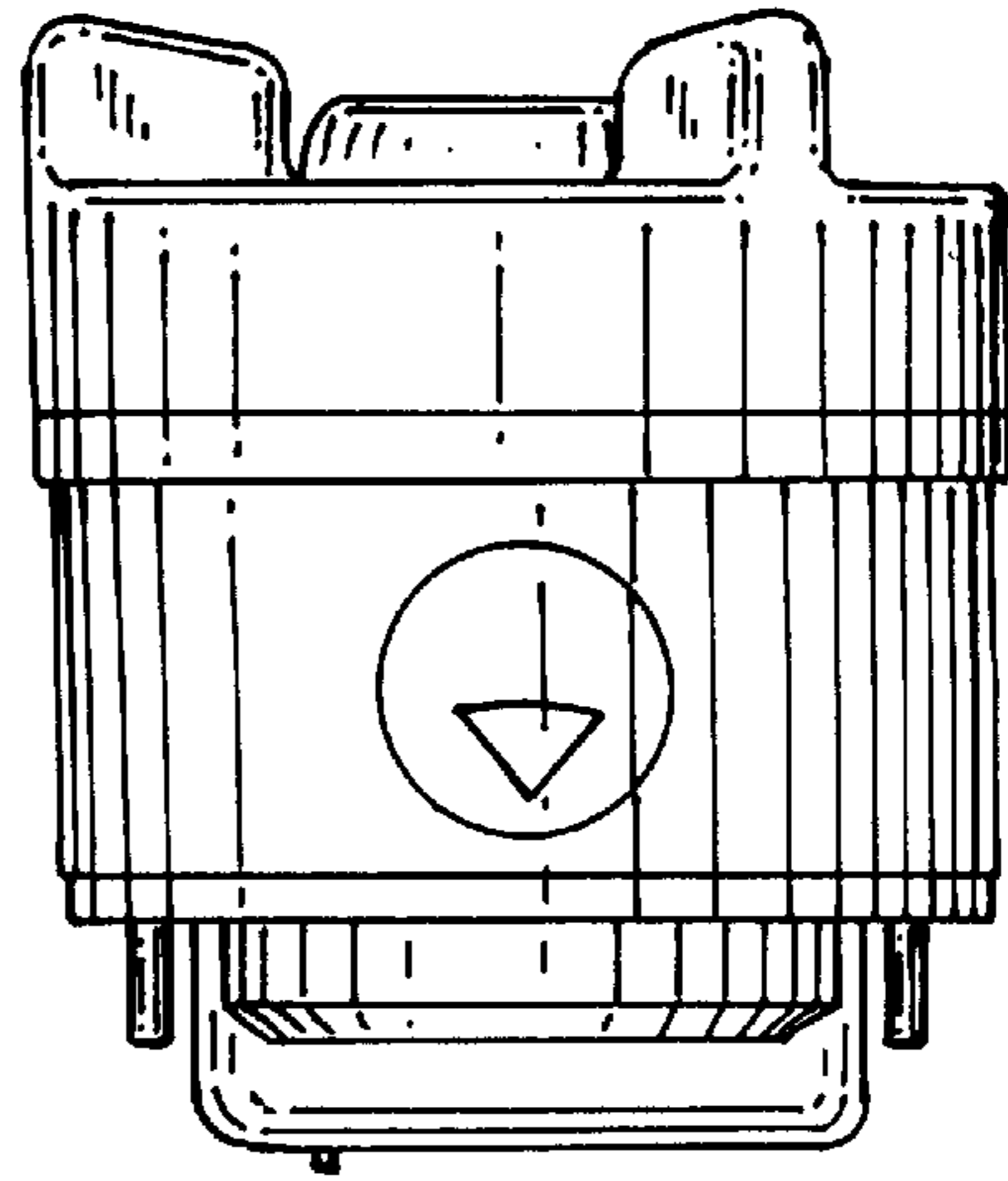
*Fig. 6*



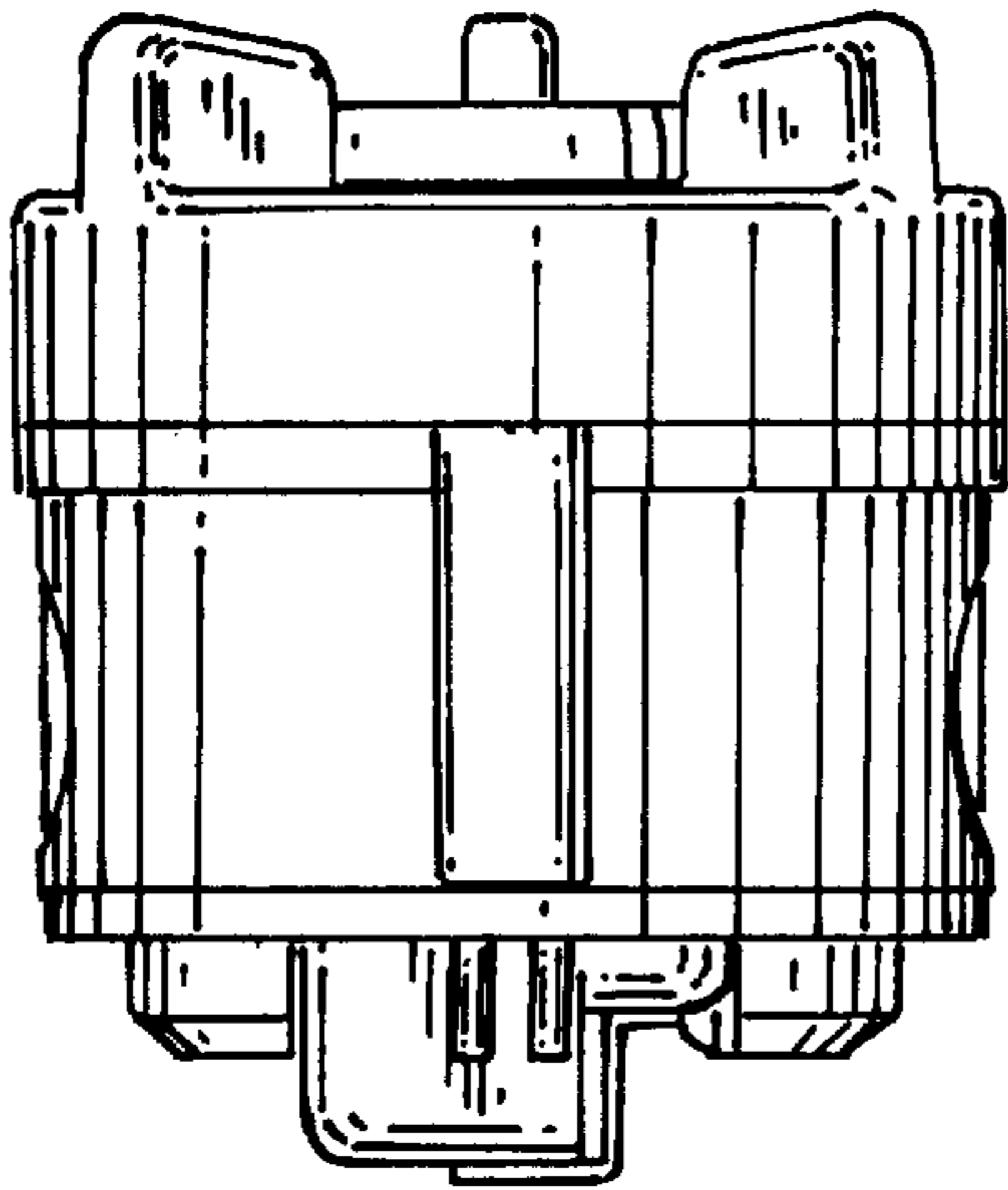
*Fig. 7*



*Fig. 8*

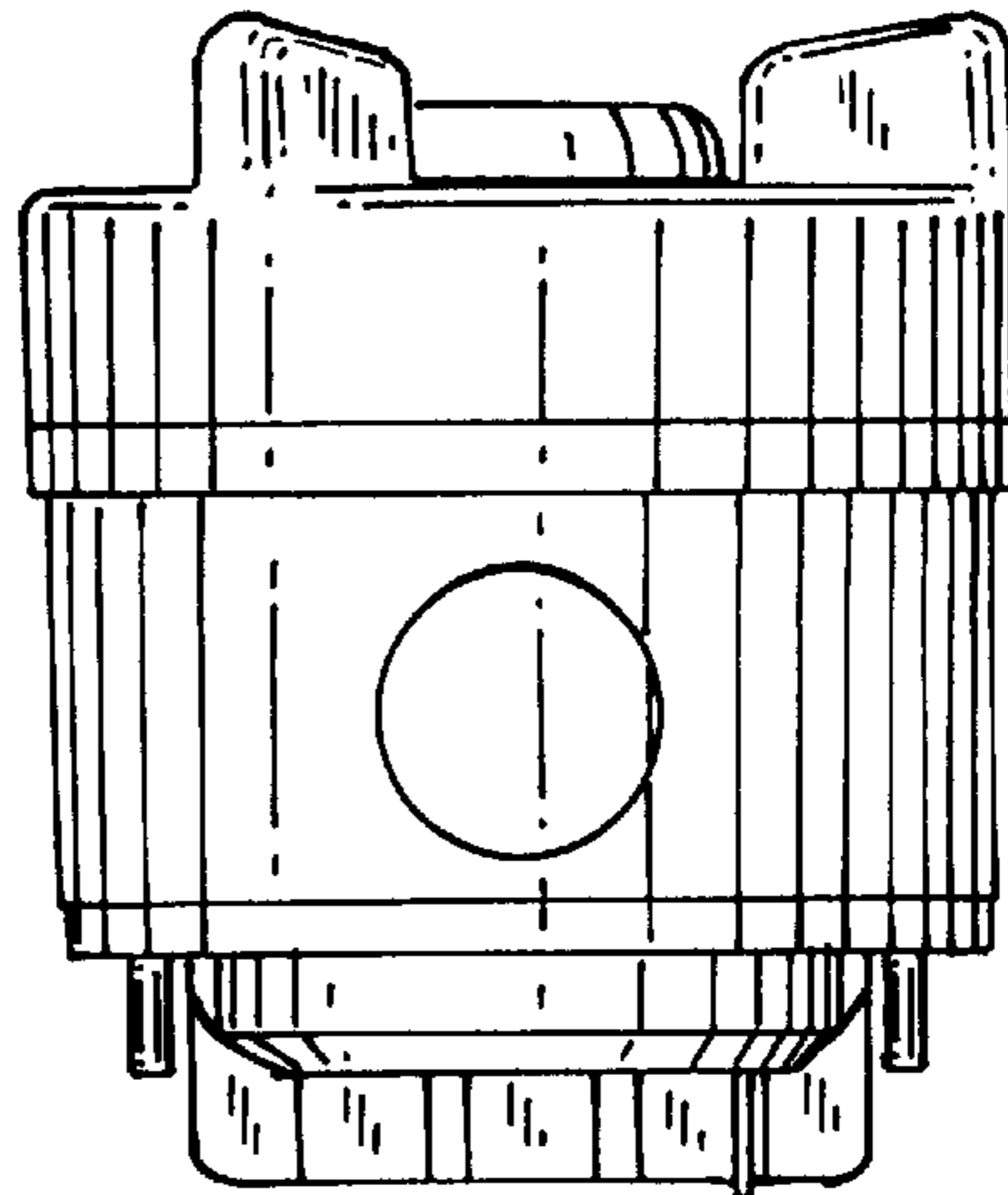


*Fig. 9*

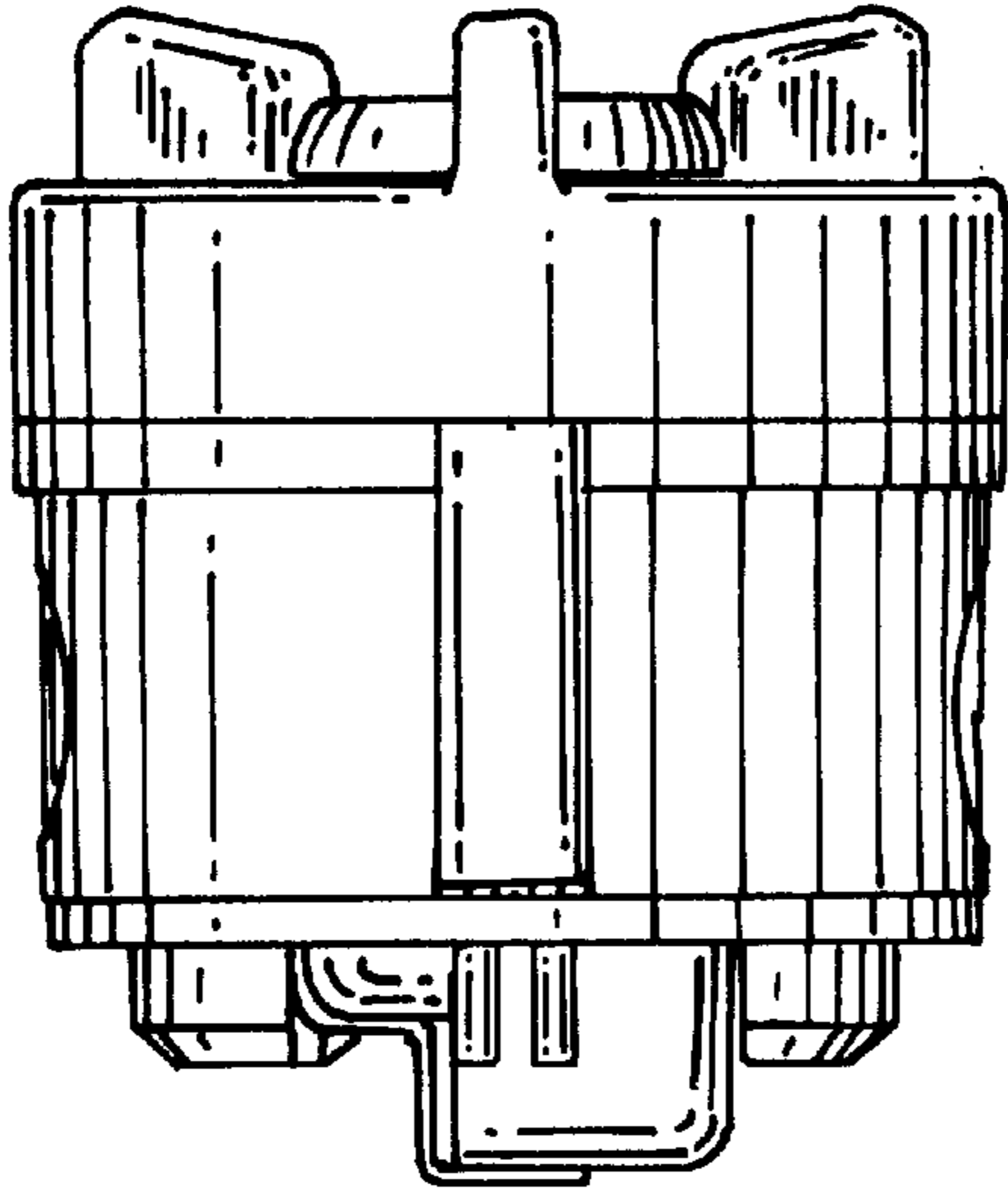


*Fig. 10*

*Fig. 11*

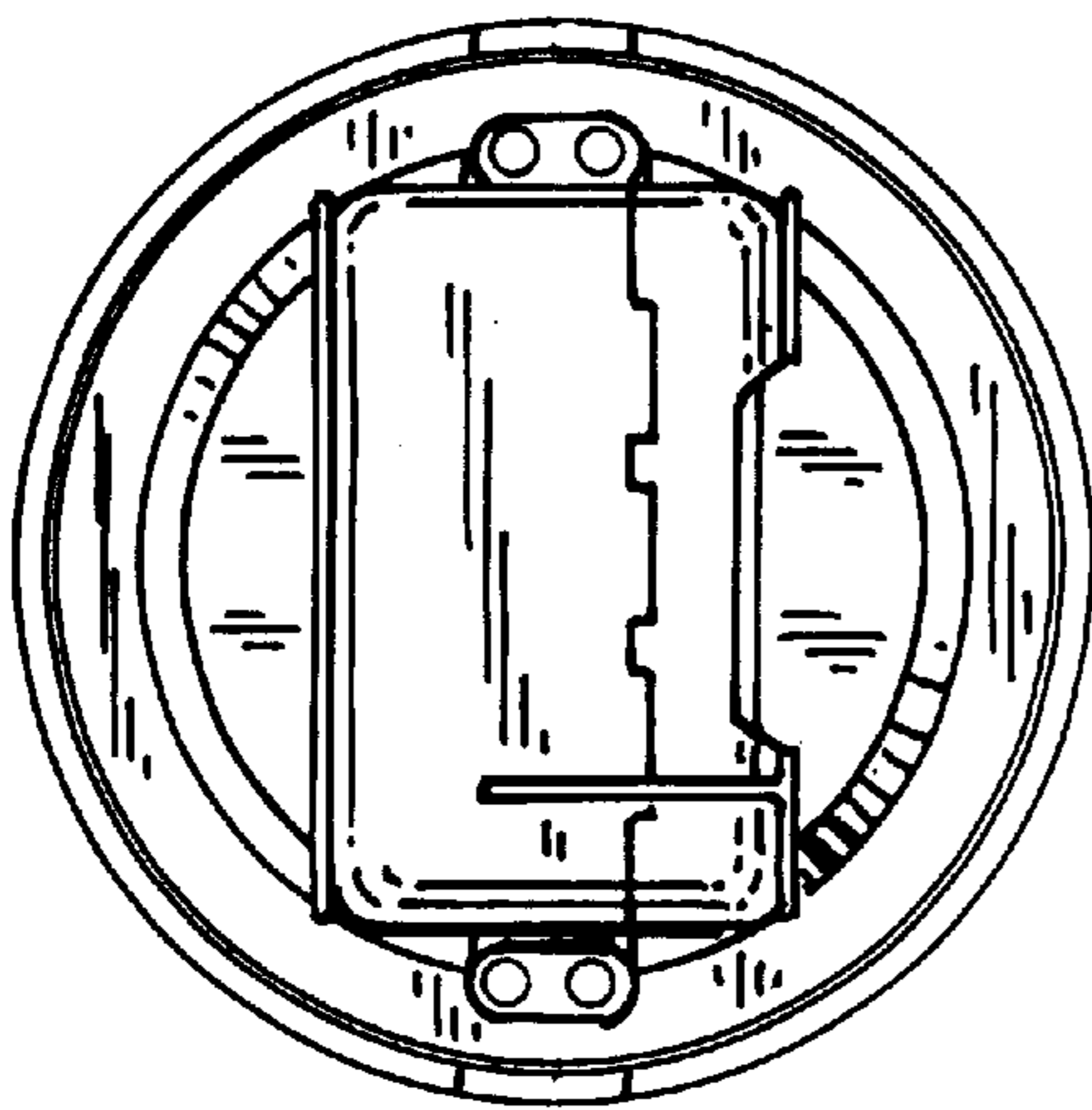
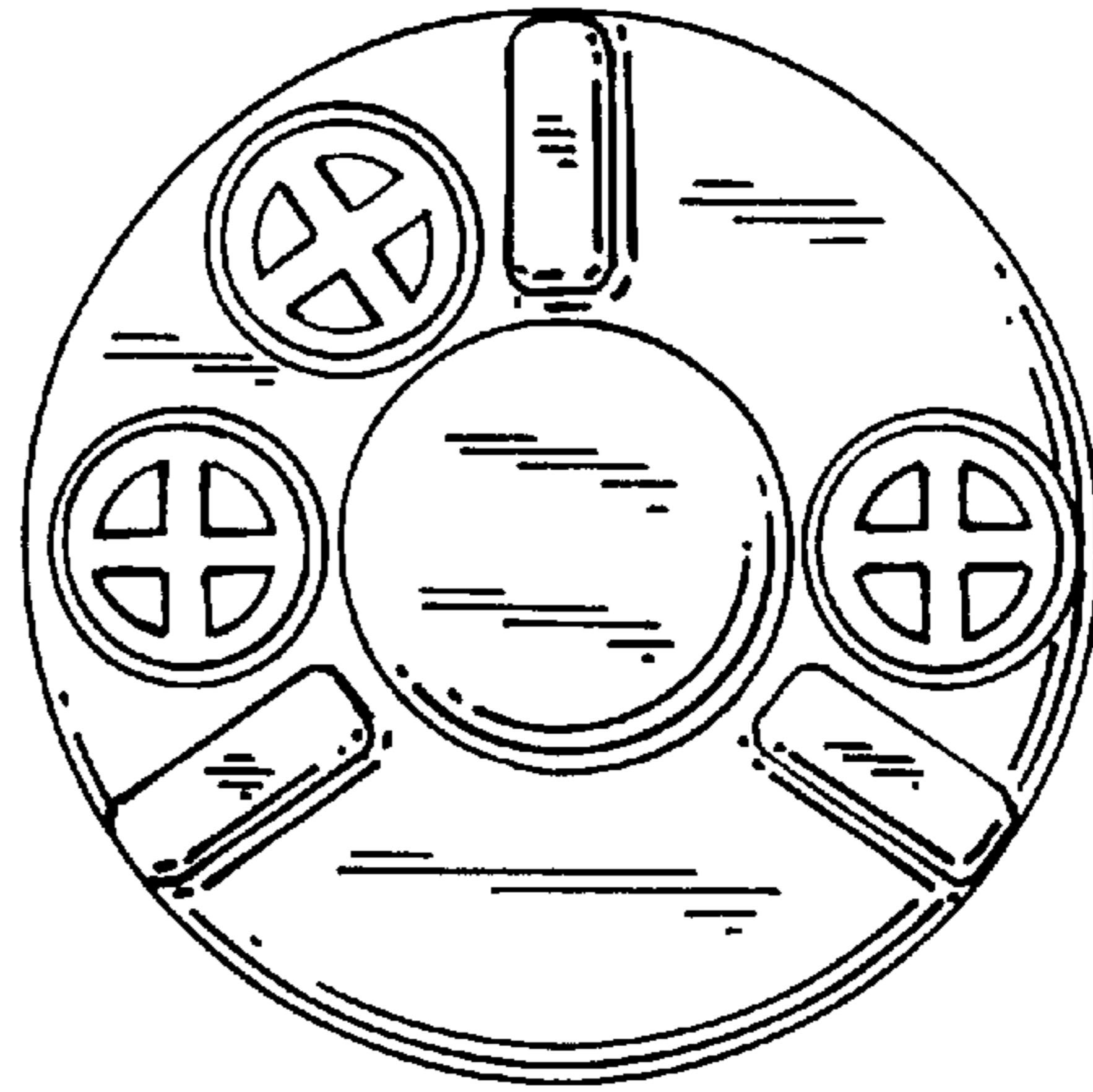






*Fig. 12*

*Fig. 13*



*Fig. 14*