



US00D438858S

(12) **United States Design Patent**
del Castillo

(10) **Patent No.:** **US D438,858 S**

(45) **Date of Patent:** **** Mar. 13, 2001**

(54) **AUDIO EQUIPMENT**

(75) **Inventor:** **Luis del Castillo**, Boca Raton, FL (US)

(73) **Assignee:** **Security Associates International, Inc.**, Boca Raton, FL (US)

(**) **Term:** **14 Years**

(21) **Appl. No.:** **29/109,137**

(22) **Filed:** **Aug. 10, 1999**

(51) **LOC (7) Cl.** **14-03**

(52) **U.S. Cl.** **D14/188; D14/217**

(58) **Field of Search** D6/502, 601; D9/430;
D14/188, 189, 193-198; D24/101, 102;
D25/151, 113; D21/484, 736-746, 505;
206/216, 494; 108/161; 229/110-115; 405/284-287;
455/344, 347-351; 446/118, 122, 85

(56) **References Cited**

U.S. PATENT DOCUMENTS

- D. 332,261 * 1/1993 Mischenko et al. D14/188 X
- D. 347,004 * 5/1994 Beaumont et al. D14/188 X
- D. 352,191 * 11/1994 Zorian D9/430
- D. 356,033 * 3/1995 Horvat et al. D9/430
- D. 356,705 * 3/1995 Aston D6/502
- D. 411,261 * 6/1999 Movsesian D21/484
- 1,598,235 * 8/1926 Barbieri 229/110
- 1,653,914 * 12/1927 Keppler 229/110

- 2,301,927 * 11/1942 Brogden 229/110
- 2,535,149 * 12/1950 McBride 206/216
- 2,882,689 * 4/1959 Huch et al. 405/284
- 3,188,693 * 6/1965 Troyano 108/161
- 3,357,544 * 12/1967 Gingher 229/115 X
- 4,183,167 * 1/1980 Jatich 446/118
- 4,758,195 * 7/1988 Walsh 446/85
- 5,362,045 * 11/1994 Hammett et al. 273/435

* cited by examiner

Primary Examiner—Nanda Bondade

(74) *Attorney, Agent, or Firm*—Malin, Haley & DiMaggio, P.A.

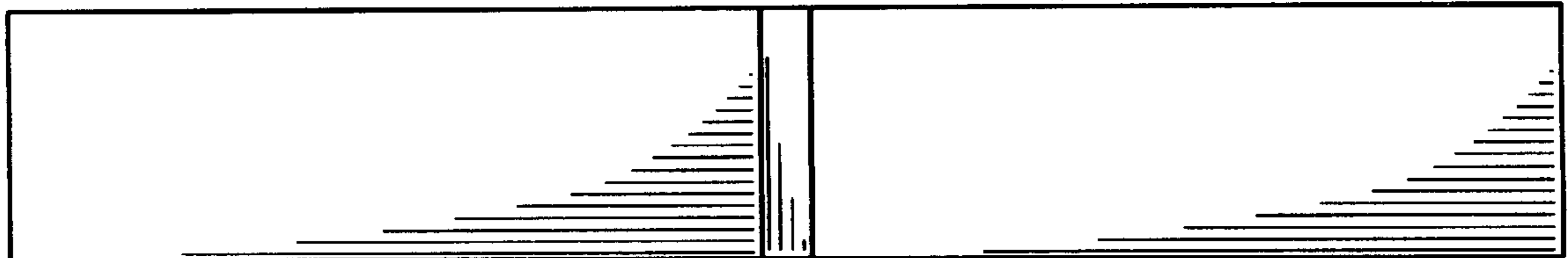
(57) **CLAIM**

The ornamental design for audio equipment, as shown and described.

DESCRIPTION

To configure the shape of the design, the invention can consist of a multiple piece design or a one-piece design. FIG. 1 is a front elevational view of the audio equipment showing the new design; FIG. 2 is a top view thereof, the bottom plan being identical; FIG. 3 is a rear elevational view thereof; FIG. 4 is a side view thereof, the remaining sides being identical; and, FIG. 5 is a perspective view thereof.

1 Claim, 2 Drawing Sheets



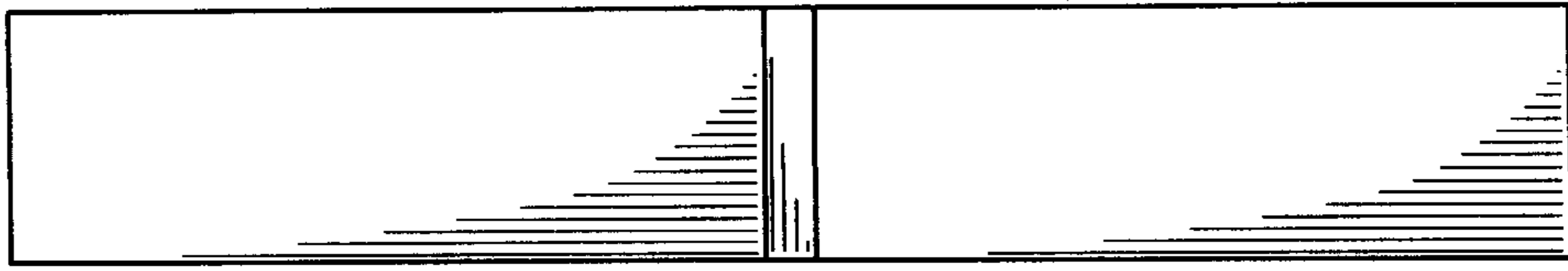


FIG. 1

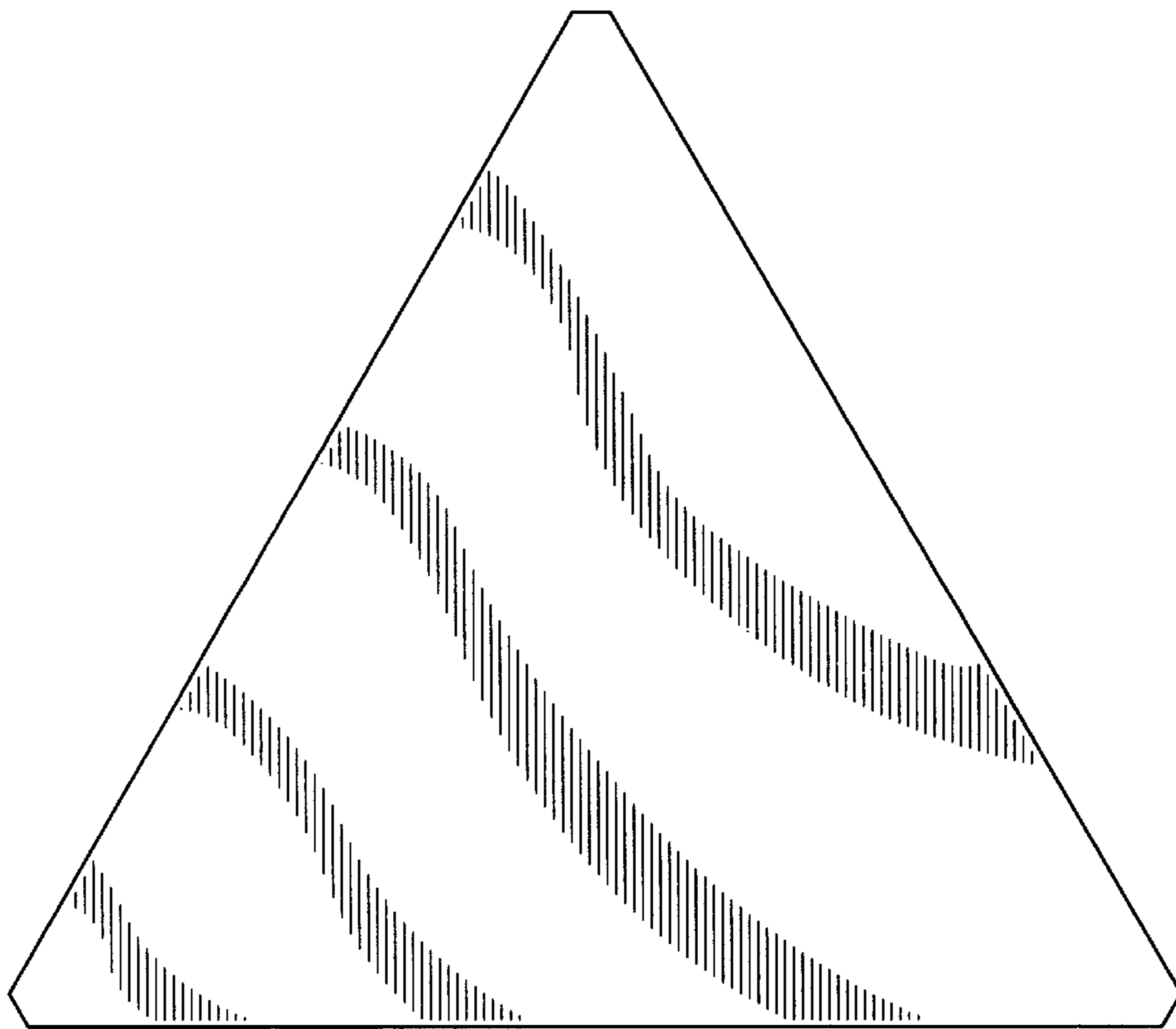


FIG. 2

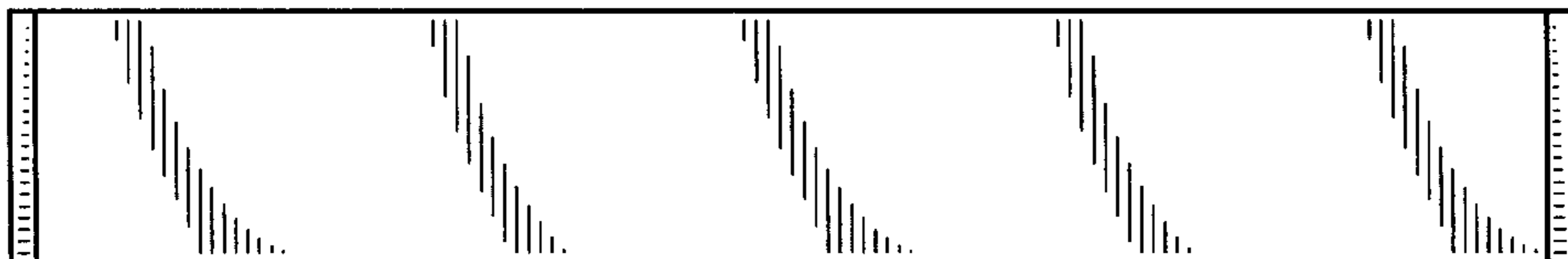


FIG. 3

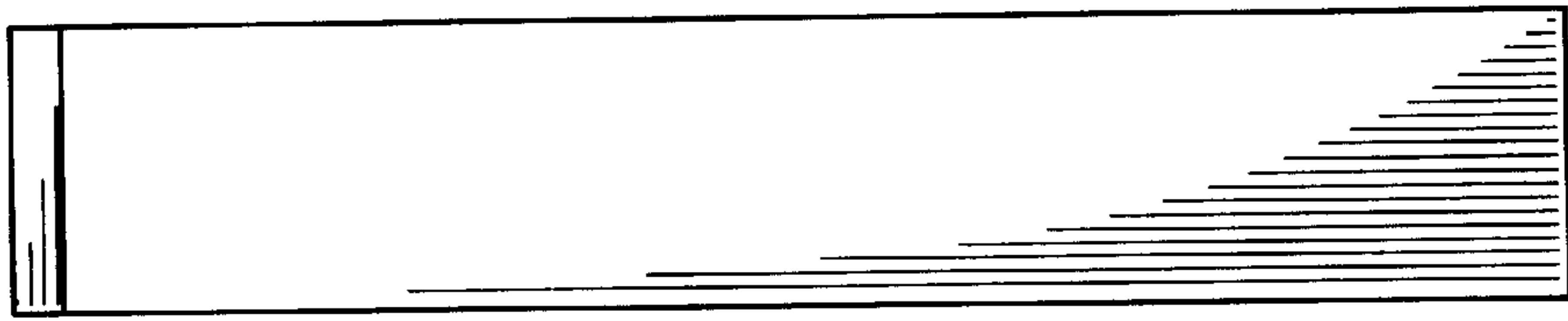


FIG. 4

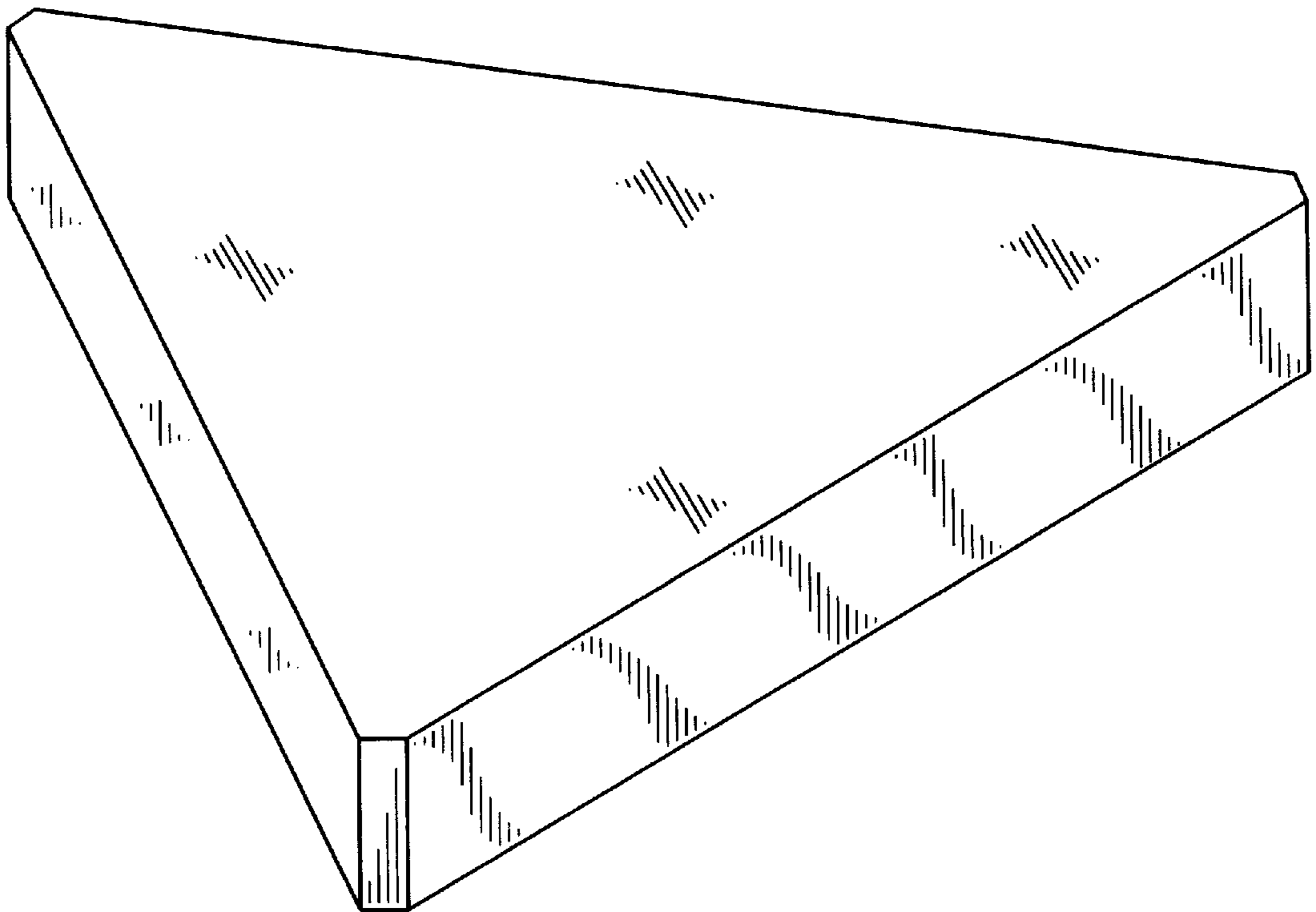


FIG. 5