



US00D438856S

(12) **United States Design Patent**
Uehara

(10) **Patent No.:** **US D438,856 S**

(45) **Date of Patent:** **** Mar. 13, 2001**

(54) **AUDIO VISUAL RECORDER/PLAYER**

(75) Inventor: **Mitsuhiro Uehara**, Tokyo (JP)

(73) Assignee: **Sony Corporation**, Tokyo (JP)

(**) Term: **14 Years**

(21) Appl. No.: **29/125,635**

(22) Filed: **Jun. 28, 2000**

(51) **LOC (7) Cl.** **14-01**

(52) **U.S. Cl.** **D14/156; D14/136**

(58) **Field of Search** D14/135, 136,
D14/156, 160-163, 165, 167-168; 369/75.1,
75.2, 77.1, 77.2

(56) **References Cited**

U.S. PATENT DOCUMENTS

D. 349,496	*	8/1994	Sato	D14/156
D. 400,528	*	11/1998	Kanatani	D14/156
D. 415,757	*	10/1999	Takahashi et al.	D14/156
D. 416,896	*	11/1999	Ogasawara	D14/156
4,398,281	*	8/1983	Hughes	369/77.1

OTHER PUBLICATIONS

Sony Catalog "Video Equipment 2000", p. 276, Sony, Jan. 2000.

* cited by examiner

Primary Examiner—Nanda Bondade

(74) *Attorney, Agent, or Firm*—Rader, Fishman & Grauer

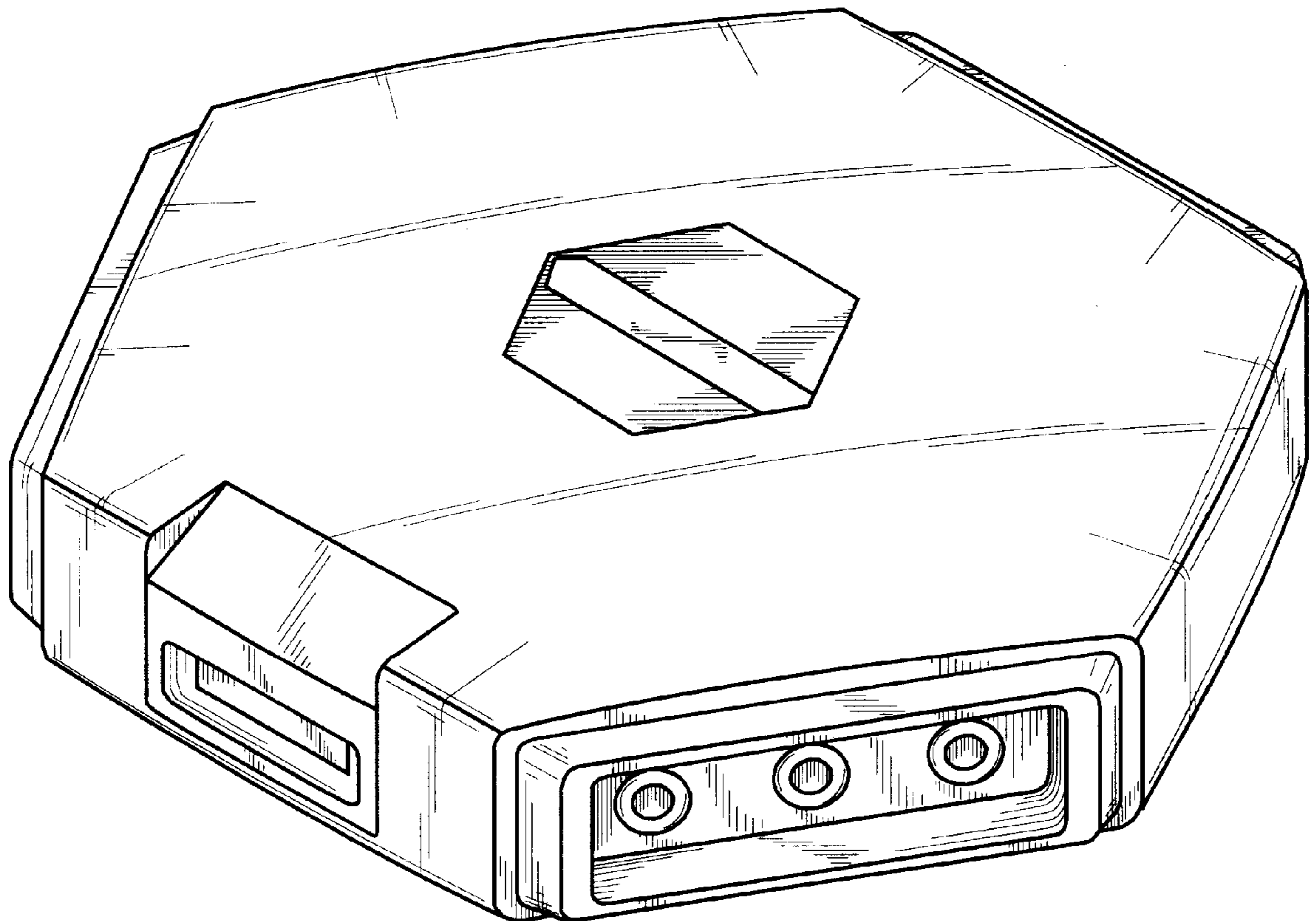
(57) **CLAIM**

The ornamental design for an audio visual recorder/player, as shown and described.

DESCRIPTION

FIG. 1 is a front and top perspective view of an audio visual recorder/player showing my design;
FIG. 2 is a top plan view thereof;
FIG. 3 is a rear elevational view thereof;
FIG. 4 is a left side elevational view thereof;
FIG. 5 is a front elevational view thereof;
FIG. 6 is a bottom plan view thereof; and,
FIG. 7 is a right side elevational view thereof.

1 Claim, 5 Drawing Sheets



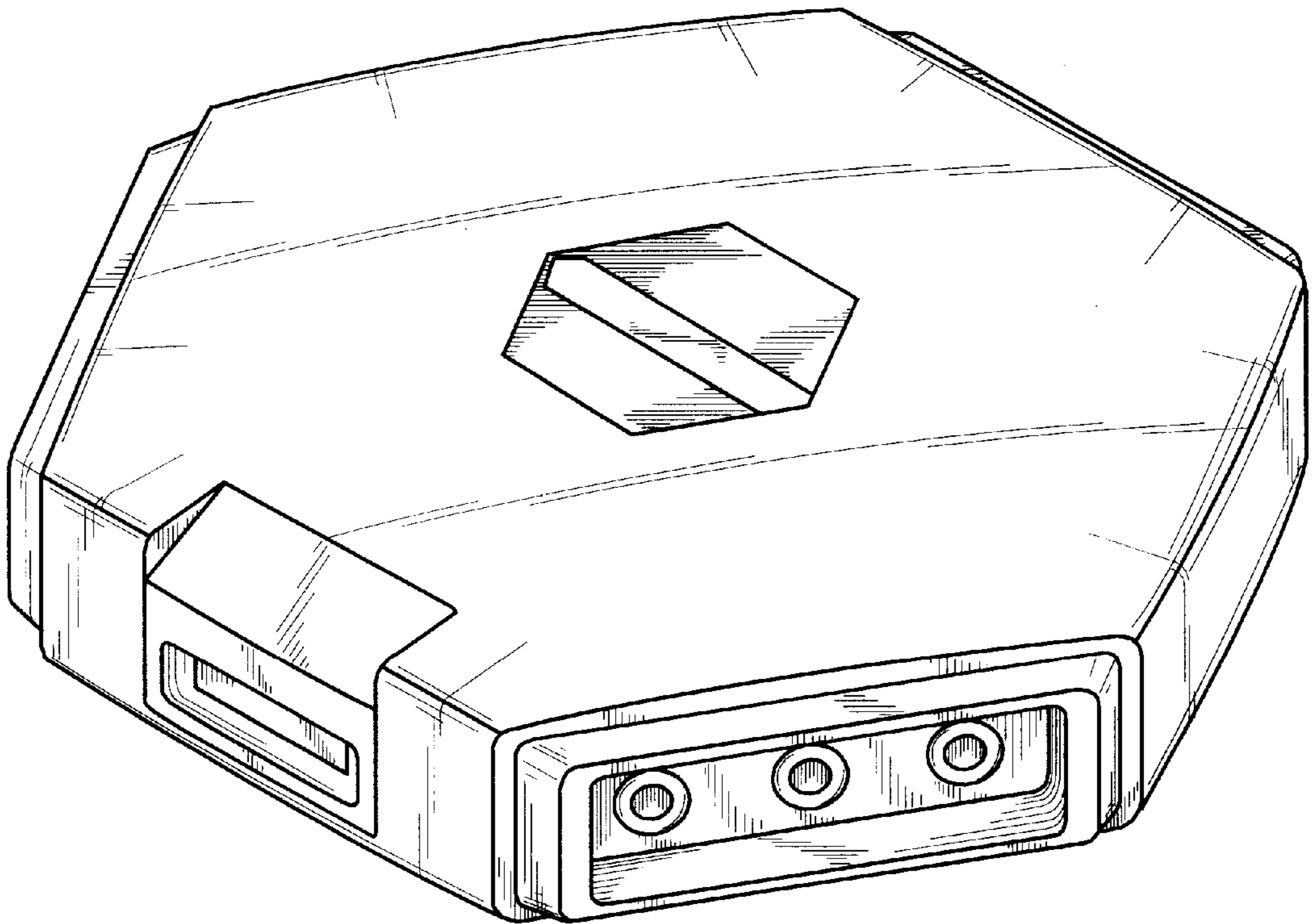


Fig. 1

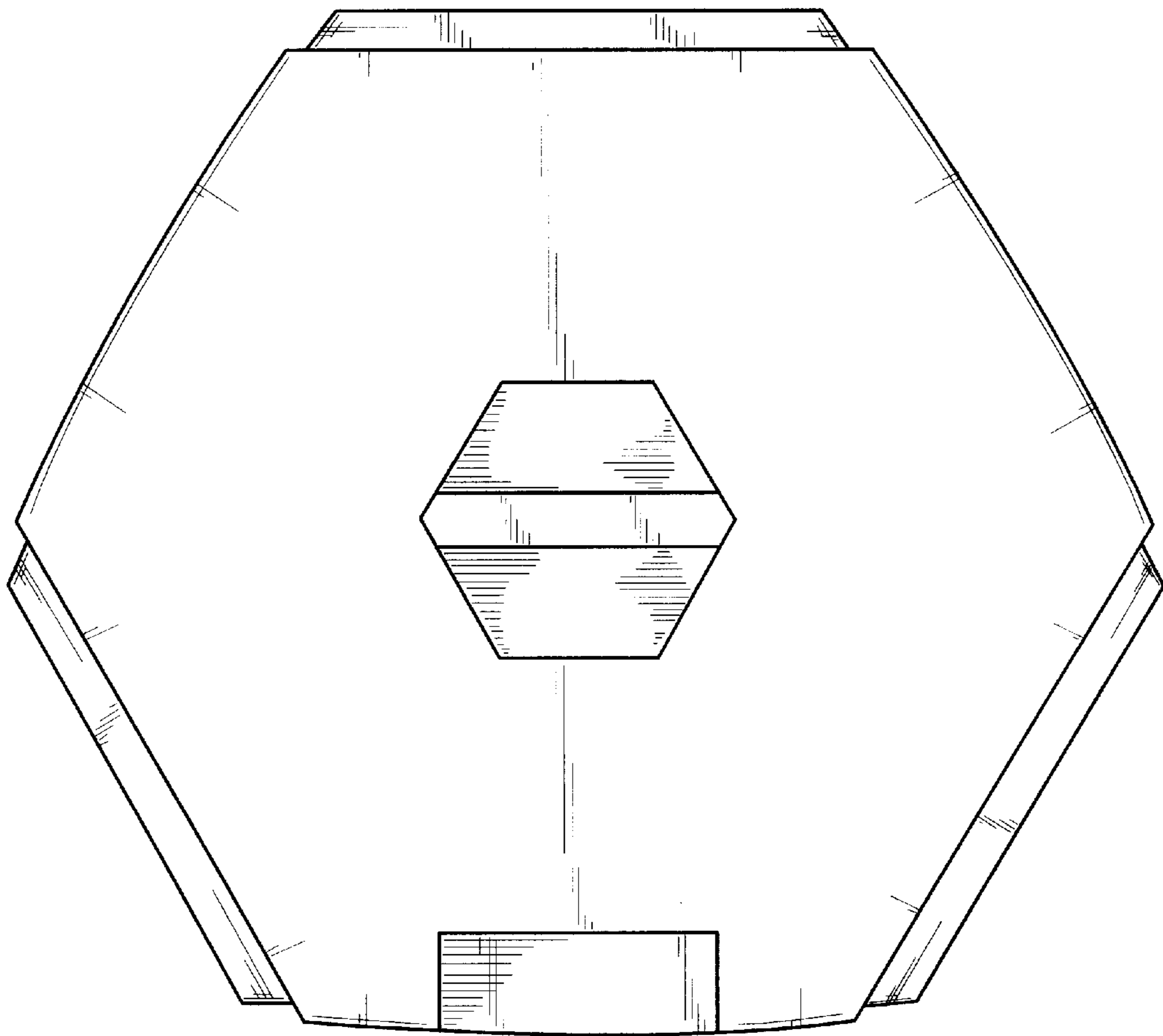


Fig. 2

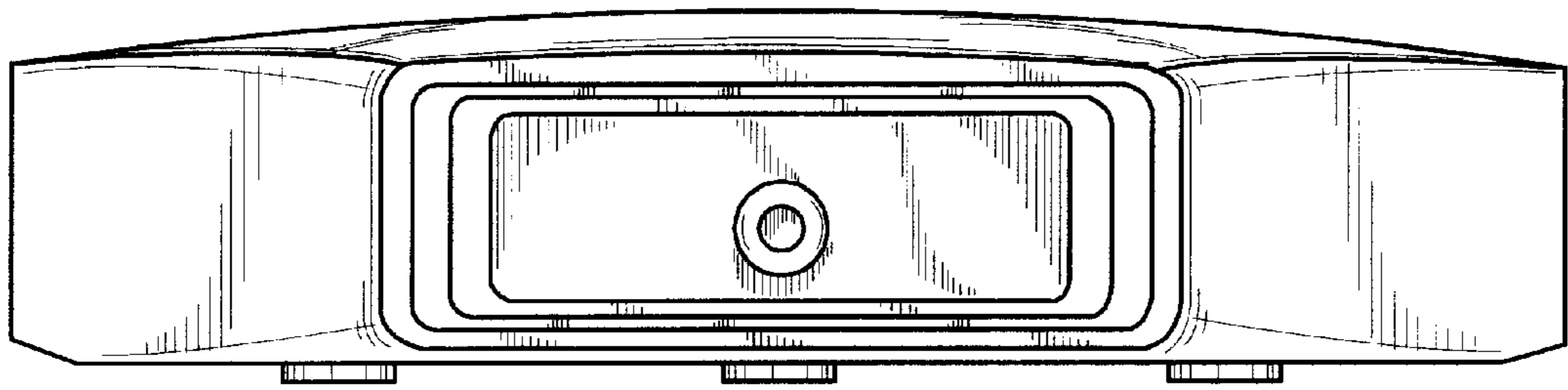


Fig. 3

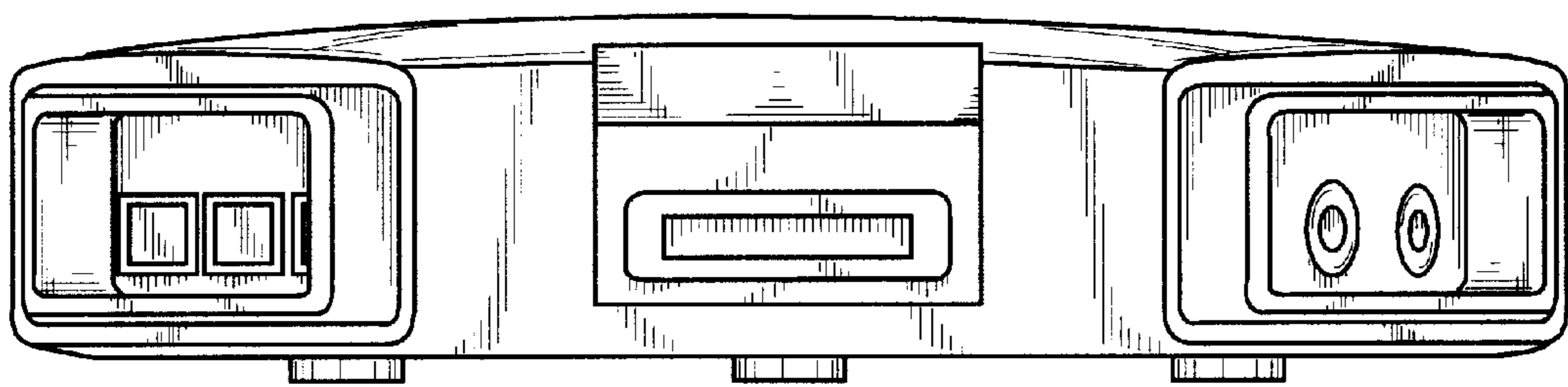


Fig. 5

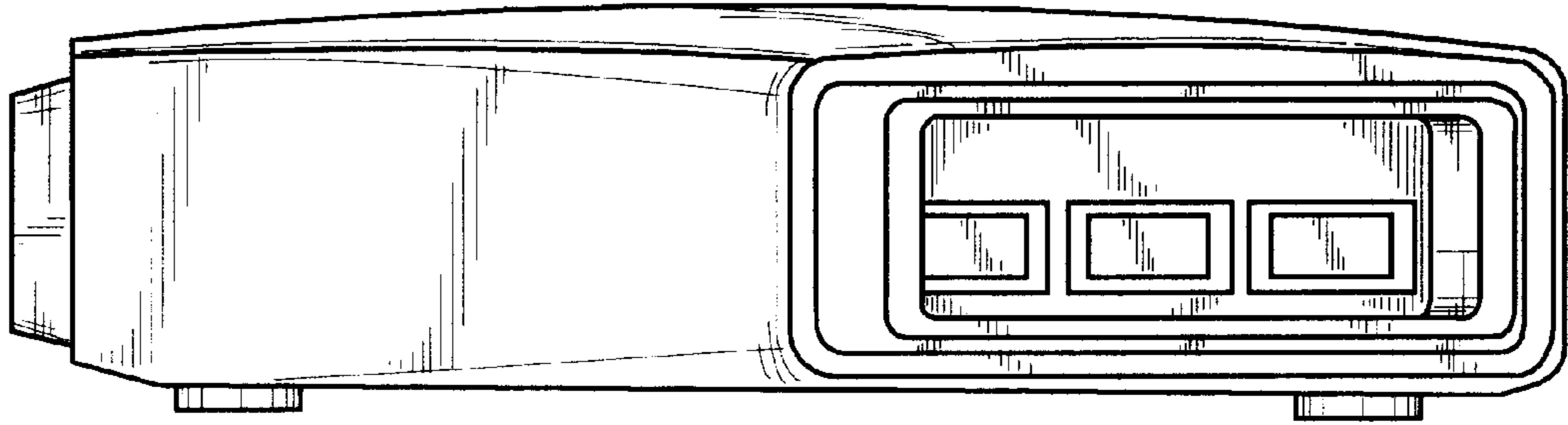


Fig. 4

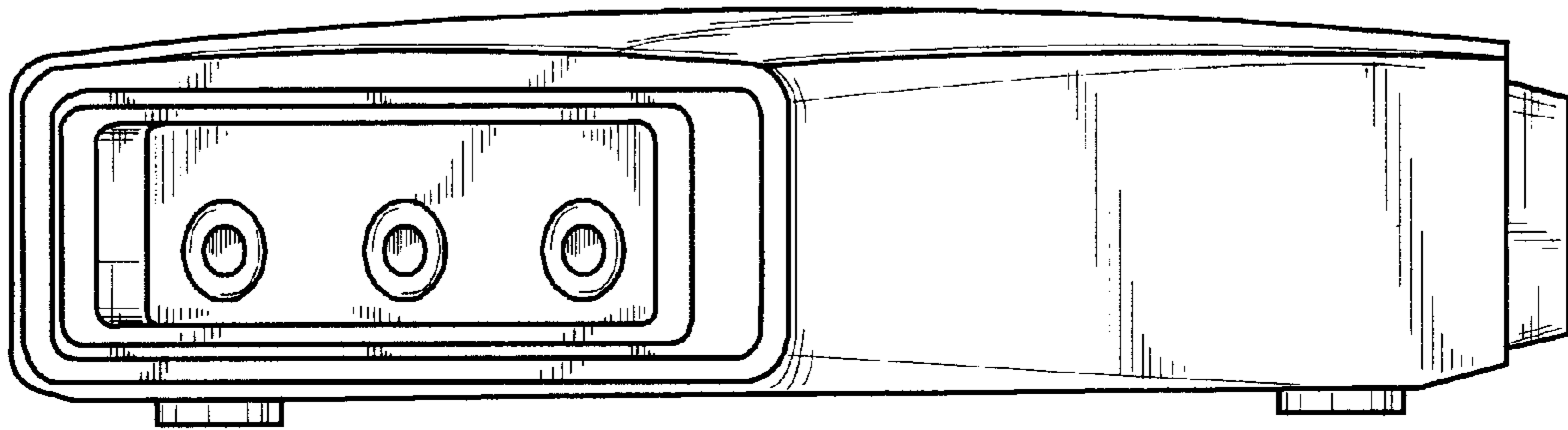


Fig. 7

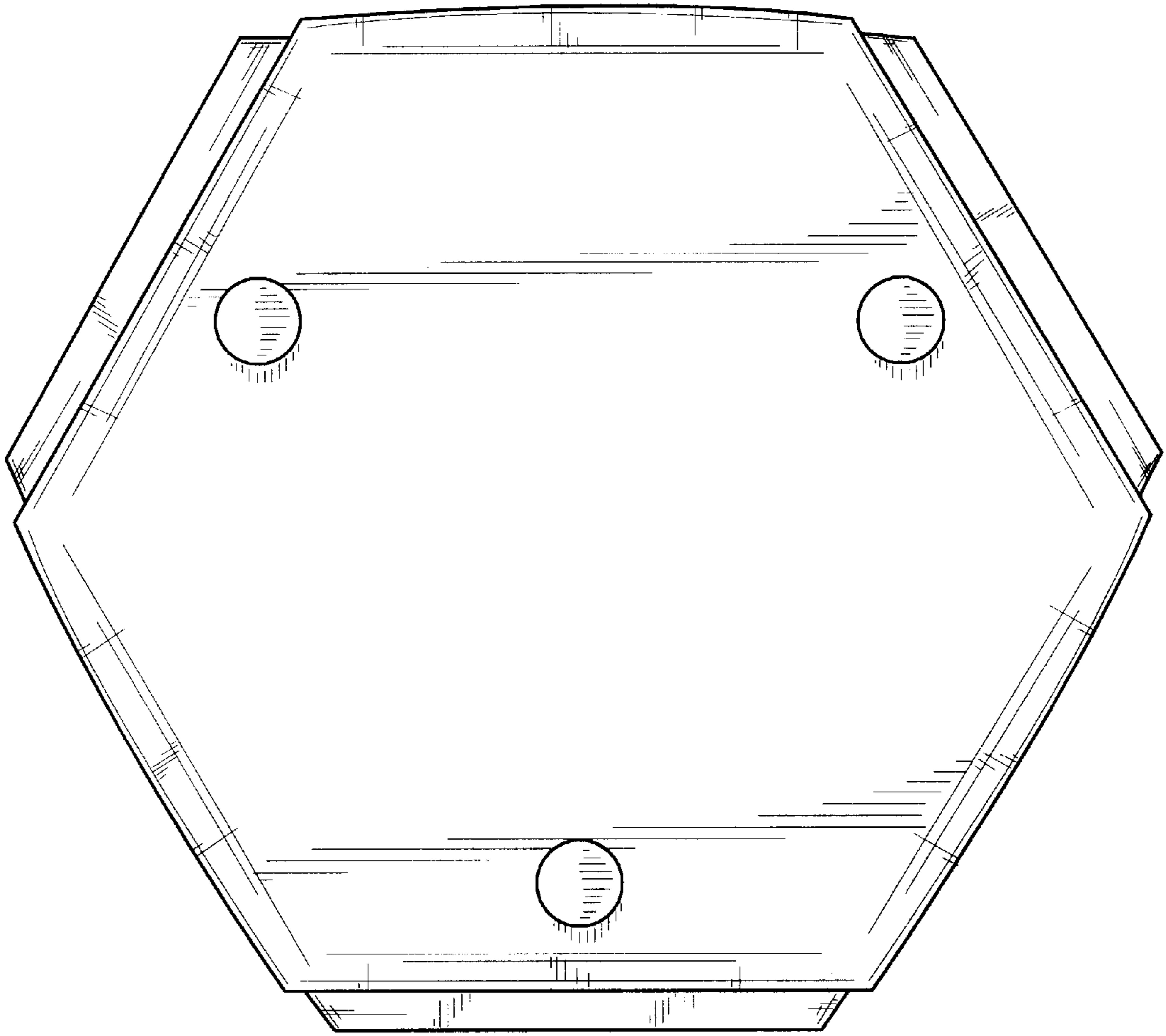


Fig. 6