



US00D438855S

(12) **United States Design Patent**
Chan

(10) **Patent No.:** **US D438,855 S**

(45) **Date of Patent:** **** Mar. 13, 2001**

(54) **BEAN BAG PHONE**

(75) **Inventor:** **Symon Chan, Hong Kong (HK)**

(73) **Assignee:** **Polyconcept USA, Inc., Stamford, CT (US)**

(**) **Term:** **14 Years**

(21) **Appl. No.:** **29/131,647**

(22) **Filed:** **Oct. 25, 2000**

(51) **LOC (7) Cl.** **14-03**

(52) **U.S. Cl.** **D14/147**

(58) **Field of Search** D14/137, 218,
D14/138, 144, 147-148, 247-249, 140-142,
250, 240; 379/433.434, 419, 420, 428,
440, 368; 455/550-575, 90; D13/168; D18/2,
7

(56) **References Cited**

U.S. PATENT DOCUMENTS

- D. 169,694 * 5/1953 Quigley et al. D27/102
- D. 211,472 * 6/1968 Dreyfuss D14/149
- D. 291,438 * 8/1987 Banko D14/150
- D. 300,317 * 3/1989 Yoshiharu D14/143
- D. 310,677 * 9/1990 Stidham, Jr. et al. D16/242
- D. 344,943 * 3/1994 Kajita et al. D14/138

- D. 345,157 * 3/1994 Happo et al. D14/138
- D. 352,028 * 11/1994 Siddoway et al. D14/138
- D. 367,274 * 2/1996 Gobindram D14/149
- D. 377,935 * 2/1997 Fink D14/150
- D. 389,143 * 1/1998 Wicks D14/144
- D. 390,844 * 2/1998 Tung D14/148
- 5,661,641 * 8/1997 Shindo 361/814

* cited by examiner

Primary Examiner—Jeffrey Asch

(74) *Attorney, Agent, or Firm*—Notaro & Michalos P.C.

(57) **CLAIM**

The ornamental design for a bean bag phone, as shown and described.

DESCRIPTION

FIG. 1 is a top plan view of a bean bag phone showing our new design therefor;

FIG. 2 is a bottom plan view thereof;

FIG. 3 is a right side elevational view thereof;

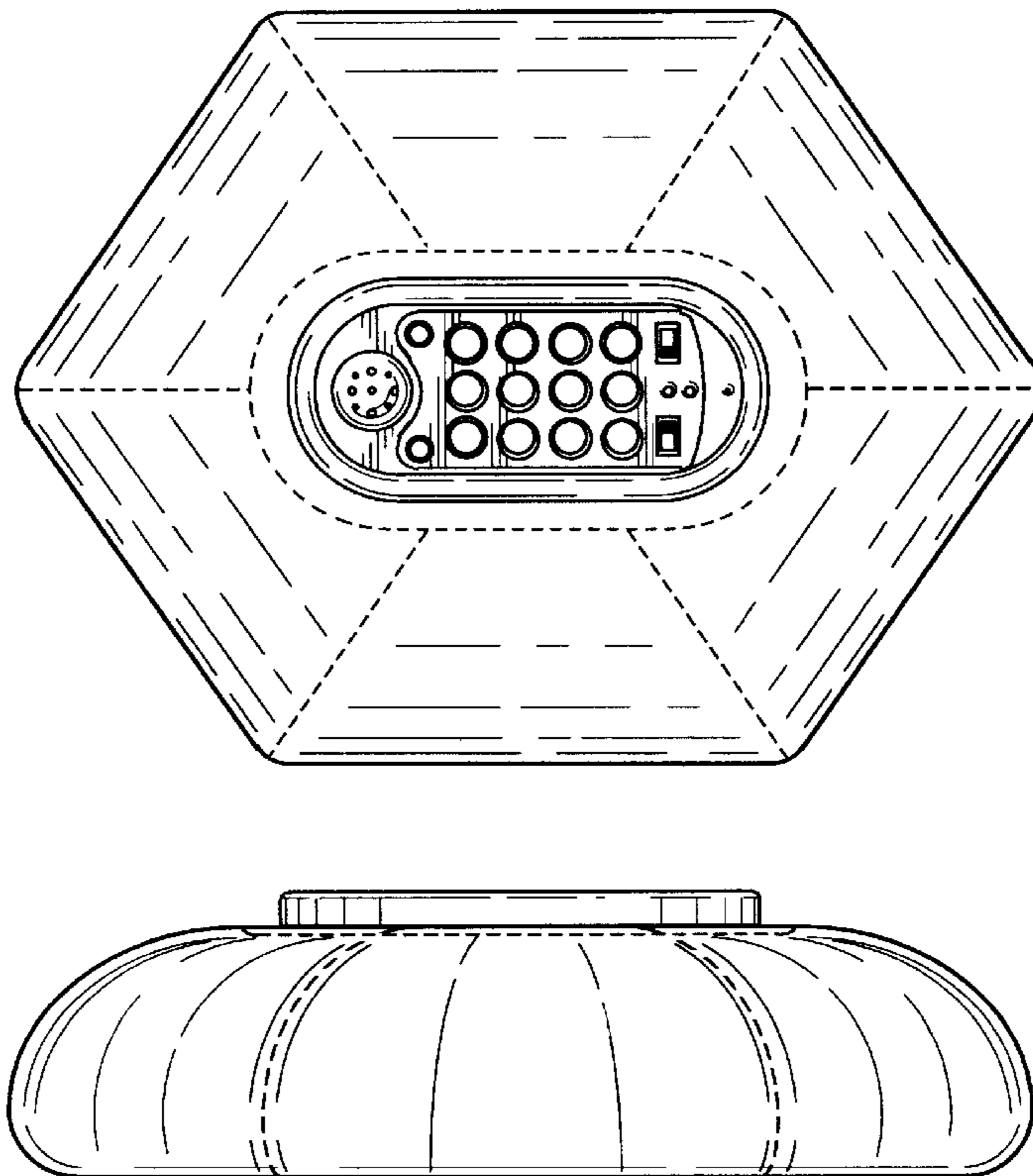
FIG. 4 is a left side elevational view thereof;

FIG. 5 is a front side elevational view thereof; and,

FIG. 6 is a rear side elevational view thereof.

The dashed line showings throughout the views represents stitching.

1 Claim, 2 Drawing Sheets



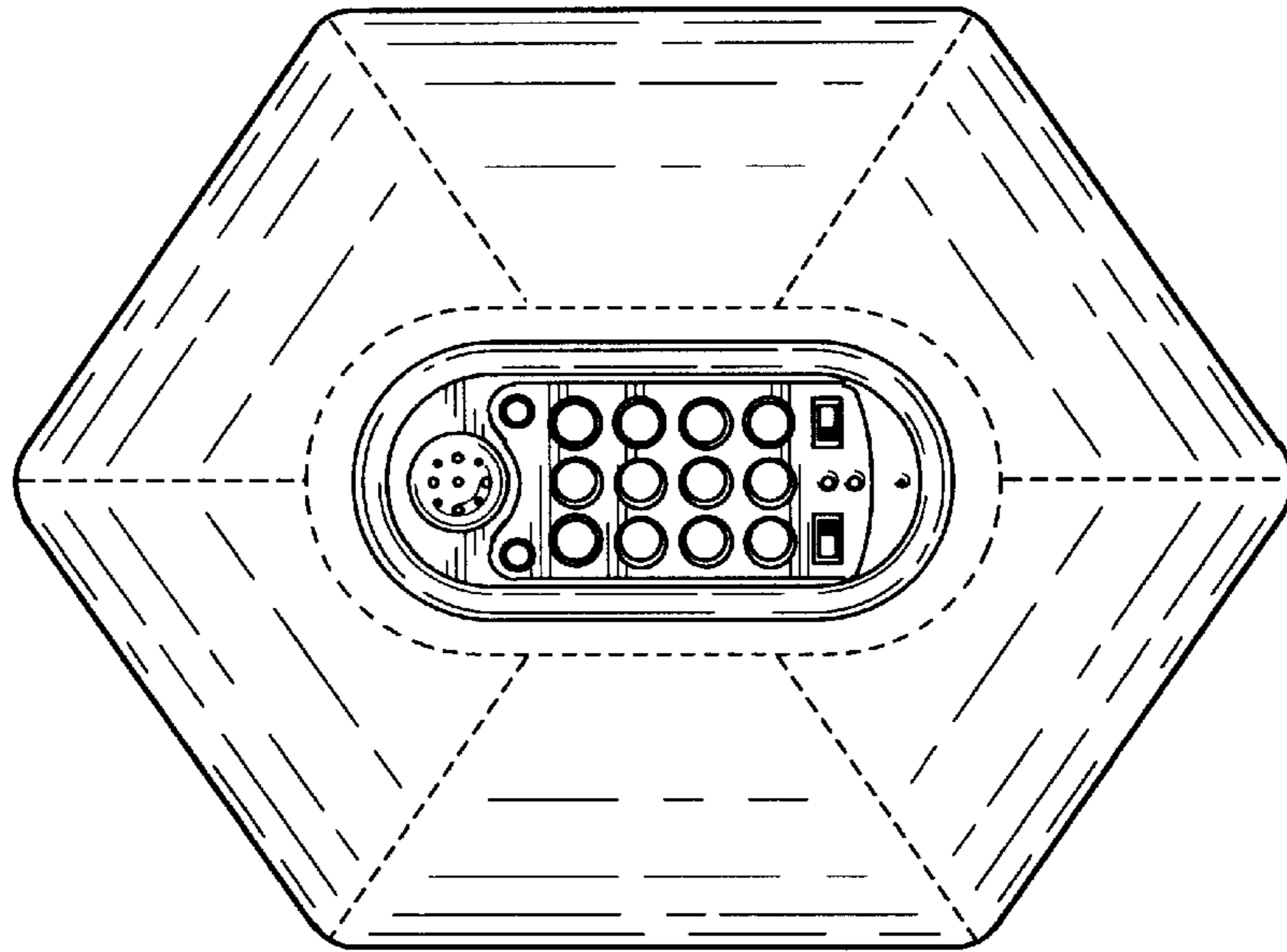


FIG. 1

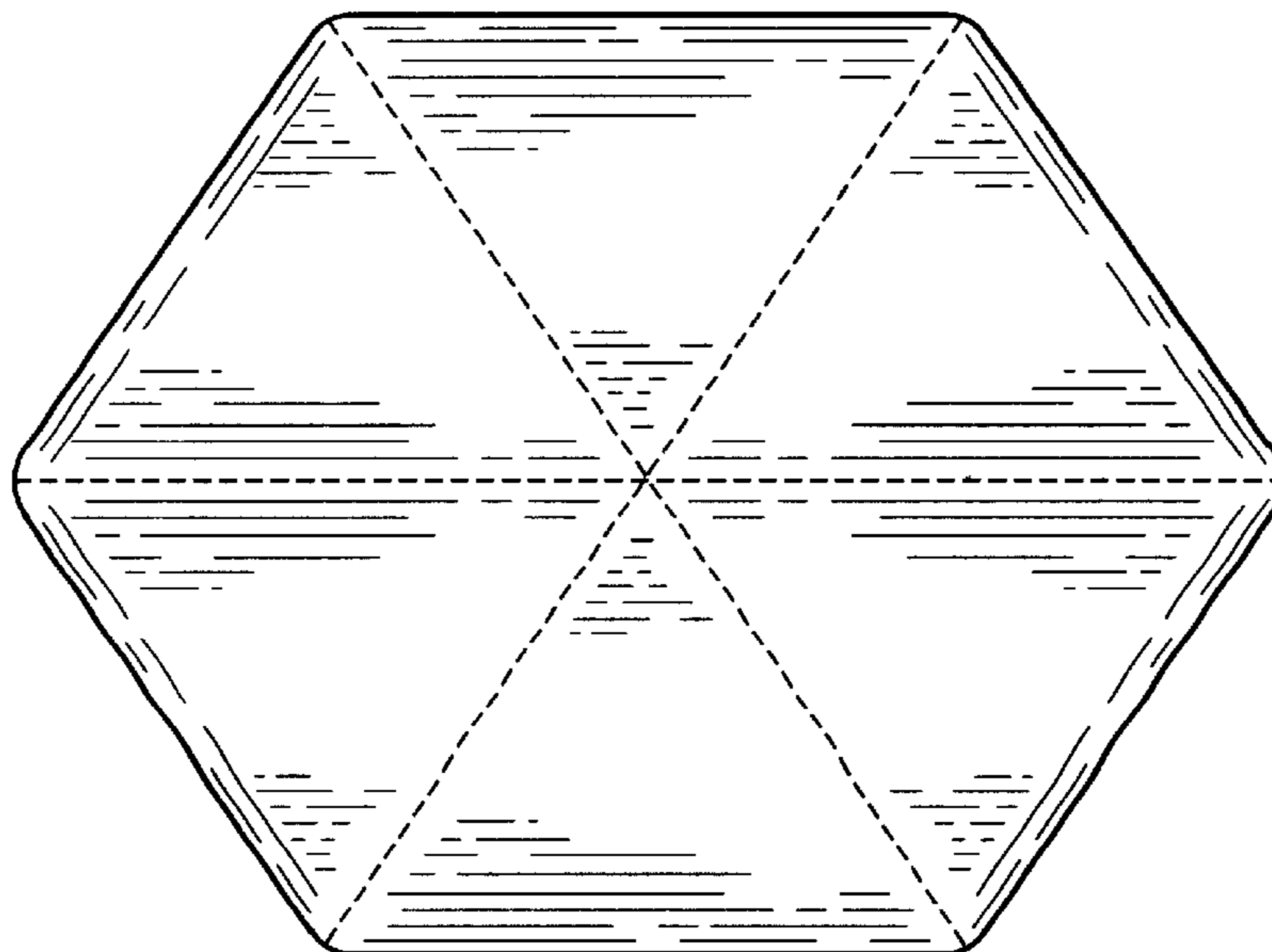


FIG. 2

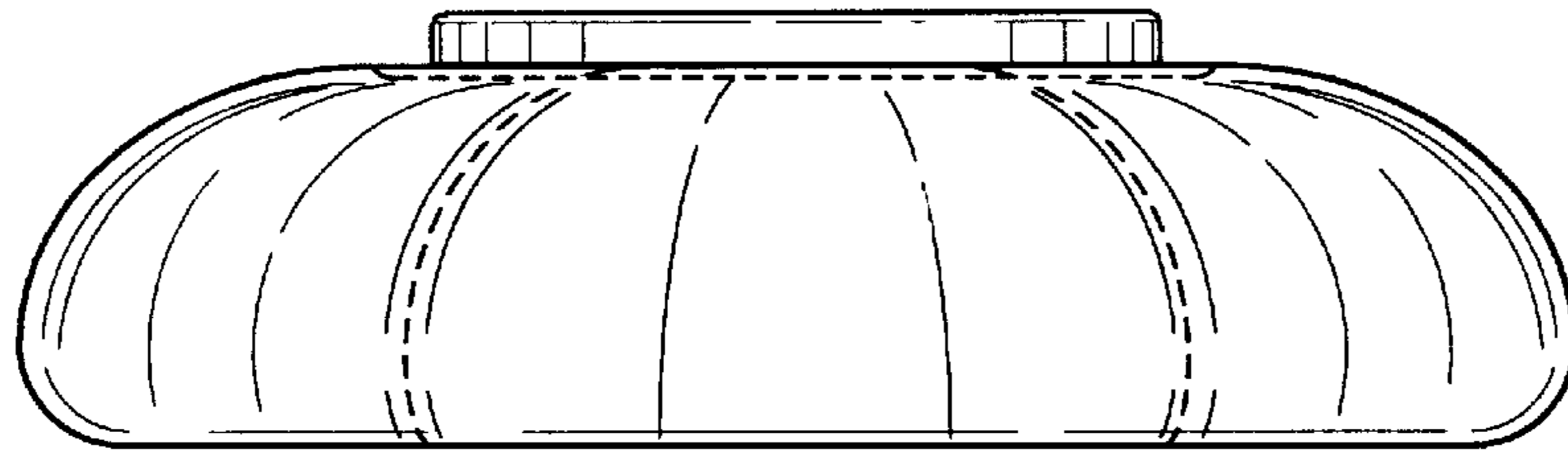


FIG. 3

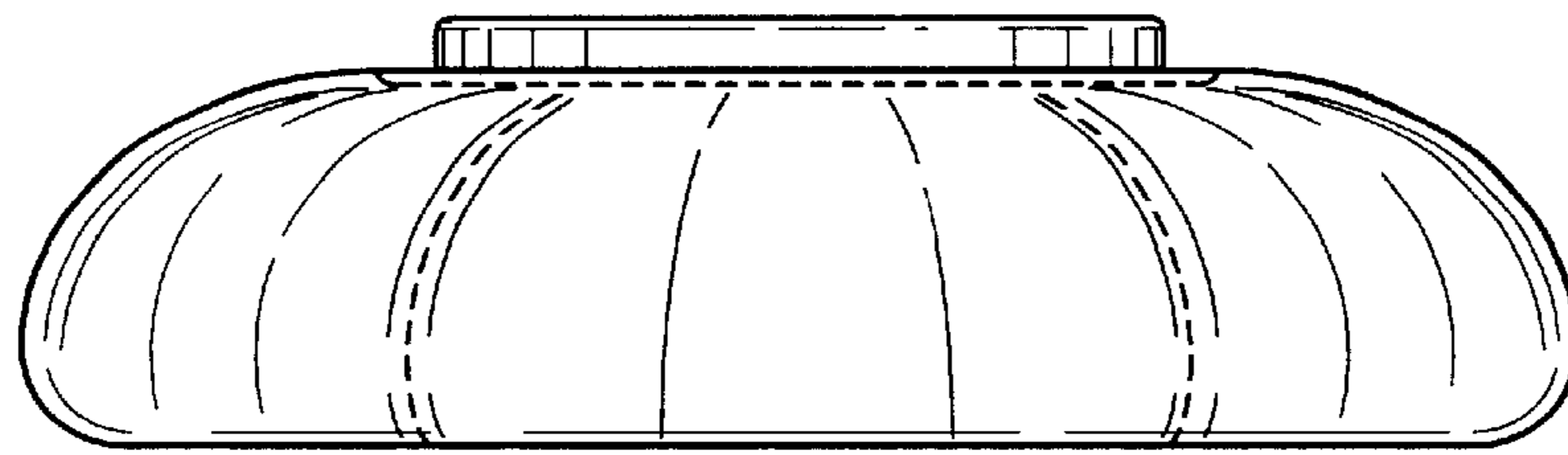


FIG. 4

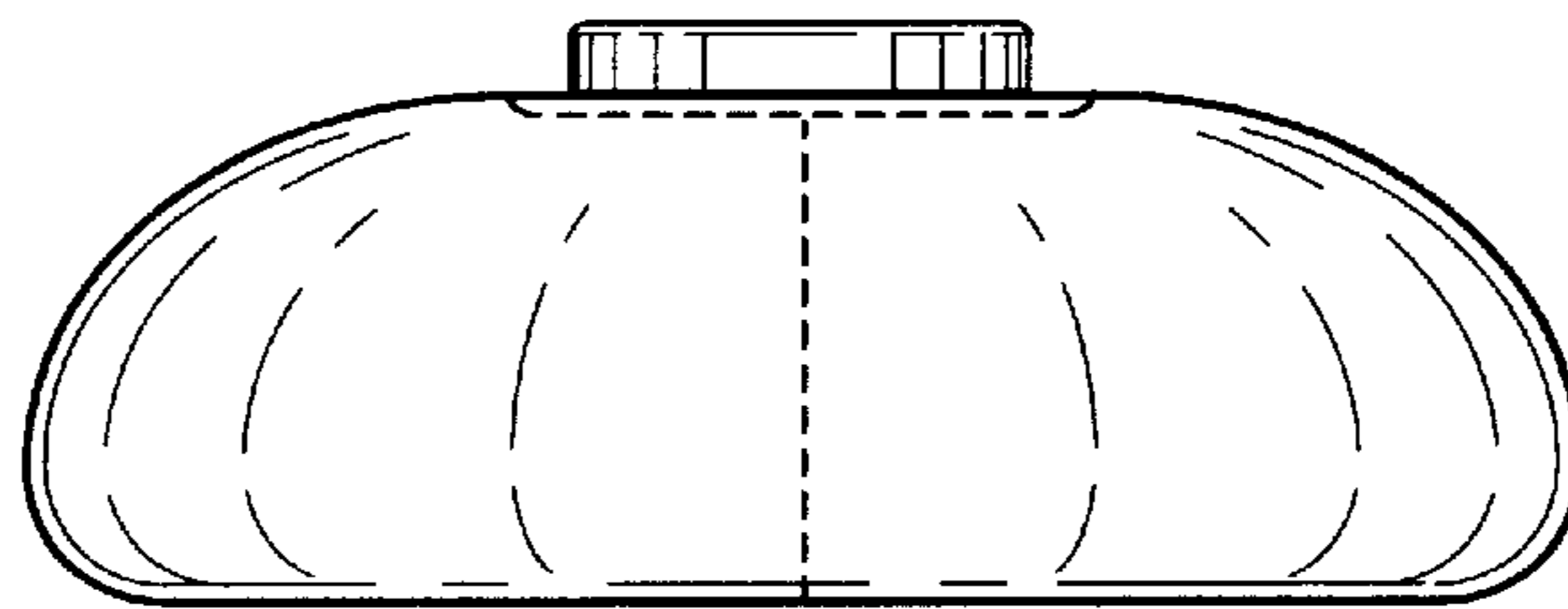


FIG. 5

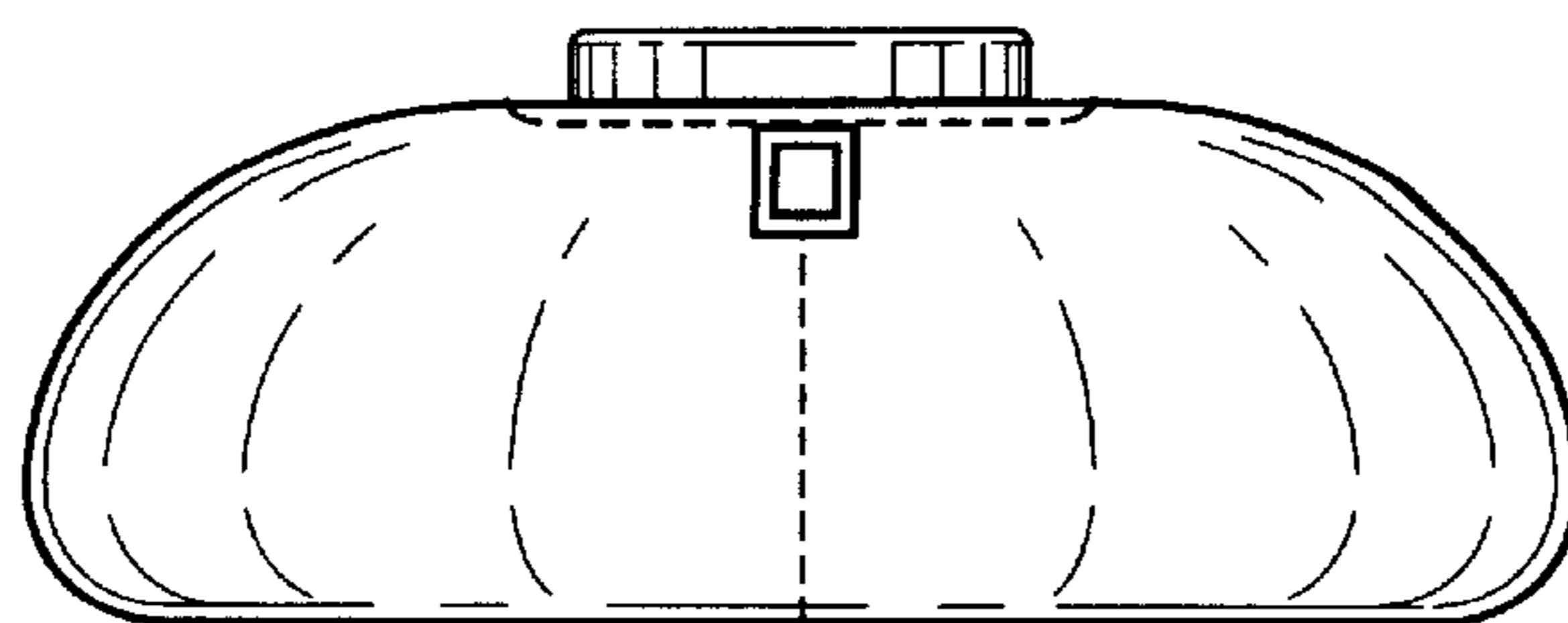


FIG. 6