



US00D438850S

(12) **United States Design Patent**  
**Rosen**

(10) **Patent No.:**

**US D438,850 S**

(45) **Date of Patent:**

**\*\* Mar. 13, 2001**

(54) **DEPLOYABLE MONITOR**

61-282139	12/1986	(JP) .
1-300775	12/1989	(JP) .
2-7082	1/1990	(JP) .
2-31577	2/1990	(JP) .
2-149083	6/1990	(JP) .
4-63739	2/1992	(JP) .
5-24486	2/1993	(JP) .
5-50883	3/1993	(JP) .
5-185878	7/1993	(JP) .

(75) Inventor: **John B. Rosen**, Eugene, OR (US)

(73) Assignee: **Rosen Products LLC**, Eugene, OR (US)

(\*\*) Term: **14 Years**

(21) Appl. No.: **29/096,537**

(22) Filed: **Nov. 13, 1998**

*Primary Examiner*—Catherine Tuttle

(74) *Attorney, Agent, or Firm*—Kolisich, Hartwell, Dickinson, McCormack & Heuser

**Related U.S. Application Data**

(63) Continuation of application No. 29/085,504, filed on Mar. 25, 1998, now Pat. No. Des. 408,029, and a continuation-in-part of application No. 29/085,561, filed on Mar. 25, 1998, now Pat. No. Des. 407,086.

(51) **LOC (7) Cl.** ..... **14-03**

(52) **U.S. Cl.** ..... **D14/132**

(58) **Field of Search** ..... D14/126-134,  
D14/371, 374, 375; 312/7.2; 348/825, 827,  
836, 837, 148; 248/917-924

(57) **CLAIM**

The ornamental design for a deployable monitor, as shown and described.

**DESCRIPTION**

FIG. 1 is an isometric view of a deployable monitor constructed in accordance with the present invention, the monitor being shown in a deployed orientation with monitor environment in dashed lines;

FIG. 2 is a front elevation view thereof;

FIG. 3 is a rear elevation view thereof;

FIG. 4 is a bottom view thereof;

FIG. 5 is top view thereof; and,

FIG. 6 is a right-side view thereof, the left-side view being a mirror image thereof.

The broken line showing in FIGS. 1-6 is for illustrative purposes only and forms no part of the claimed design.

(56) **References Cited**

**U.S. PATENT DOCUMENTS**

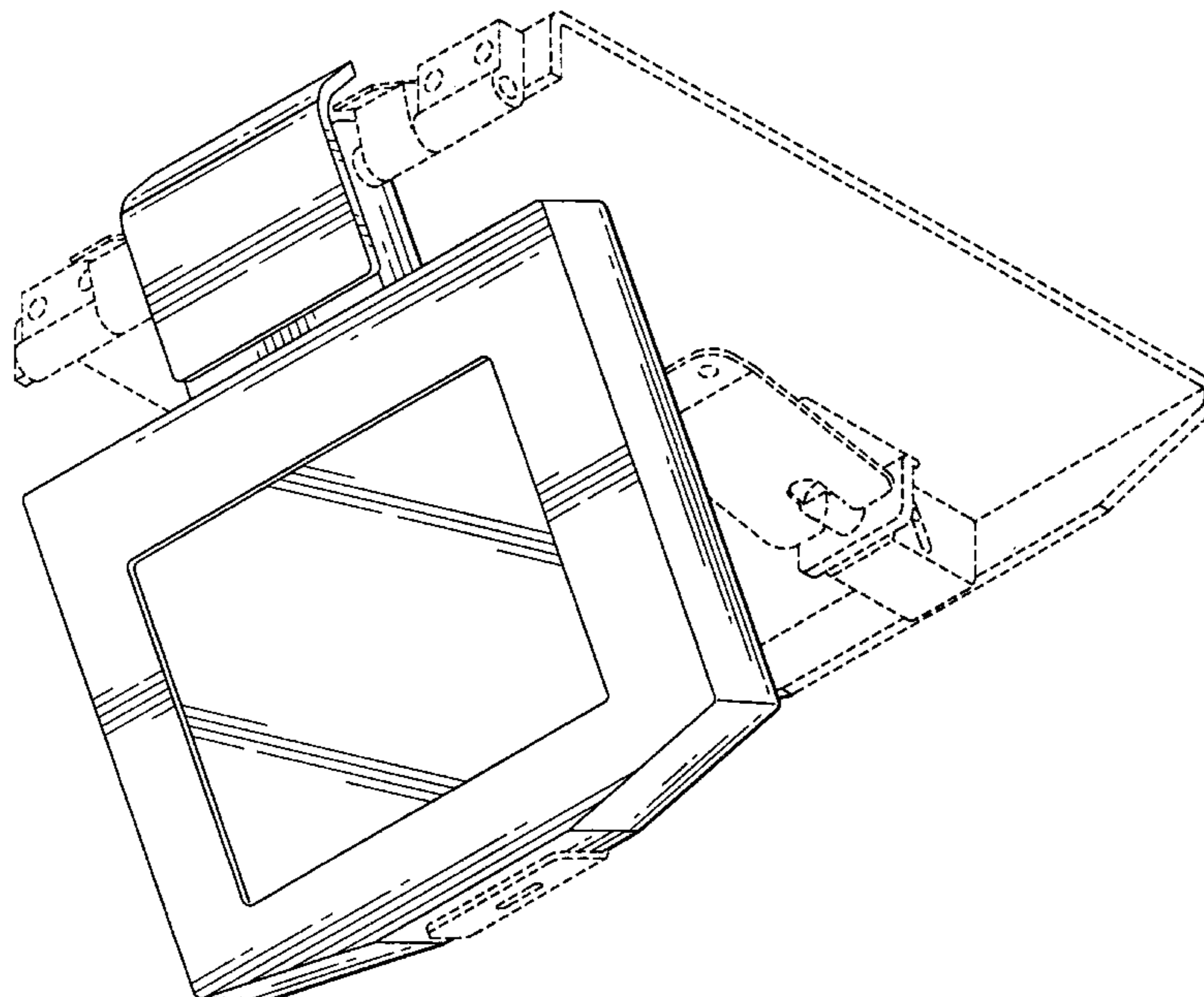
D. 285,684	9/1986	Akita et al. .	
D. 366,067	1/1996	Mowrey .	
D. 387,345	* 12/1997	Rosen .....	D14/132
D. 390,219	2/1998	Rosen .	
D. 391,926	* 3/1998	Brunner et al. ....	D14/132 X
D. 395,458	6/1998	Smith et al. .	

(List continued on next page.)

**FOREIGN PATENT DOCUMENTS**

4118711 12/1992 (DE) .

**1 Claim, 5 Drawing Sheets**



# US D438,850 S

Page 2

---

U.S. PATENT DOCUMENTS					
			5,144,290	9/1992	Honda et al. .
			5,161,028	11/1992	Kawata et al. .
			5,173,686	12/1992	Fujihara .
			5,177,616	1/1993	Riday .
			5,179,447	1/1993	Lain .
			5,195,709	3/1993	Yasushi .
			5,311,302	5/1994	Berry et al. .
			5,335,076	8/1994	Reh et al. .
			5,338,081	8/1994	Young et al. .
			5,359,349	10/1994	Jambor et al. .
			5,362,144	11/1994	Shioya et al. .
			5,397,160	3/1995	Landry .
			5,467,106	11/1995	Salomon .
			5,547,248	8/1996	Marechal .
			5,583,735	12/1996	Pease et al. .
			5,743,487	4/1998	Rice .
			5,775,762	7/1998	Vitito .
D. 399,503	* 10/1998	Rosen ..... D14/132			
4,438,458	3/1984	Münscher .			
4,504,910	3/1985	Araki et al. .			
4,620,808	11/1986	Kurtin et al. .			
4,630,821	12/1986	Greenwald .			
4,633,323	12/1986	Haberkern et al. .			
4,647,980	3/1987	Steventon et al. .			
4,708,312	11/1987	Rohr .			
4,735,467	4/1988	Wolters .			
4,749,364	6/1988	Arney et al. .			
4,824,159	4/1989	Fluharty et al. .			
4,836,486	6/1989	Vossoughi et al. .			
4,843,477	6/1989	Mizutani et al. .			
4,866,515	9/1989	Tagawa et al. .			
4,982,996	1/1991	Vottero-Fin et al. .			
4,983,951	1/1991	Igarashi et al. .			
5,076,524	12/1991	Reh et al. .			
5,096,271	3/1992	Portman .			

\* cited by examiner

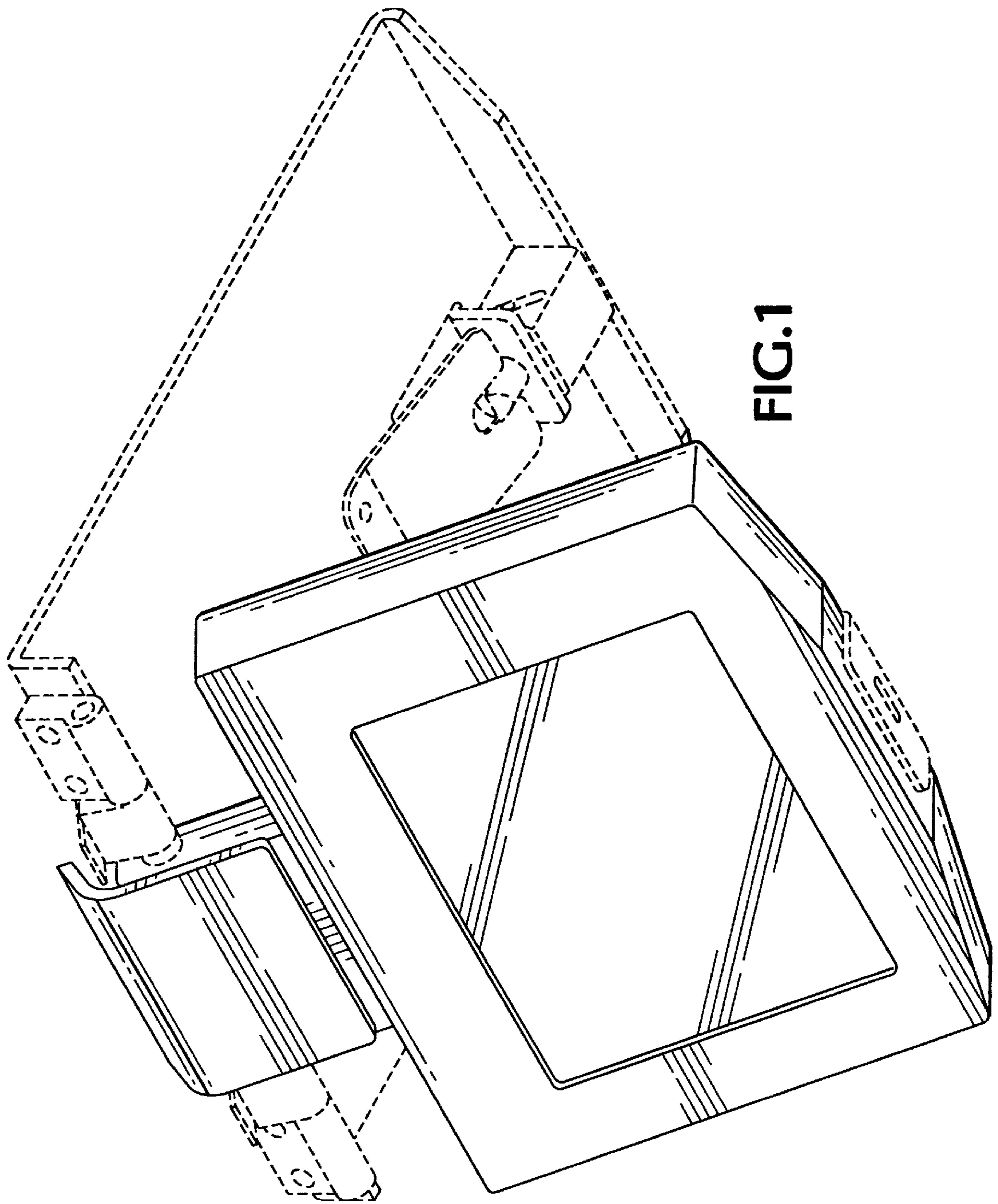


FIG.1

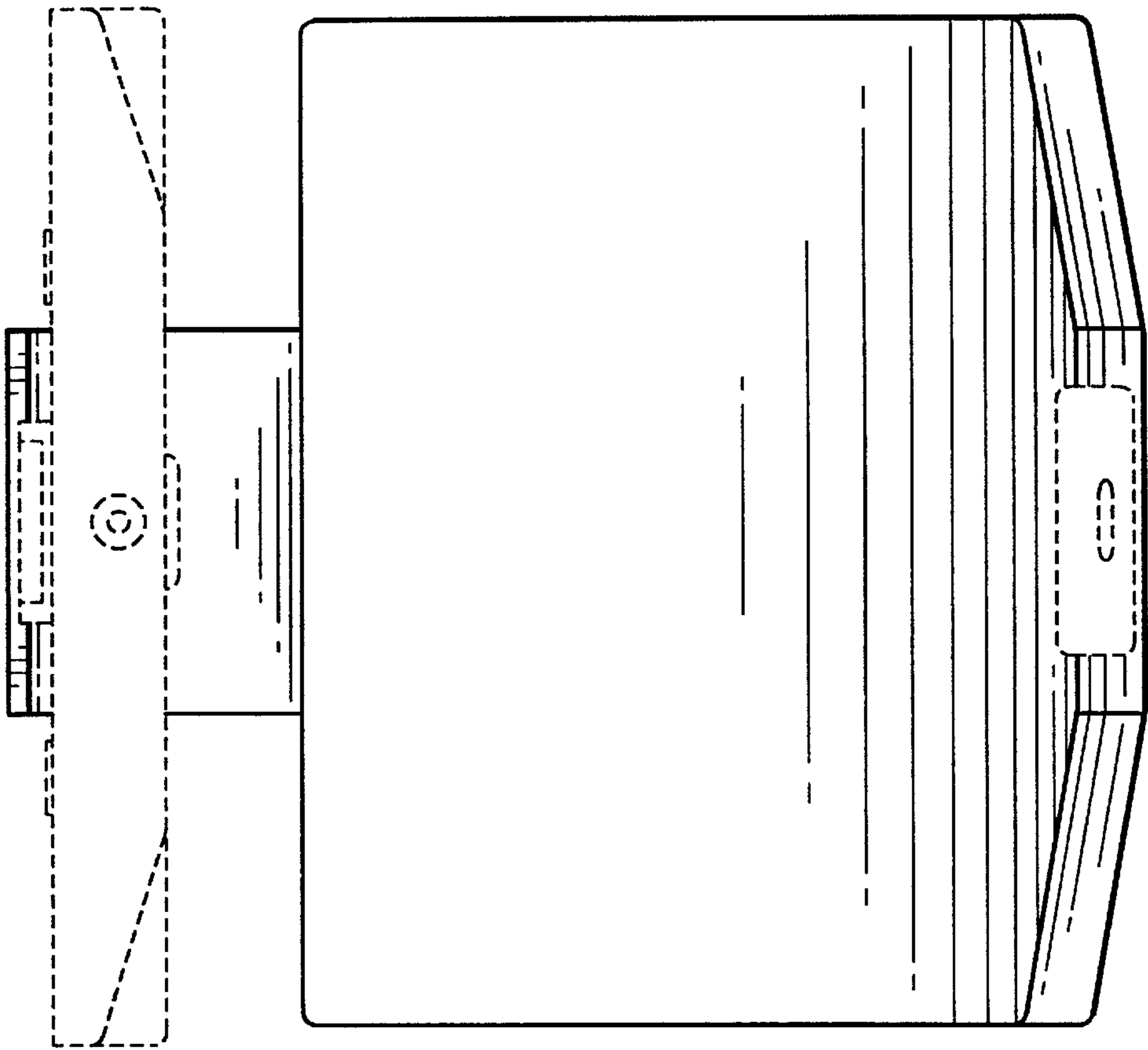


FIG. 2

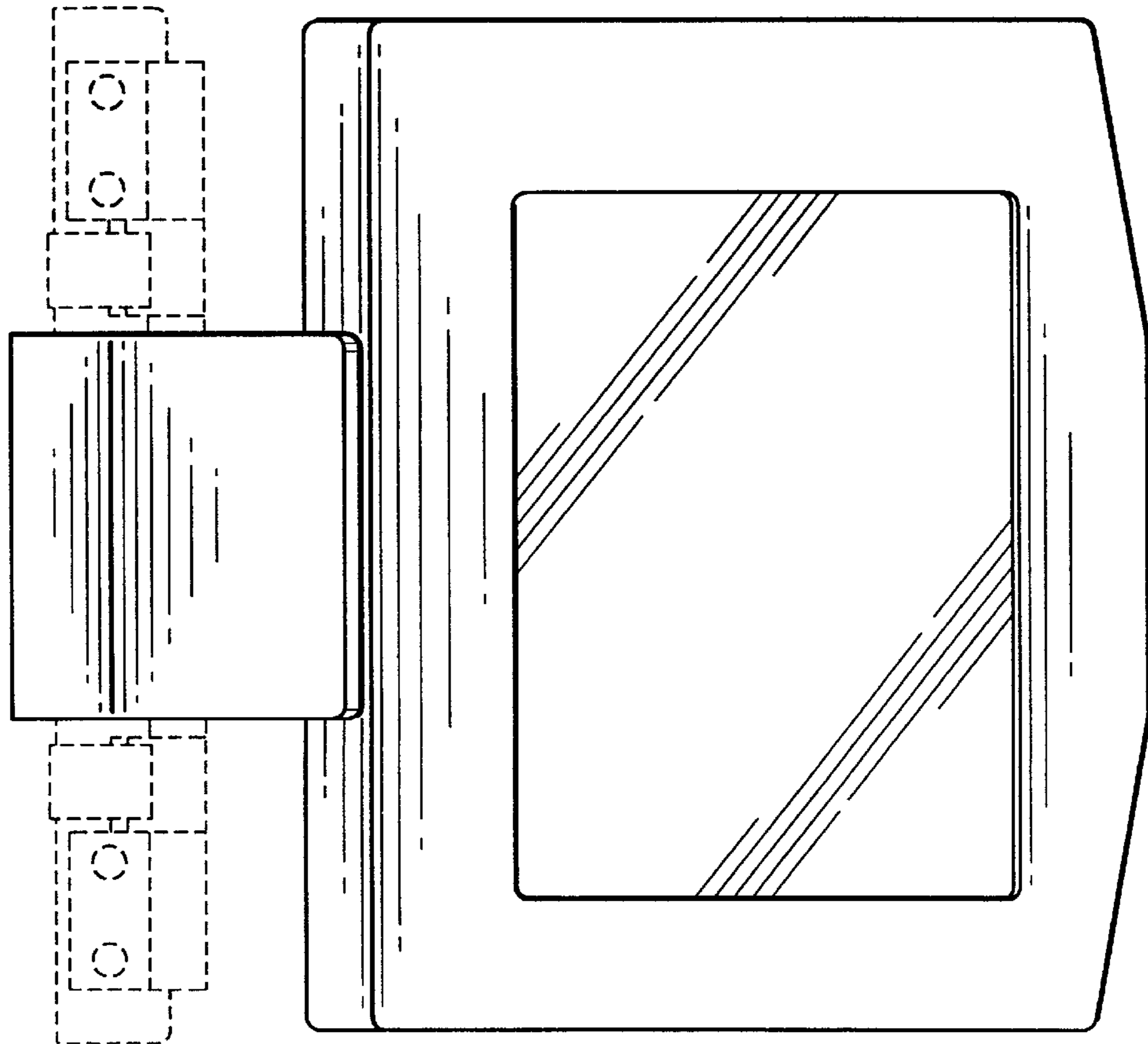


FIG. 3

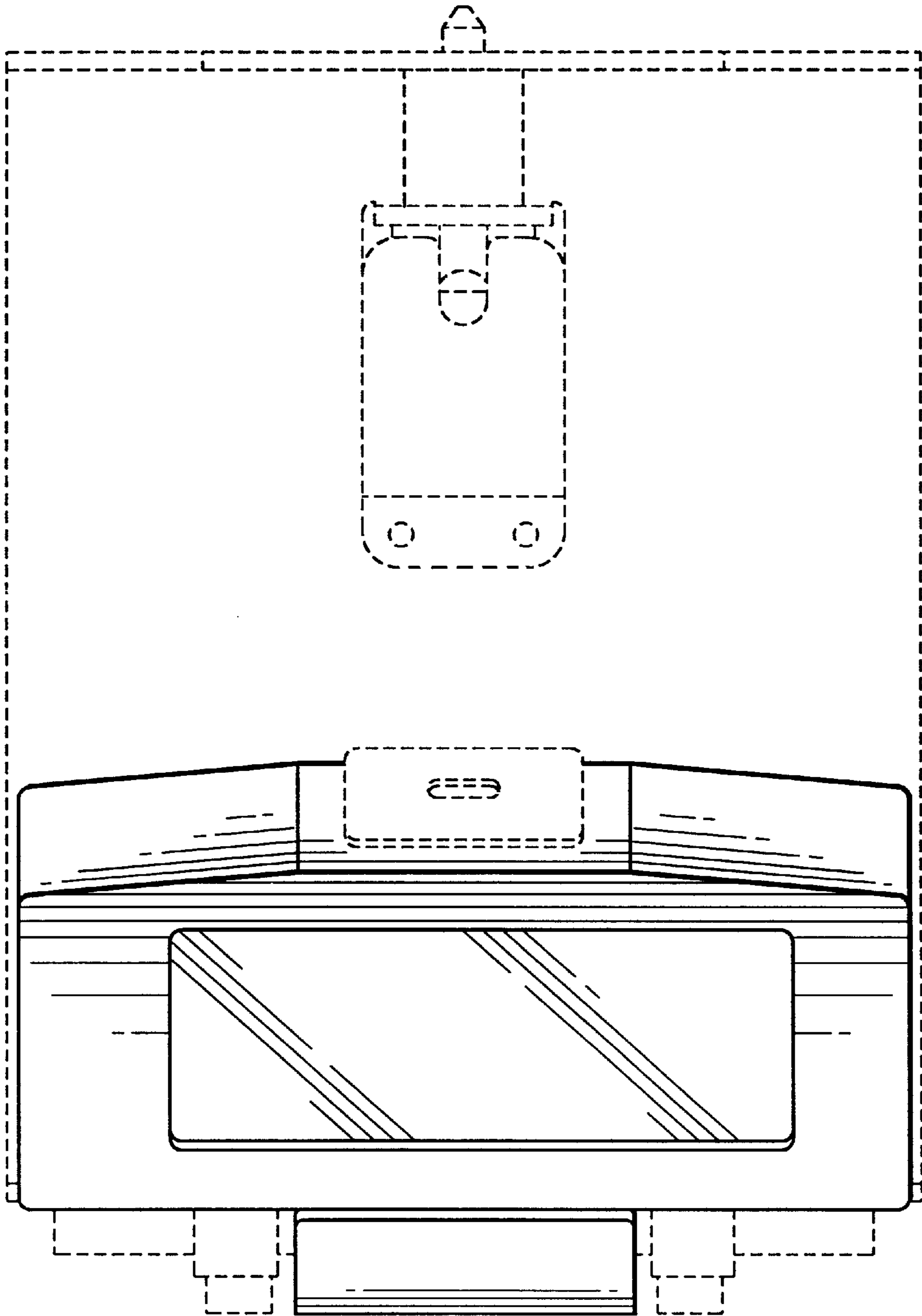


FIG.4

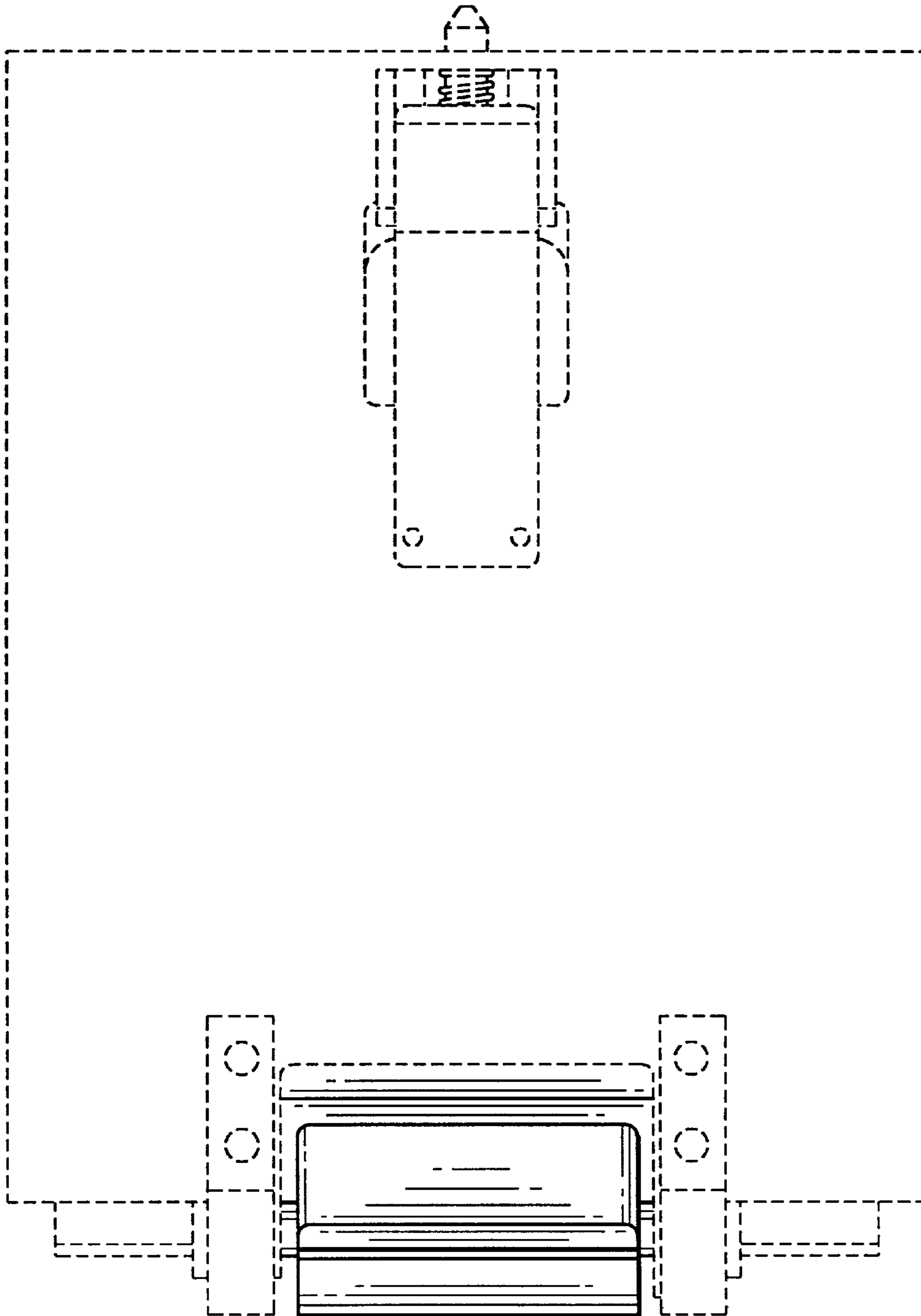


FIG.5

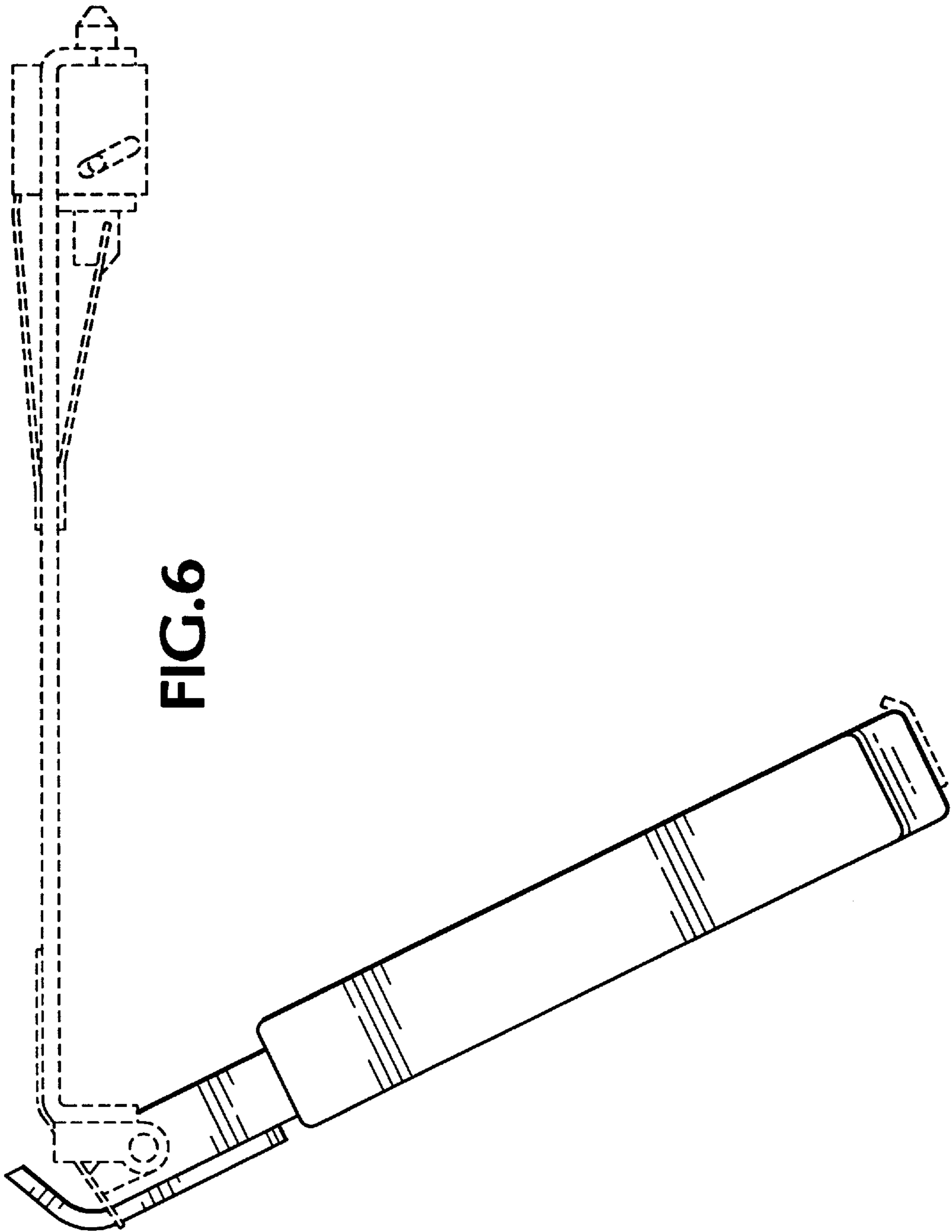


FIG. 6