



US00D438849S

(12) **United States Design Patent**
Adachi et al.

(10) **Patent No.:** **US D438,849 S**

(45) **Date of Patent:** **** Mar. 13, 2001**

(54) **MONITOR TELEVISION**

(75) Inventors: **Tomoyuki Adachi**, Konan; **Tetsuro Kato**, Nagoya, both of (JP)

(73) Assignee: **Elmo Co., Ltd.**, Aichi (JP)

(**) Term: **14 Years**

(21) Appl. No.: **29/126,621**

(22) Filed: **Jul. 20, 2000**

(30) **Foreign Application Priority Data**

Feb. 1, 2000 (JP) D12-001458

(51) **LOC (7) Cl.** **14-03**

(52) **U.S. Cl.** **D14/126; D14/132**

(58) **Field of Search** D14/125-136,
D14/371, 374, 375, 376, 378, 380, 381,
314, 335, 336; 348/794, 836, 838; 361/681;
345/905; 349/58; 248/917-924

(56) **References Cited**

U.S. PATENT DOCUMENTS

- D. 303,661 * 9/1989 Manabe et al. D14/375
- D. 355,170 * 2/1995 Mizusugi D14/336
- D. 394,248 * 5/1998 Duan D14/375
- D. 403,670 * 1/1999 Liao D14/375

- D. 415,147 * 10/1999 Adachi D14/126
- 5,100,098 * 3/1992 Hawkins 248/917
- 5,243,549 * 9/1993 Oshiba 361/681
- 5,864,331 * 1/1999 Anand et al. 348/794 X
- 6,020,867 * 2/2000 Shimada et al. 361/681 X

* cited by examiner

Primary Examiner—Catherine Tuttle

(74) *Attorney, Agent, or Firm*—Koda & Androlia

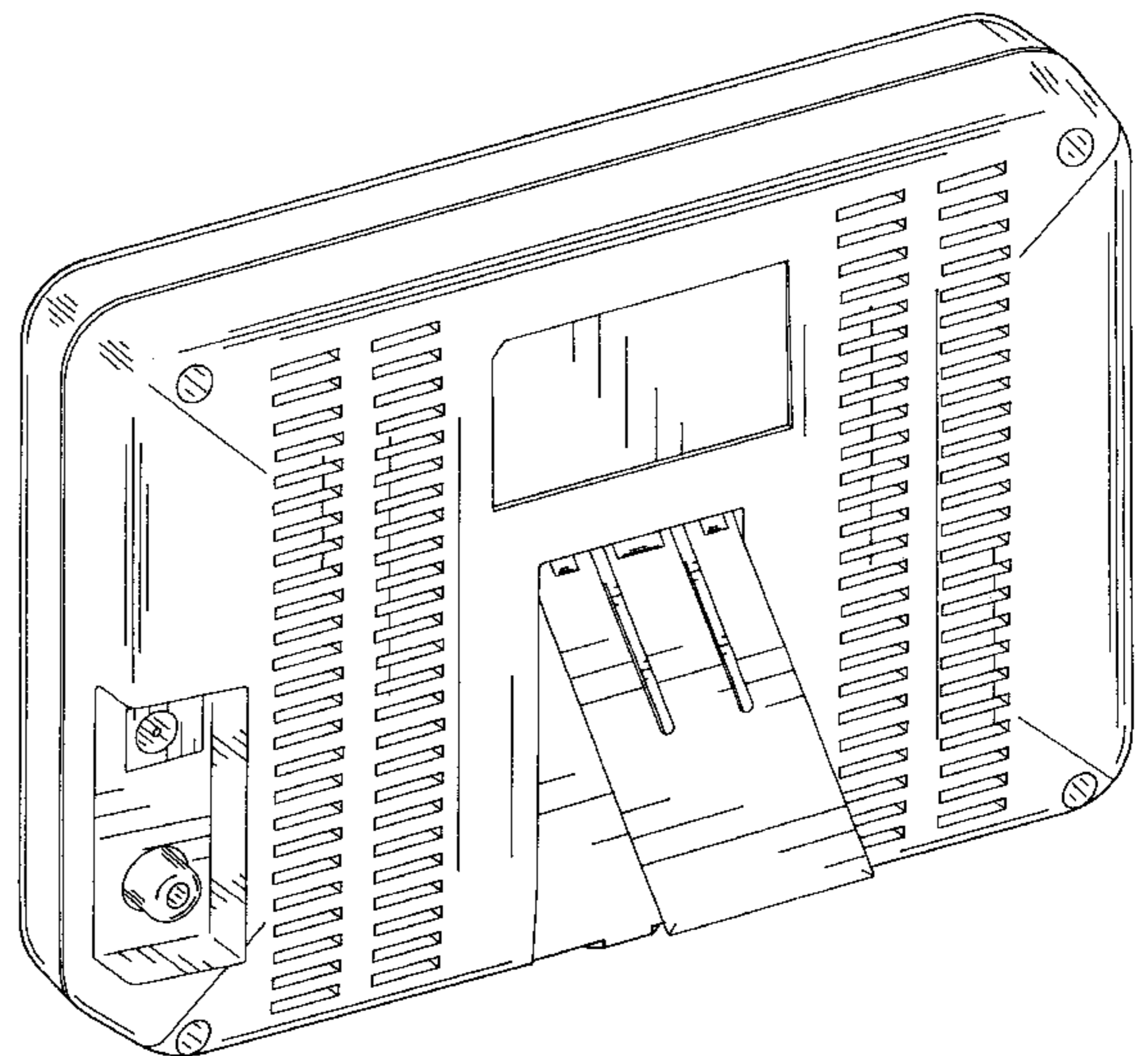
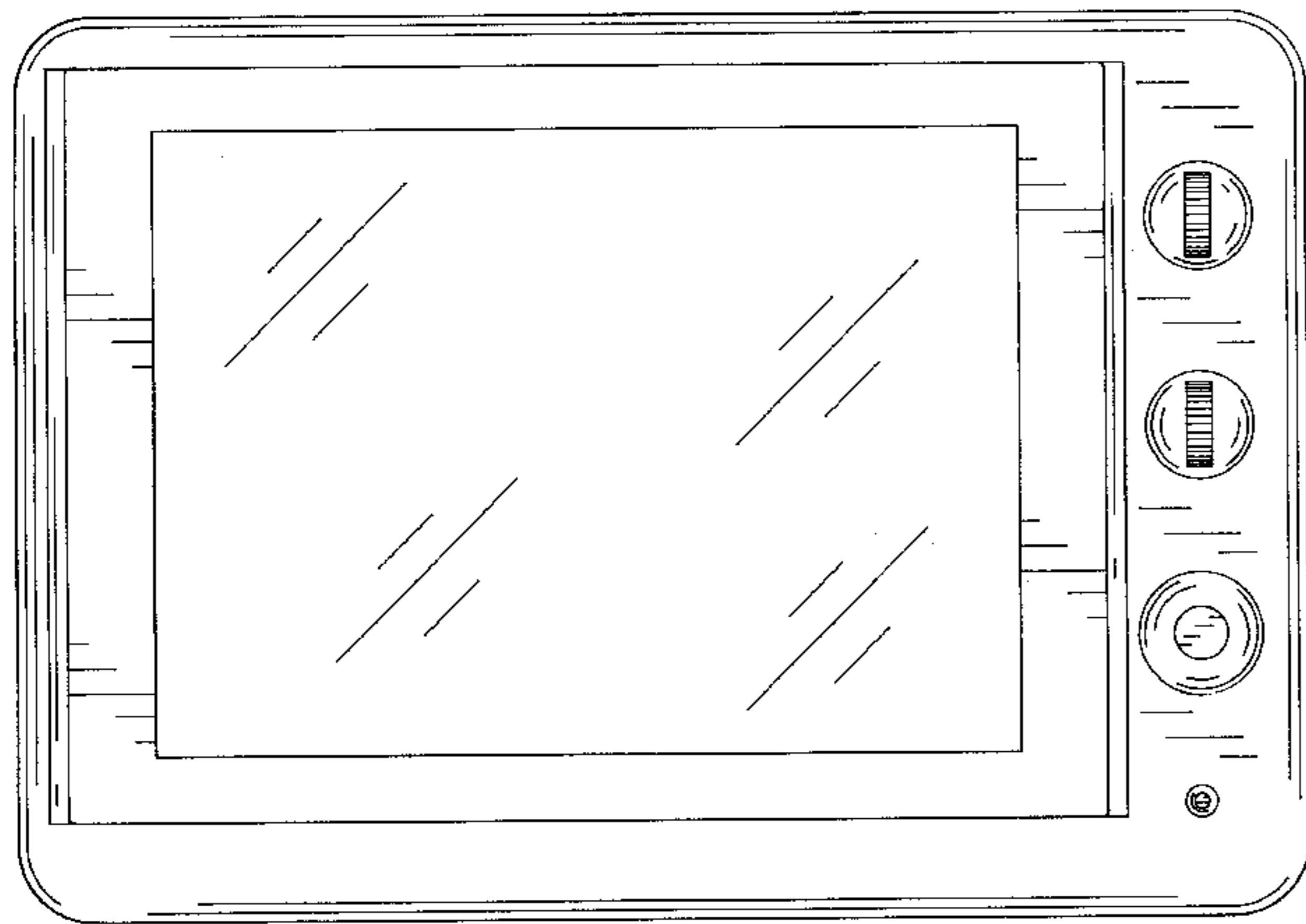
(57) **CLAIM**

The ornamental design for a monitor television, as shown and described.

DESCRIPTION

FIG. 1 is a front elevational view of a monitor television showing our new design;
 FIG. 2 is a rear elevational view thereof;
 FIG. 3 is a top plan view thereof;
 FIG. 4 is a bottom plan view thereof;
 FIG. 5 is a right side elevational view thereof;
 FIG. 6 is a left side elevational view thereof;
 FIG. 7 is a perspective view taken from the front, top and right side of the monitor television; and,
 FIG. 8 is a perspective view taken from the rear, top and right side of the monitor television with the stand opened.

1 Claim, 8 Drawing Sheets



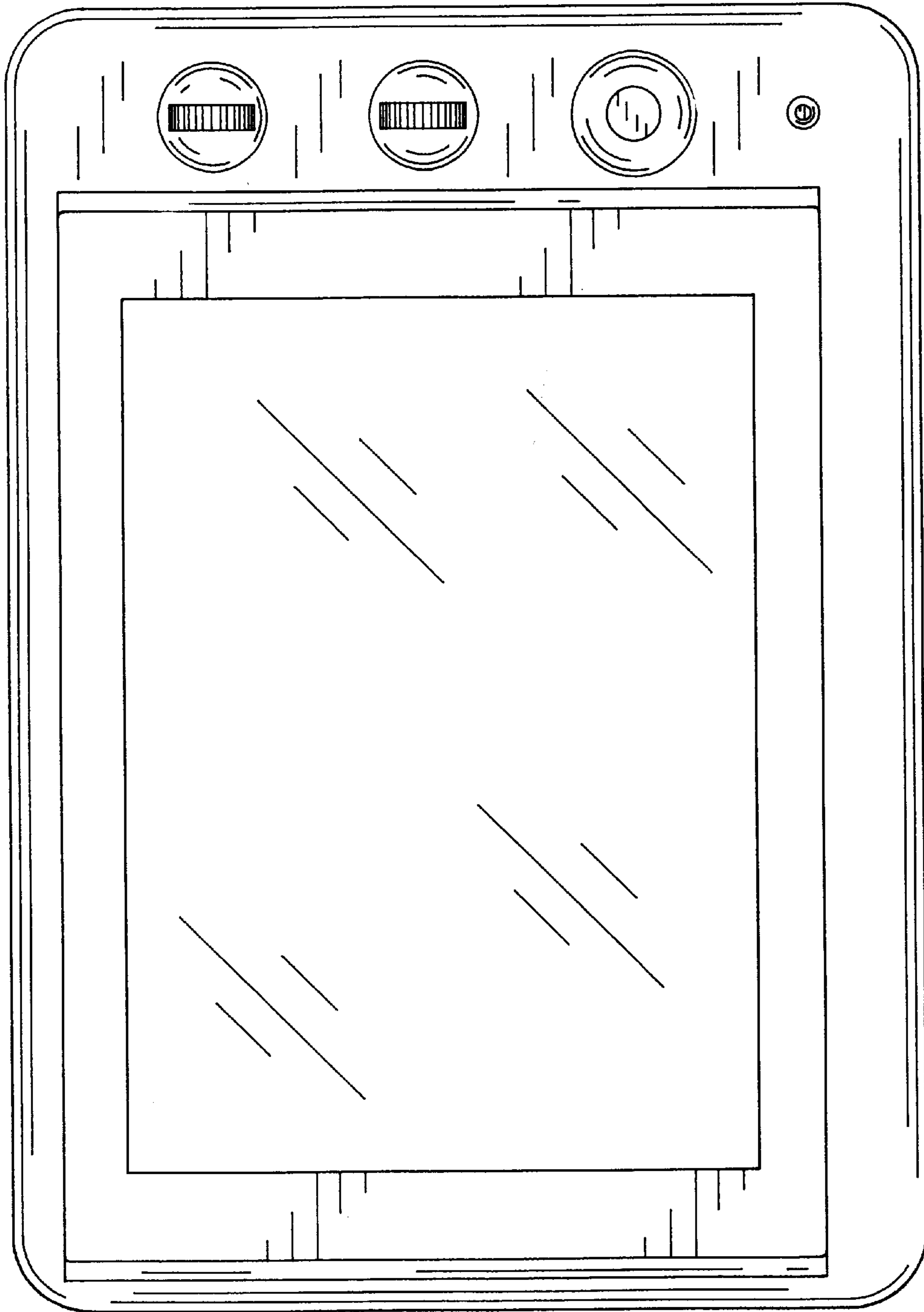


FIG. 1

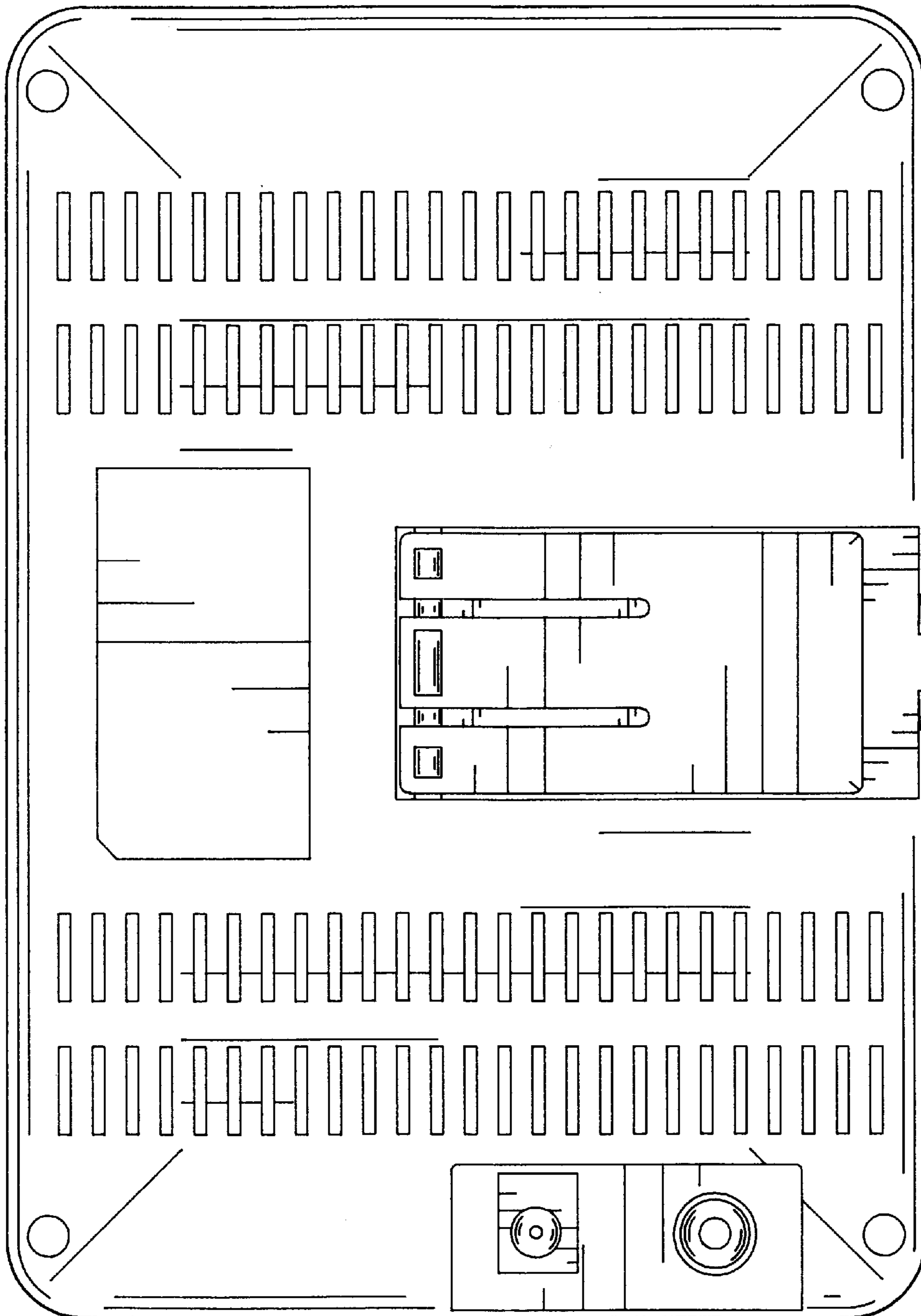


FIG. 2

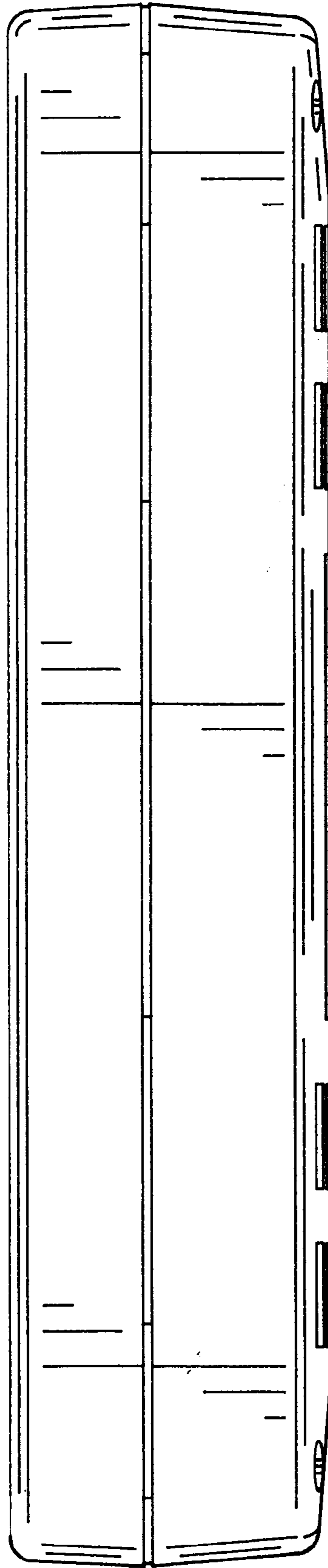


FIG. 3

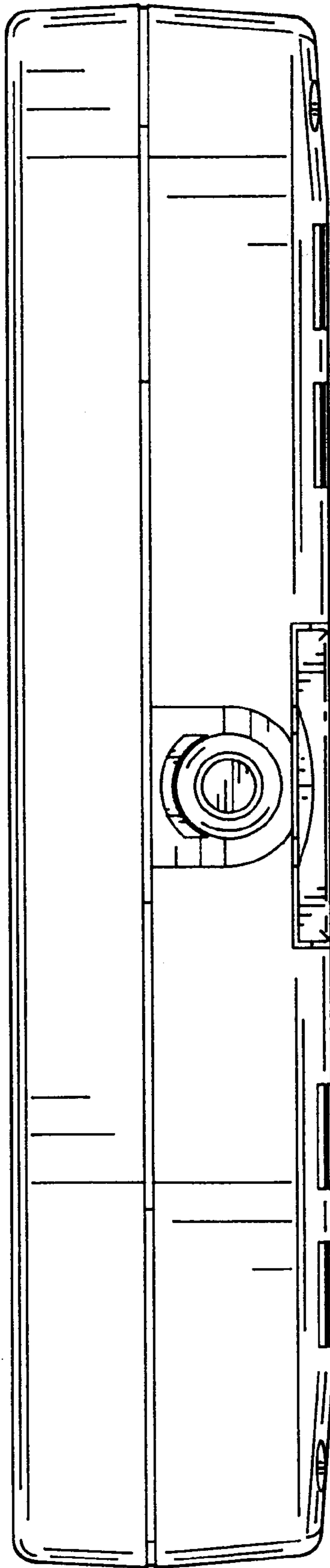


FIG. 4

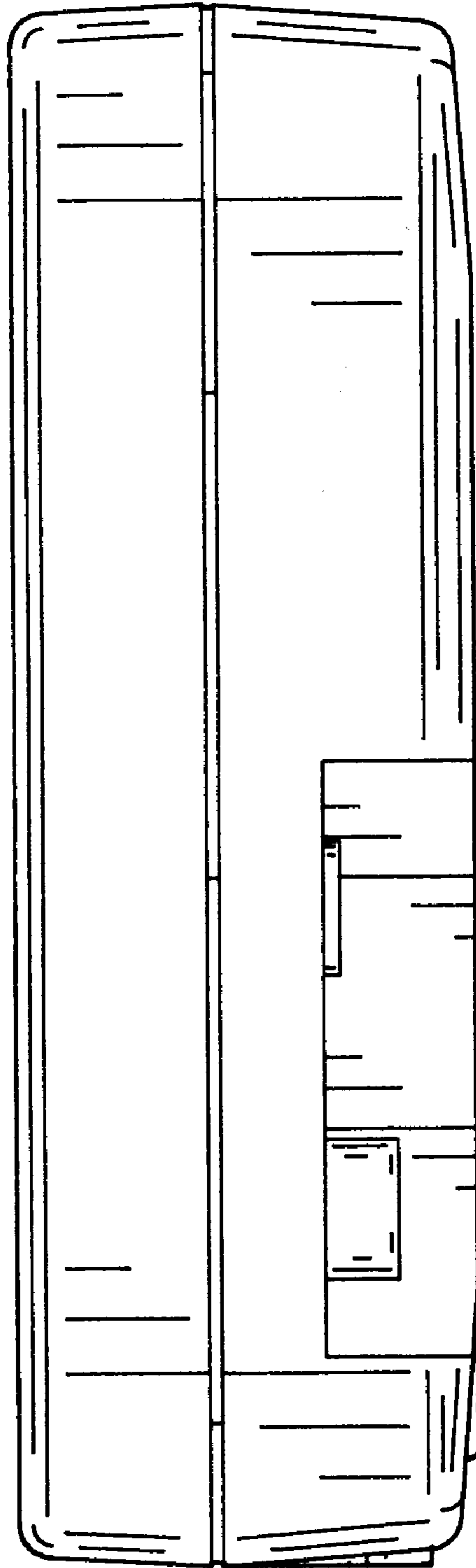


FIG. 5

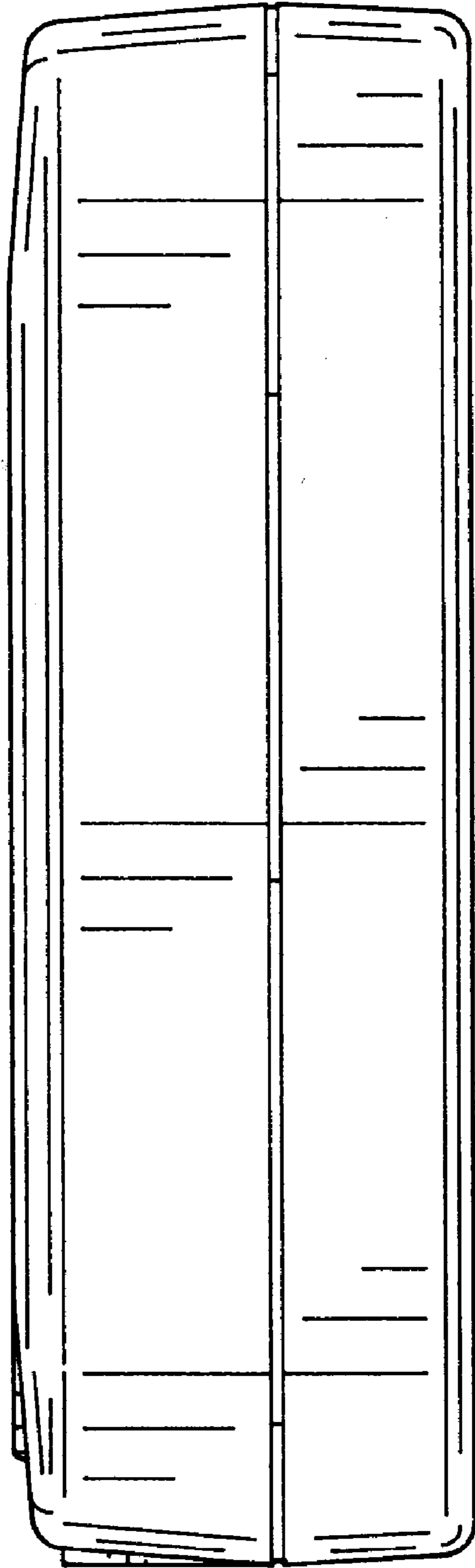


FIG. 6

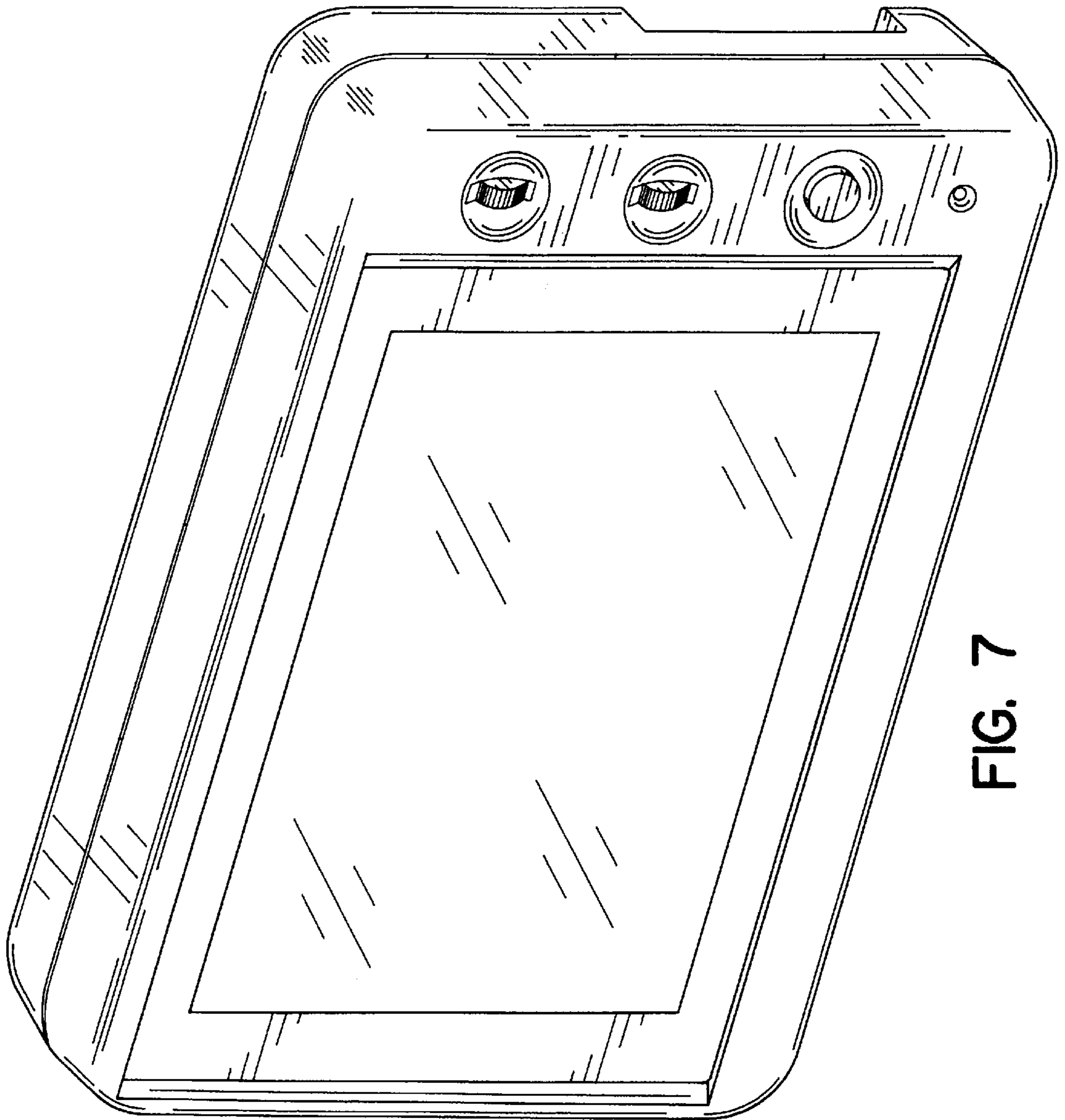


FIG. 7

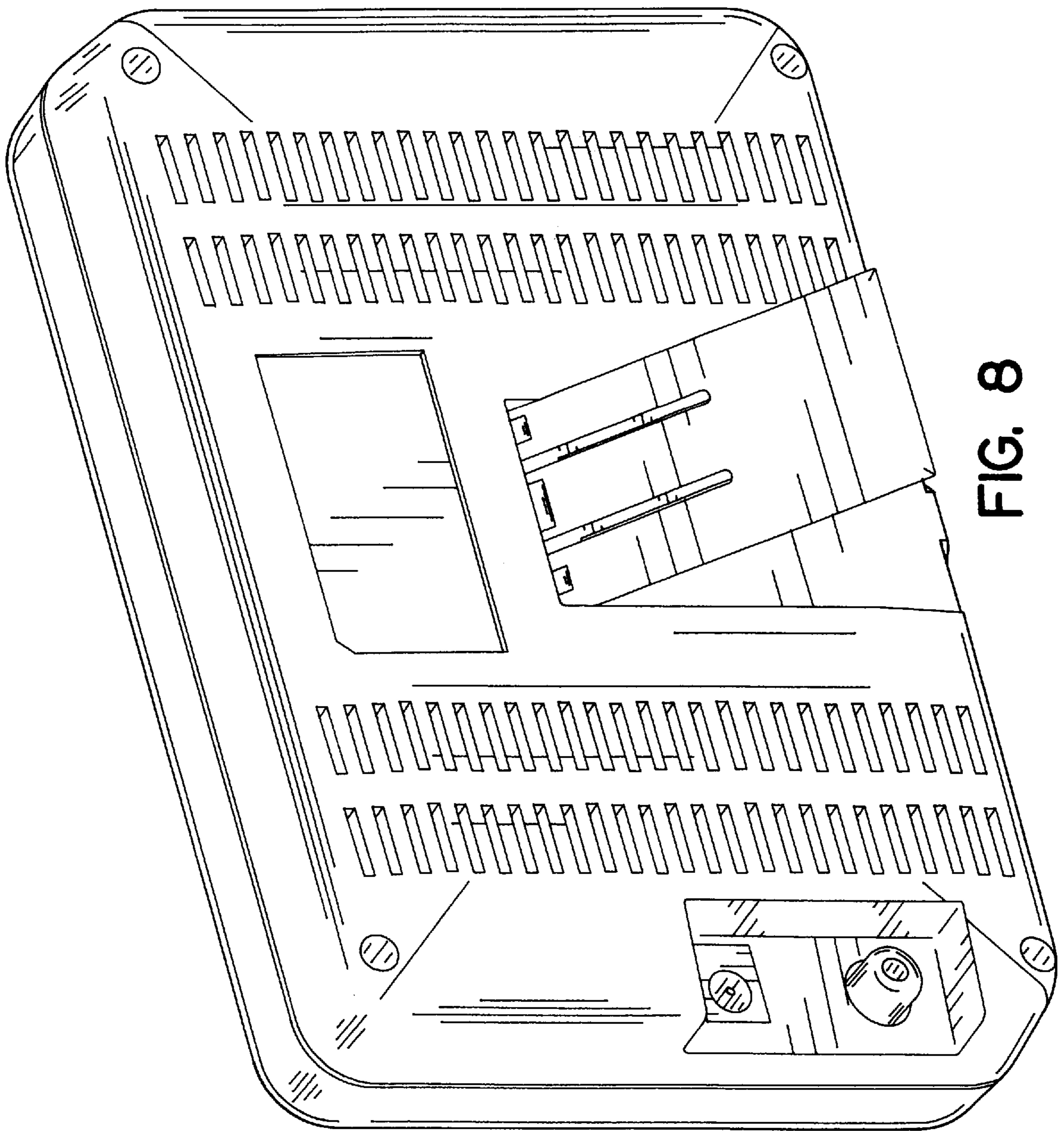


FIG. 8