



US00D438846S

(12) **United States Design Patent**
Bonn

(10) **Patent No.:** **US D438,846 S**

(45) **Date of Patent:** **** Mar. 13, 2001**

(54) **FINGER GRIP KNOB FRONT ELEMENT
FOR AN ELECTRICAL CONTROL AND
SIGNALING UNIT**

D. 362,841 * 10/1995 Roza D13/171
D. 377,337 * 1/1997 Schaeffer D13/171

* cited by examiner

(75) Inventor: **Alfred Bonn**, Bonn (DE)

Primary Examiner—Brian N. Vinson

(73) Assignee: **Moeller GmbH**, Bonn (DE)

(74) *Attorney, Agent, or Firm*—Kenyon & Kenyon

(**) Term: **14 Years**

(57) **CLAIM**

(21) Appl. No.: **29/123,297**

The ornamental design for a finger grip knob front element for an electrical control and signaling unit, as shown and described.

(22) Filed: **May 10, 2000**

Related U.S. Application Data

DESCRIPTION

(62) Division of application No. 29/099,186, filed on Jan. 15, 1999.

FIG. 1 is a perspective view of finger grip knob front element embodying my new design and the showing front and left sides of the front element. The right side of the front element is symmetrical with the left side and the bottom forms no part of the claimed design; and,

(30) **Foreign Application Priority Data**

Jul. 15, 1998 (XH) 122 554 101

FIG. 2 is a side elevational view of the rear of the front element of FIG. 1.

(51) **LOC (7) Cl.** **13-03**

(52) **U.S. Cl.** **D13/174**

(58) **Field of Search** D13/174, 171;
200/237, 238, 252, 275, 293, 329

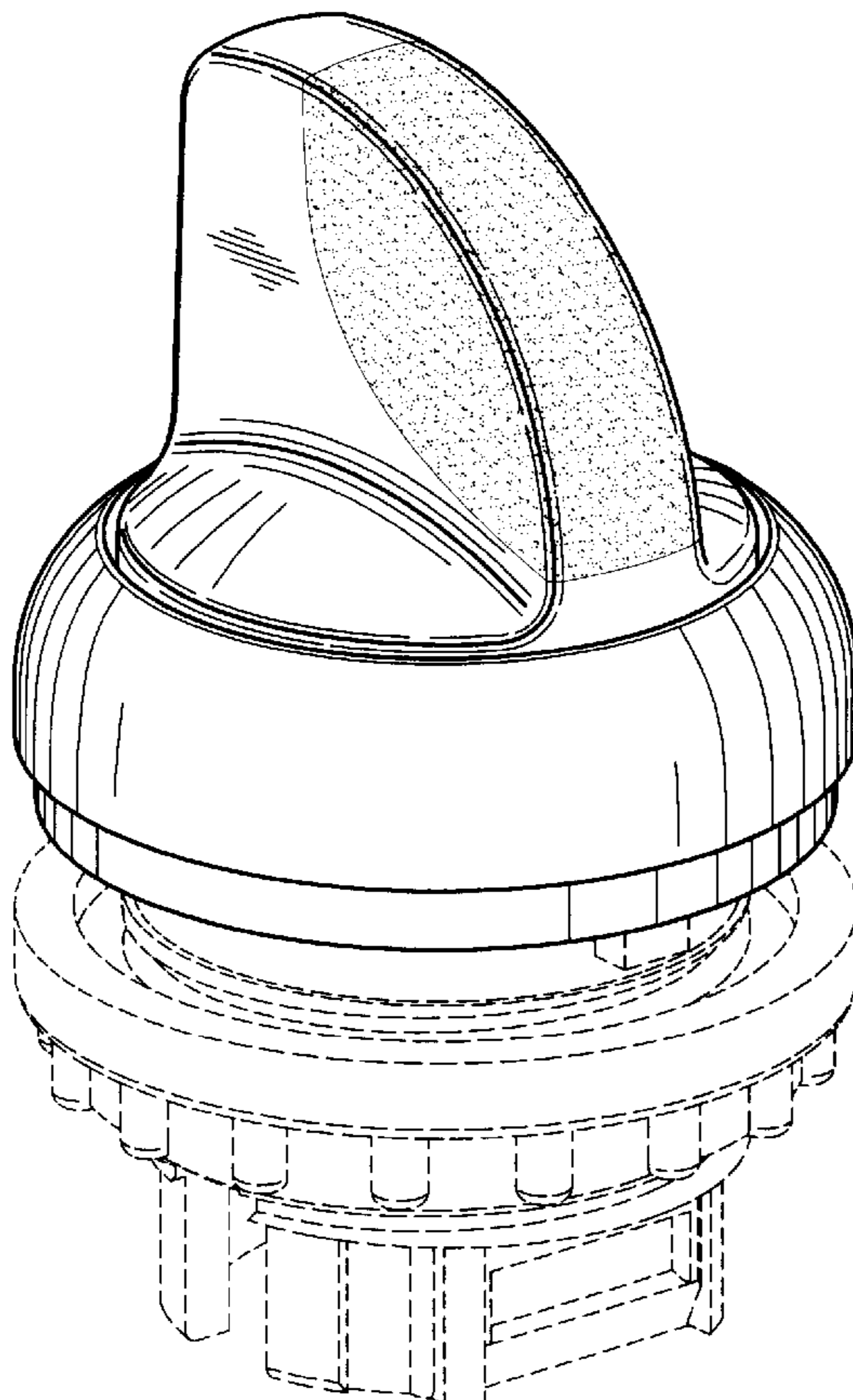
The front elements sit on the electrical control and signaling unit, which is partially shown by dotted lines and which forms no part of the claimed design.

(56) **References Cited**

U.S. PATENT DOCUMENTS

D. 344,930 * 3/1994 Schaeffer D13/171

1 Claim, 1 Drawing Sheet



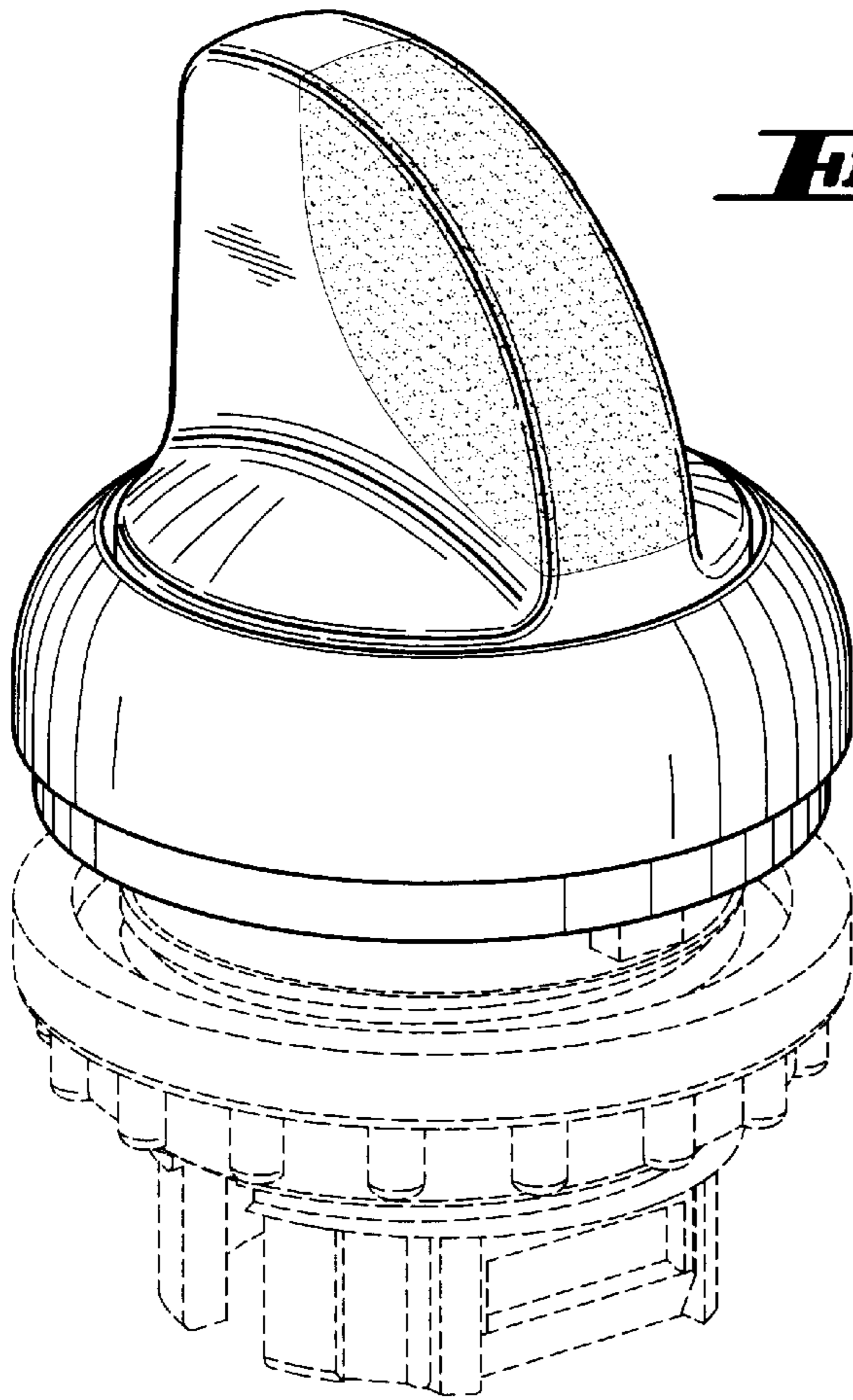


Fig. 1

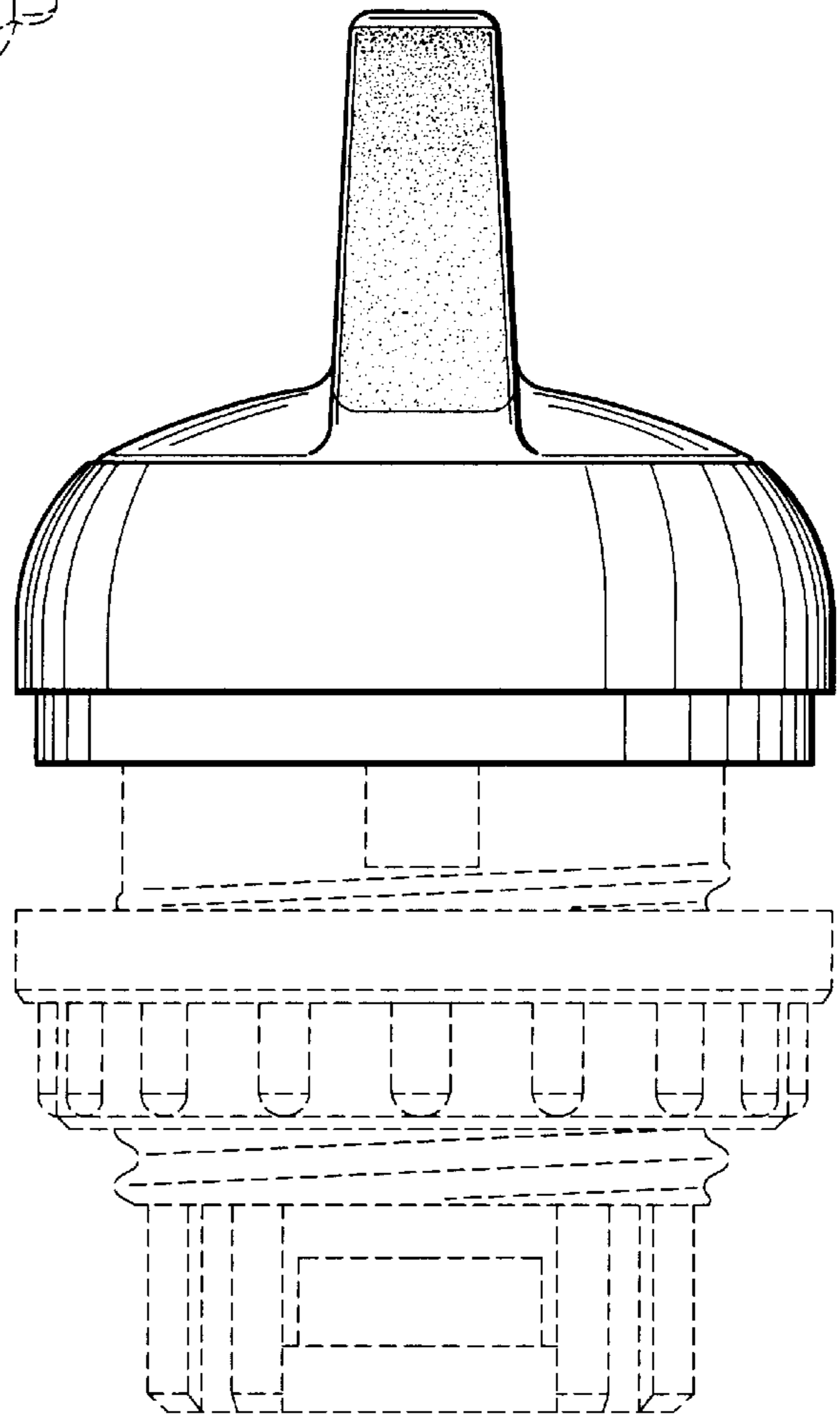


Fig. 2