



US00D438844S

(12) **United States Design Patent**  
**Meyer et al.**

(10) **Patent No.:** **US D438,844 S**

(45) **Date of Patent:** **\*\* Mar. 13, 2001**

(54) **VISUAL LATCHING INDICATOR FOR AN ELECTRICAL BUSHING AND TERMINATOR**

(75) Inventors: **Andrew E. Meyer**, Houston, TX (US);  
**Todd Kim Knapp**; **Frank J. Muench, Jr.**, both of Waukesha, WI (US)

(73) Assignee: **McGraw-Edison Company**, Houston, TX (US)

(\*\*) Term: **14 Years**

(21) Appl. No.: **29/120,946**

(22) Filed: **Mar. 30, 2000**

**Related U.S. Application Data**

(63) Continuation of application No. 08/821,760, filed on Mar. 20, 1997, which is a continuation of application No. 08/262,460, filed on Jun. 20, 1994, now abandoned.

(51) **LOC (7) Cl.** ..... **13-03**

(52) **U.S. Cl.** ..... **D13/155**; D13/154

(58) **Field of Search** ..... D13/154, 133;  
174/167, 152 R; 439/184, 185, 921

(56) **References Cited**

**U.S. PATENT DOCUMENTS**

2,892,991	6/1959	Beebee et al.	285/93
4,113,339	9/1978	Eley	439/183
4,353,611	* 10/1982	Siebens et al.	439/921 X
4,464,004	* 8/1984	Hegyí et al.	439/182
4,773,872	* 9/1988	Borgstrom et al.	439/185
4,793,637	12/1988	Laipply et al.	285/39
4,822,291	* 4/1989	Cunningham	439/921 X

4,863,392	*	9/1989	Borgstrom et al.	439/185
4,913,658	*	4/1990	Borgstrom et al.	439/185
5,266,041	*	11/1993	Luca	439/184
5,445,533	*	8/1995	Roscizewski et al.	439/184
5,525,069	*	6/1996	Roscizewski et al.	439/184

**FOREIGN PATENT DOCUMENTS**

2254493	10/1992	(GB)	439/181
---------	---------	------	---------

\* cited by examiner

*Primary Examiner*—Joel Sincavage

(74) *Attorney, Agent, or Firm*—Fish & Richardson P.C.

(57) **CLAIM**

The ornamental design for a visual latching indicator for an electrical bushing and terminator, as shown and described.

**DESCRIPTION**

FIG. 1 is a perspective view of an electrical bushing and terminator.

FIG. 2 is a front view of the electrical bushing and terminator of FIG. 1.

FIG. 3 is a rear view of the electrical bushing and terminator of FIG. 1.

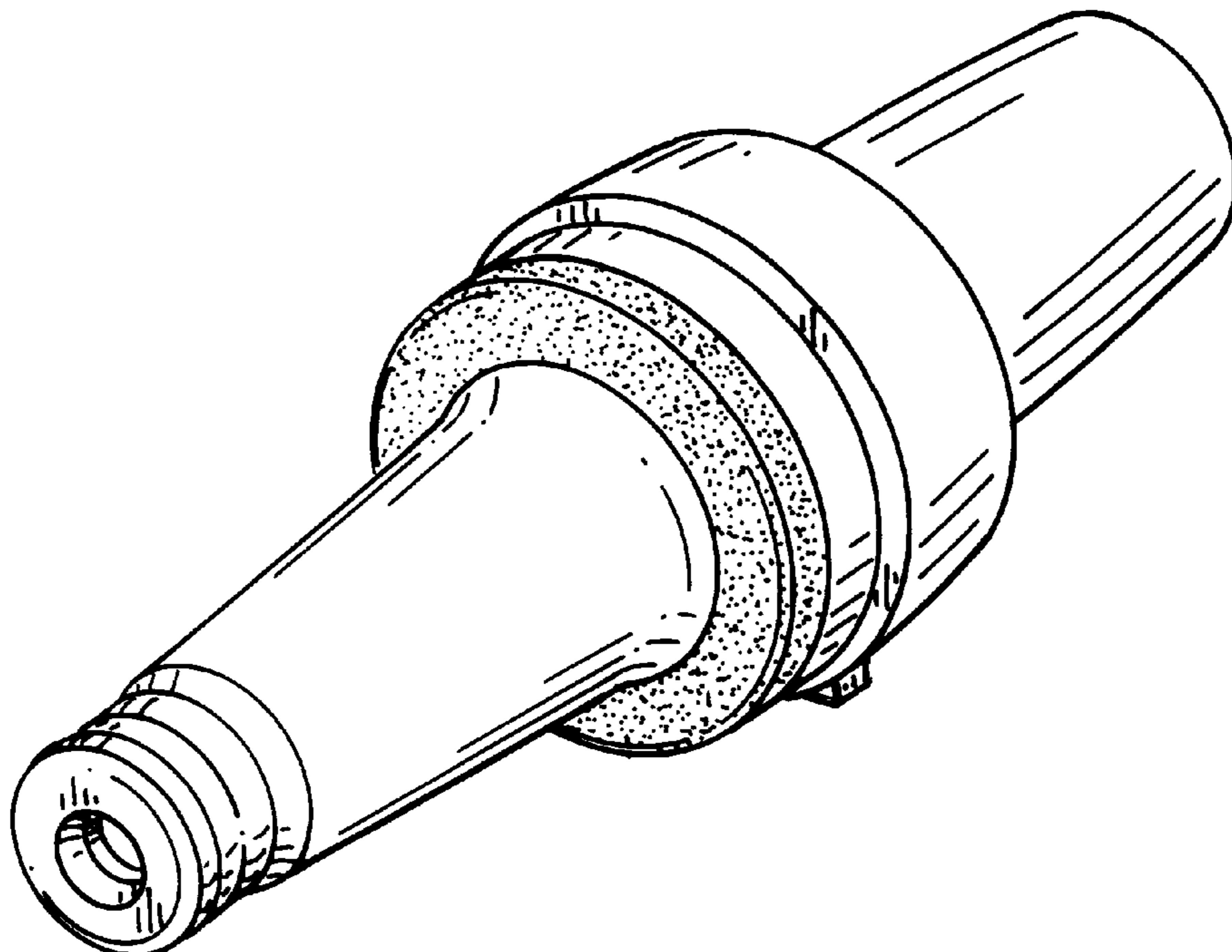
FIG. 4 is a side view of the electrical bushing and terminator of FIG. 1.

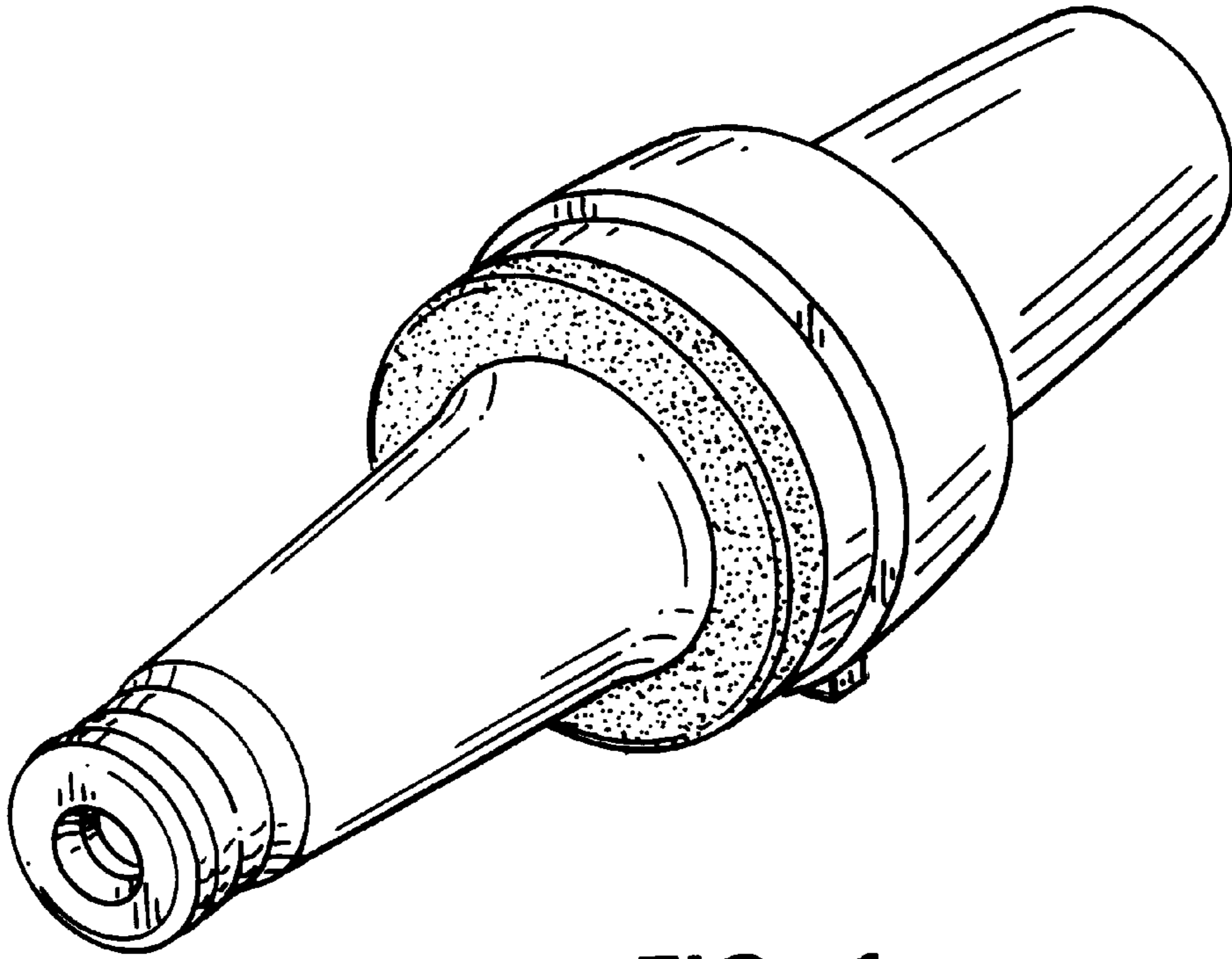
FIG. 5 is a side view of the electrical bushing and terminator of FIG. 1, as seen from the opposite side as that illustrated in FIG. 4.

FIG. 6 is a bottom view of the electrical bushing and terminator of FIG. 1; and,

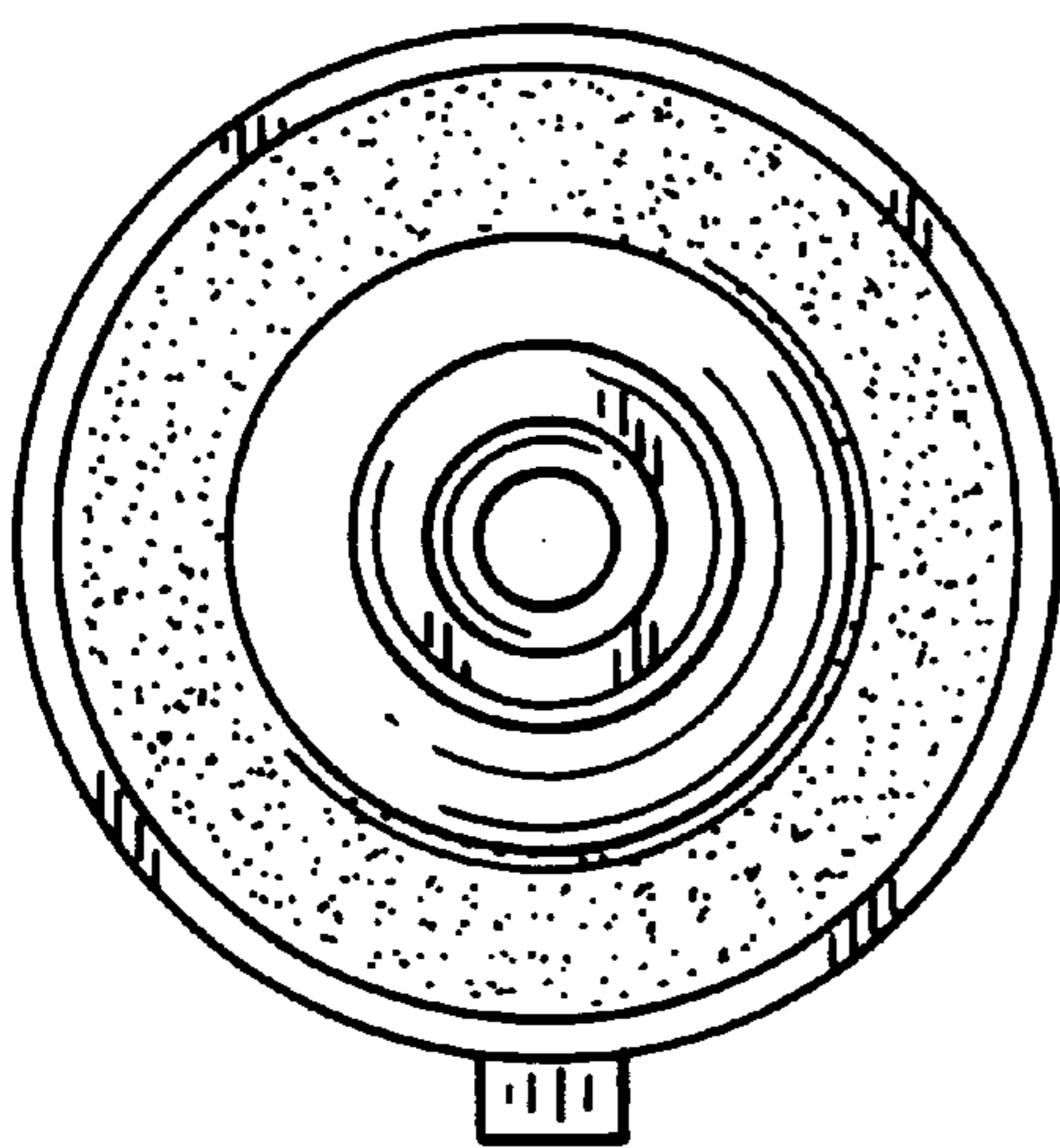
FIG. 7 is a top view of the electrical bushing and terminator of FIG. 1.

**1 Claim, 2 Drawing Sheets**

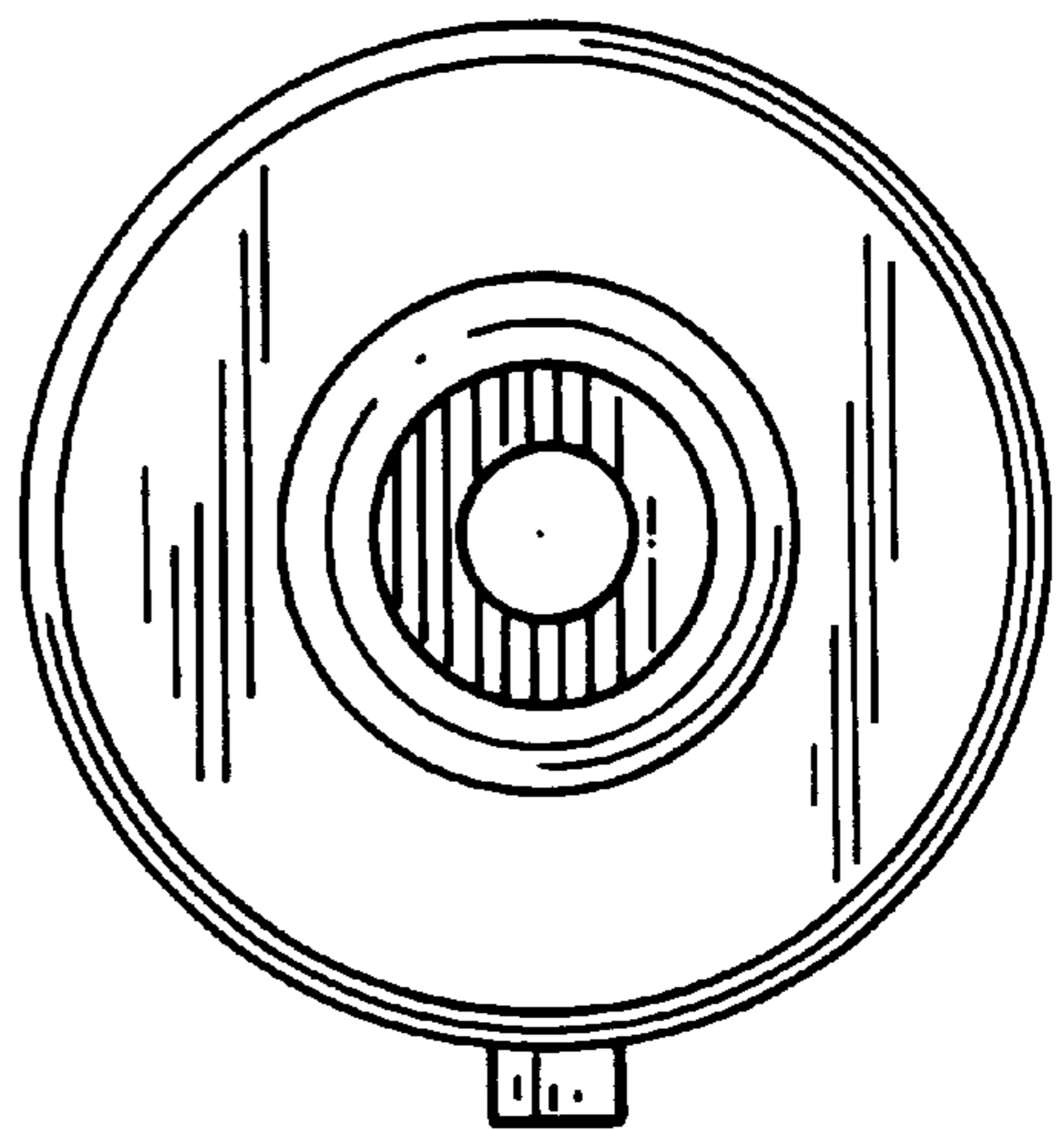




**FIG. 1**



**FIG. 2**



**FIG. 3**

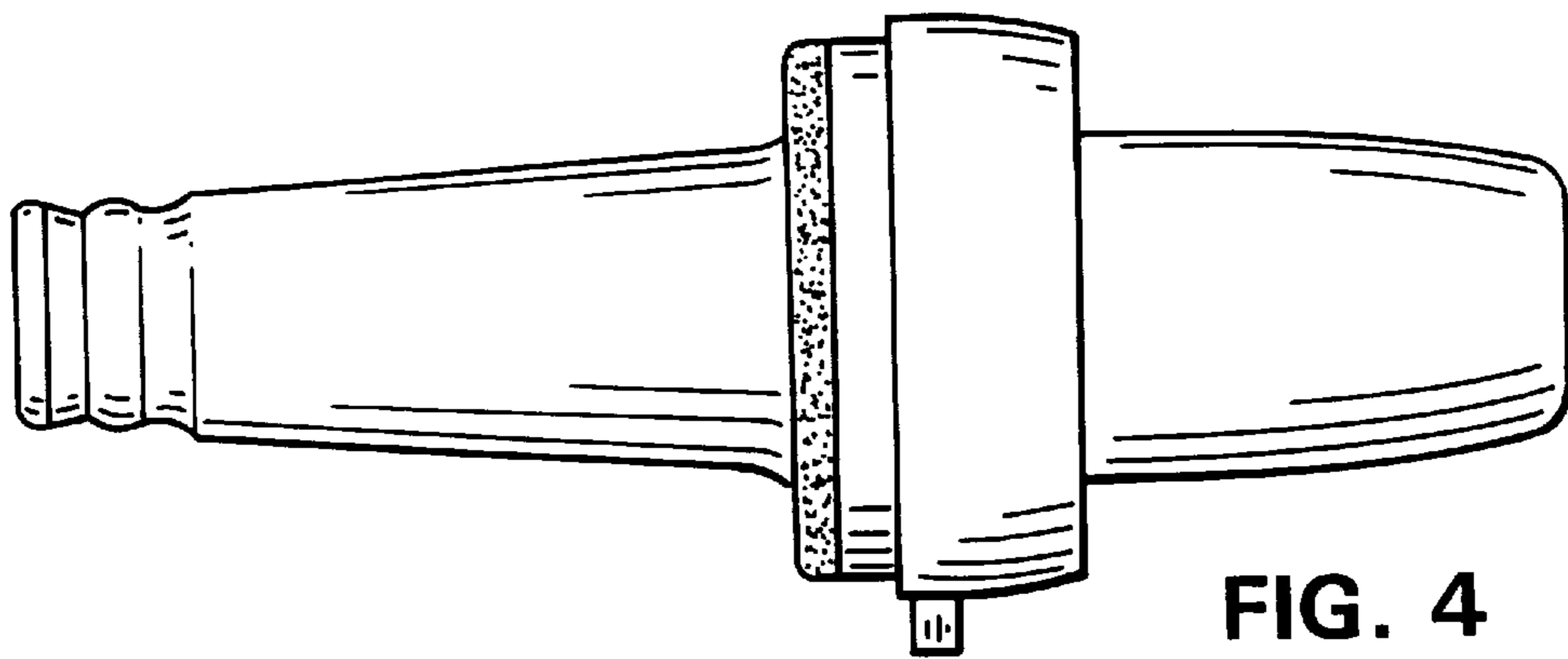


FIG. 4

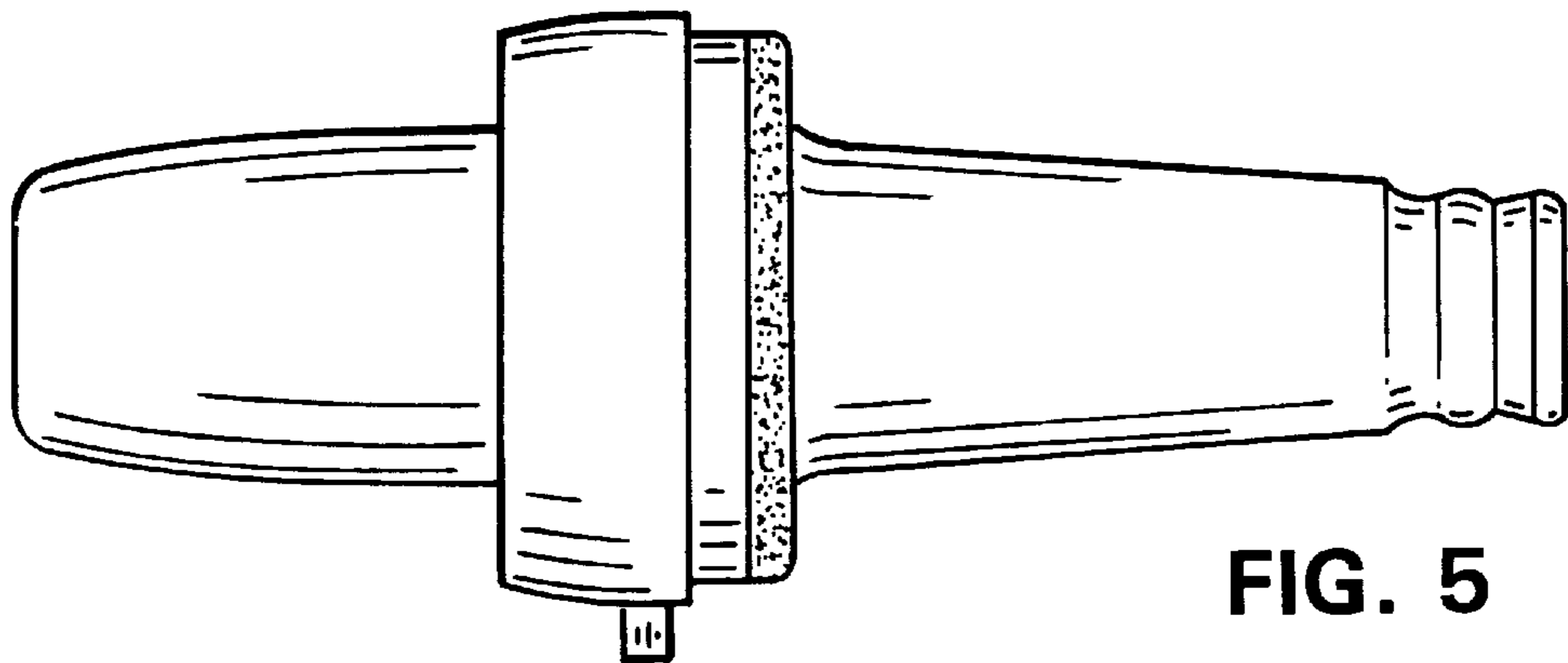


FIG. 5

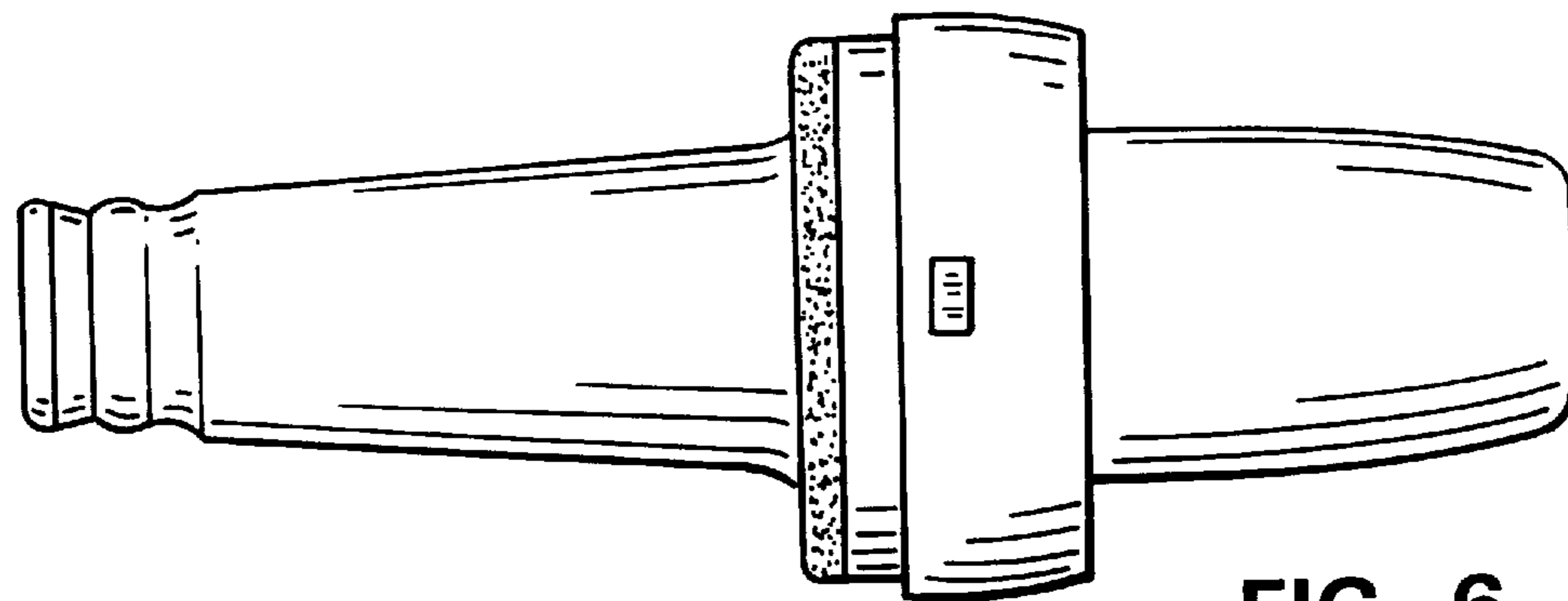


FIG. 6

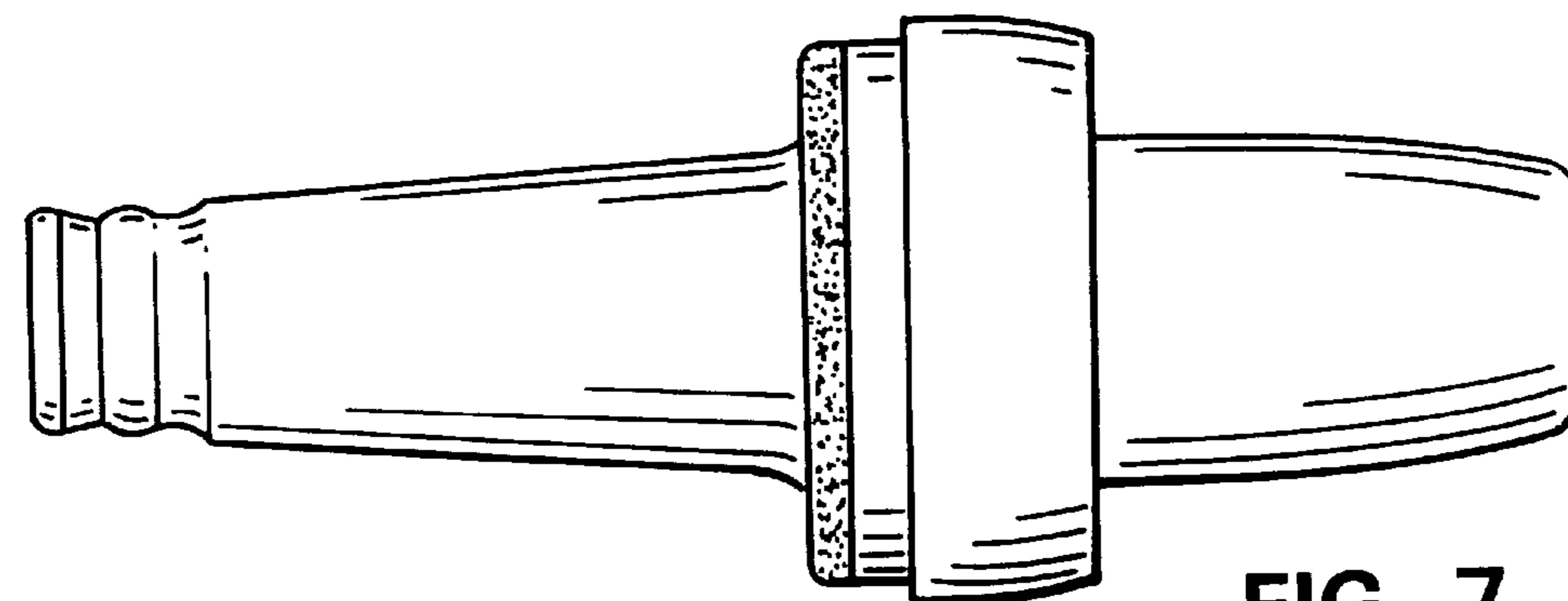


FIG. 7