



US00D438839S

(12) **United States Design Patent**
Wiedmann

(10) **Patent No.:** **US D438,839 S**

(45) **Date of Patent:** **** Mar. 13, 2001**

(54) **VEHICLE CANOPY**

(76) **Inventor:** **James B. Wiedmann**, 5423 W.
Whispering Wind, Glendale, AZ (US)
85310

(**) **Term:** **14 Years**

(21) **Appl. No.:** **29/123,990**

(22) **Filed:** **May 30, 2000**

(51) **LOC (7) Cl.** **12-16**

(52) **U.S. Cl.** **D12/401**

(58) **Field of Search** D12/401, 400,
D12/16, 133; D25/56; 296/210, 216; 280/DIG. 5,
DIG. 6

(56) **References Cited**

U.S. PATENT DOCUMENTS

D. 236,098	*	7/1975	Bedel	D12/16
D. 245,592	*	8/1977	Davidson	D12/401
D. 312,931	*	12/1990	Westfall et al.	D12/133 X
D. 319,203	*	8/1991	Tisten et al.	D12/401
D. 330,350	*	10/1992	Maypole et al.	D12/401
D. 362,423	*	9/1995	Thomas, Jr.	D12/401
D. 367,630	*	3/1996	McWayne	D12/133

D. 381,953	*	8/1997	Collins et al.	D12/401
D. 394,637	*	5/1998	Camiano	D12/401
3,908,777	*	9/1975	Davidson	280/DIG. 5
4,332,415	*	6/1982	Williams	280/DIG. 5 X
5,094,500	*	3/1992	Maypole et al.	280/DIG. 5 X

* cited by examiner

Primary Examiner—Stacia Cadmus

(74) *Attorney, Agent, or Firm*—H. Gordon Shields

(57) **CLAIM**

The ornamental design for vehicle canopy, as shown and described.

DESCRIPTION

FIG. 1 is a right front perspective of a vehicle canopy embodying my new ornamental design.

FIG. 2 is a front elevational view thereof.

FIG. 3 is a left elevational view thereof.

FIG. 4 is a rear plan view thereof.

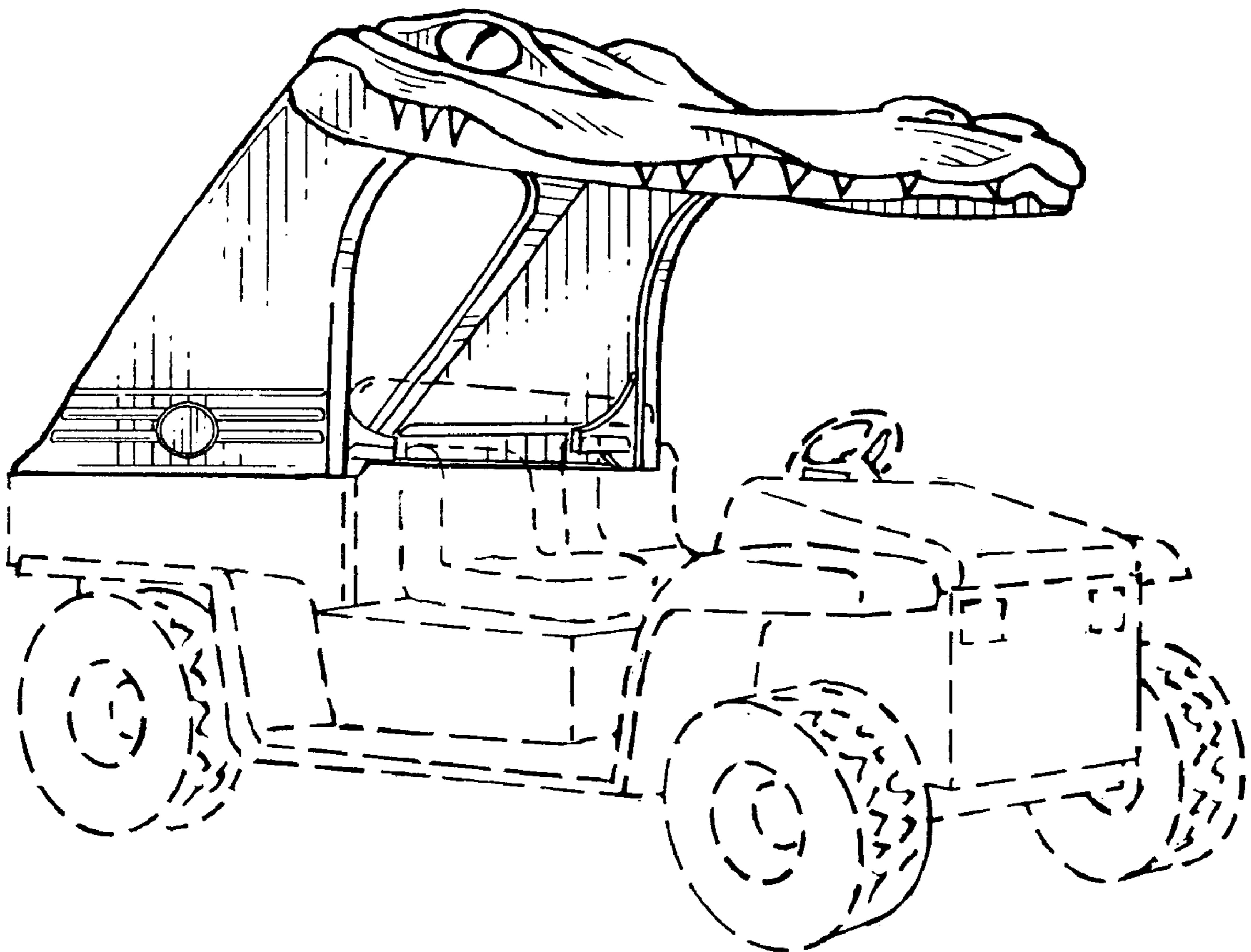
FIG. 5 is a right side view thereof.

FIG. 6 is a top view thereof; and,

FIG. 7 is a bottom view thereof.

The broken line showing of environment is for illustrative purposes only and forms no part of the claimed design.

1 Claim, 2 Drawing Sheets



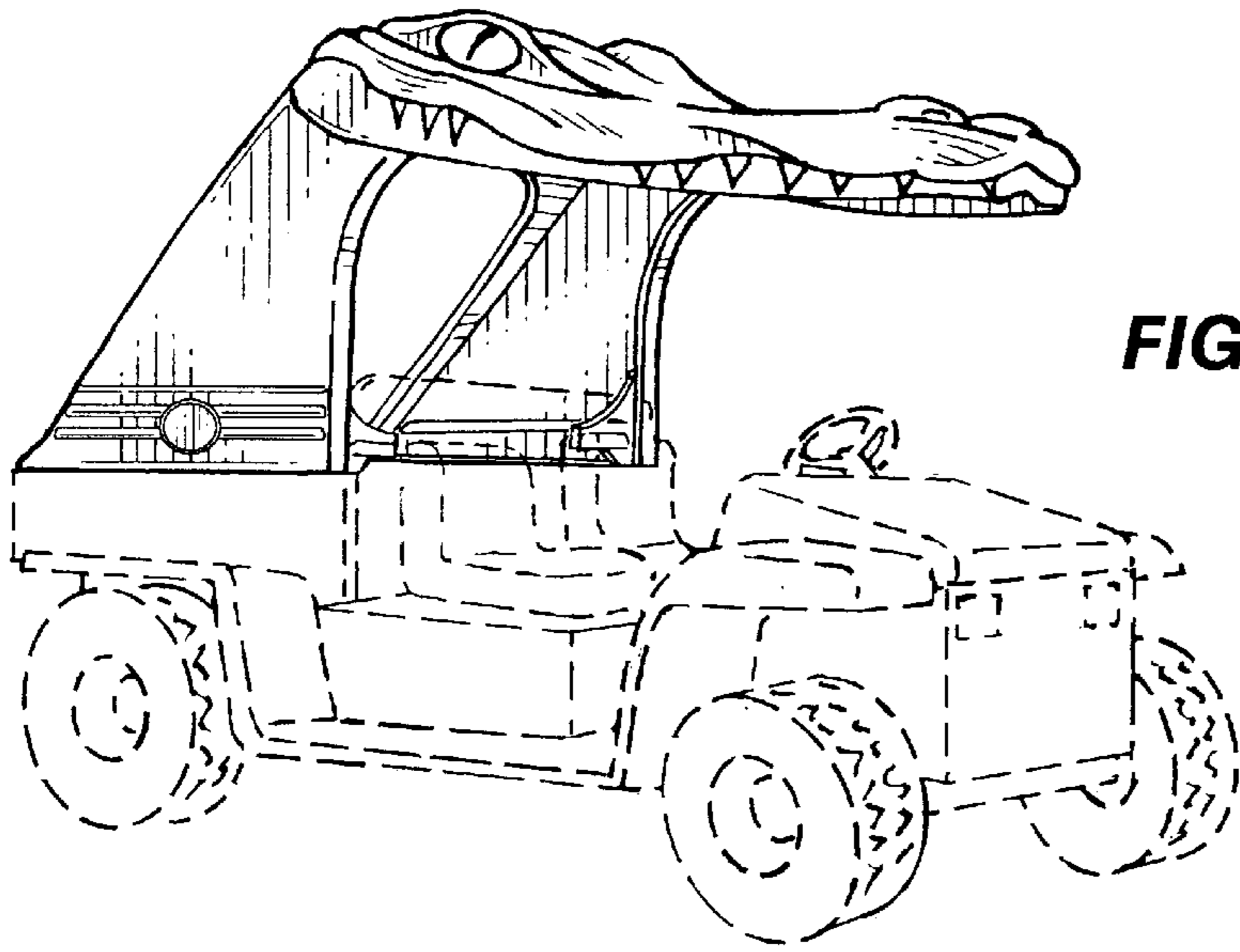


FIG. 1.

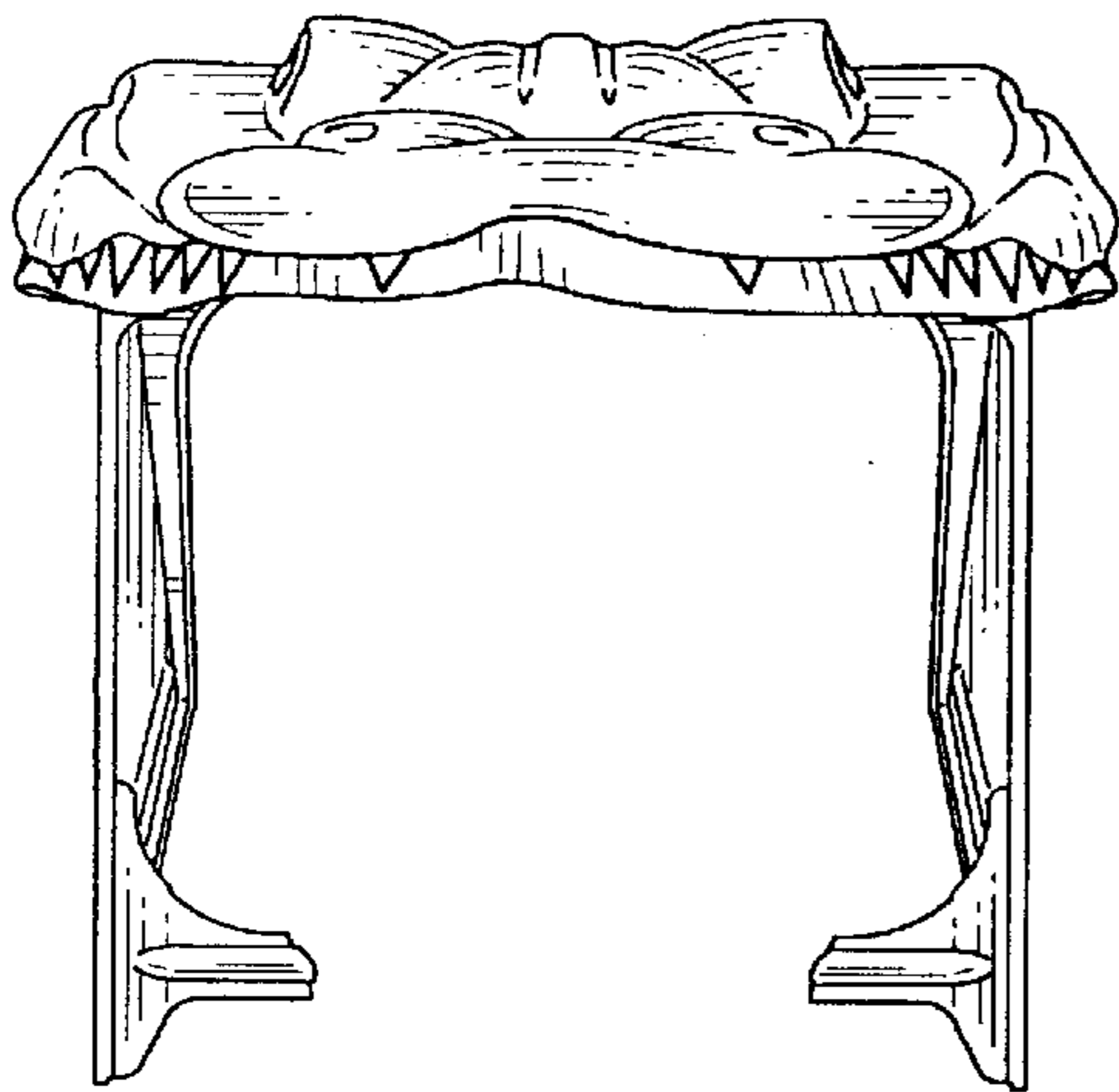


FIG. 2.

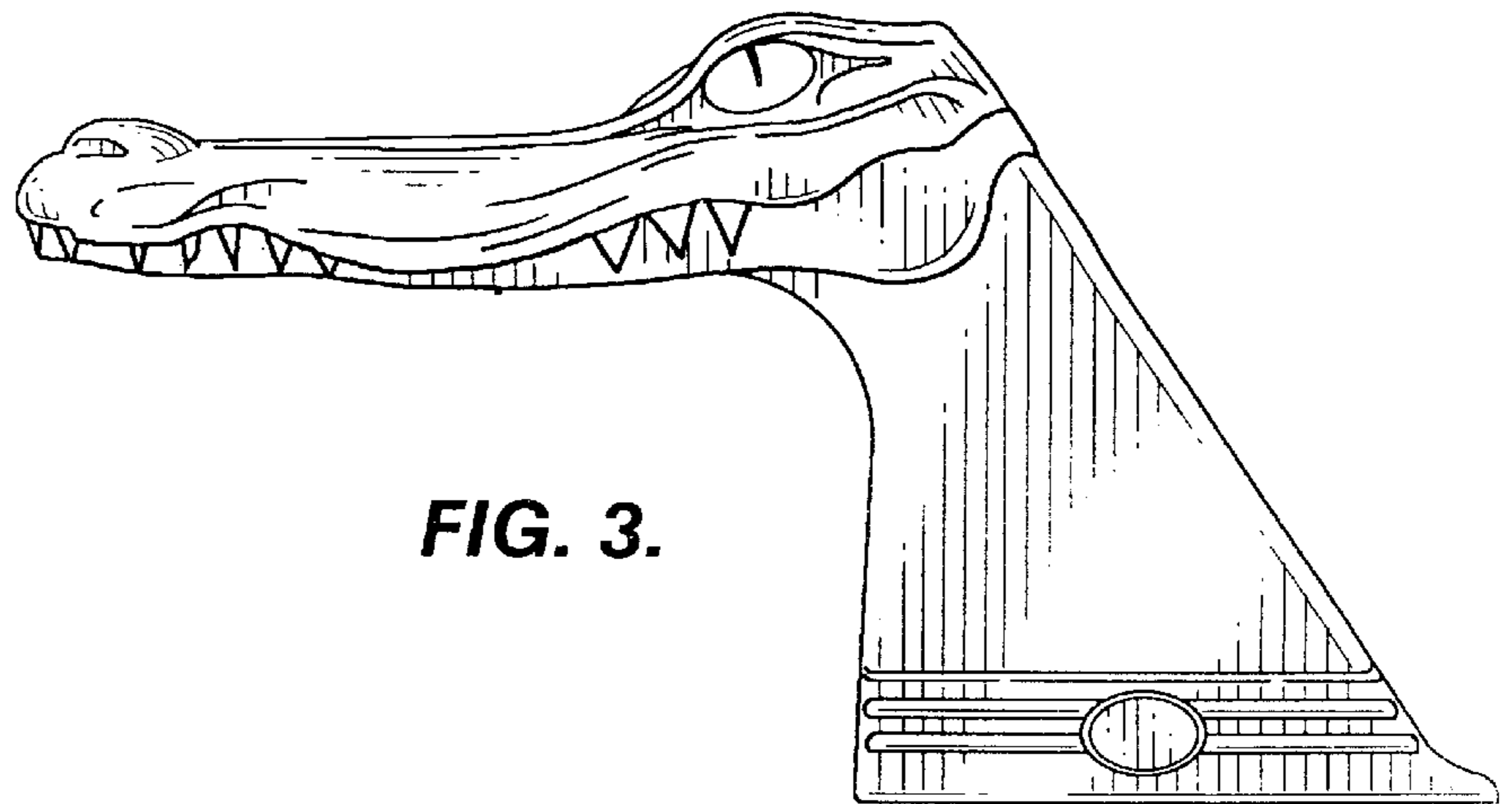


FIG. 3.

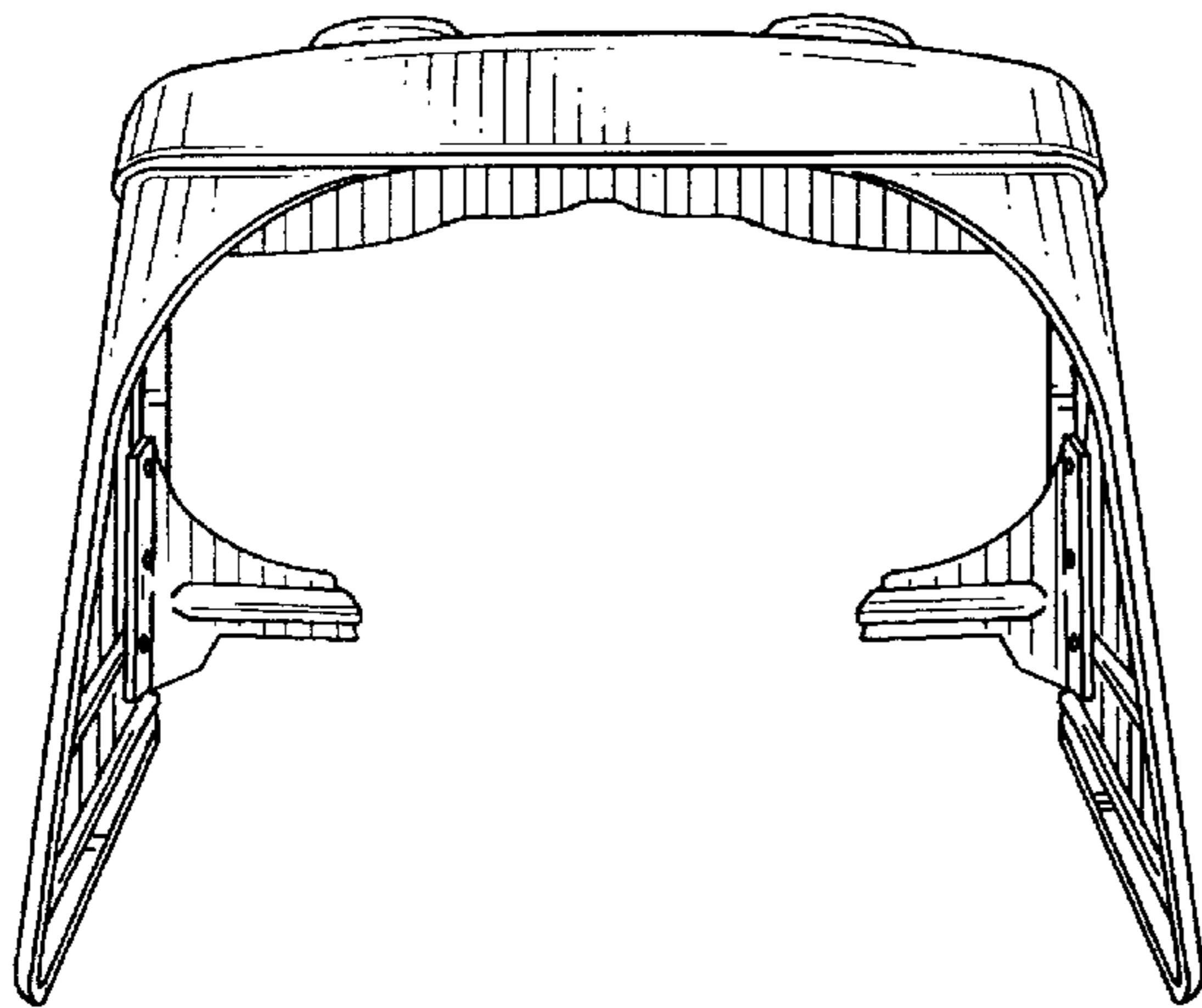


FIG. 4.



FIG. 5.

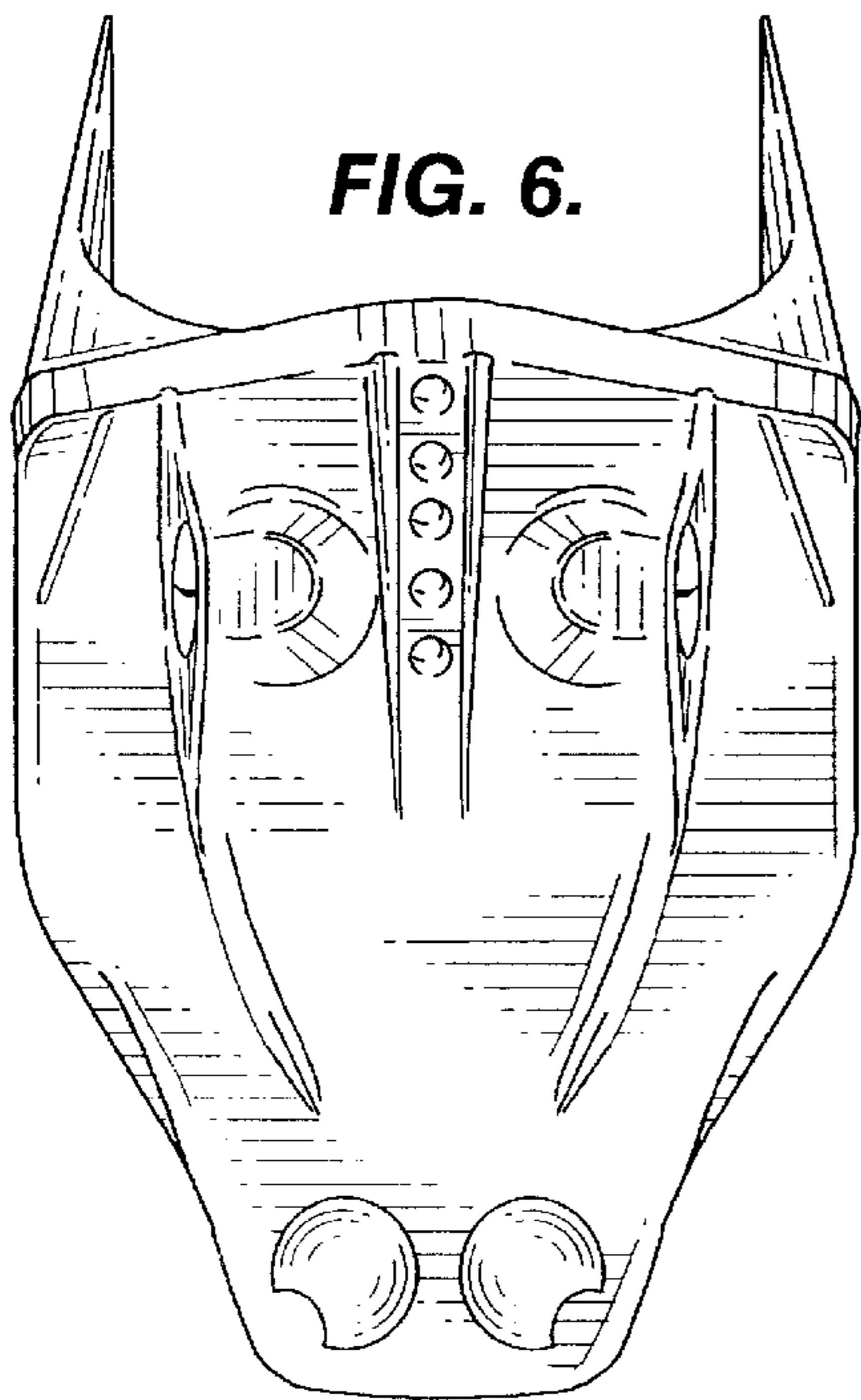


FIG. 6.

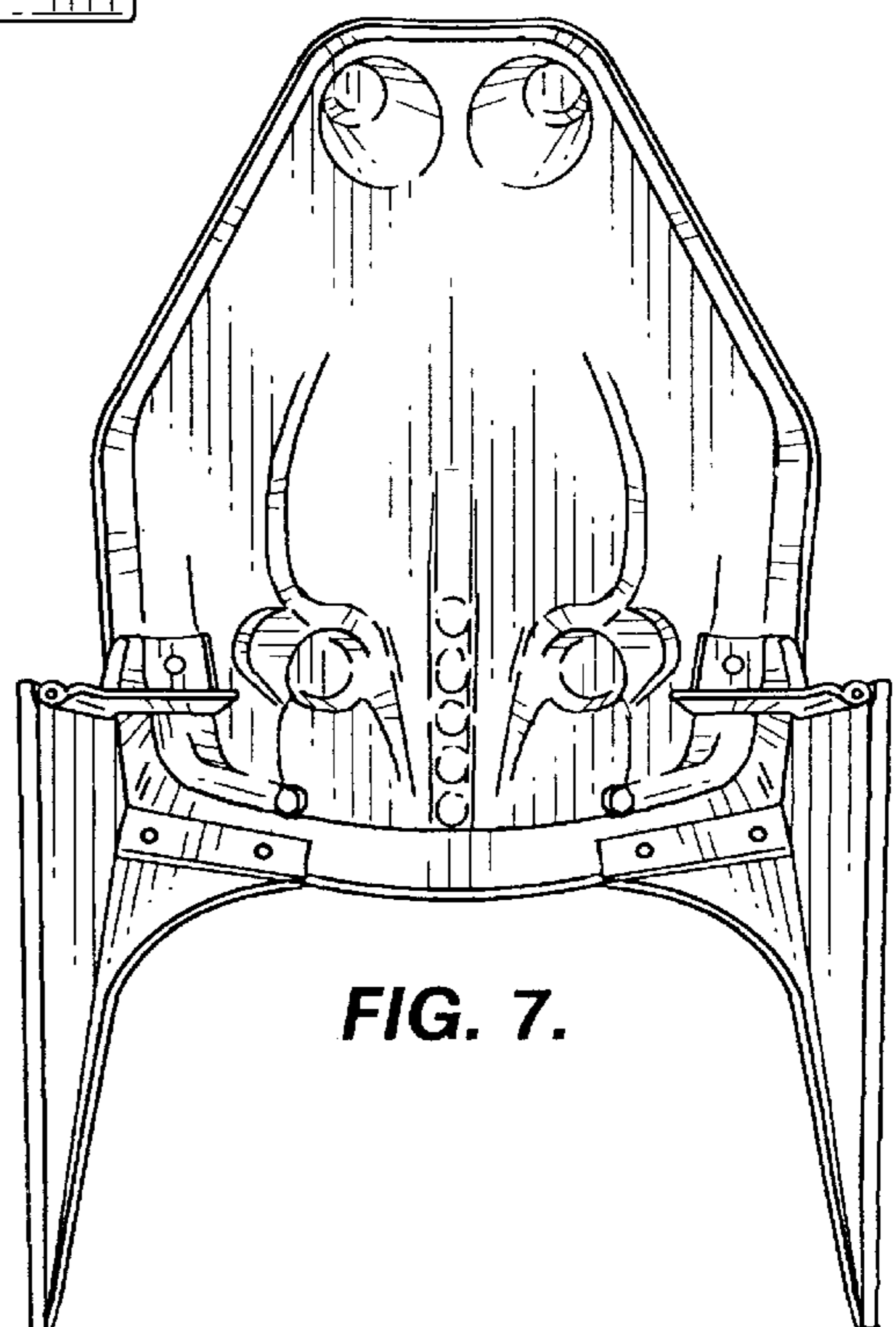


FIG. 7.