



US00D438838S

(12) **United States Design Patent**
Mele

(10) **Patent No.:** **US D438,838 S**

(45) **Date of Patent:** **** Mar. 13, 2001**

(54) **HOSE POWERED WATERCRAFT**

(76) Inventor: **Peter Mele**, P.O. Box 533, Crown Point, NY (US) 12928

(**) Term: **14 Years**

(21) Appl. No.: **29/119,422**

(22) Filed: **Feb. 29, 2000**

(51) **LOC (7) Cl.** **12-06**

(52) **U.S. Cl.** **D12/316; D21/803**

(58) **Field of Search** **D12/300-318;**
D21/801, 803; 441/80, 88, 90, 91, 99, 96,
66, 67; 114/345, 346; 440/26, 30, 31

(56) **References Cited**

U.S. PATENT DOCUMENTS

D. 175,913 * 10/1955 Rogalla D12/316

D. 217,194 * 4/1970 Taylor D12/316

D. 219,157 * 11/1970 Barnes D12/316

D. 386,142 * 11/1997 Peterson D12/316

3,045,264 * 7/1962 Smith 441/67

* cited by examiner

Primary Examiner—Kay H. Chin

(57) **CLAIM**

The ornamental design for a hose powered watercraft, as shown.

DESCRIPTION

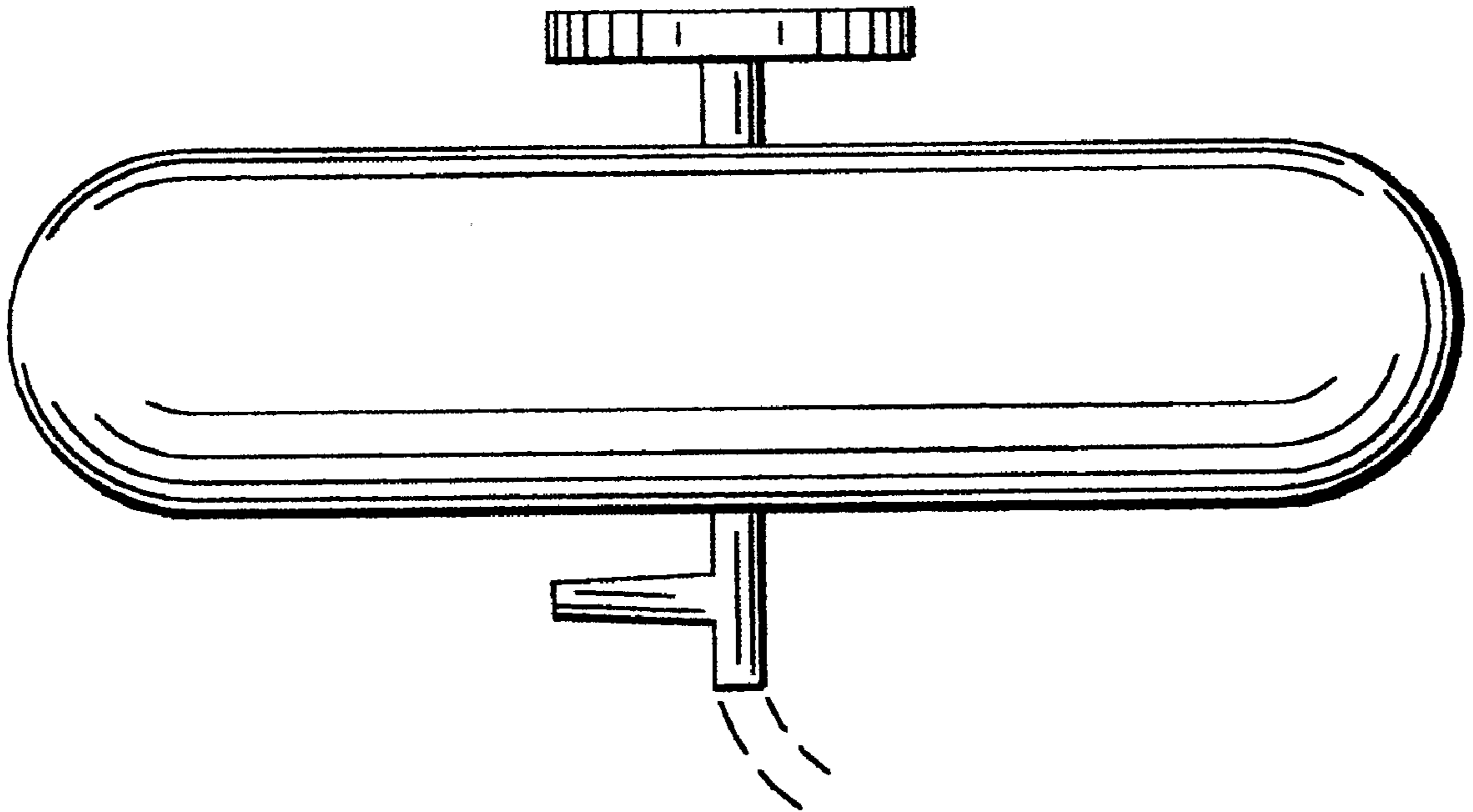
FIG. 1 is a front view.

FIG. 2 is a side view.

FIG. 3 is a top view; and,

FIG. 4 is a bottom view.

1 Claim, 2 Drawing Sheets



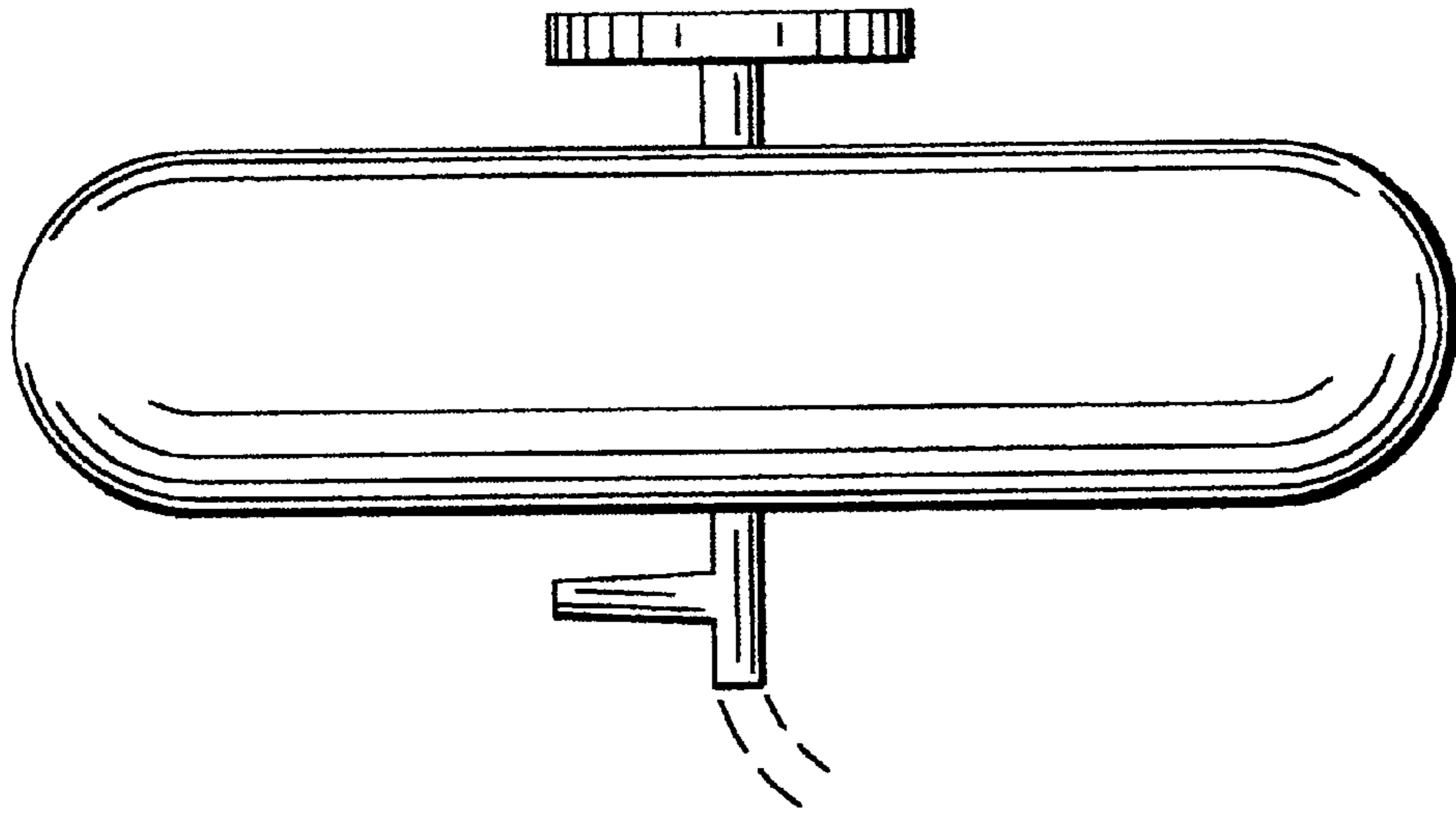


FIG. 1

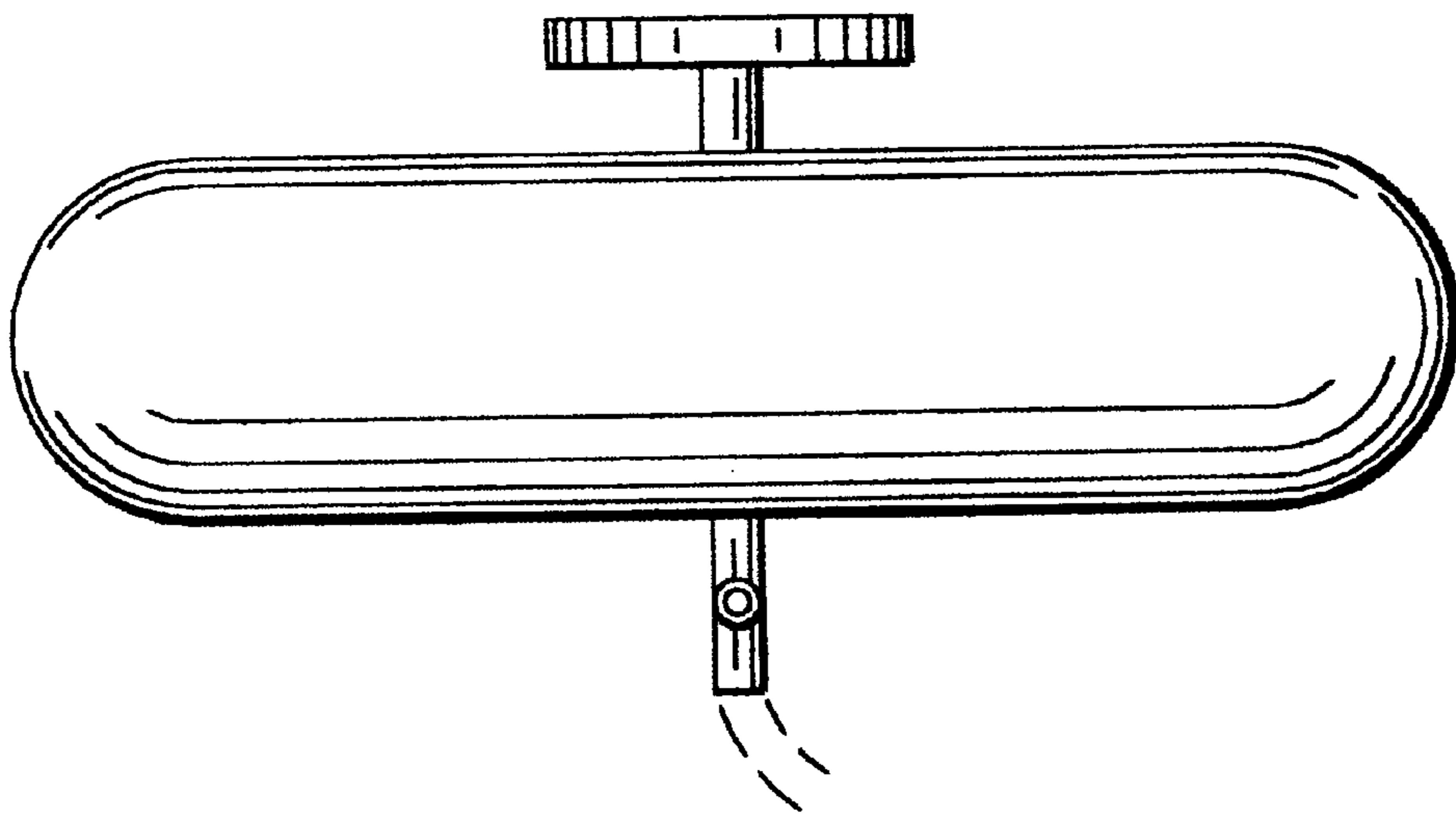


FIG. 2

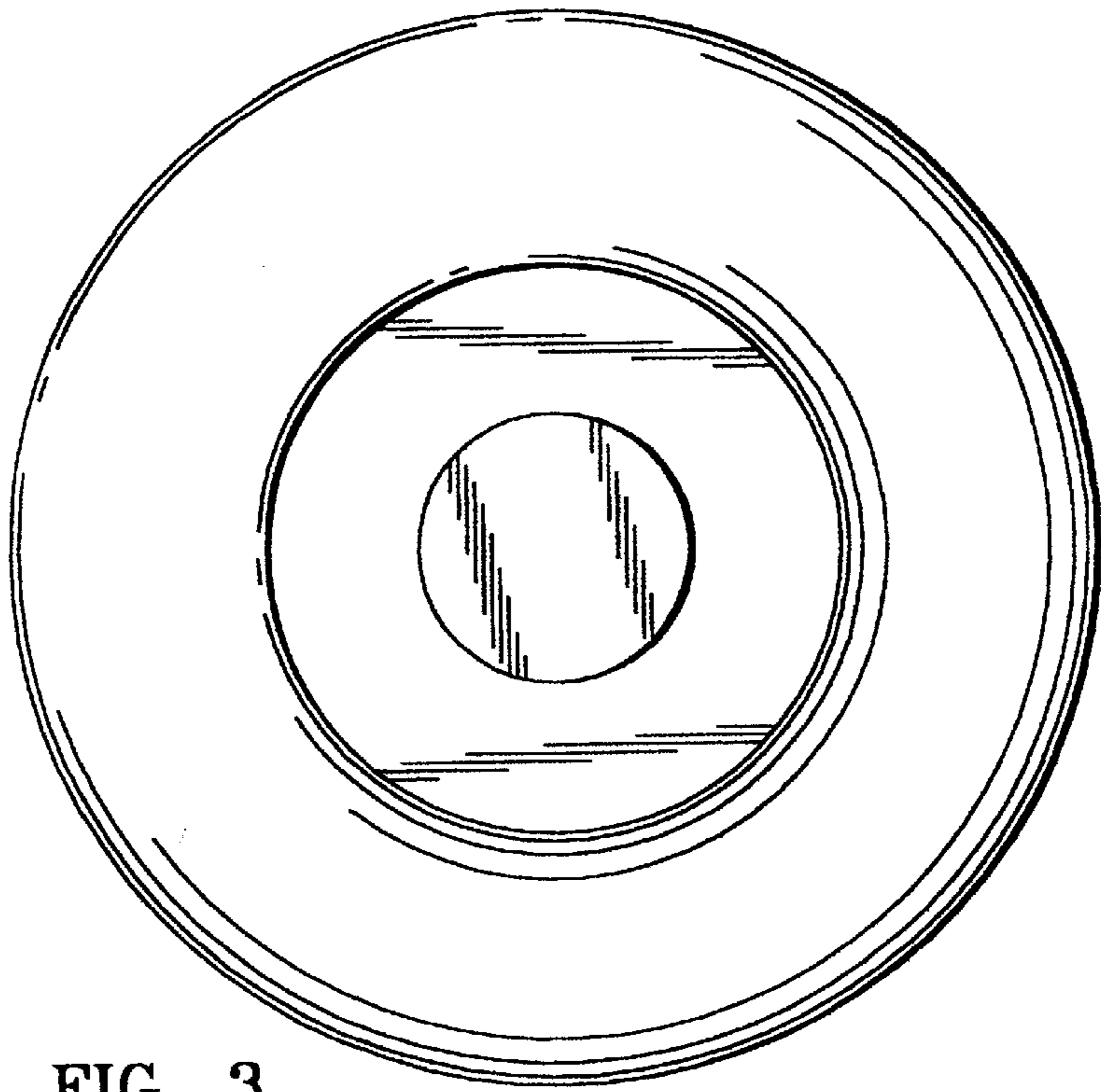


FIG. 3

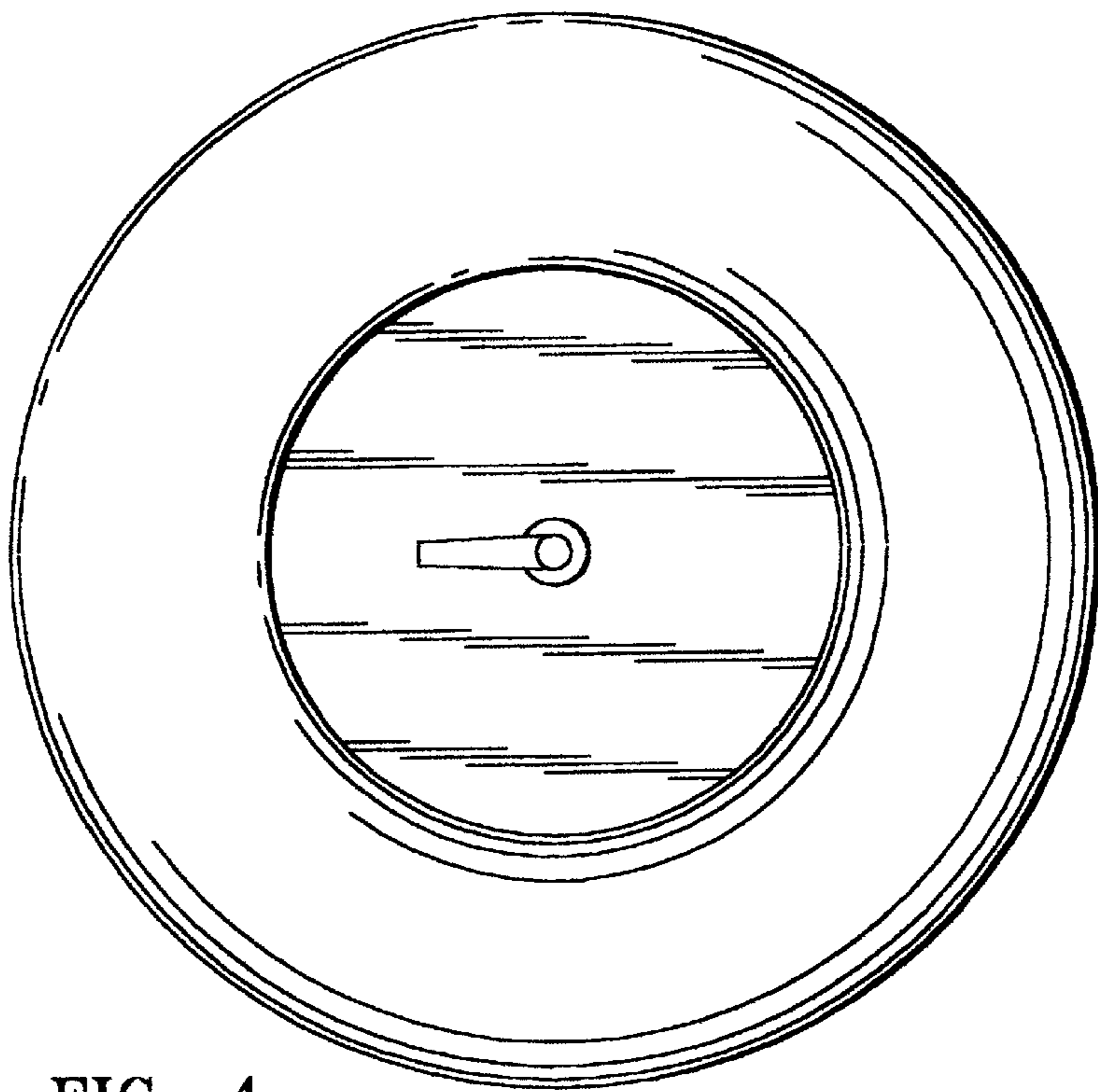


FIG. 4