



US00D438828S

(12) **United States Design Patent**
Thomas

(10) **Patent No.:** **US D438,828 S**

(45) **Date of Patent:** **** Mar. 13, 2001**

(54) **BALL HITCH STEM**

(75) Inventor: **William J. Thomas**, Riverview, MI (US)

(73) Assignee: **Valley Industries LLC**, Lodi, CA (US)

(**) Term: **14 Years**

(21) Appl. No.: **29/107,961**

(22) Filed: **Jul. 16, 1999**

(51) **LOC (7) Cl.** **12-16**

(52) **U.S. Cl.** **D12/162**

(58) **Field of Search** D12/161, 162;
280/507, 510-513; D8/387

(56) **References Cited**

U.S. PATENT DOCUMENTS

D. 342,472	*	12/1993	Harper	D12/162
D. 370,881		6/1996	Thomas	.	
D. 375,065	*	10/1996	Duvernay et al.	D12/162
D. 415,986	*	11/1999	Stech	D12/162
4,060,331	*	11/1977	Domer et al.	280/511 X
4,596,406		6/1986	Van Vleet et al.	.	
4,889,356	*	12/1989	Morris	280/511 X
4,938,496	*	7/1990	Thomas et al.	280/511
5,040,817	*	8/1991	Dunn	280/511
5,085,452	*	2/1992	Janeiro	280/511
5,116,072	*	5/1992	Swenson	280/511
5,169,168	*	12/1992	Harry et al.	280/511
5,290,057	*	3/1994	Pellerito	280/507

OTHER PUBLICATIONS

Valley Industries, "Ball Mounts," Catalogue Page, Date Unknown, pp. B 13-B 14.

Titan Industries, "Adapt Hitch Ball, Interchangeable Trailer Hitch Ball System," Brochure, Date Unknown, pp. 1-4, Wyandotte, MI.

* cited by examiner

Primary Examiner—Stacia Cadmus

(74) *Attorney, Agent, or Firm*—Rader, Fishman & Grauer PLLC

(57) **CLAIM**

The ornamental design for a ball hitch stem, as shown and described.

DESCRIPTION

FIG. 1 is a front perspective view of a ball hitch stem showing my new design;

FIG. 2 is front elevational view thereof, with the rear elevational view being a mirror image of FIG. 2;

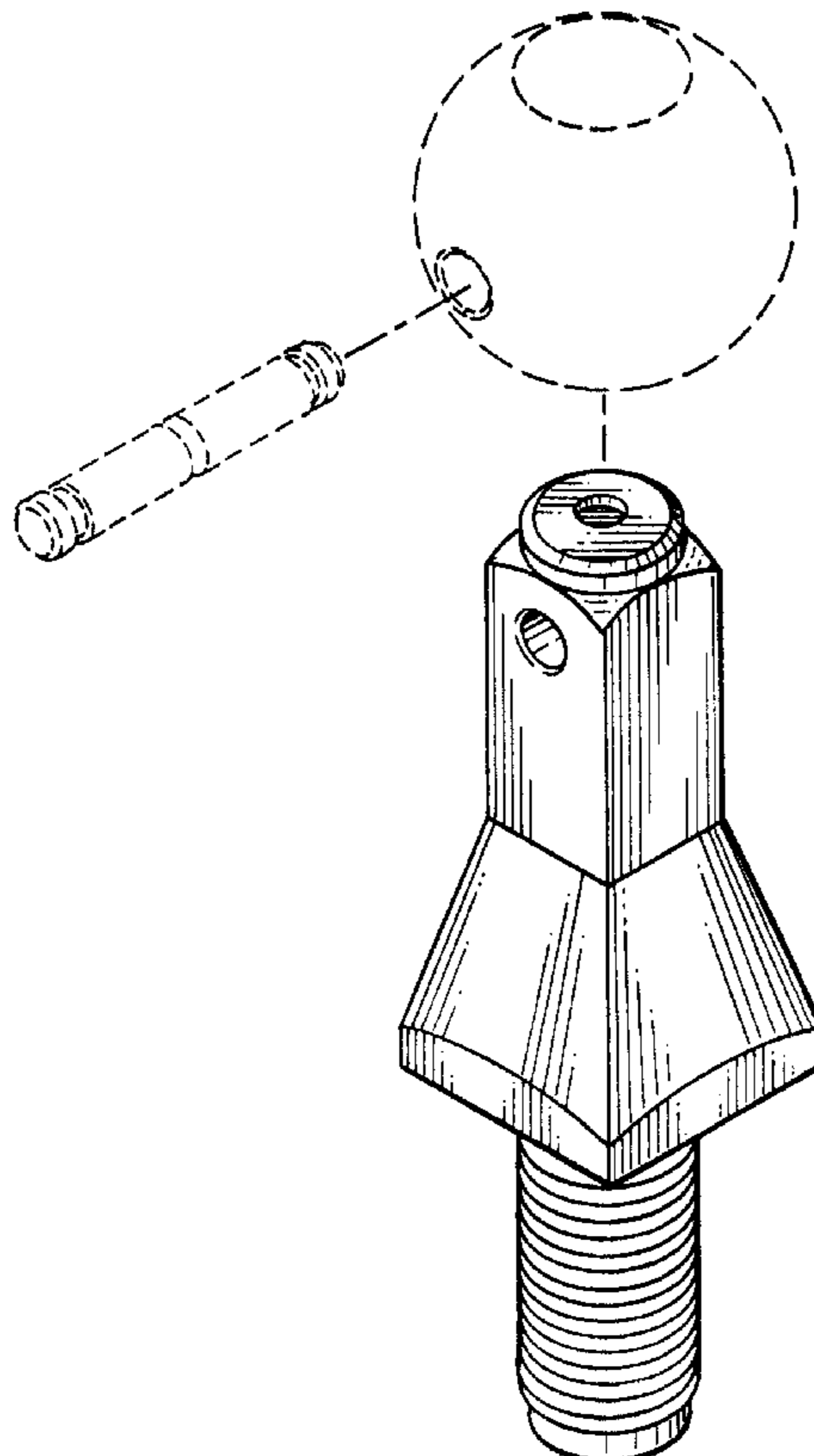
FIG. 3 is a right side elevational view thereof, with the left side elevational view being a mirror image of FIG. 3;

FIG. 4 is a top plan view thereof; and,

FIG. 5 is a bottom plan view thereof.

The broken line showing of environment is for illustrative purposes only and forms no part of the claimed design.

1 Claim, 1 Drawing Sheet



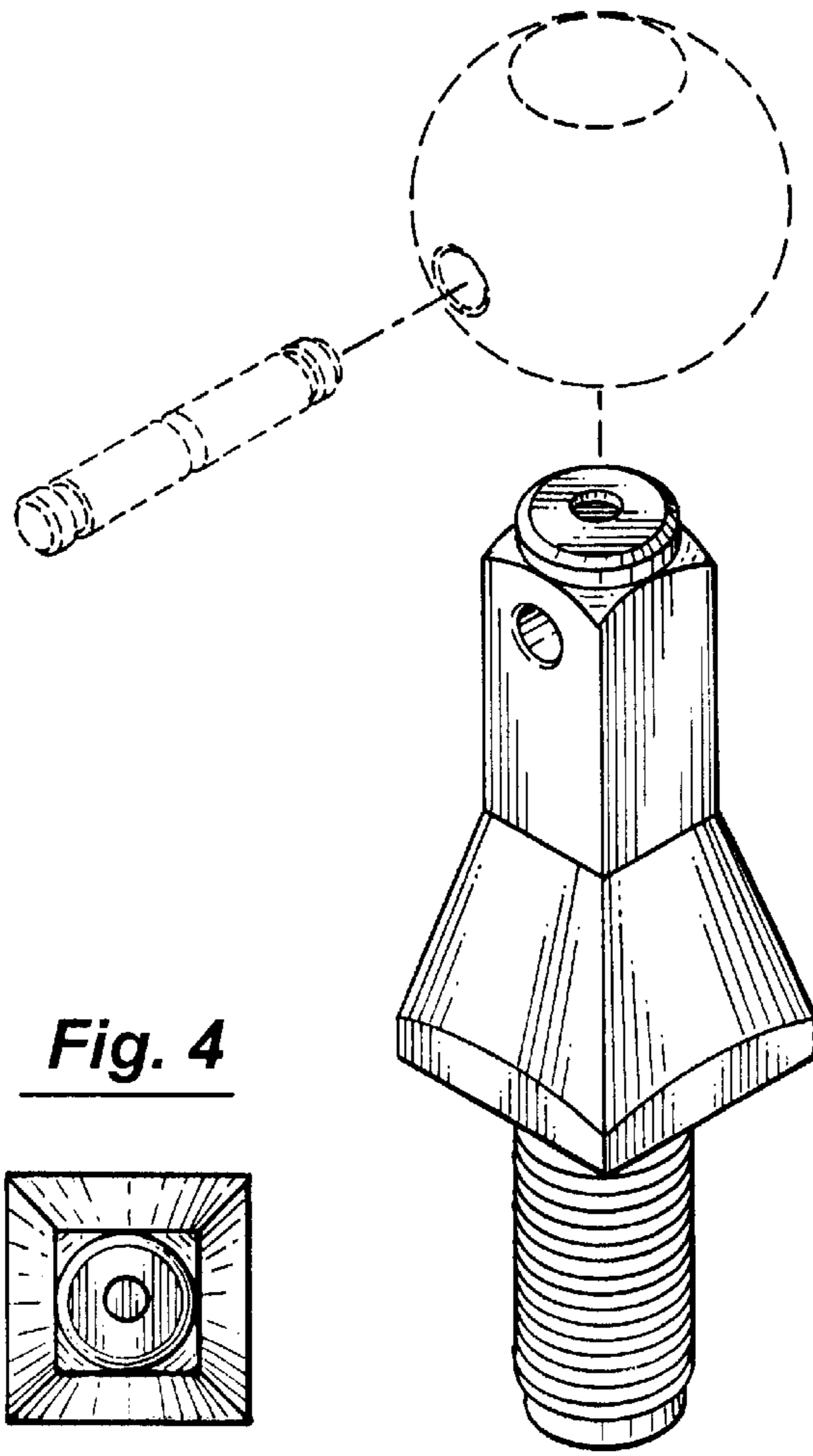


Fig. 1

Fig. 4

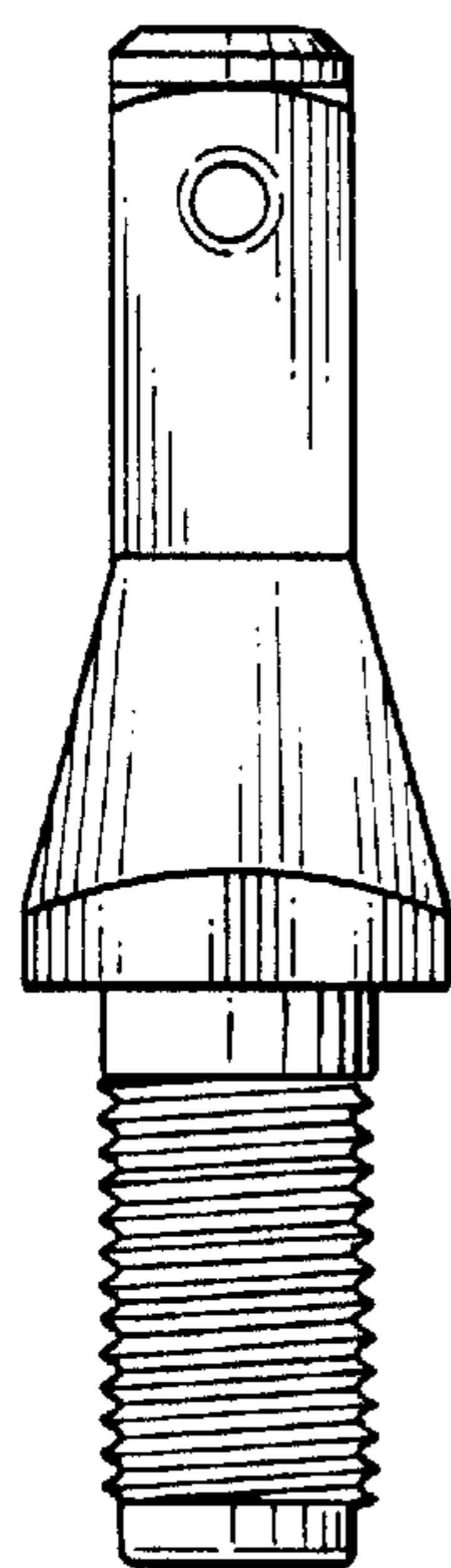
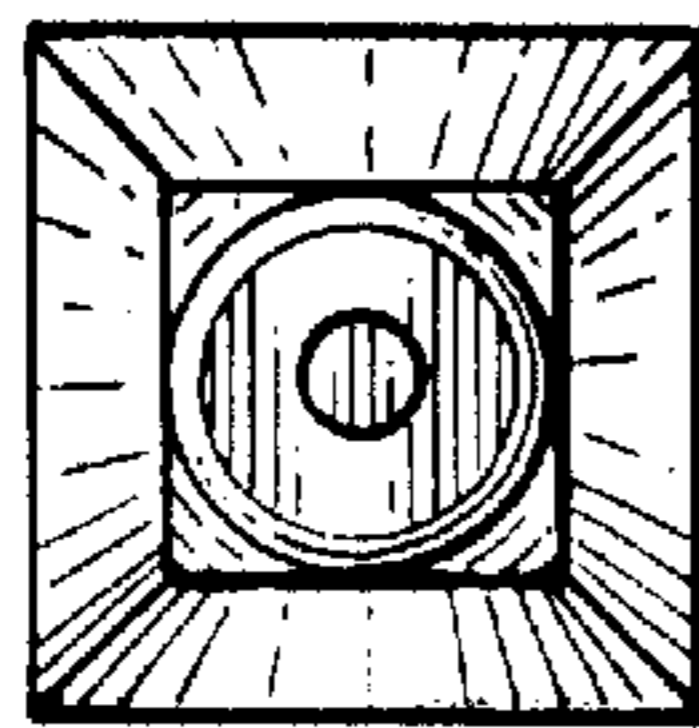


Fig. 2

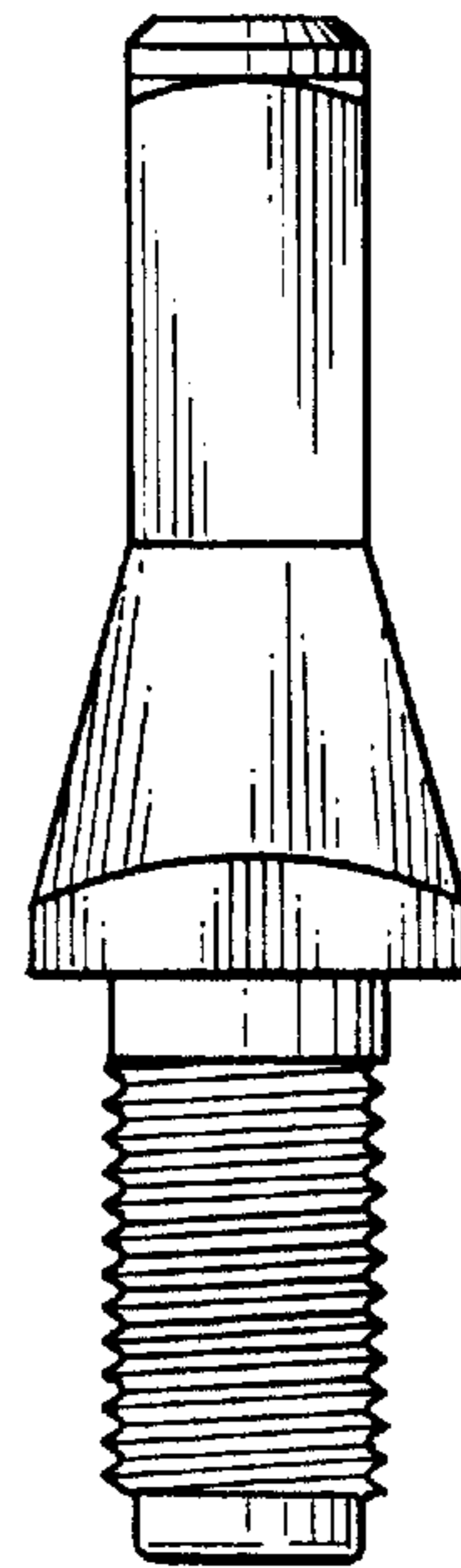


Fig. 3

Fig. 5

