



US00D438825S

(12) **United States Design Patent**  
**Tsuboi et al.**

(10) **Patent No.:** **US D438,825 S**

(45) **Date of Patent:** **\*\* Mar. 13, 2001**

(54) **POWER UNIT FOR BICYCLE**

(75) Inventors: **Masaharu Tsuboi; Seishi Miura**, both of Saitama (JP)

(73) Assignee: **Honda Giken Kogyo Kabushiki Kaisha**, Tokyo (JP)

(\*\*) Term: **14 Years**

(21) Appl. No.: **29/114,859**

(22) Filed: **Dec. 3, 1999**

(30) **Foreign Application Priority Data**

Jun. 4, 1999 (JP) ..... 11-14496

(51) **LOC (7) Cl.** ..... **12-11**

(52) **U.S. Cl.** ..... **D12/114; D12/111; D12/117**

(58) **Field of Search** ..... **D12/111, 110, D12/114, 117; 180/219; 280/284, 288.4**

(56) **References Cited**

**U.S. PATENT DOCUMENTS**

- D. 302,801 \* 8/1989 Lacroix ..... D12/110
- D. 402,925 \* 12/1998 Kino et al. .... D12/110
- D. 406,253 \* 3/1999 Yamashita et al. .... D12/110

- D. 414,721 \* 10/1999 Nakamura ..... D12/111
- D. 425,465 \* 5/2000 Pink et al. .... D12/180

\* cited by examiner

*Primary Examiner*—Melody N. Brown

(57) **CLAIM**

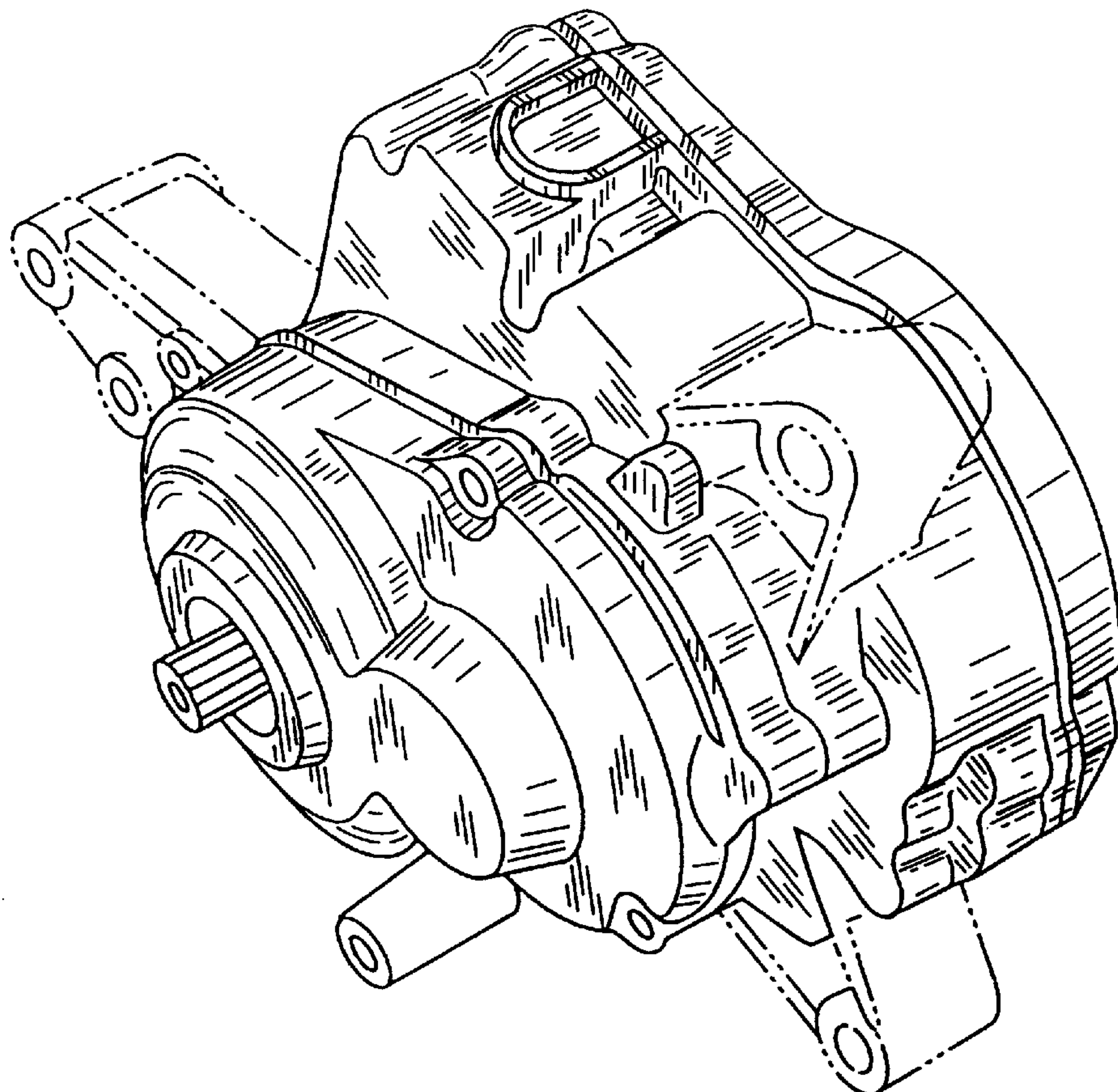
The ornamental design for a power unit for bicycle, as shown and described.

**DESCRIPTION**

FIG. 1 is a rear right perspective view of a power unit for bicycle showing my new design;  
 FIG. 2 is a front right perspective view thereof;  
 FIG. 3 is a front left perspective view thereof;  
 FIG. 4 is a rear left perspective view thereof;  
 FIG. 5 is a bottom view thereof;  
 FIG. 6 is a top plan view thereof;  
 FIG. 7 is a rear elevational view thereof;  
 FIG. 8 is a front elevational view thereof;  
 FIG. 9 is a right side elevational view thereof; and,  
 FIG. 10 is a left side elevational view thereof.

The portions of the power unit shown in broken lines are for illustrative purpose only and form no part of the claimed design.

**1 Claim, 10 Drawing Sheets**



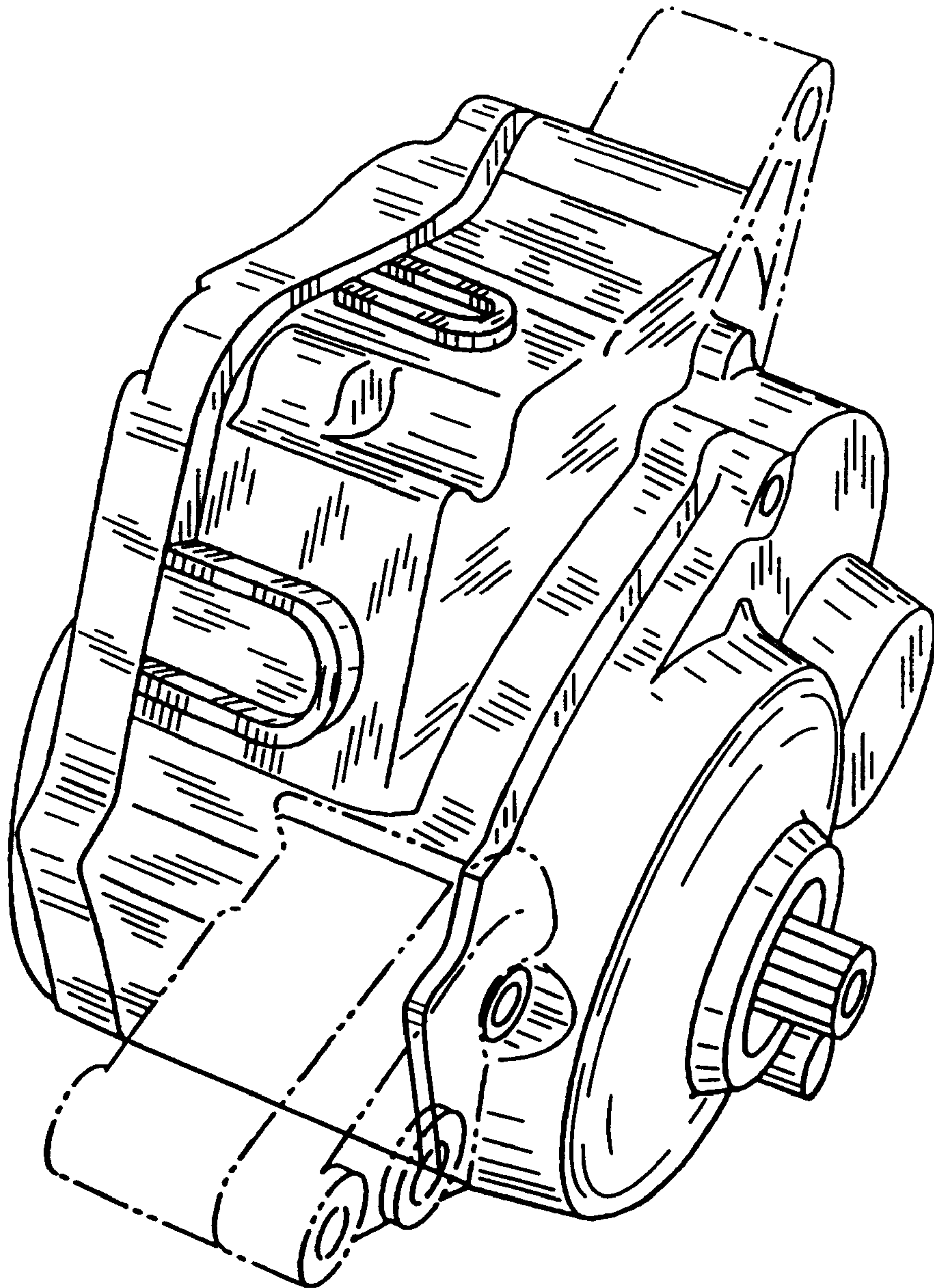


Fig. 1



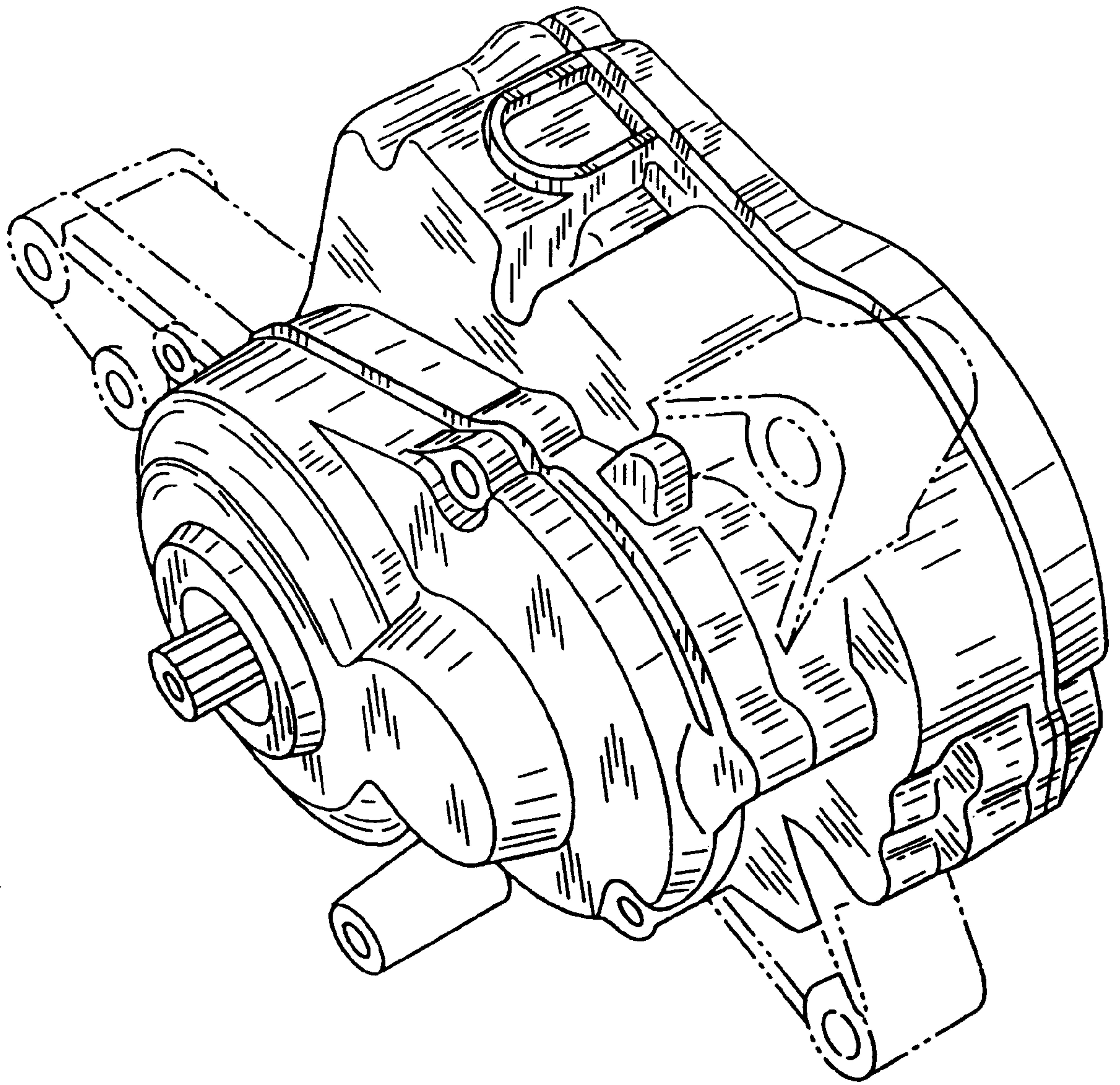


Fig. 2

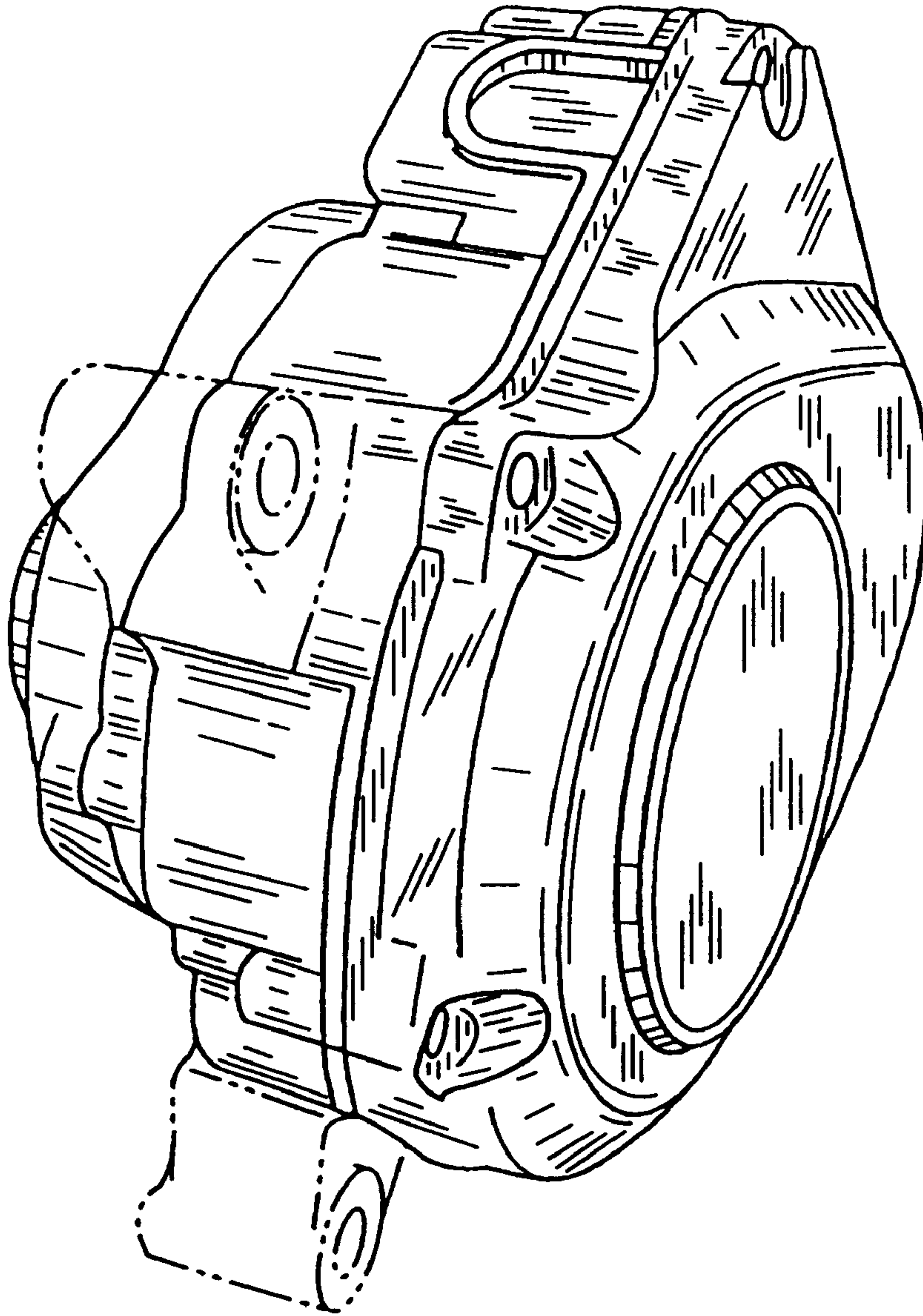


Fig. 3

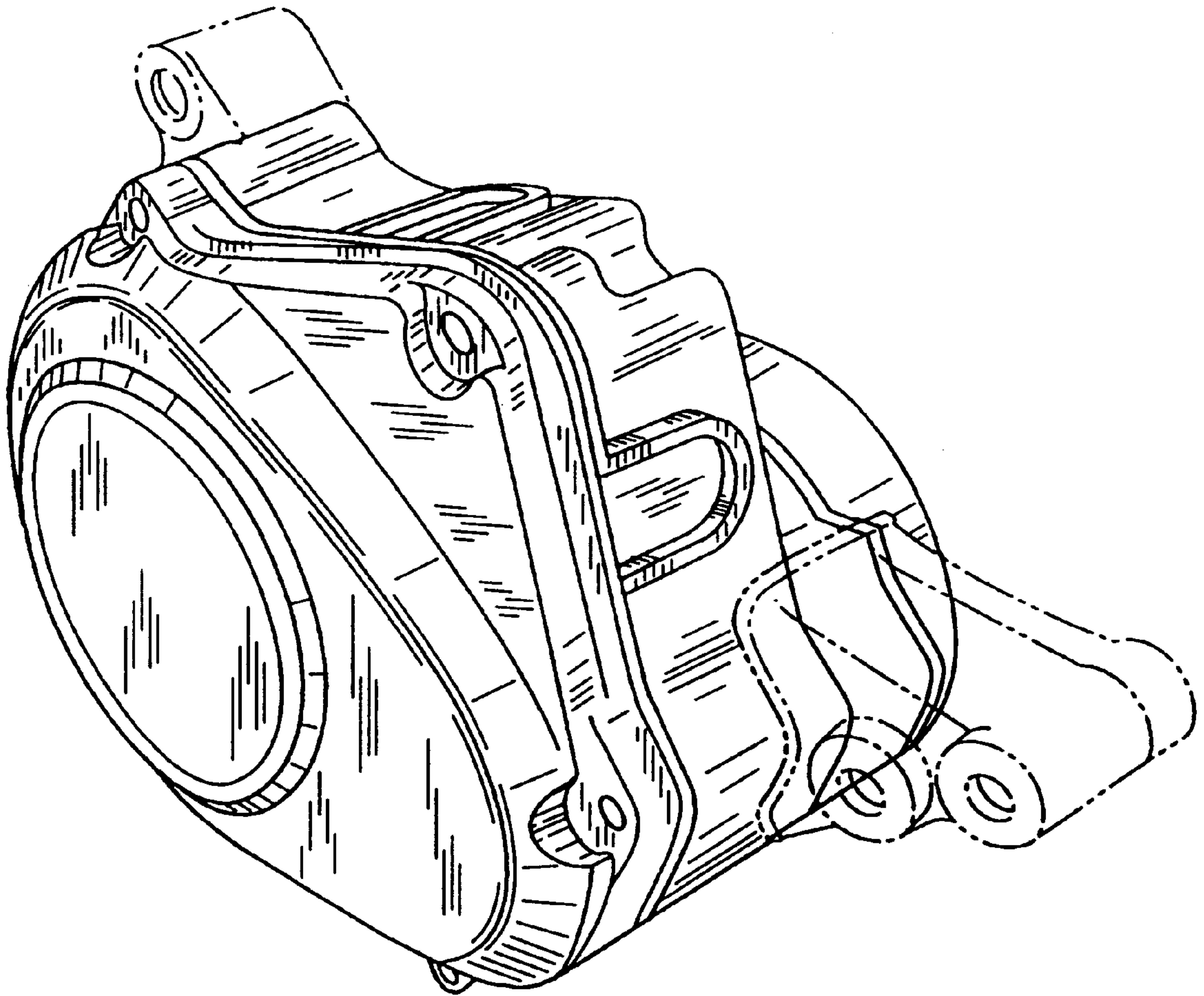


Fig. 4

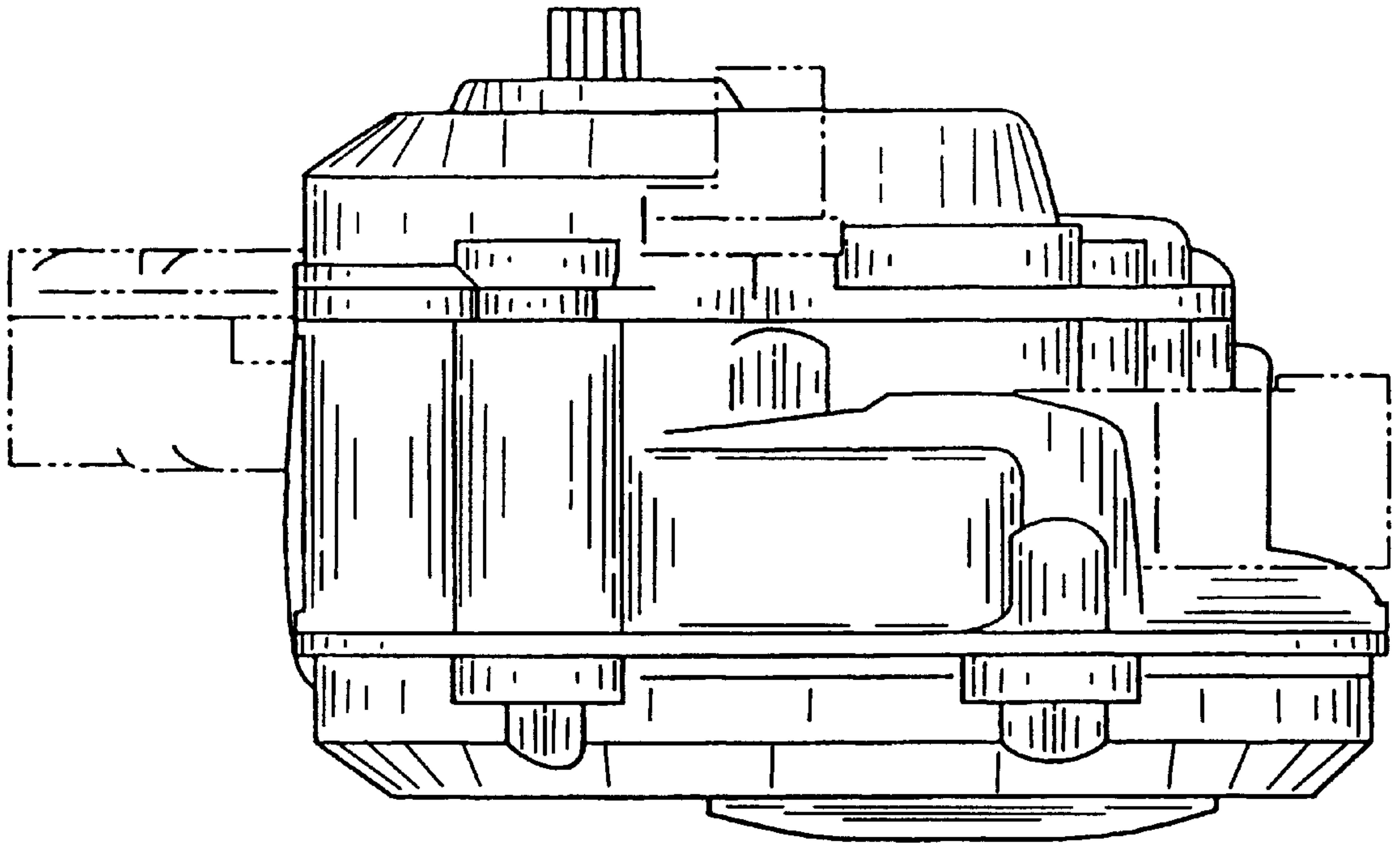


Fig. 5

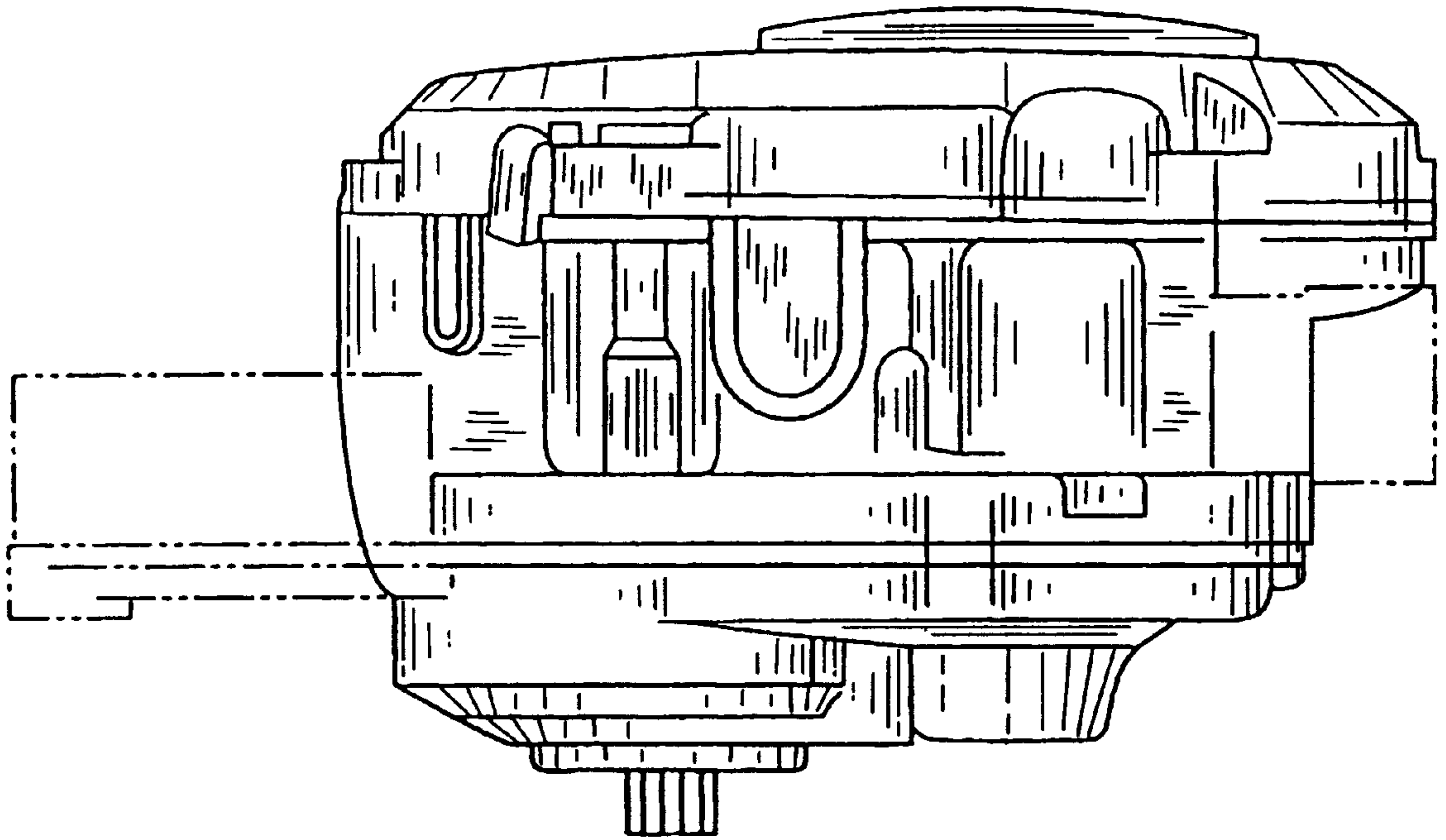


Fig. 6



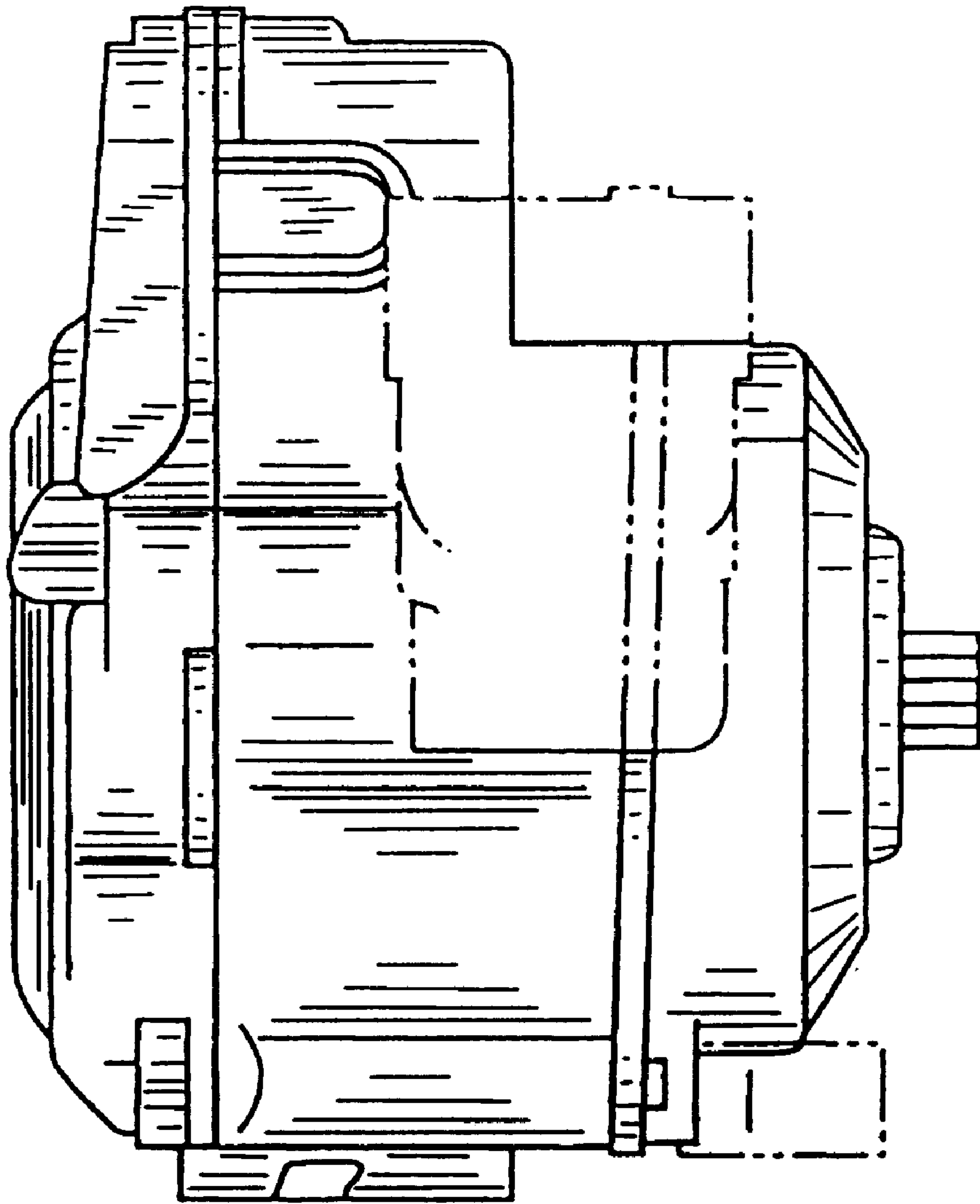


Fig. 7



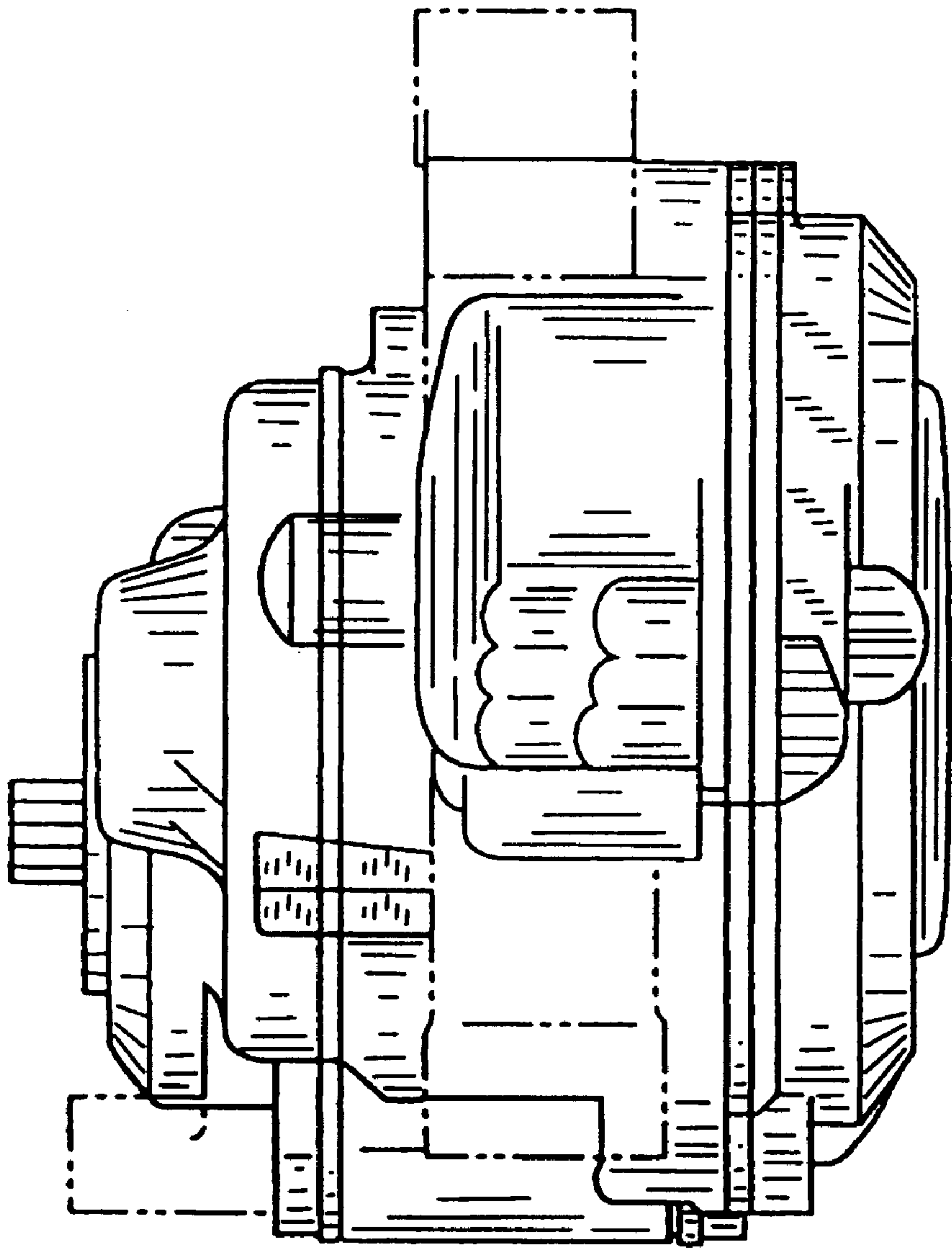


Fig. 8

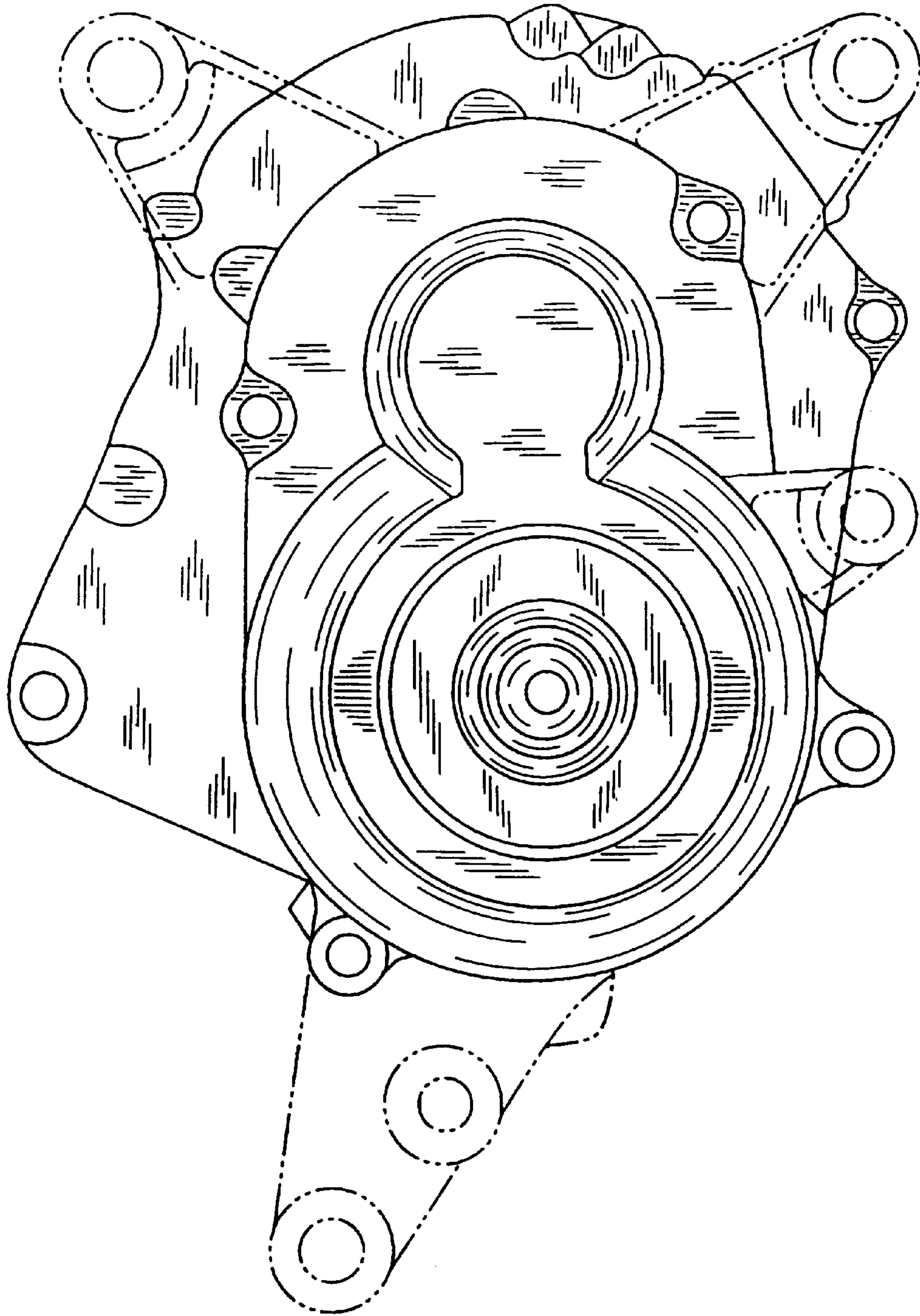


Fig. 9

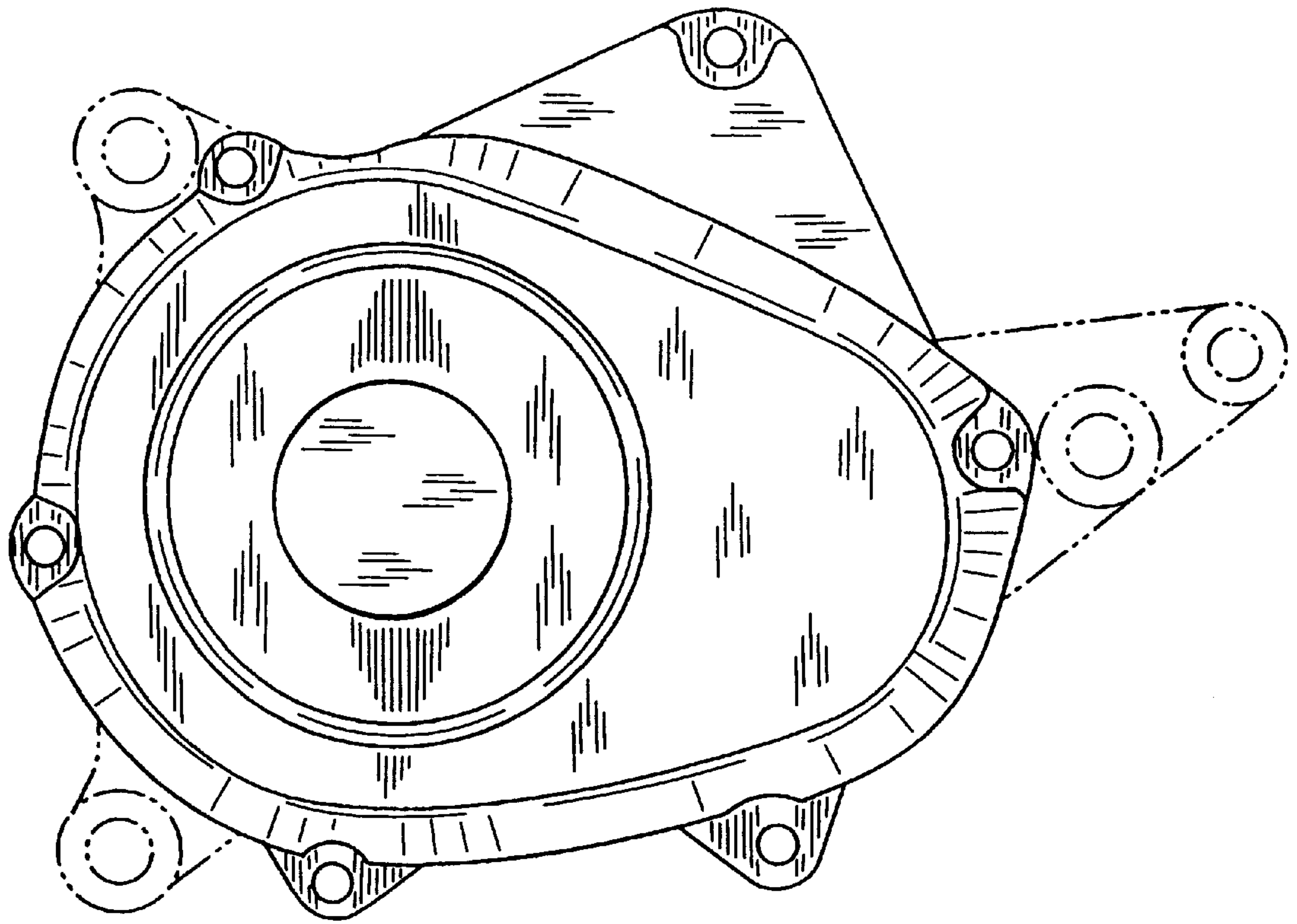


Fig. 10