



US00D438824S

(12) **United States Design Patent**
Archie

(10) **Patent No.:** **US D438,824 S**

(45) **Date of Patent:** **** Mar. 13, 2001**

(54) **BICYCLE TRAINING AID**

5,338,204 * 8/1994 Herndon 280/293

(76) Inventor: **Darrell K Archie**, 2175 Decoto Rd.
#130, Unino City, CA (US) 94587

* cited by examiner

Primary Examiner—Melody N. Brown

(**) Term: **14 Years**

(57) **CLAIM**

(21) Appl. No.: **29/111,371**

The ornamental design for a bicycle training aid, as shown.

(22) Filed: **Sep. 24, 1999**

DESCRIPTION

(51) **LOC (7) Cl.** **12-11**

FIG. 1 is a front elevational view of the bicycle training aid of the present invention;

(52) **U.S. Cl.** **D12/114**

FIG. 2 is a back elevational view of the bicycle training aid of FIG. 1;

(58) **Field of Search** D12/114, 111-113,
D12/117, 411; 280/288.4, 202, 204, 282,
292, 293

FIG. 3 is a left side elevational view of the bicycle training aid of FIG. 1;

(56) **References Cited**

FIG. 4 is a right side elevational view of the bicycle training aid of FIG. 1;

U.S. PATENT DOCUMENTS

FIG. 5 is a top plan view of the bicycle training aid of FIG. 1; and,

- D. 355,870 * 2/1995 Dieudonne D12/112
- D. 367,832 * 3/1996 Melita D12/114
- D. 377,364 * 1/1997 DeFeo D12/114
- D. 384,602 * 10/1997 Anderberg D12/114
- 5,306,030 * 4/1994 Becka 280/282

FIG. 6 is a bottom plan view of the bicycle training aid of FIG. 1.

1 Claim, 3 Drawing Sheets

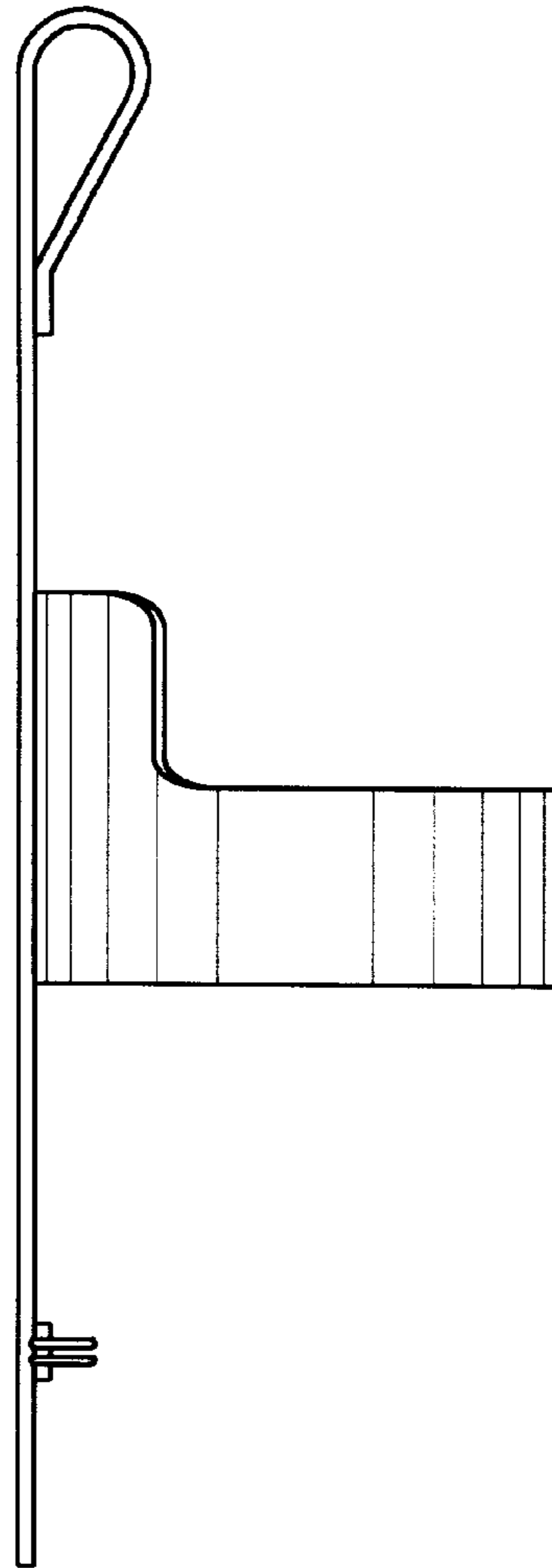
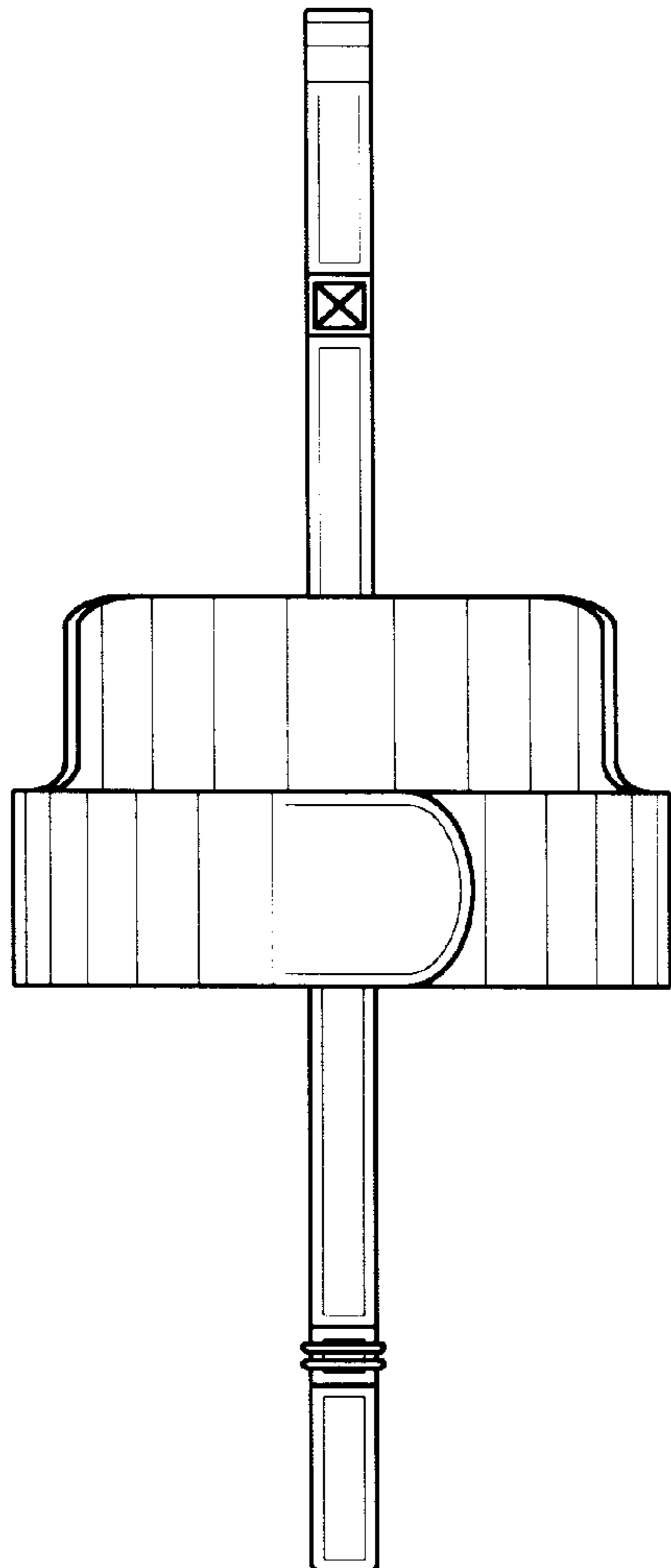


Fig. 1

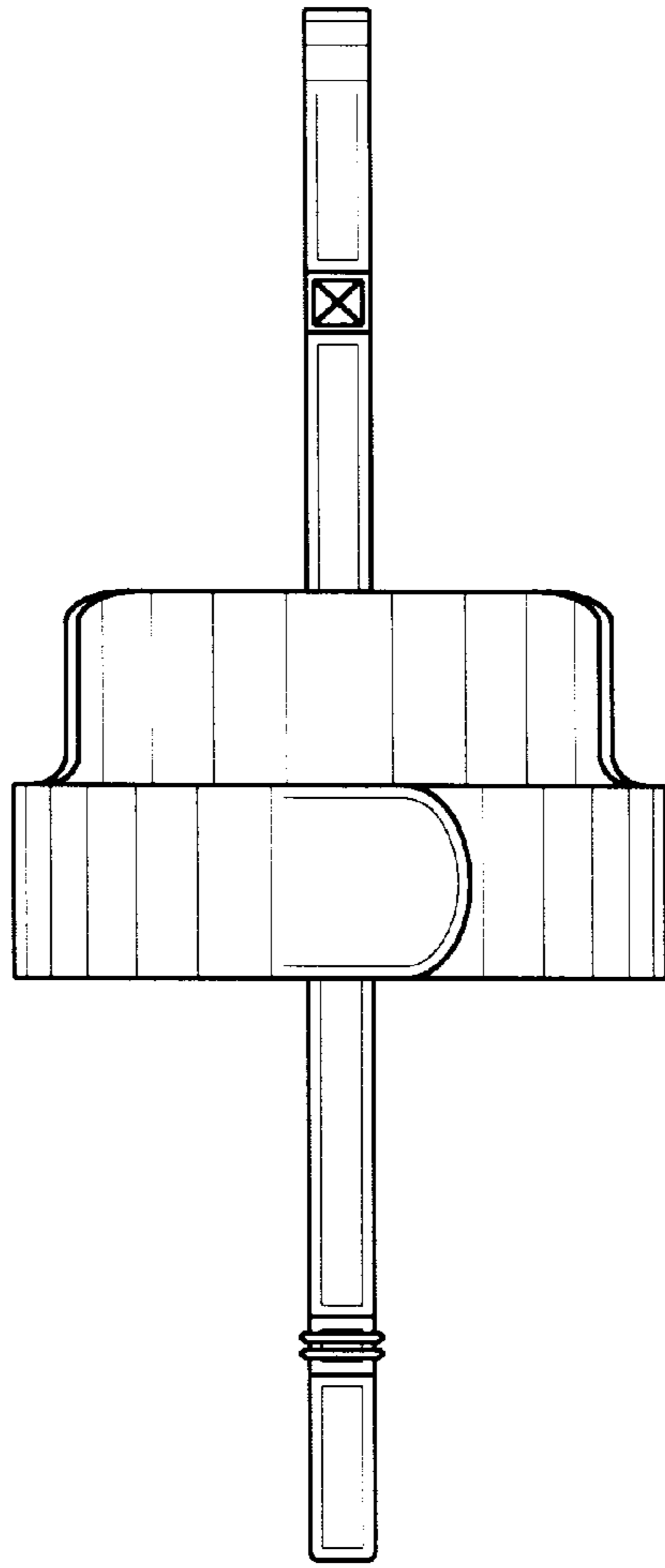
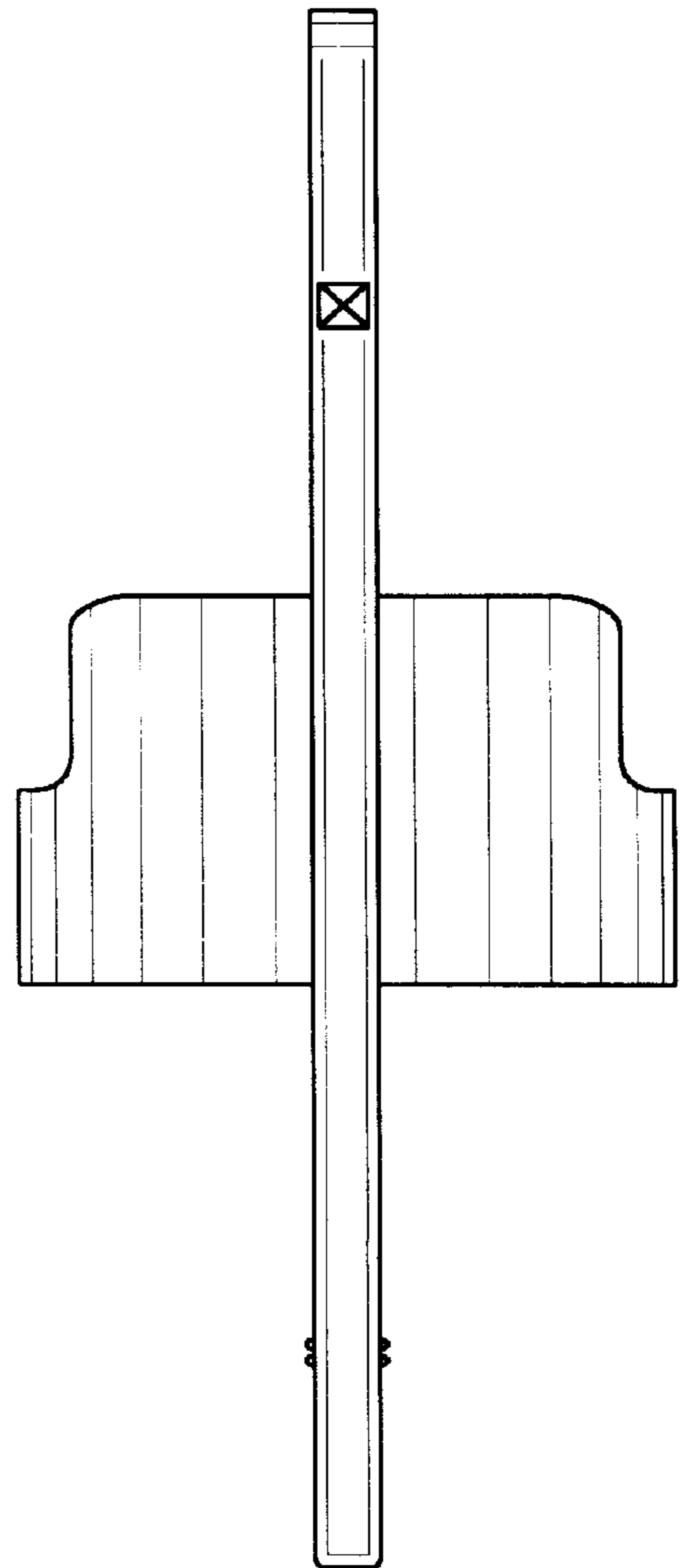


Fig. 2



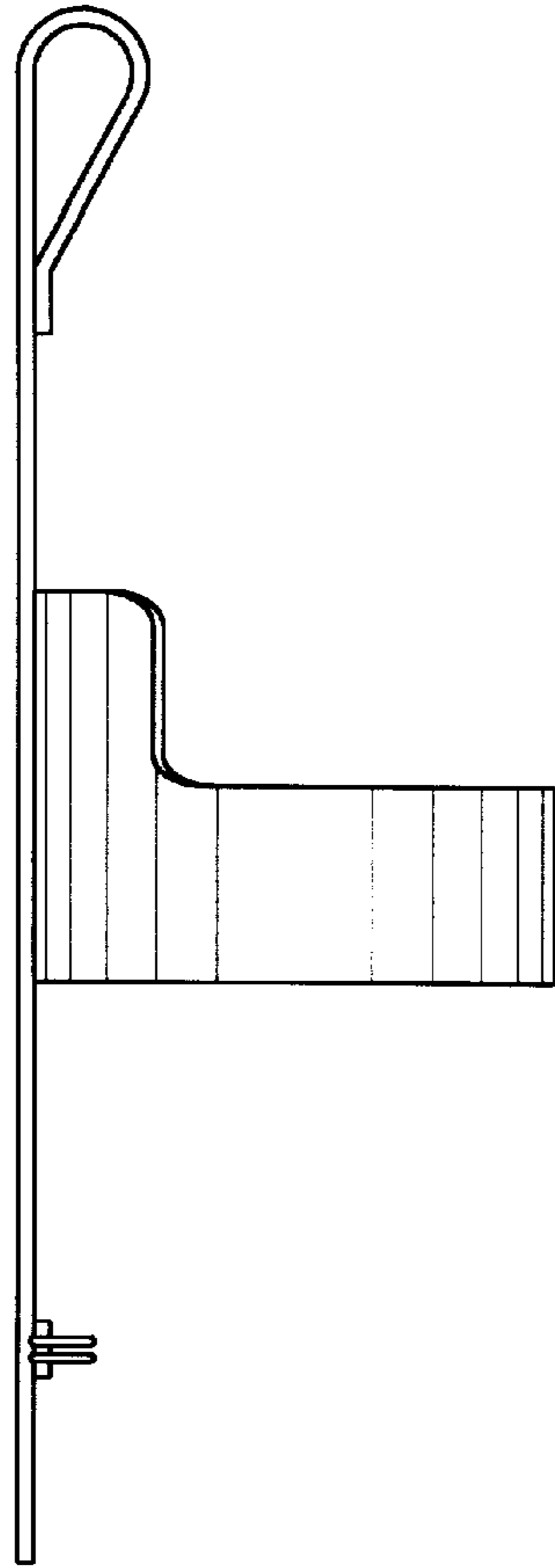


Fig. 3

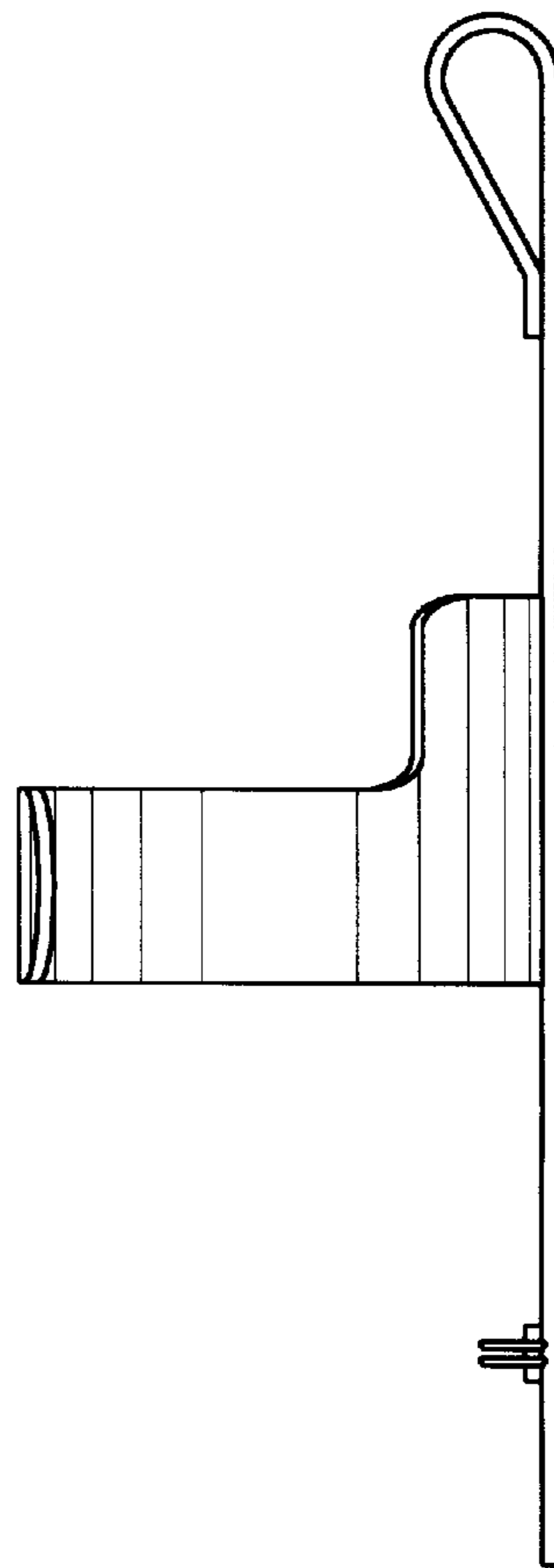


Fig. 4

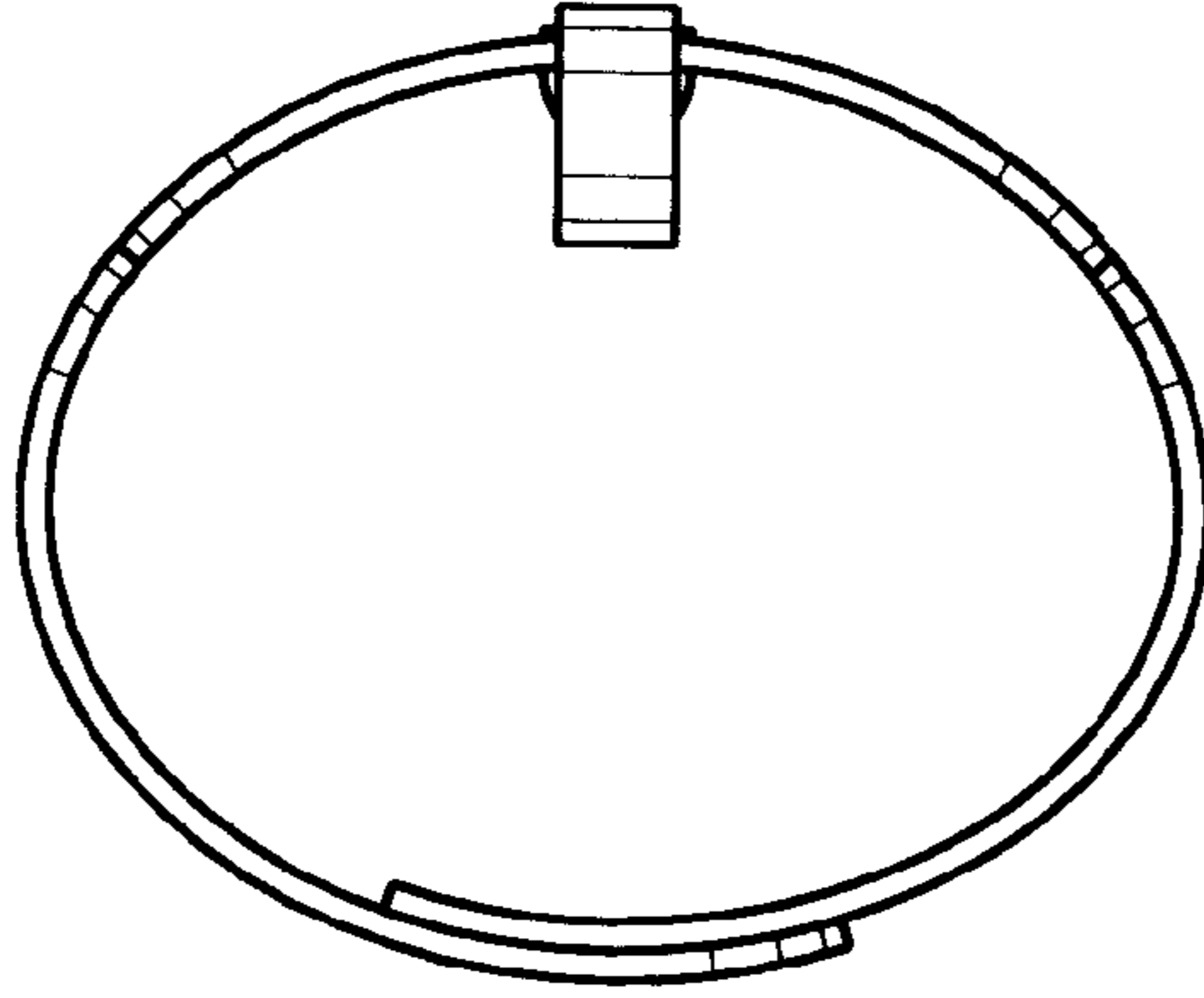


Fig. 5

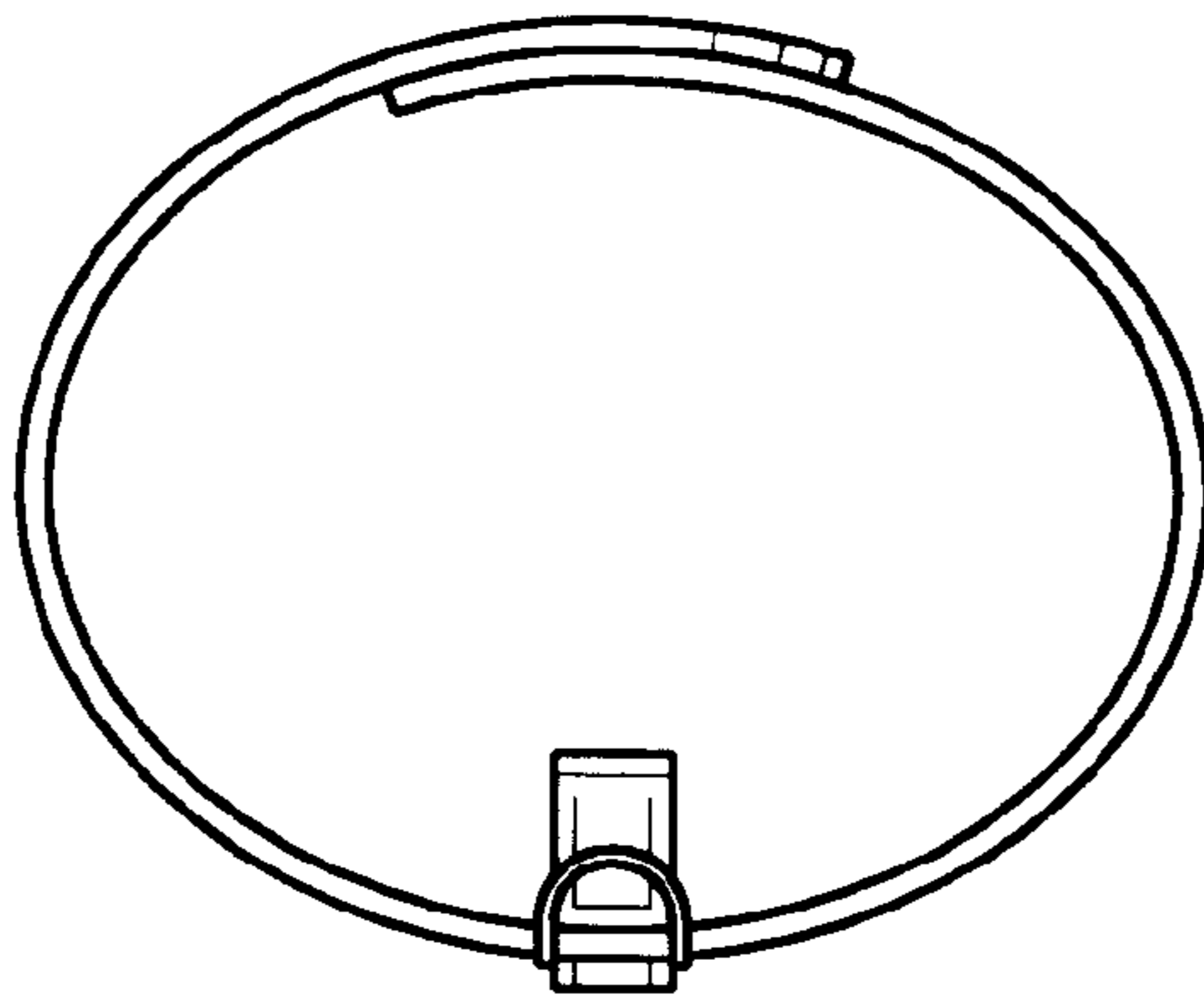


Fig. 6